

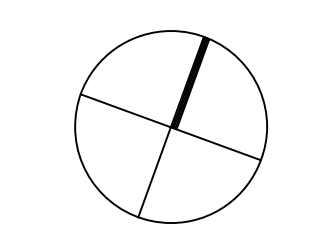
CENTRAL FALLS HIGH SCHOOL
10 HIGGINSON AVE, CENTRAL FALLS, RI

KEYNOTE LEGEND:

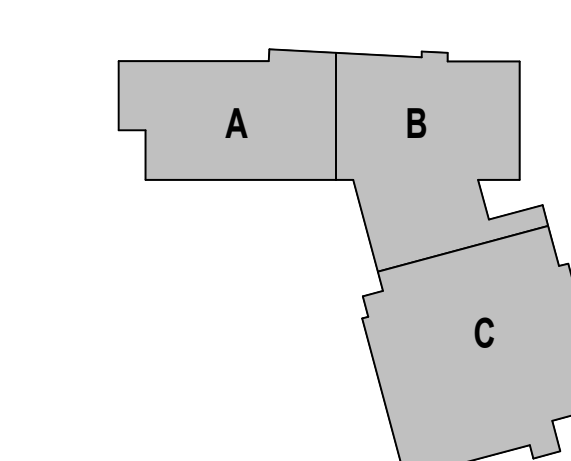
- 03 30 00 02 CONCRETE SLAB ON GRADE - SEE STRUCTURAL
- 03 30 00 05 CONCRETE FOUNDATION - SEE STRUCTURAL
- 03 30 00 11 EXPANDABLE JOINT FILLER
- 04 20 00 10 CMU BASE - GROUND FACE CMU - REFERENCE DETAILS FOR TYPE AND DEPTH
- 04 20 00 50 MASONRY MORTAR
- 04 20 00 51 GROUT FILL
- 04 20 00 61 TYPICAL MASONRY ANCHORTIES - REFERENCE SPECIFICATION FOR SPACING
- 04 20 00 66 WEEP HOLES - 24 INCHES O.C.
- 04 20 00 68 AIR SPACE - MAINTAIN CLEAR OF MORTAR
- 05 40 00 06 STEEL STUDS - 6 INCH - 16 INCHES O.C. MAX
- 05 16 00 01 GYPSUM EXTERIOR SHEATHING - 5/8 INCH
- 07 21 00 02 RIGID INSULATION - 2 INCH - UNDER SLAB - HIGH COMPRESSIVE STRENGTH
- 07 21 00 20 GLASS FIBER BLANKET INSULATION - MATCH DEPTH OF STUD - UNFACED
- 07 21 00 50 MINERAL WOOL INSULATION - RIGID - EXTERIOR - 2 INCH
- 07 28 00 01 VAPOR RETARDER - UNDER SLAB
- 07 27 13 01 AIR/VAPOR BARRIER MEMBRANE - SELF-ADHERING
- 07 27 13 05 AIR/VAPOR BARRIER TRANSITION MEMBRANE - SELF-ADHERING
- 07 27 13 10 WATERPROOF MEMBRANE FLASHING
- 07 27 13 20 FLASHING - STAINLESS STEEL
- 07 92 00 01 JOINT SEALANT - TYPE AS REQUIRED
- 08 11 13 01 DOOR AND FRAME - SEE DOOR SCHEDULE
- 08 43 13 02 ALUMINUM ENTRANCE DOOR
- 08 43 15 01 BULLET-RESISTANT ALUMINUM FRAMED STOREFRONT
- 08 43 15 71 BACKER ROD & SEALANT
- 08 44 13 01 ALUMINUM CURTAIN WALL FRAME
- 08 44 13 02 ALUMINUM ENTRANCE DOOR
- 08 44 13 20 SEALANT & BACKER ROD
- 08 44 13 21 SILICONE SHEET MEMBRANE - GLAZE INTO SYSTEM - CONTINUOUS BEAD OF SEALANT TO SEAL TO AWB
- 09 71 00 11 ALUMINUM THRESHOLD
- 09 22 16 03 METAL STUD 3-5/8 INCH - 16 INCHES O.C. MAX
- 09 29 00 01 5/8 INCH GYPSUM BOARD - LEVEL 4 FINISH - 1 LAYER
- 09 65 13 01 RUBBER BASE - 4 INCH
- 09 72 16 01 VINYL WALL CLADDING - REFERENCE ELEVATIONS FOR TYPE
- 09 91 00 01 PAINT - SEE SCHEDULE
- 12 48 13 01 RECESSED ENTRANCE MAT - REFERENCE DRAWINGS FOR SIZE
- 12 48 13 05 EXTRUDED ALUMINUM RECESSED FINISH - Z SHAPE
- 32 13 13 01 SIDEWALK - SEE CHILLANDSCAPE

100% CONSTRUCTION DOCUMENTS

KEY PLAN NORTH ARROW



KEYPLAN



DRAWING NAME:

VERTICAL BASE DETAILS

DRAWN BY: BFC

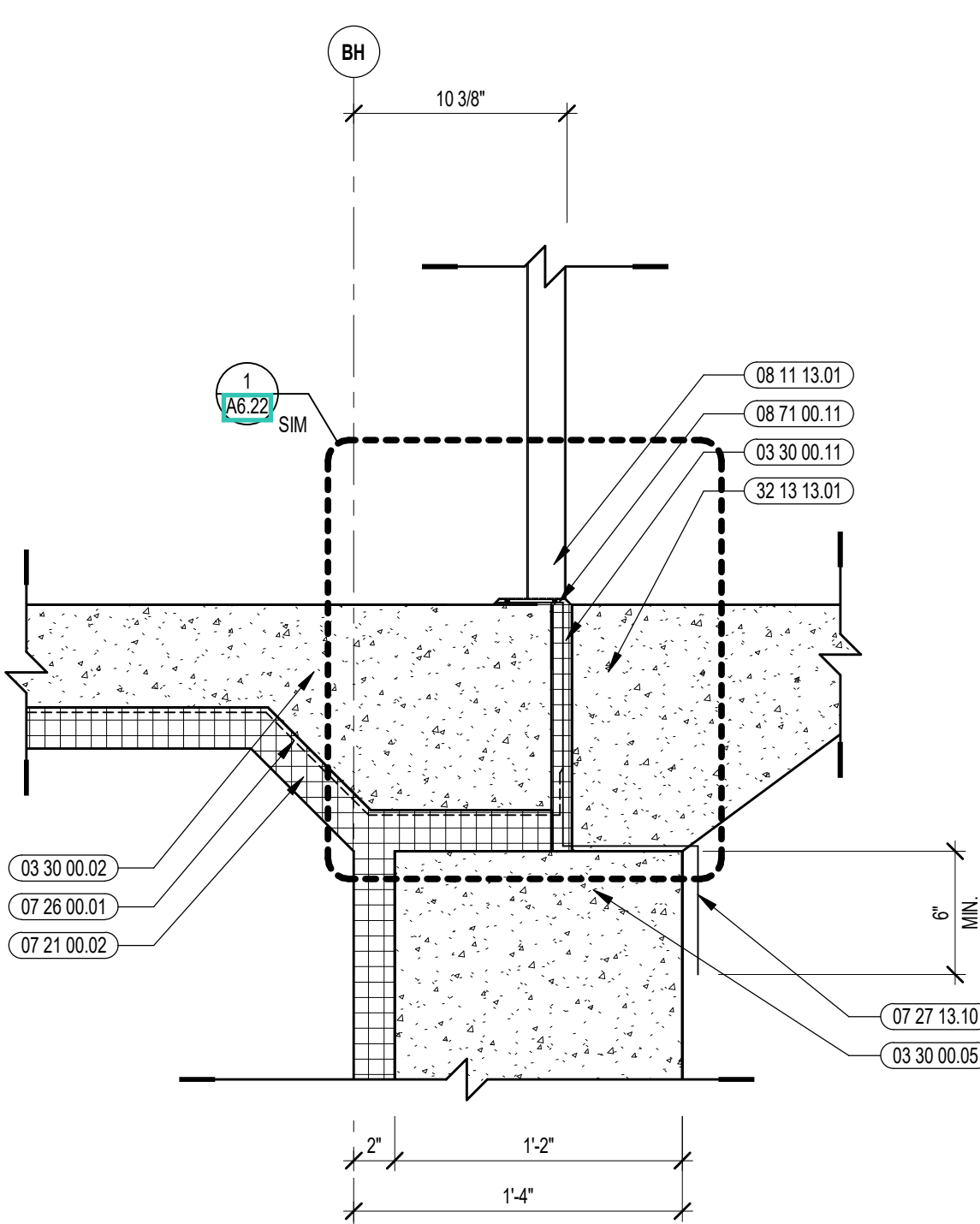
REVIEWED BY: CHR/KK

SCALE: AS INDICATED | DRAWING NUMBER:

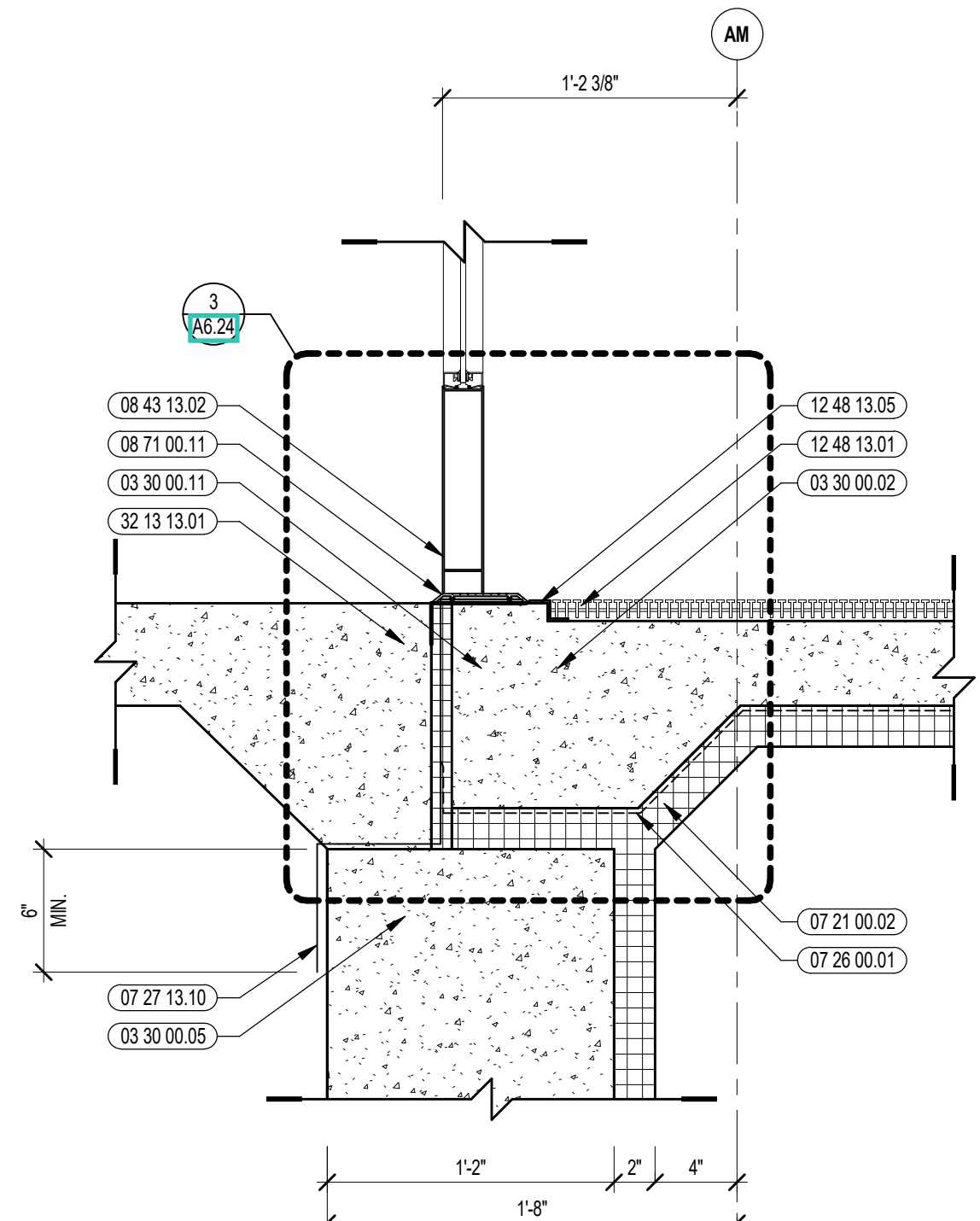
JOB NO.: 2202.02

DATE: OCTOBER 13, 2023

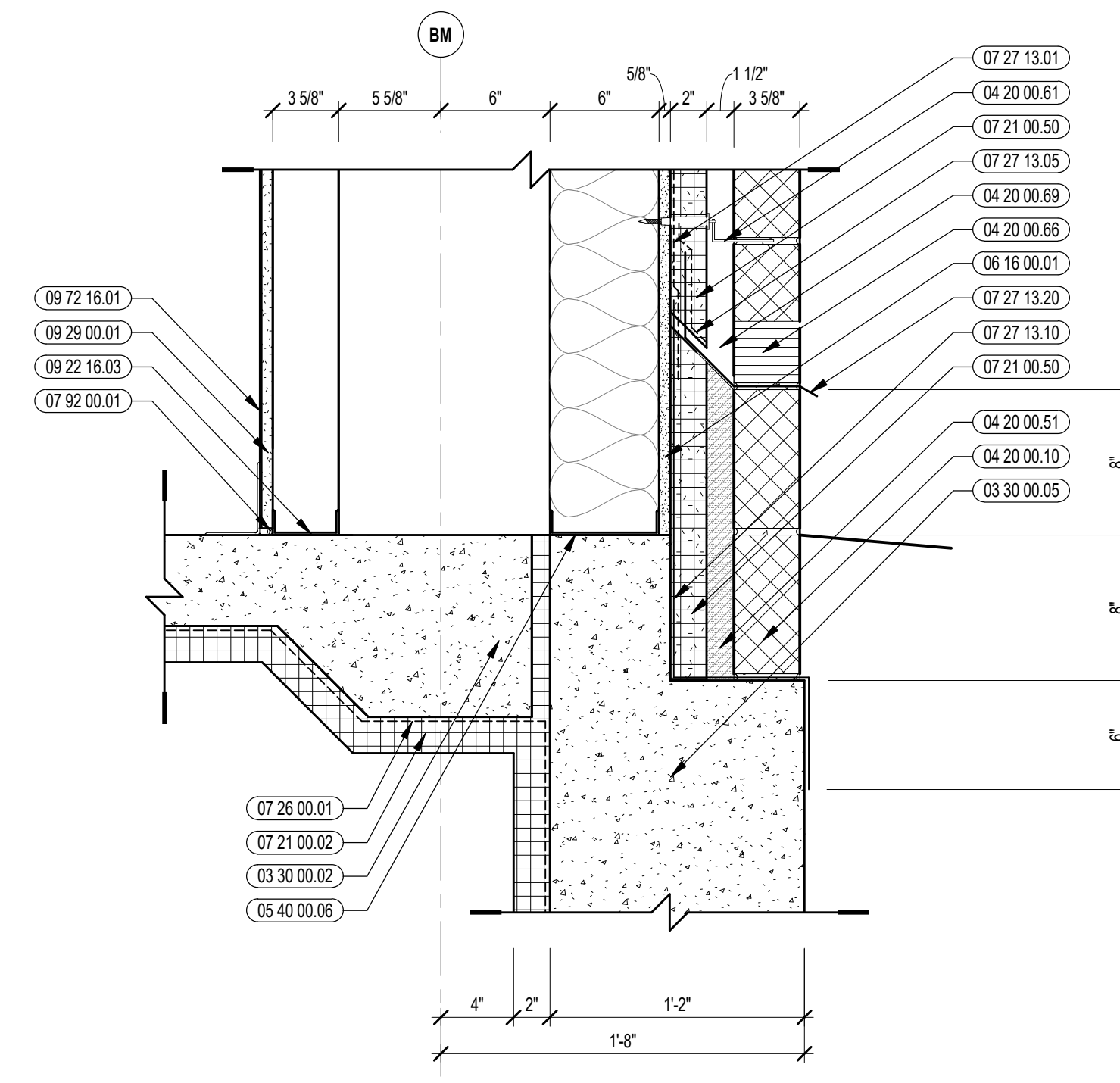
A5.01



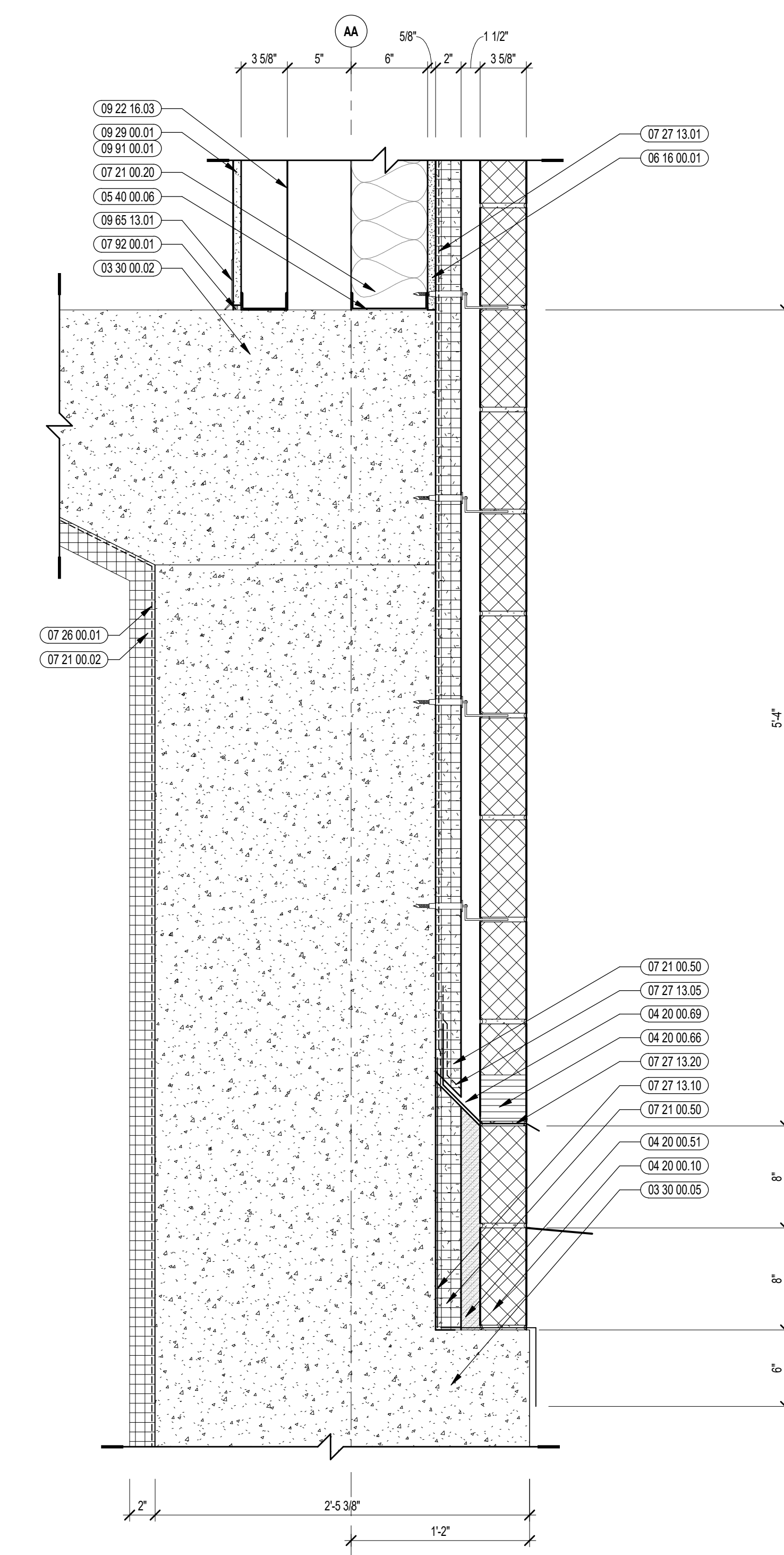
11 VERTICAL DETAIL
1 1/2" = 1'-0"



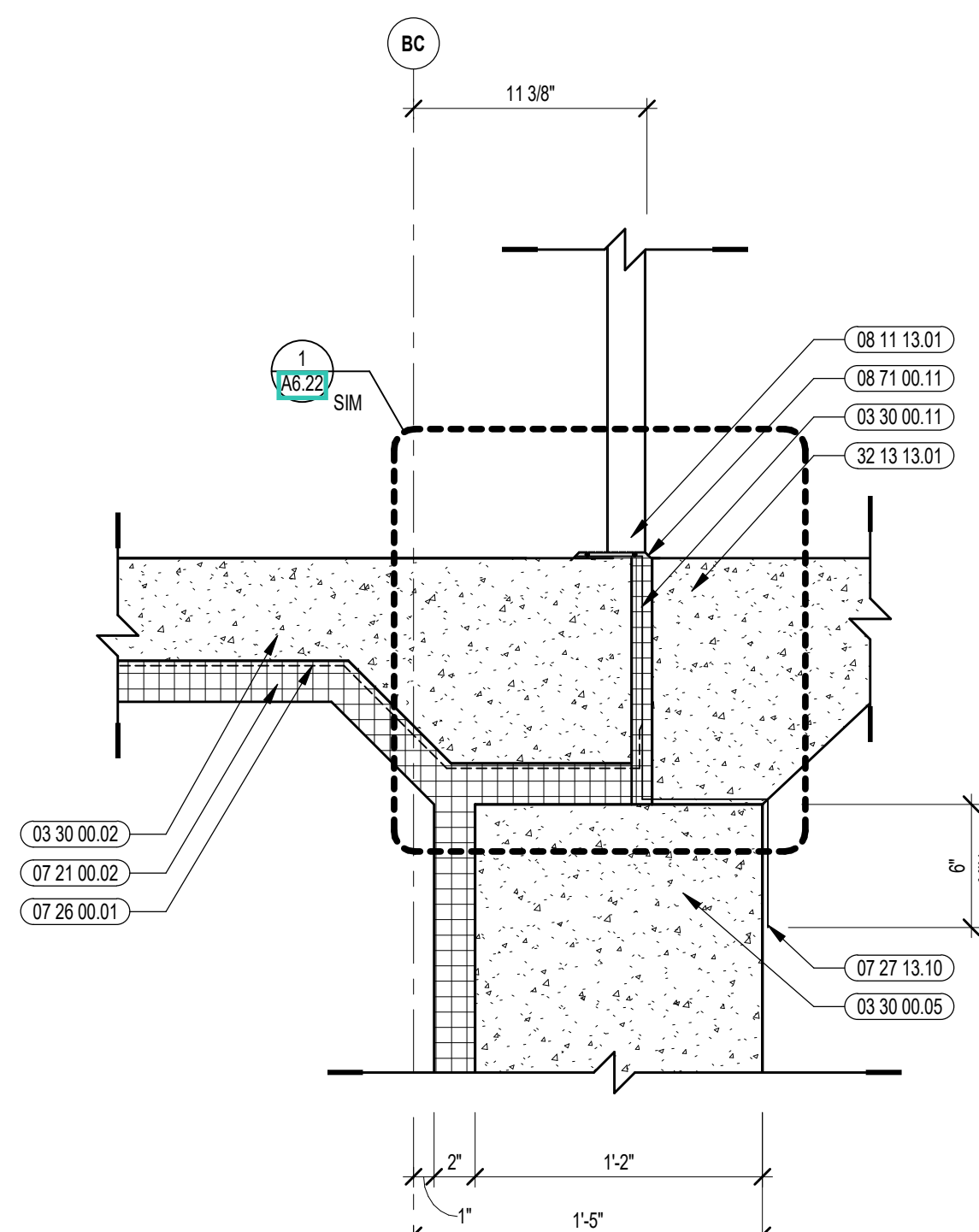
8 VERTICAL DETAIL
1 1/2" = 1'-0"



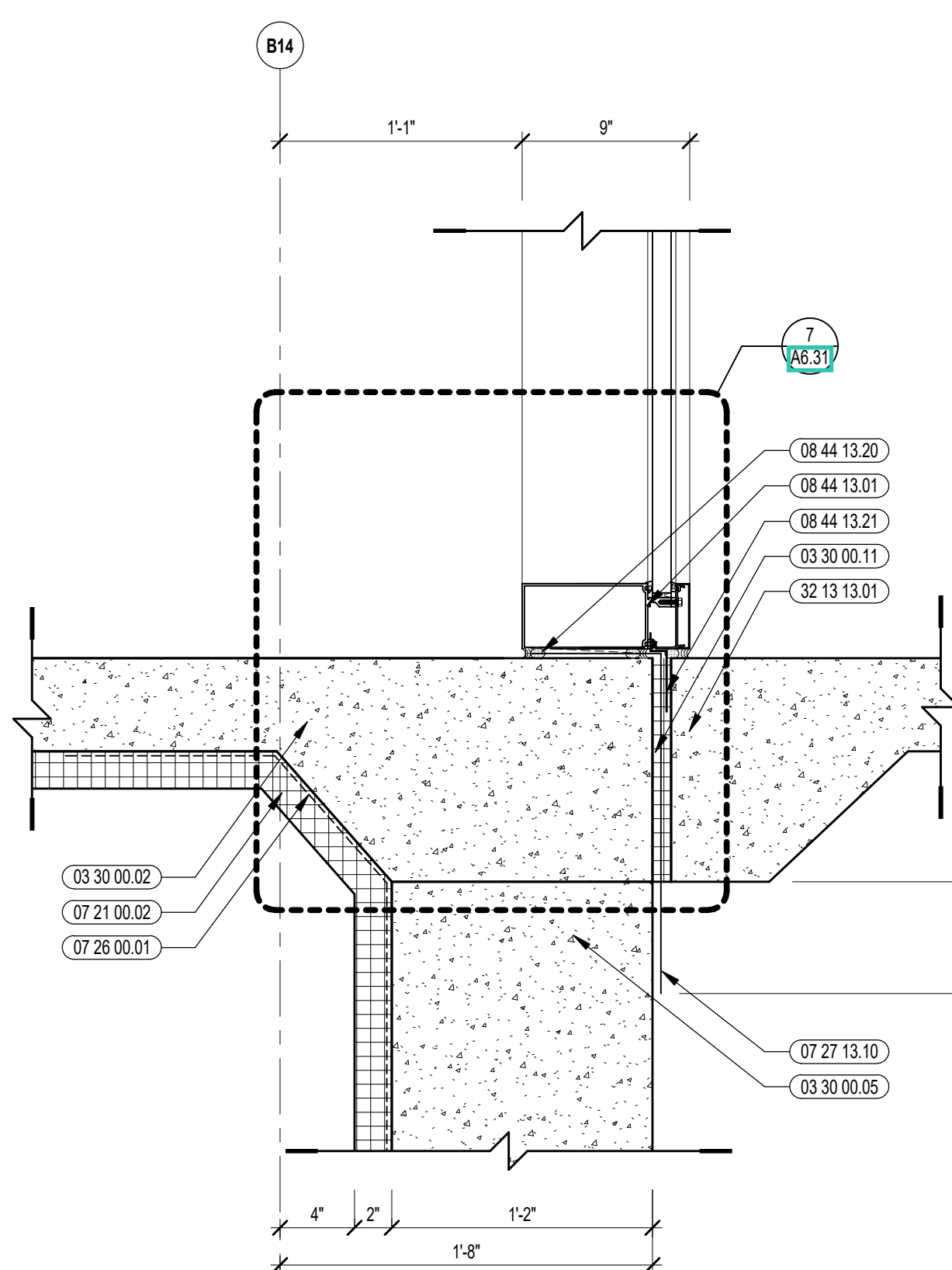
5 VERTICAL DETAIL
1 1/2" = 1'-0"



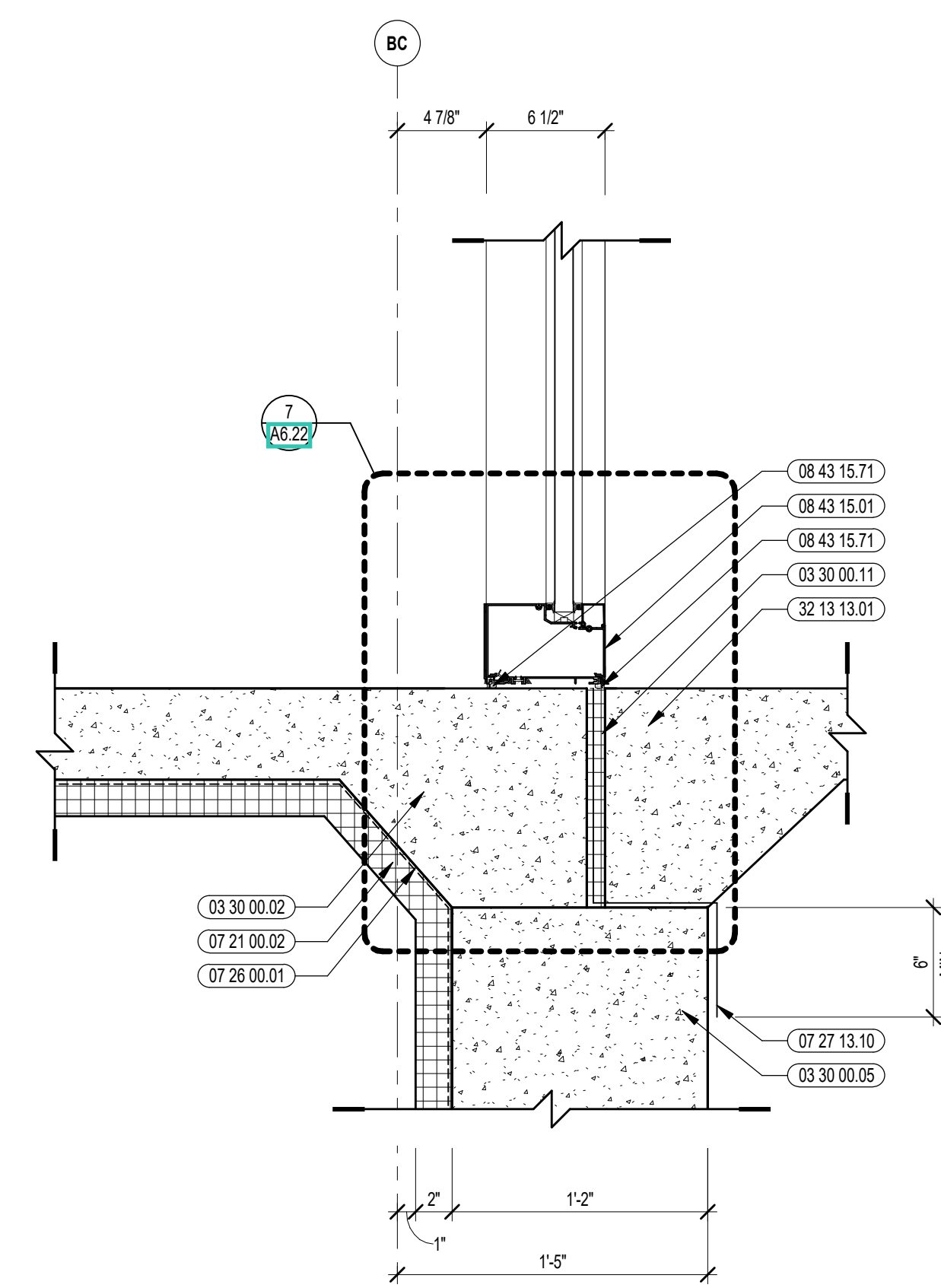
2 VERTICAL DETAIL
1 1/2" = 1'-0"



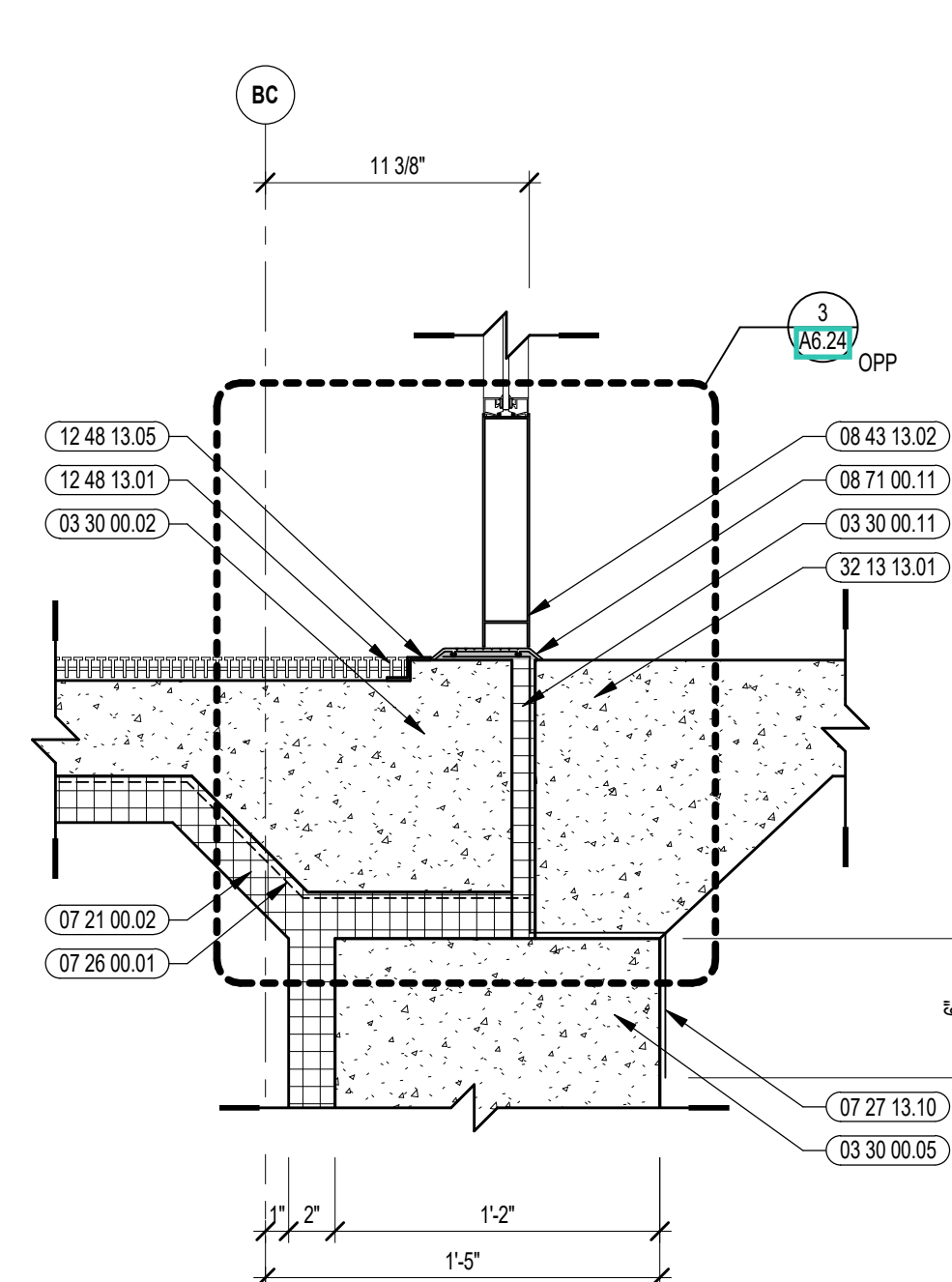
10 VERTICAL DETAIL
1 1/2" = 1'-0"



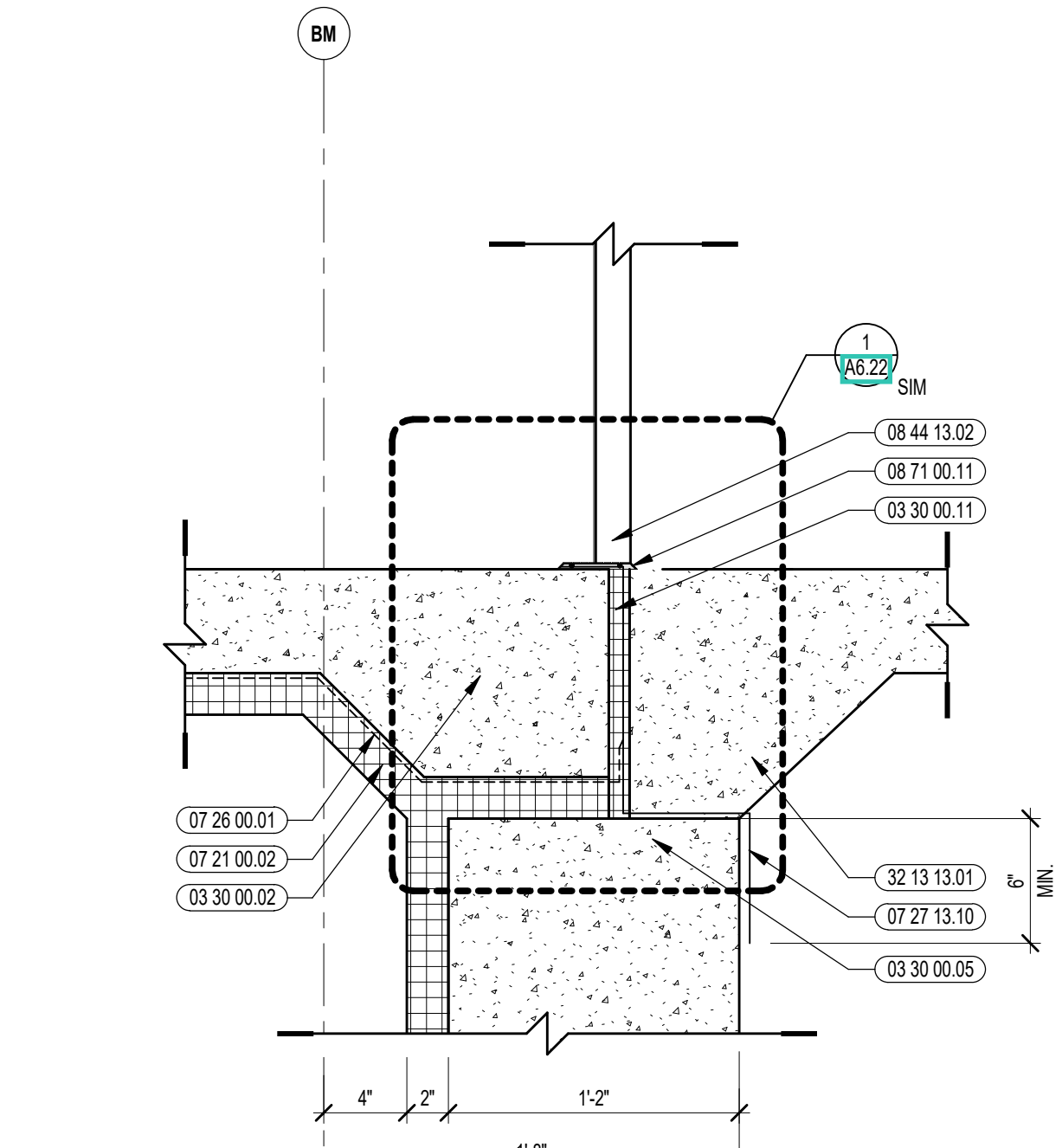
7 VERTICAL DETAIL
1 1/2" = 1'-0"



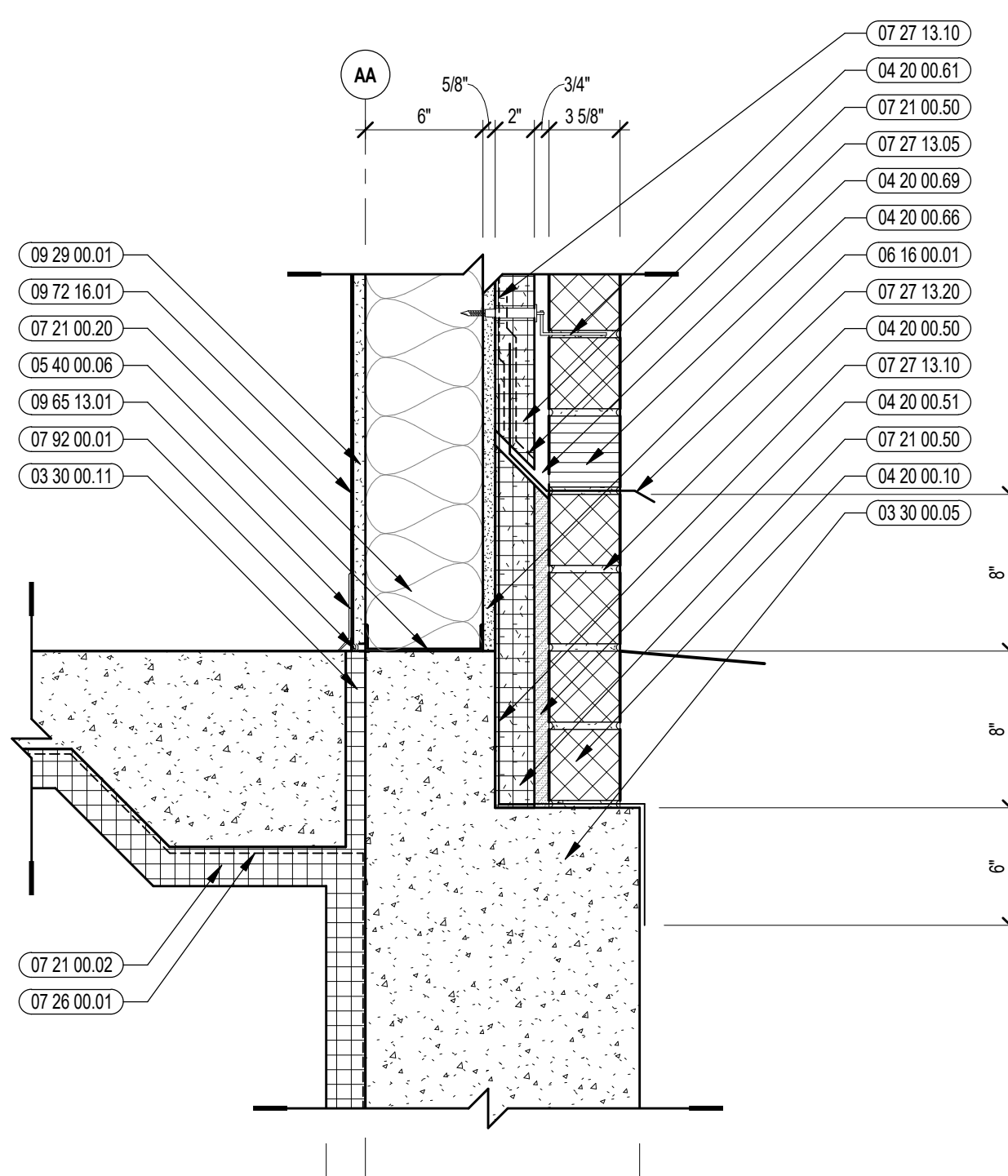
4 VERTICAL DETAIL
1 1/2" = 1'-0"



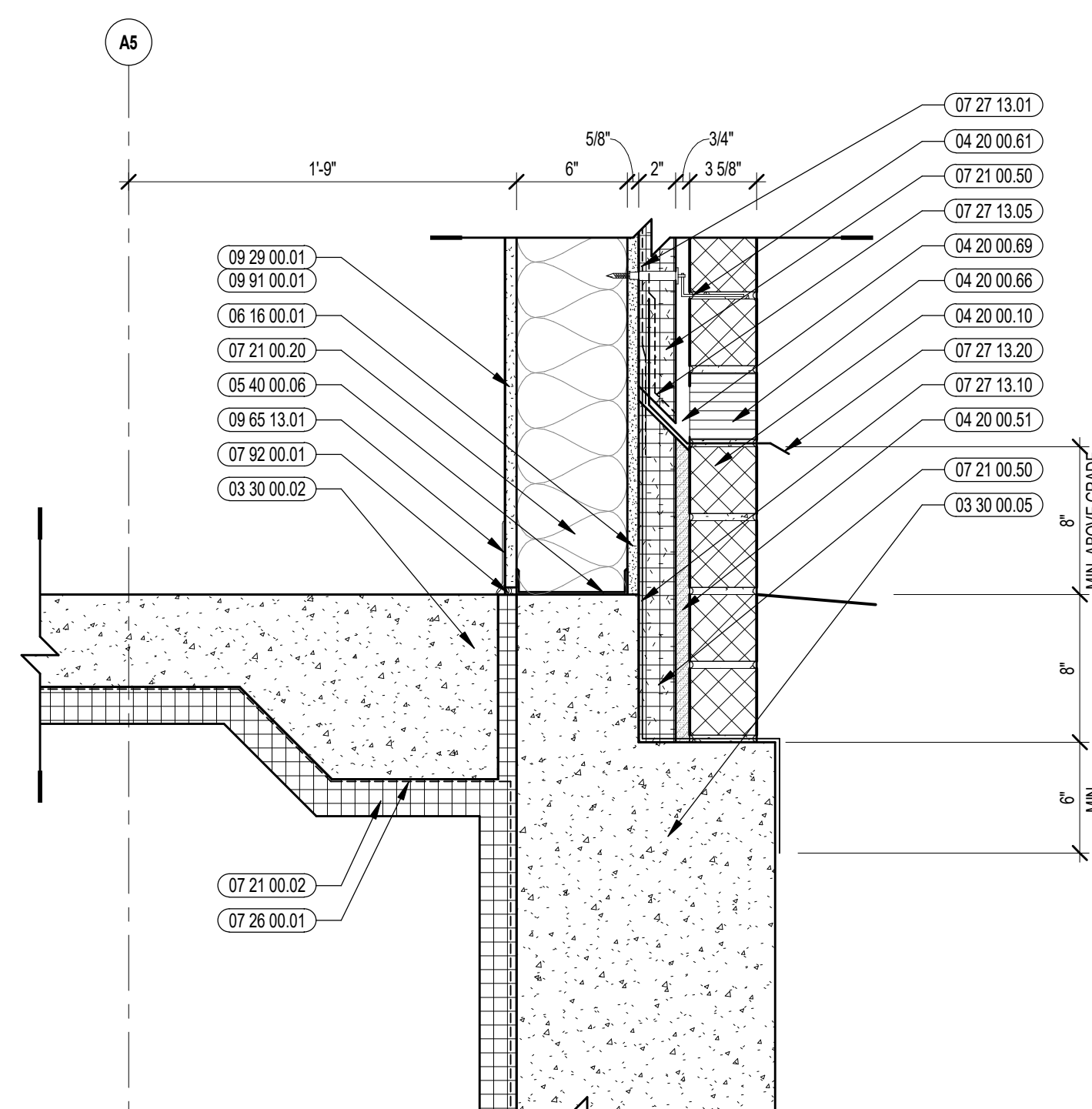
9 VERTICAL DETAIL
1 1/2" = 1'-0"



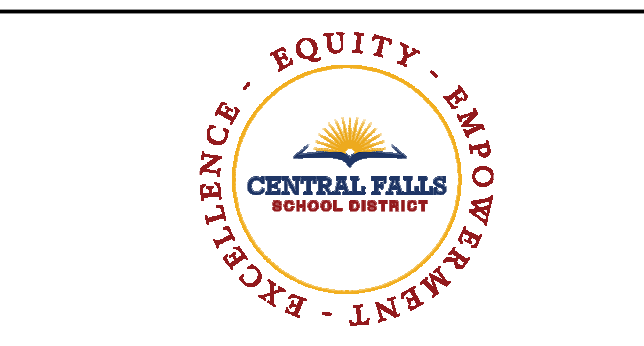
6 VERTICAL DETAIL
1 1/2" = 1'-0"



3 VERTICAL DETAIL
1 1/2" = 1'-0"



1 VERTICAL DETAIL
1 1/2" = 1'-0"



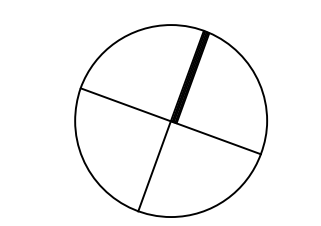
CENTRAL FALLS HIGH SCHOOL
10 HIGGINSON AVE, CENTRAL FALLS, RI

KEYNOTE LEGEND:

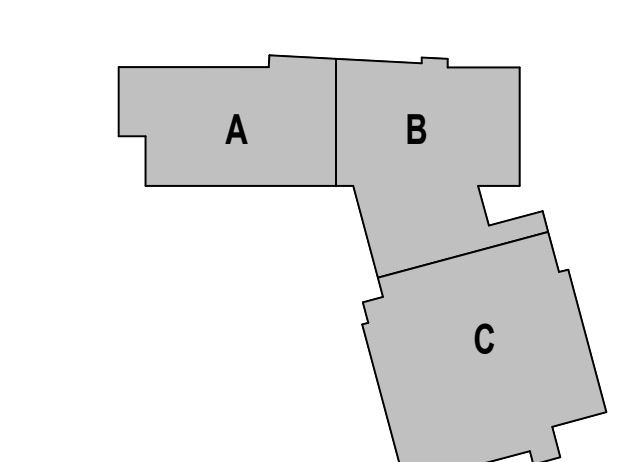
03 30 00 02	CONCRETE SLAB ON GRADE - SEE STRUCTURAL
03 30 00 05	CONCRETE FOUNDATION - SEE STRUCTURAL
04 20 00 10	CMU BASE - GROUND FACE CMU - REFERENCE DETAILS FOR TYPE AND DEPTH
04 20 00 50	MASONRY MORTAR
04 20 00 51	GROUT FILL
04 20 00 61	TYPICAL MASONRY ANCHORITIES - REFERENCE SPECIFICATION FOR SPACING
04 20 00 66	WEEP HOLES - 24 INCHES O.C.
04 20 00 69	AIR SPACE - MAINTAIN CLEAR OF MORTAR
05 40 00 06	STEEL STUDS - 8 INCH - 16 INCHES O.C. MAX
06 16 00 01	GYPSUM EXTERIOR SHEATHING - 5/8 INCH
07 21 00 20	RIGID INSULATION - 2 INCH - UNDER SLAB - HIGH COMPRESSIVE STRENGTH
07 21 00 22	GLASS FIBER BLANKET INSULATION - MATCH DEPTH OF STUD - UNFACED
07 21 00 50	MINERAL WOOL INSULATION - RIGID - EXTERIOR - 2 INCH
07 26 00 01	VAPOR RETARDER - UNDER SLAB
07 27 13 01	AIR/VAPOR BARRIER MEMBRANE - SELF-ADHERING
07 27 13 05	AIR/VAPOR BARRIER TRANSITION MEMBRANE - SELF-ADHERING
07 27 13 10	WATERPROOF MEMBRANE FLASHING
07 27 13 20	FLASHING - STAINLESS STEEL
07 28 00 01	JOINT SEALANT - TYPE AS REQUIRED
09 22 16 03	METAL STUD 3-5/8 INCH - 16 INCHES O.C. MAX
09 29 00 01	5/8 INCH GYPSUM BOARD - LEVEL 4 FINISH - 1 LAYER
09 65 13 01	RUBBER BASE - 4 INCH
09 67 23 11	FLUID APPLIED FLOORING - INTEGRATED COVE BASE
09 72 16 01	MINI WALL CLADDING - REFERENCE ELEVATIONS FOR TYPE
09 91 00 01	PAINT - SEE SCHEDULE

100% CONSTRUCTION DOCUMENTS

KEY PLAN NORTH ARROW



KEYPLAN



DRAWING NAME:

VERTICAL BASE DETAILS

DRAWN BY: BFC

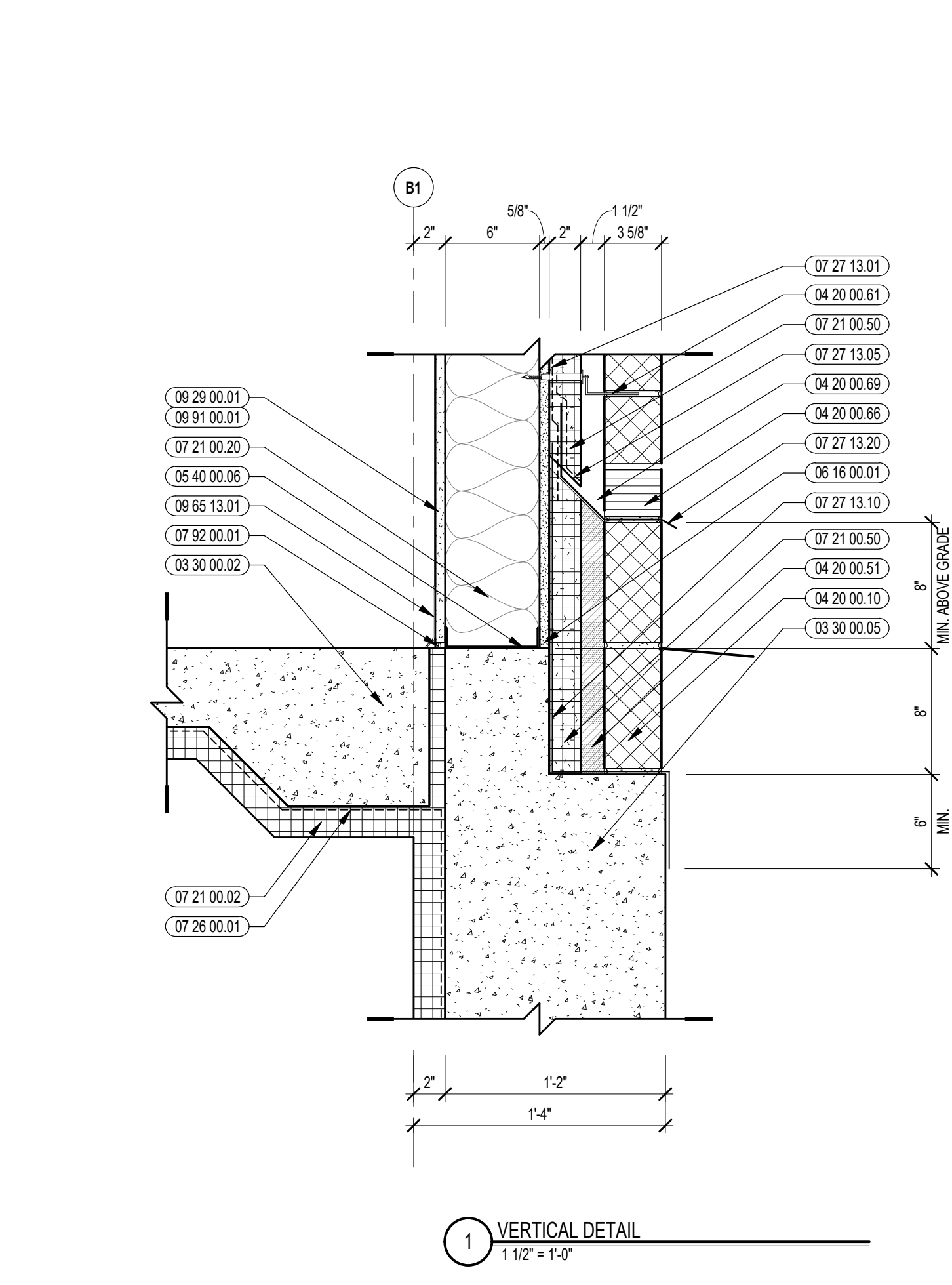
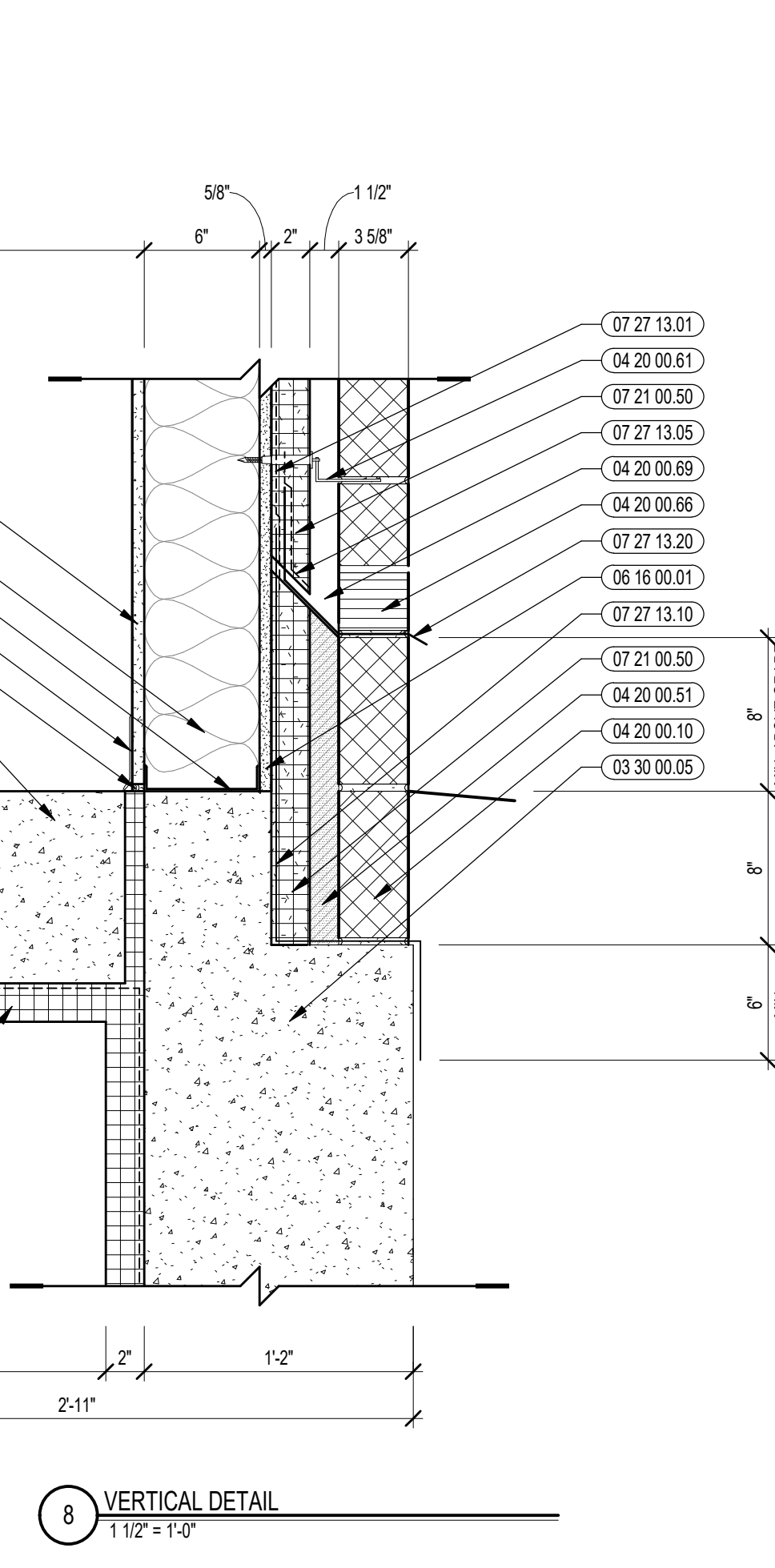
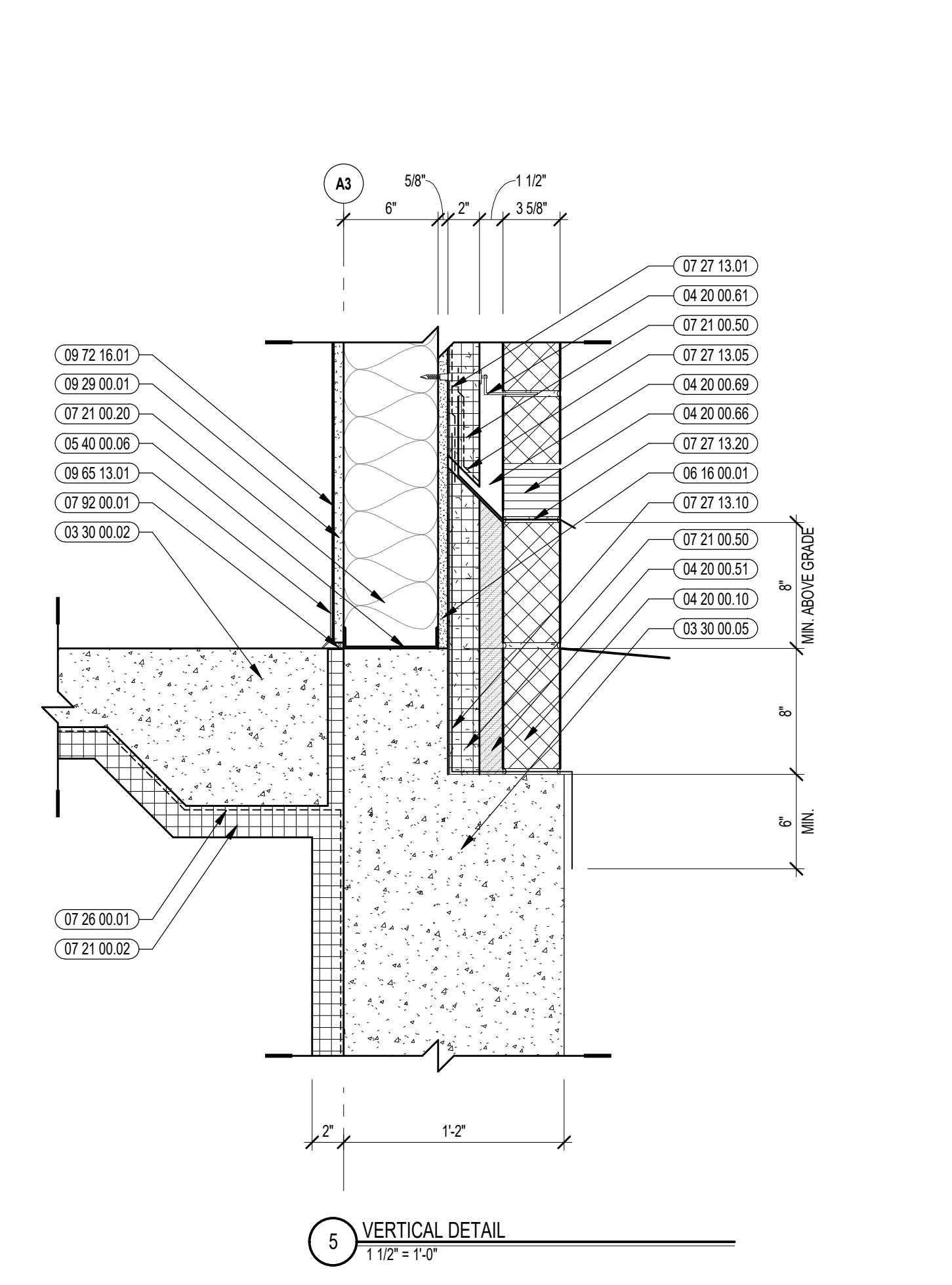
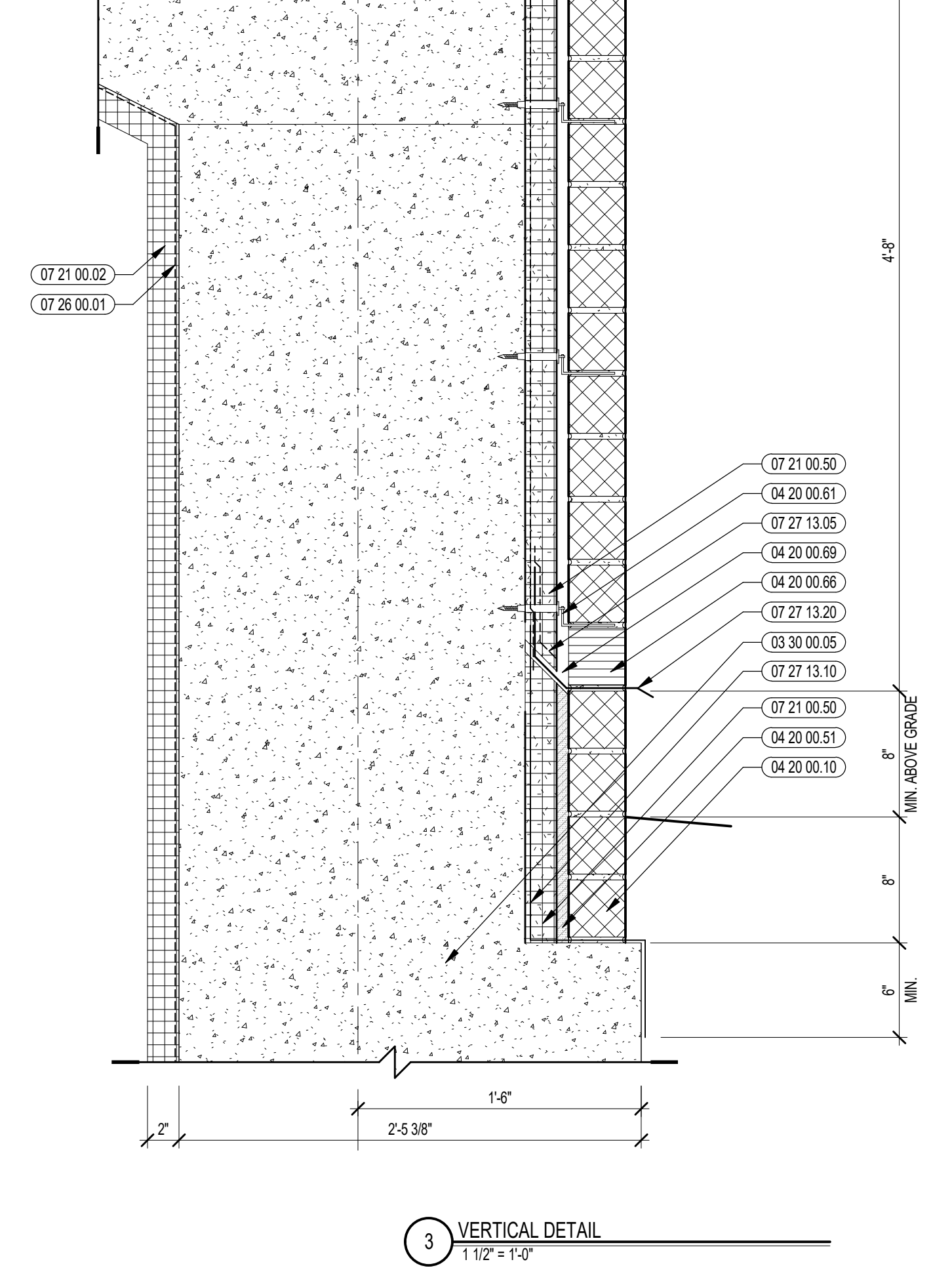
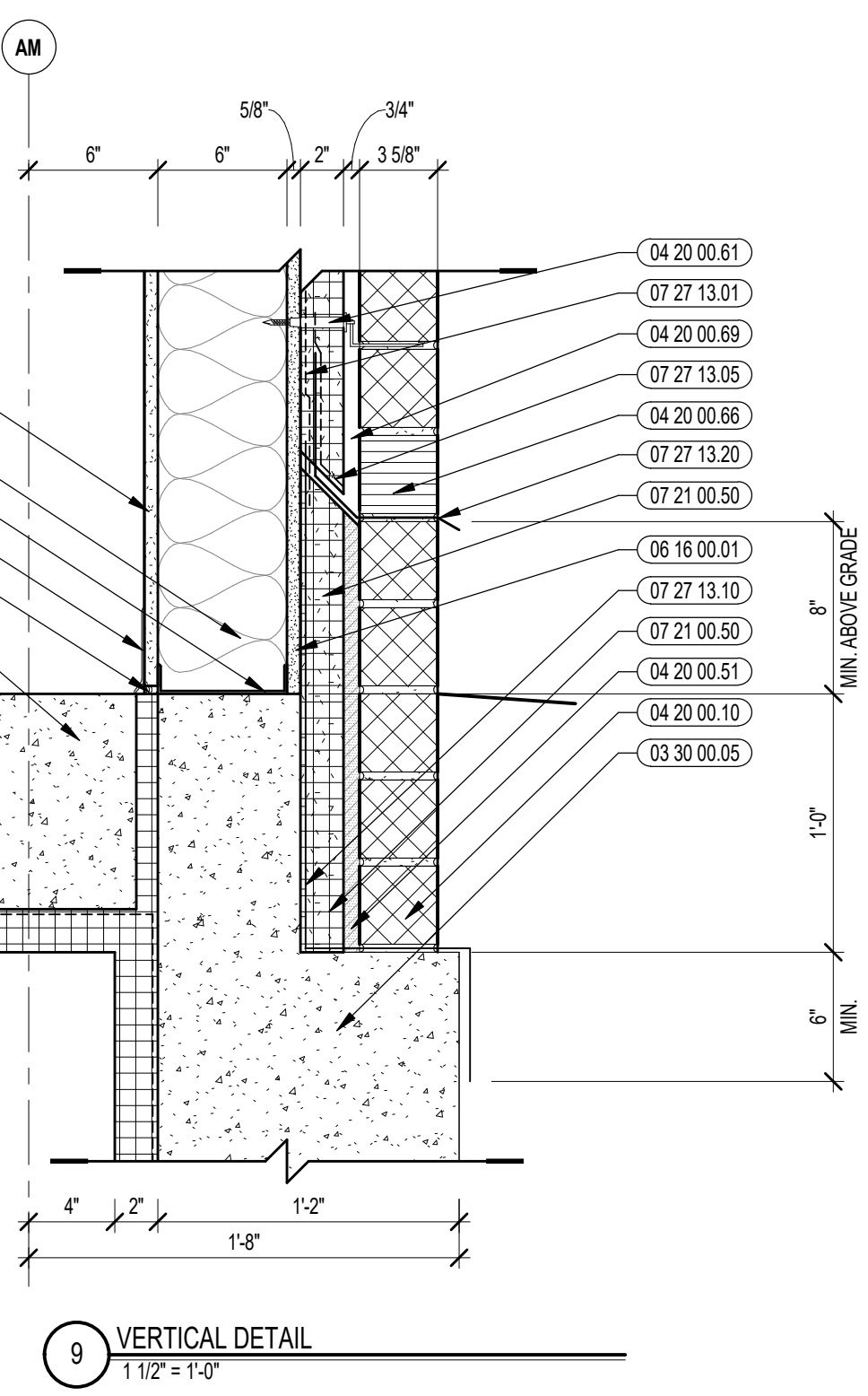
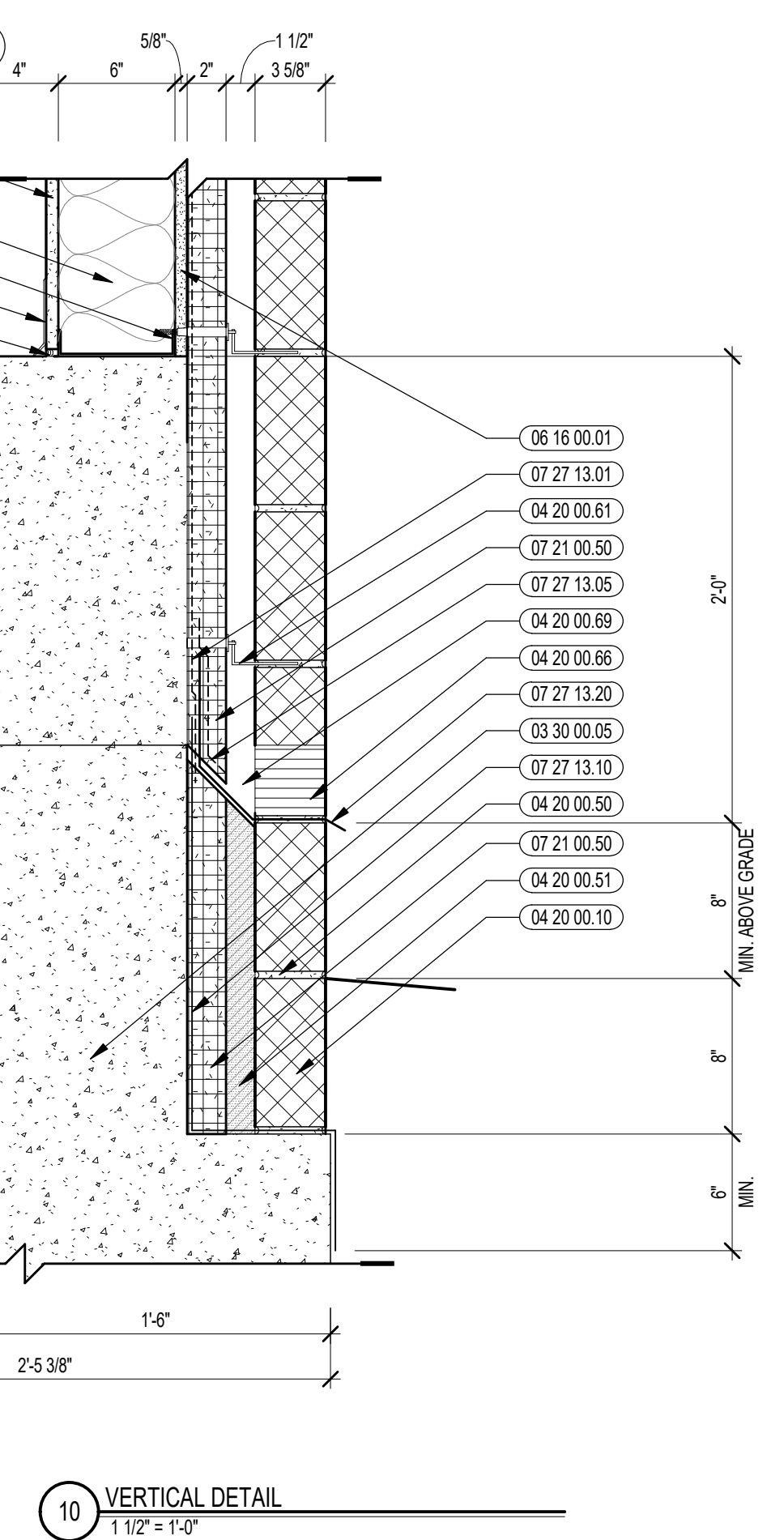
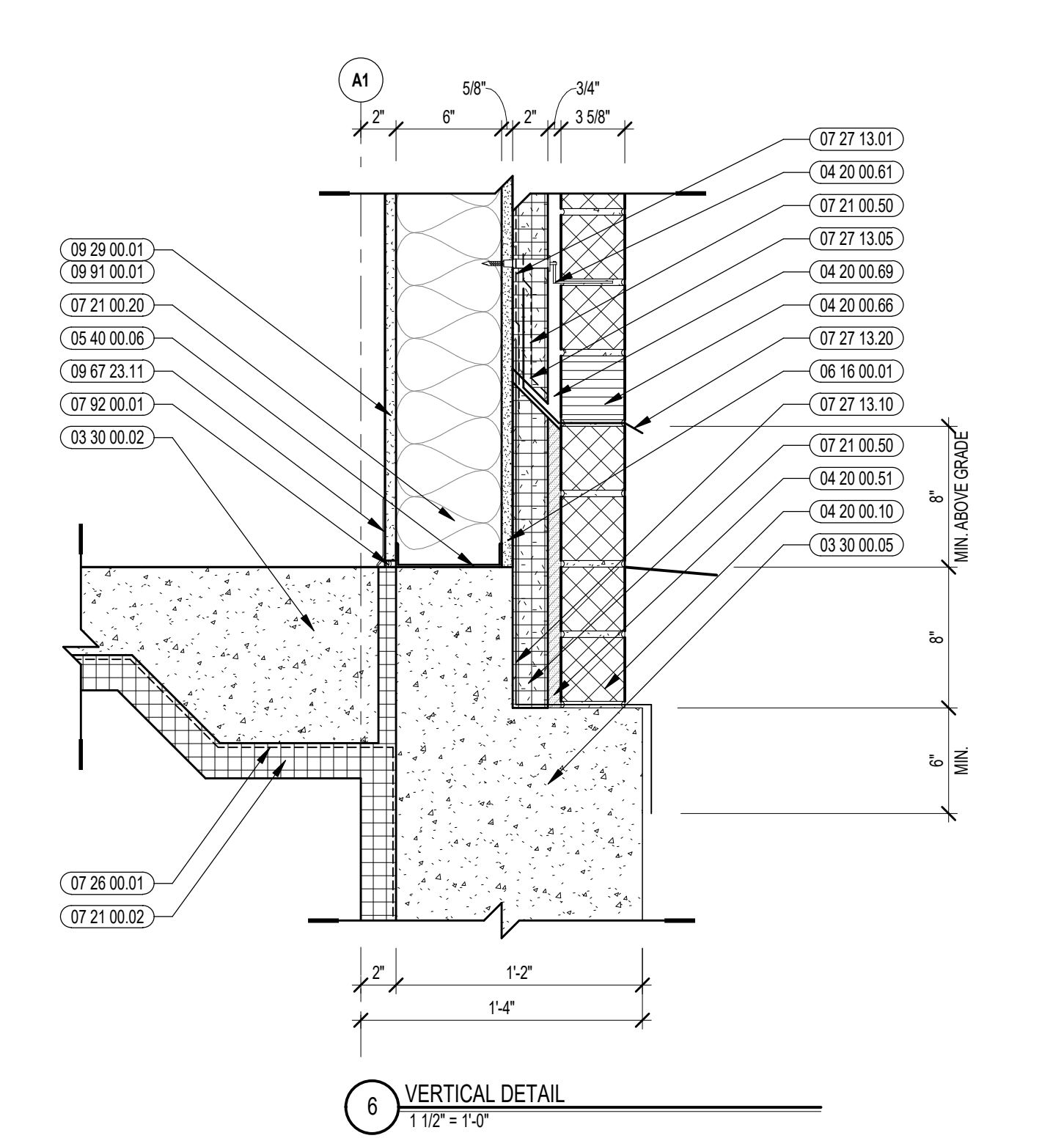
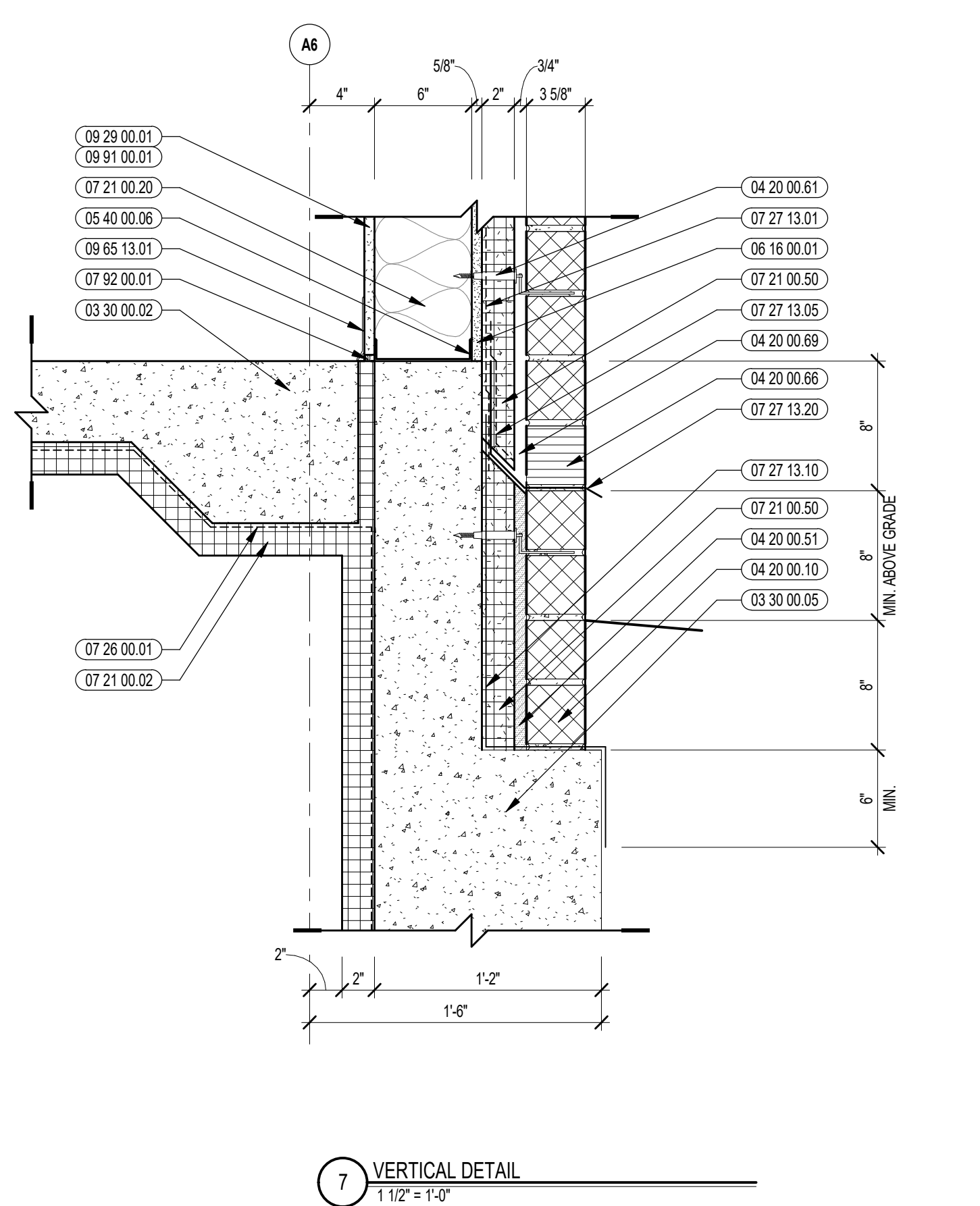
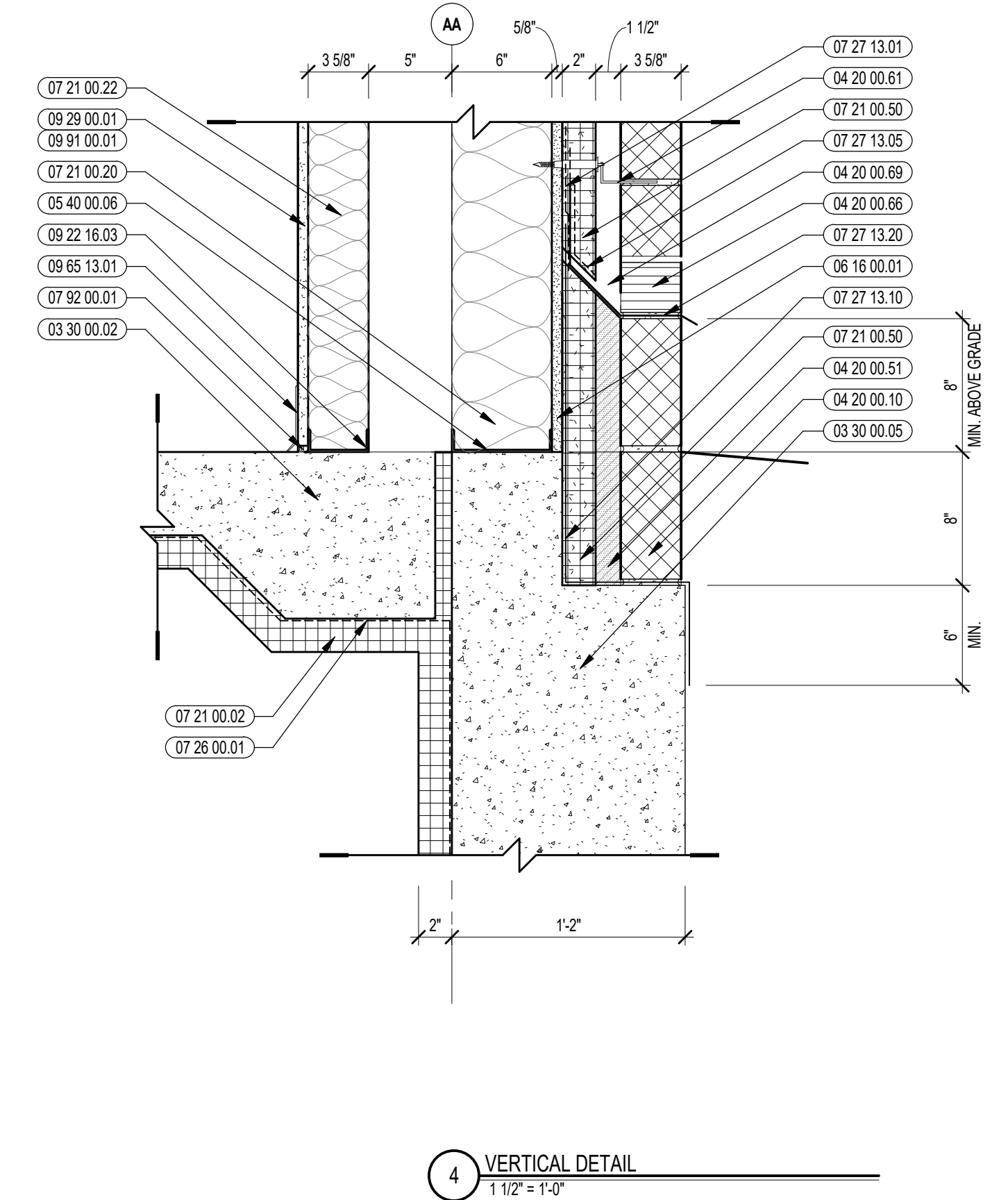
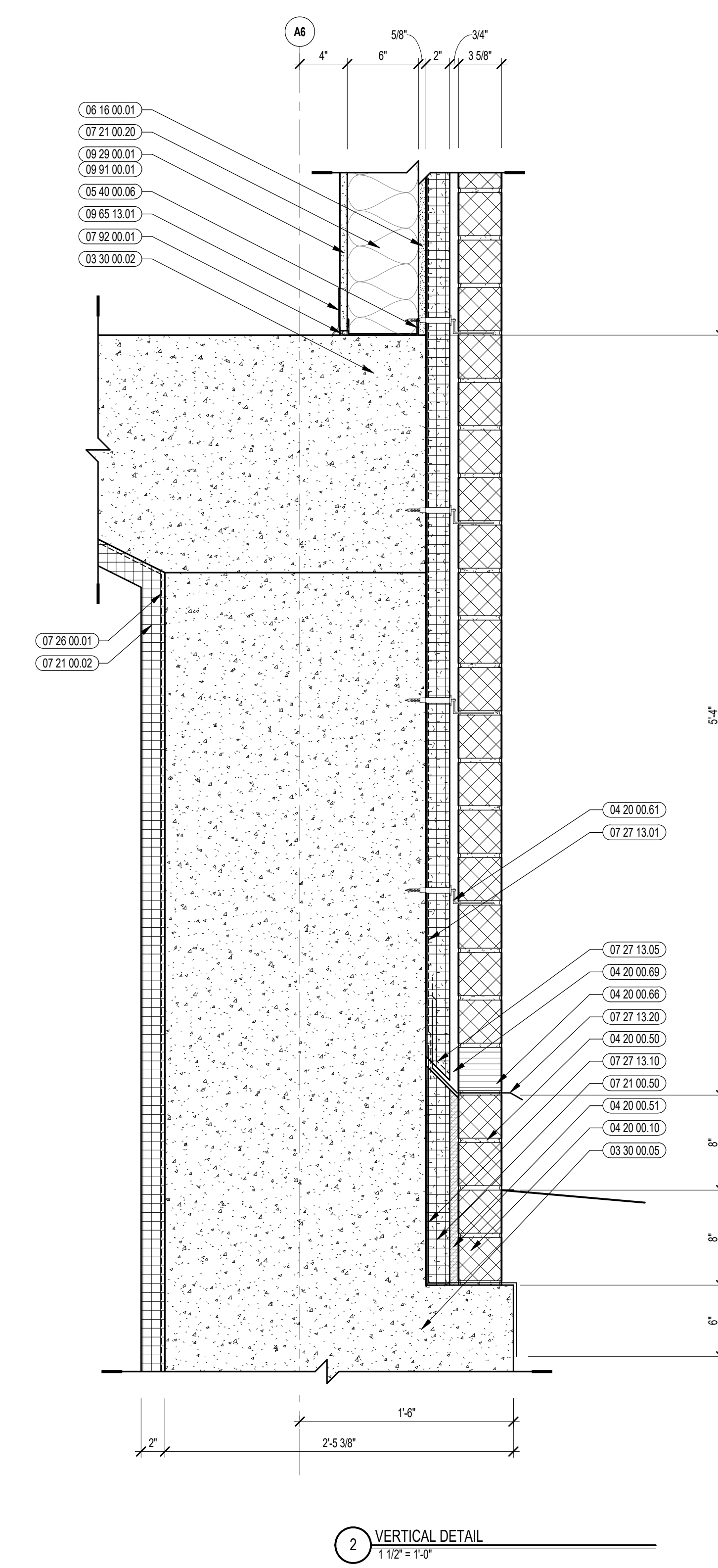
REVIEWED BY: CHR/KK

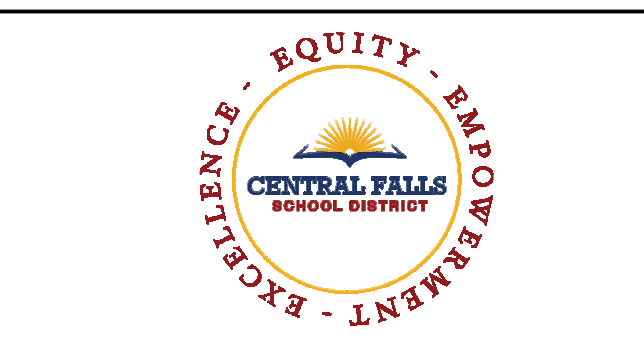
SCALE: AS INDICATED | DRAWING NUMBER:

JOB NO.: 2202.02

DATE: OCTOBER 13, 2023

A5.02





CENTRAL FALLS HIGH SCHOOL
10 HIGGINSON AVE, CENTRAL FALLS, RI

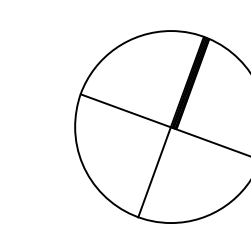
Copyright © 2023, A3 Architects, Inc.

KEYNOTE LEGEND:

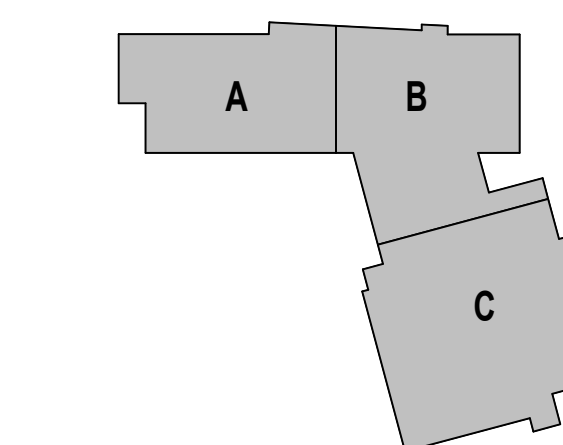
- 03 30 00 02 CONCRETE SLAB ON GRADE - SEE STRUCTURAL
- 03 30 00 05 CONCRETE FOUNDATION - SEE STRUCTURAL
- 03 30 00 11 EXPANDABLE JOINT FILLER
- 04 20 00 10 CMU BASE - GROUND FACE CMU - REFERENCE DETAILS FOR TYPE AND DEPTH
- 04 20 00 50 MASONRY MORTAR
- 04 20 00 51 GROUT FILL
- 04 20 00 61 TYPICAL MASONRY ANCHORTIES - REFERENCE SPECIFICATION FOR SPACING
- 04 20 00 66 WEEP HOLES - 24 INCHES O.C.
- 04 20 00 68 AIR SPACE - MAINTAIN CLEAR OF MORTAR
- 05 40 00 06 STEEL STUDS - 6 INCH - 16 INCHES O.C. MAX
- 06 16 00 01 GYPSUM EXTERIOR SHEATHING - 5/8 INCH
- 07 21 00 01 RIGID INSULATION - 2 INCH - FOUNDATION ONLY
- 07 21 00 02 RIGID INSULATION - 2 INCH - UNDER SLAB - HIGH COMPRESSIVE STRENGTH
- 07 21 00 20 GLASS FIBER BLANKET INSULATION - MATCH DEPTH OF STUD - UNFACED
- 07 21 00 50 MINERAL WOOL INSULATION - RIGID - EXTERIOR - 2 INCH
- 07 28 00 01 VAPOR RETARDER - UNDER SLAB
- 07 27 13 01 AIR VAPOR BARRIER MEMBRANE - SELF-ADHERING
- 07 27 13 05 AIR VAPOR BARRIER TRANSITION MEMBRANE - SELF-ADHERING
- 07 27 13 10 WATERPROOF MEMBRANE FLASHING
- 07 27 13 20 FLASHING - STAINLESS STEEL
- 07 92 00 01 JOINT SEALANT - TYPE AS REQUIRED
- 08 11 13 01 DOOR AND FRAME - SEE DOOR SCHEDULE
- 08 43 13 02 ALUMINUM ENTRANCE DOOR
- 08 71 00 01 ALUMINUM THRESHOLD
- 09 22 16 03 METAL STUD 3-5/8 INCH - 16 INCHES O.C. MAX
- 09 22 16 06 METAL STUD 1-1/2 INCH - 16 INCHES O.C. MAX
- 09 29 00 01 5/8 INCH GYPSUM BOARD - LEVEL 4 FINISH - 1 LAYER
- 09 29 00 02 5/8 INCH GYPSUM BOARD - LEVEL 4 FINISH - 2 LAYERS
- 09 65 13 01 RUBBER BASE - 4 INCH
- 09 67 23 11 FLUID APPLIED FLOORING - INTEGRATED COVE BASE
- 09 72 16 01 VINYL WALL CLADDING - REFERENCE ELEVATIONS FOR TYPE
- 09 91 00 01 PAINT - SEE SCHEDULE
- 32 13 13 01 SIDEWALK - SEE CIVILLANDSCAPE

100% CONSTRUCTION DOCUMENTS

KEY PLAN NORTH ARROW



KEYPLAN



DRAWING NAME:

VERTICAL BASE DETAILS

DRAWN BY: BFC

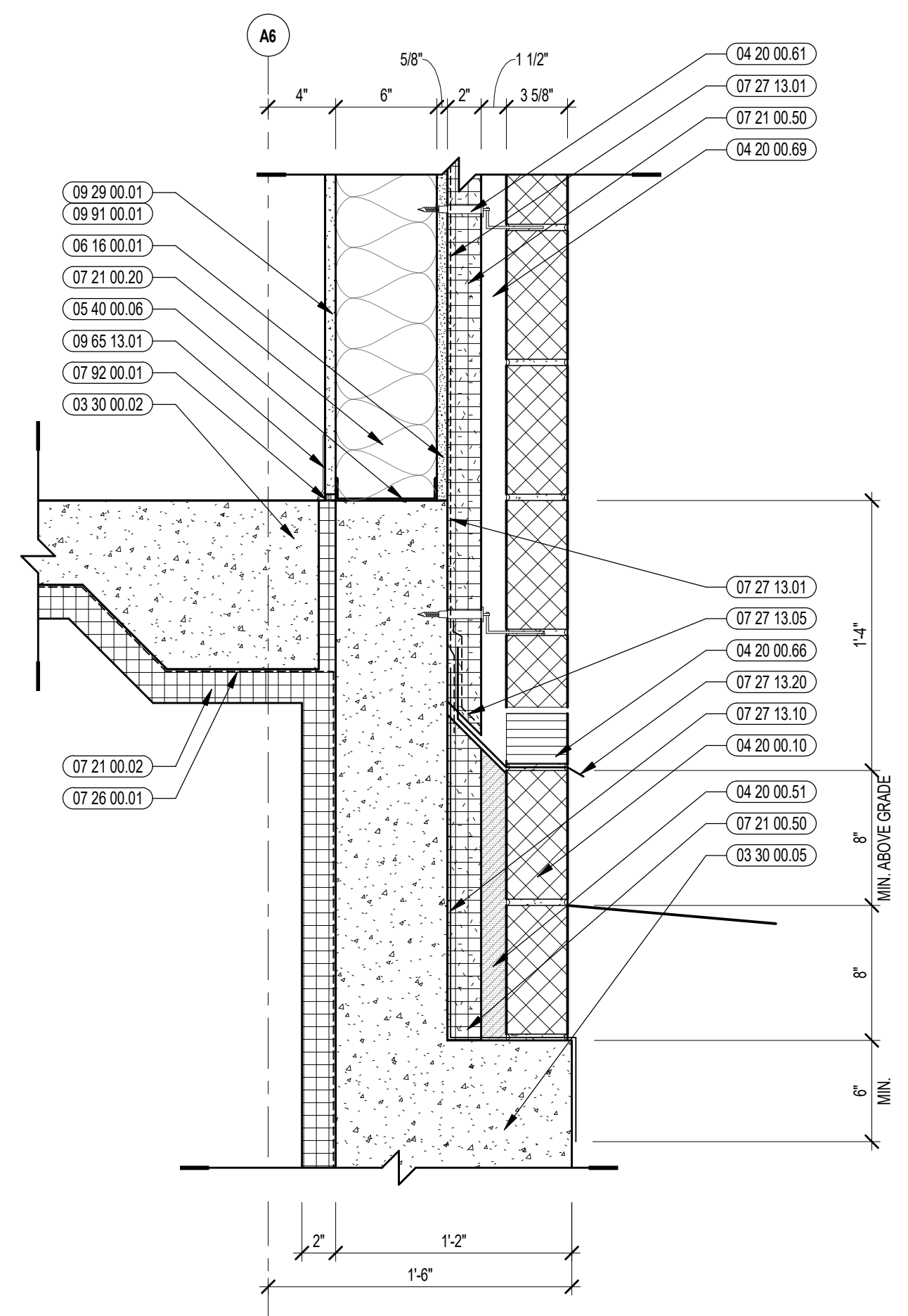
REVIEWED BY: CHR/KK

SCALE: AS INDICATED DRAWING NUMBER:

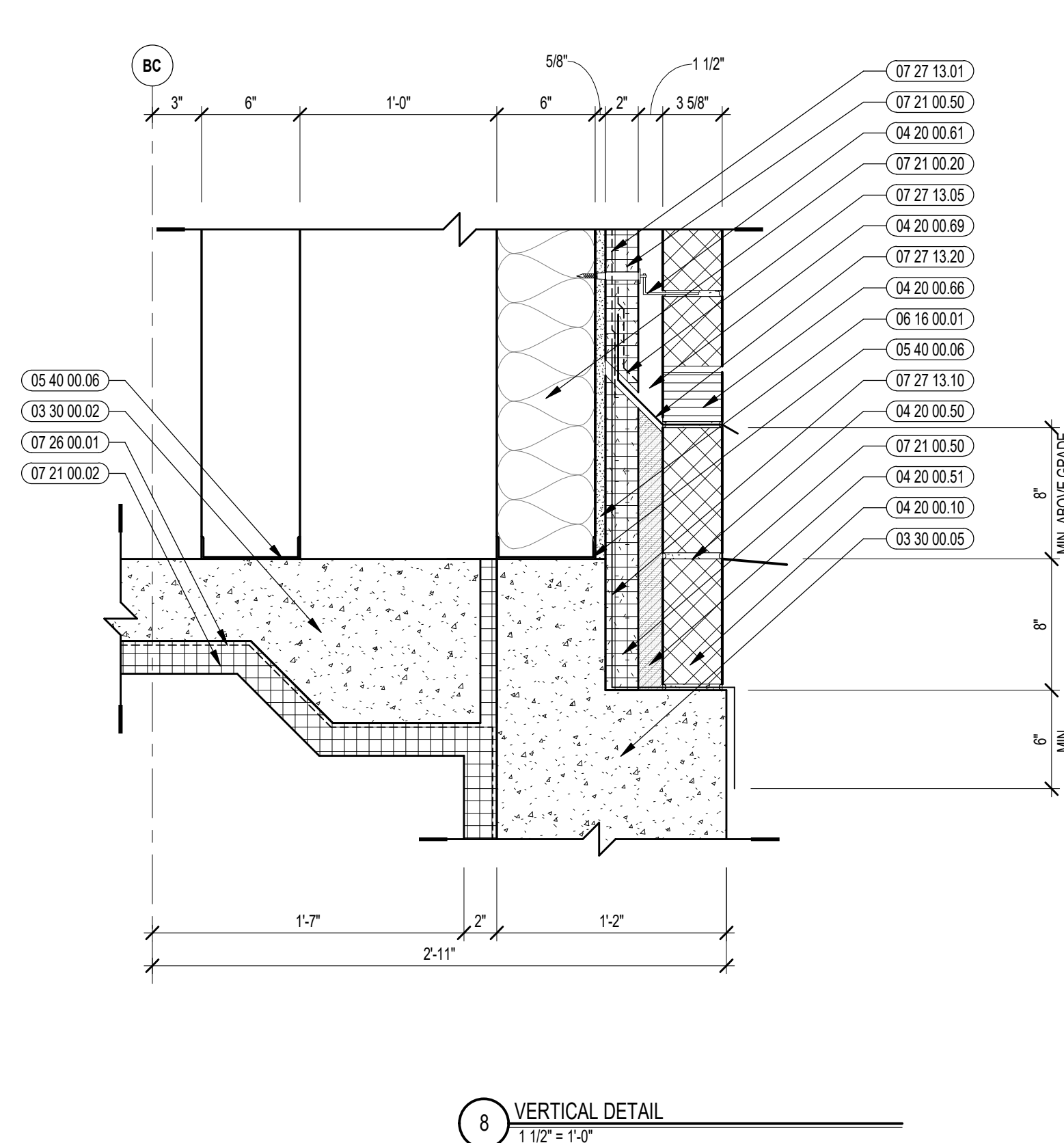
JOB NO: 2202.02

DATE: OCTOBER 13, 2023

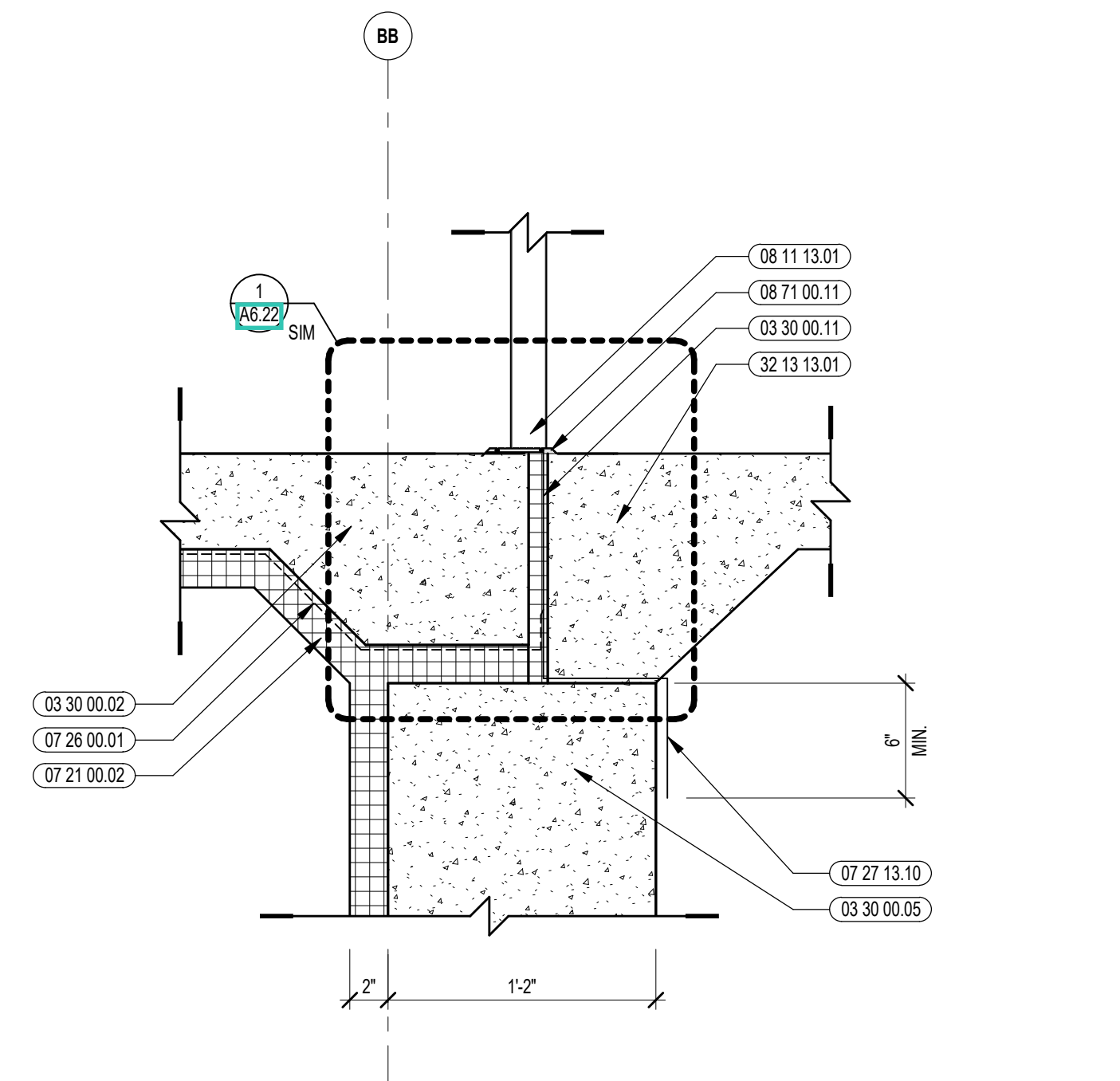
A5.03



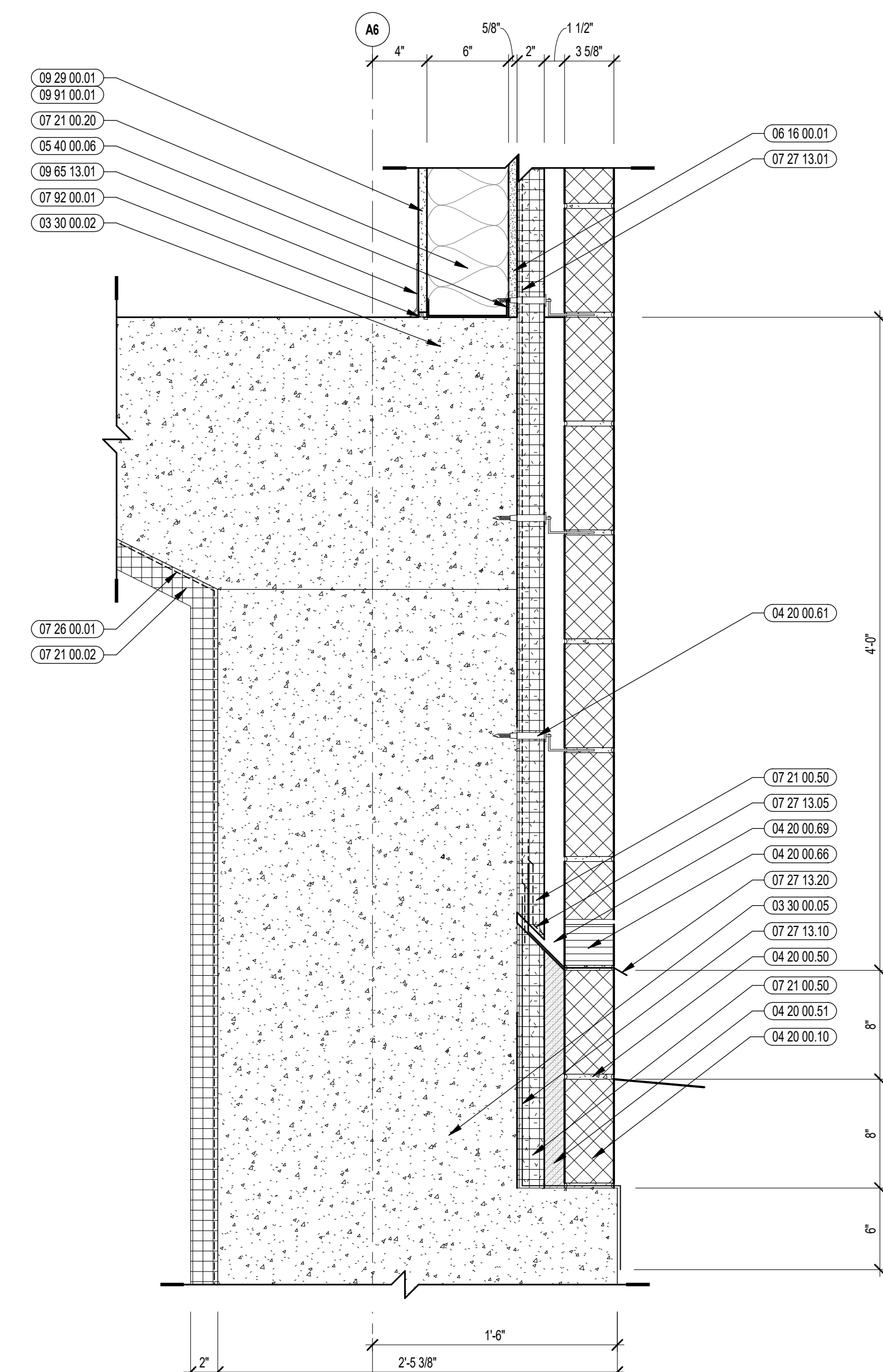
11 VERTICAL DETAIL
1 1/2" = 1'-0"



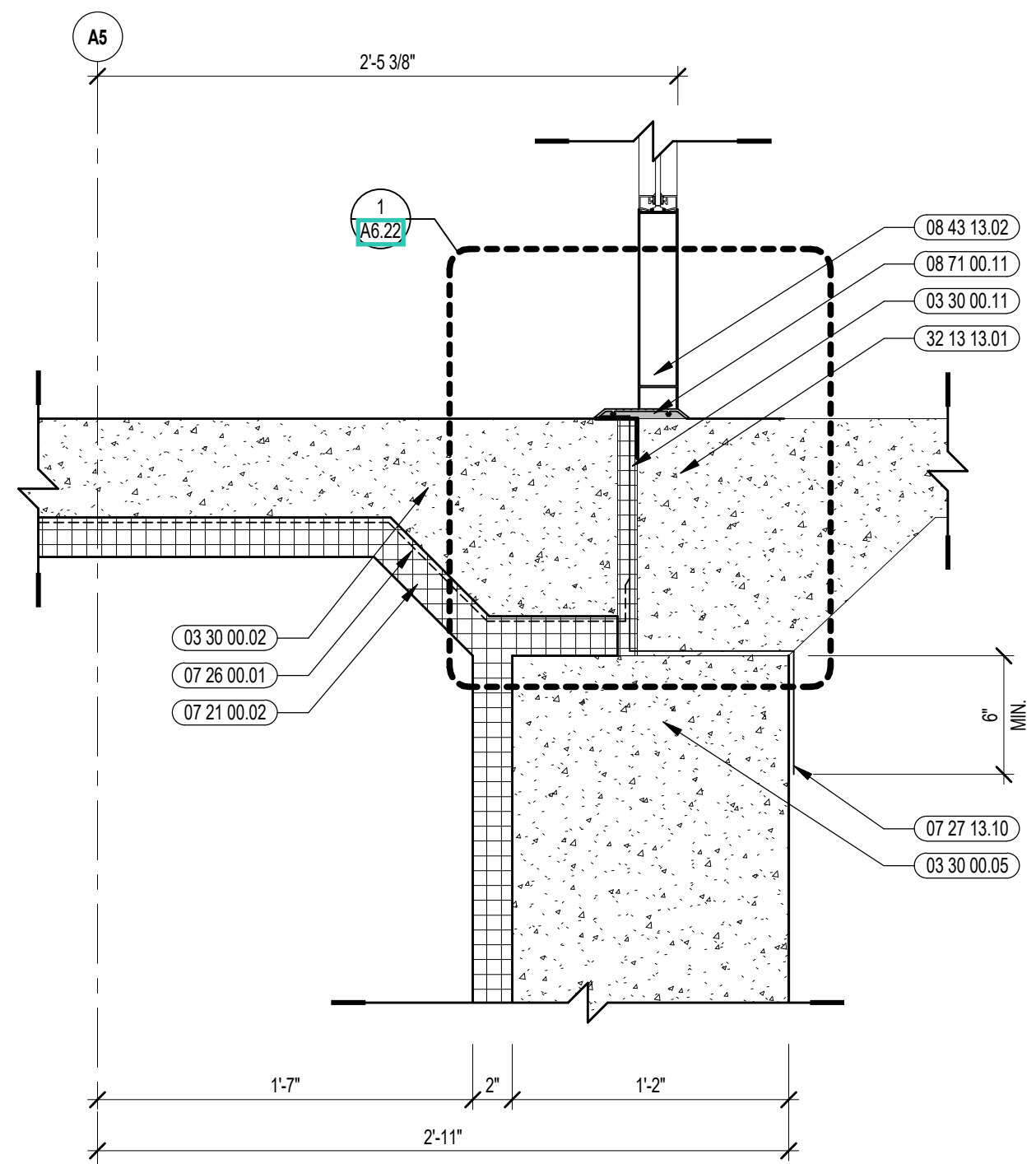
8 VERTICAL DETAIL
1 1/2" = 1'-0"



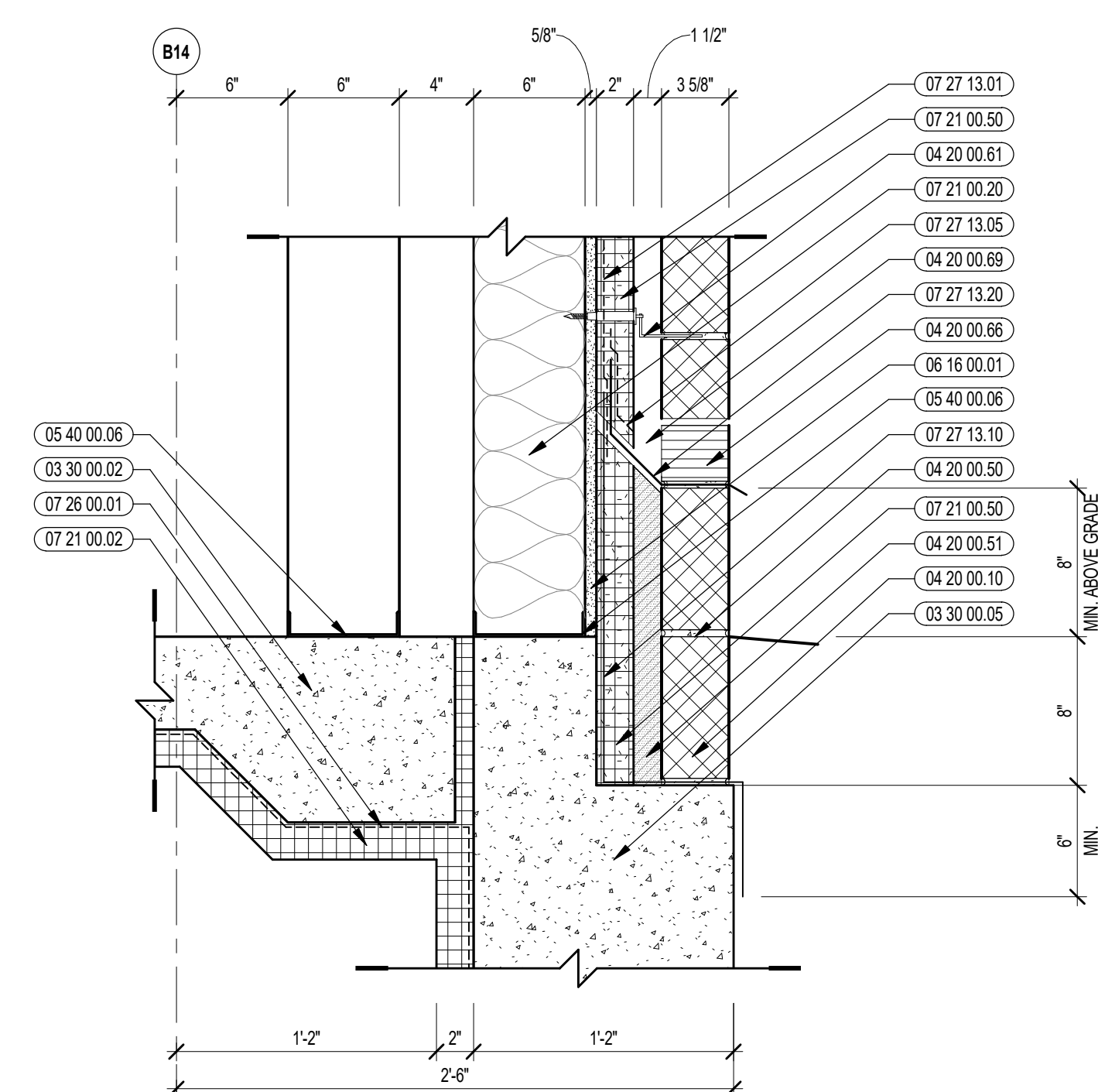
5 VERTICAL DETAIL
1 1/2" = 1'-0"



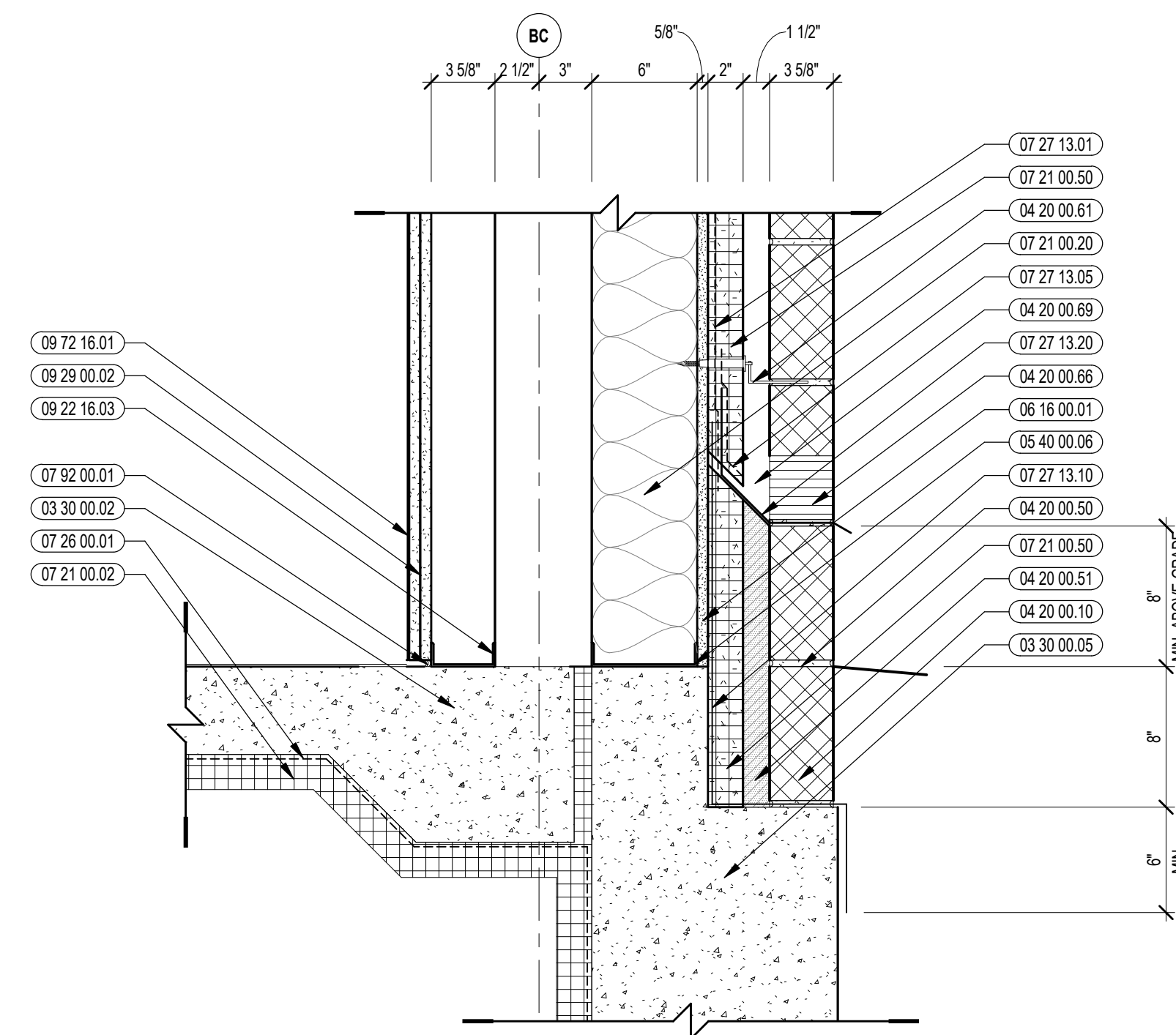
2 VERTICAL DETAIL
1 1/2" = 1'-0"



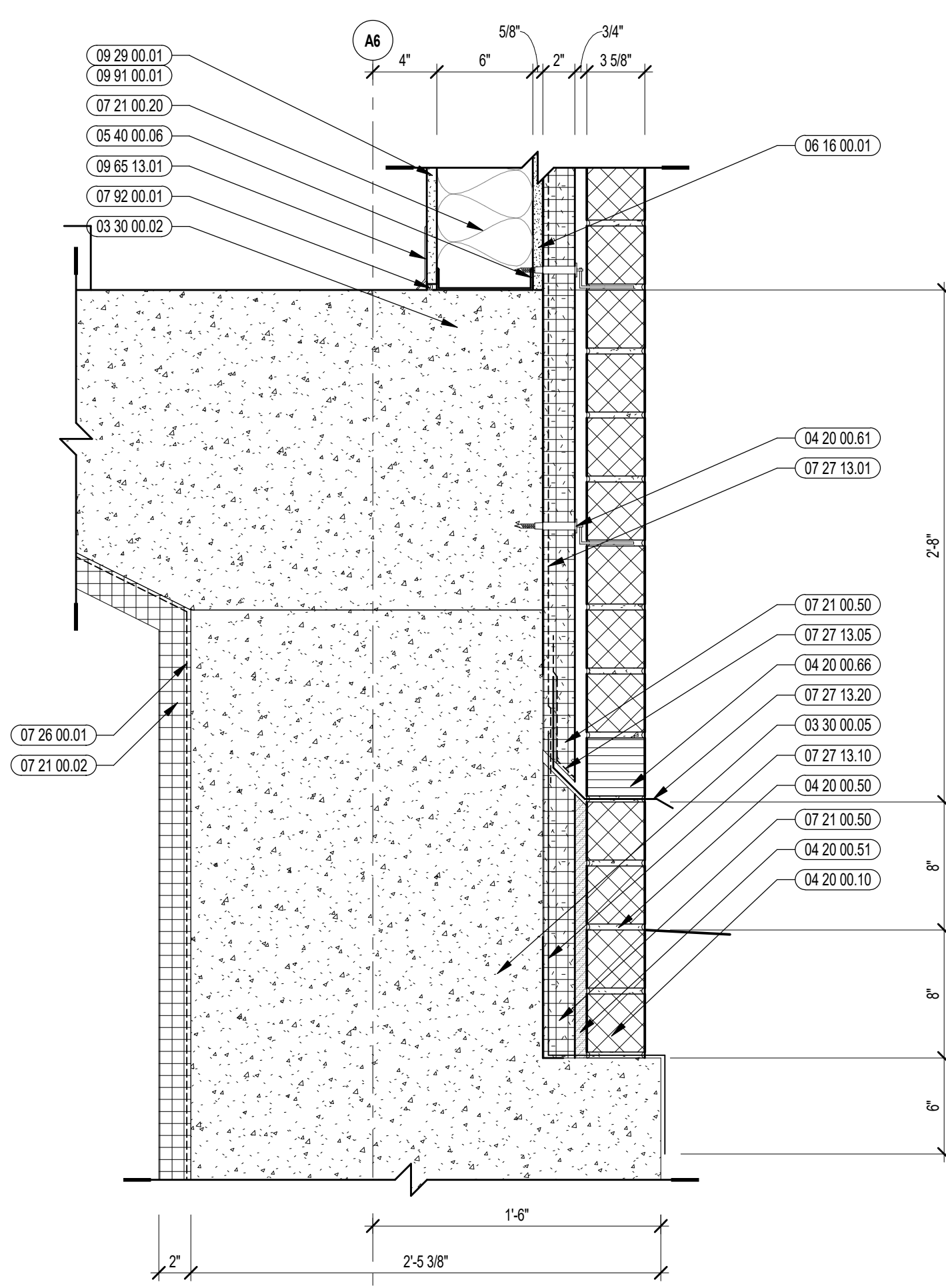
10 VERTICAL DETAIL
1 1/2" = 1'-0"



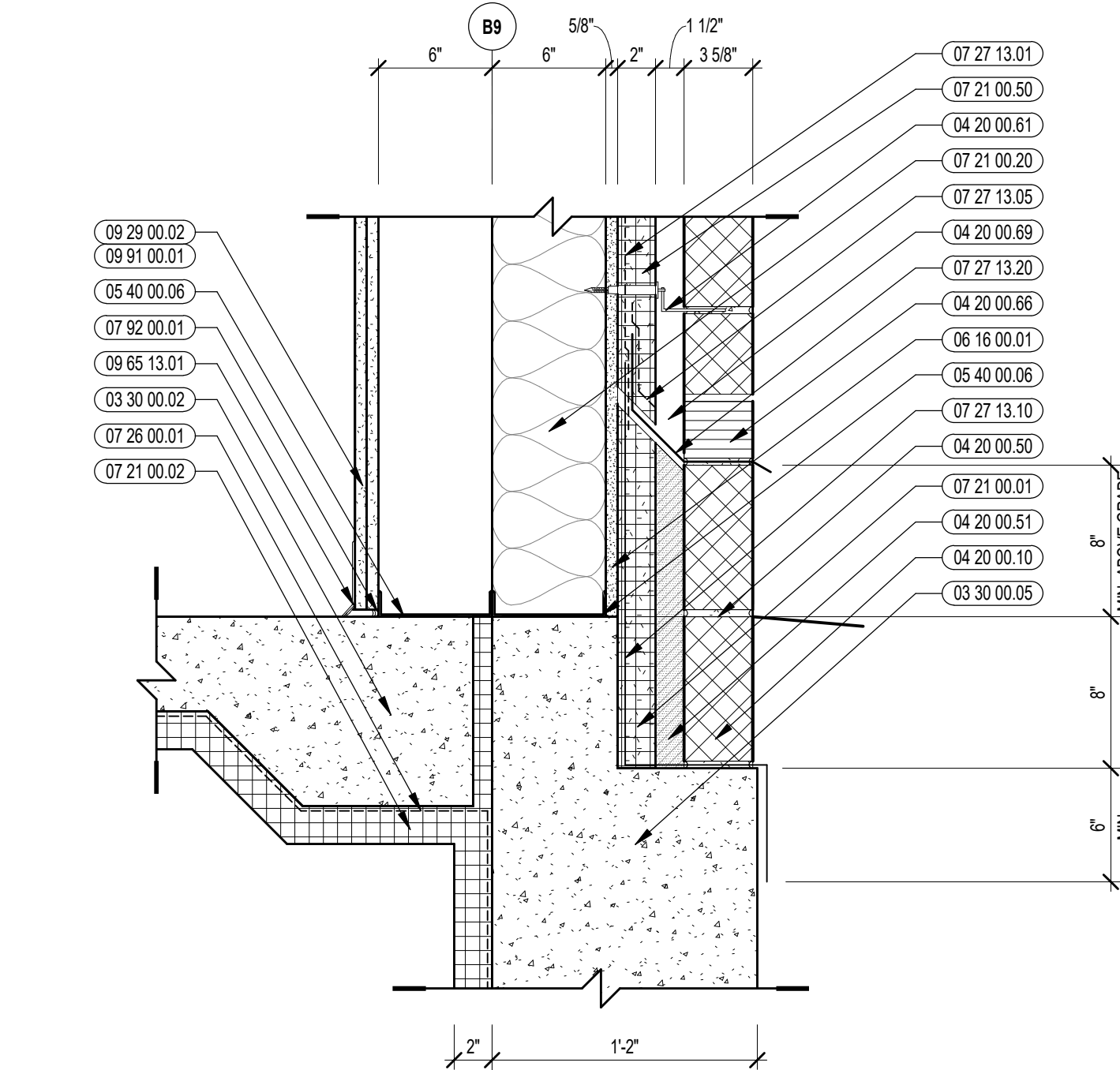
7 VERTICAL DETAIL
1 1/2" = 1'-0"



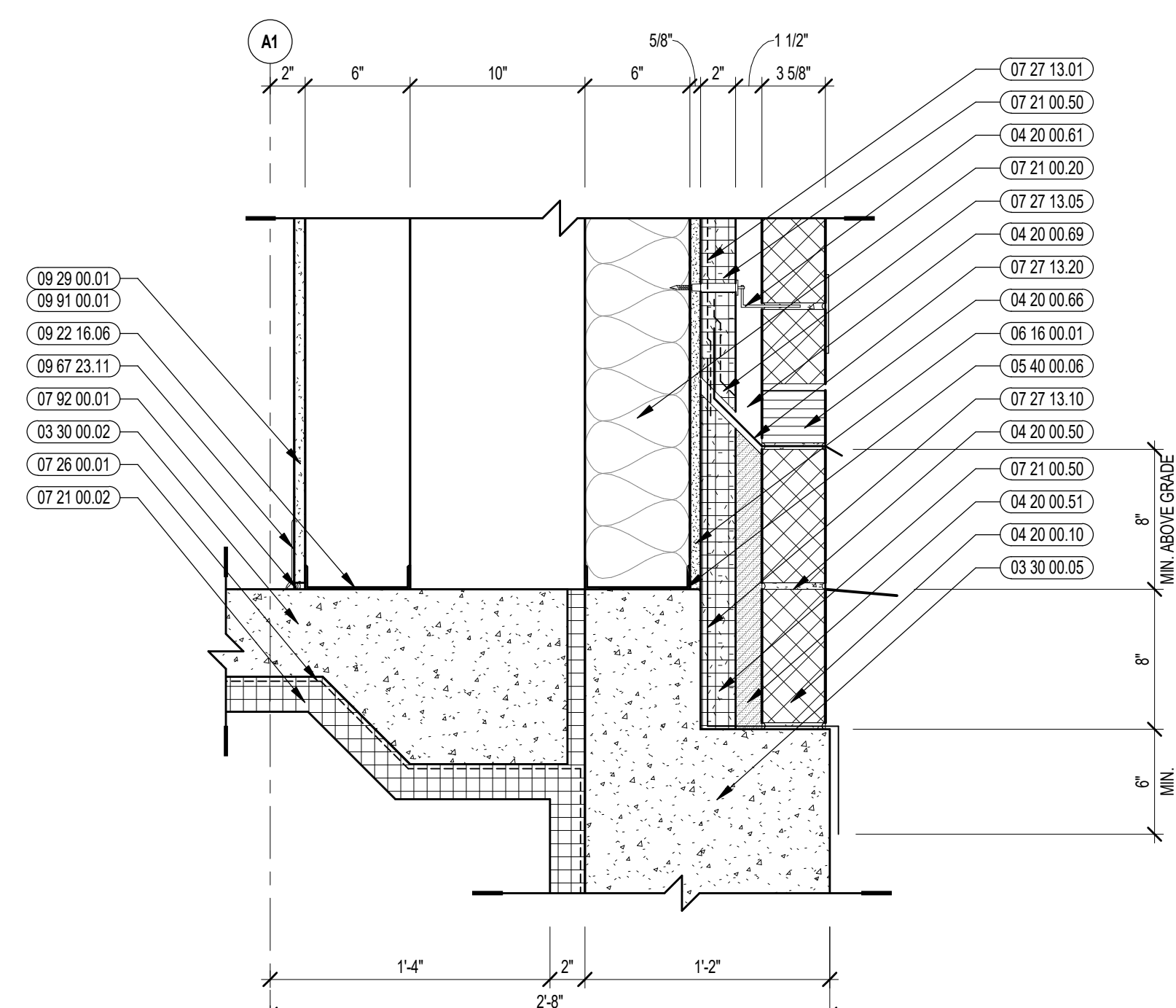
4 VERTICAL DETAIL
1 1/2" = 1'-0"



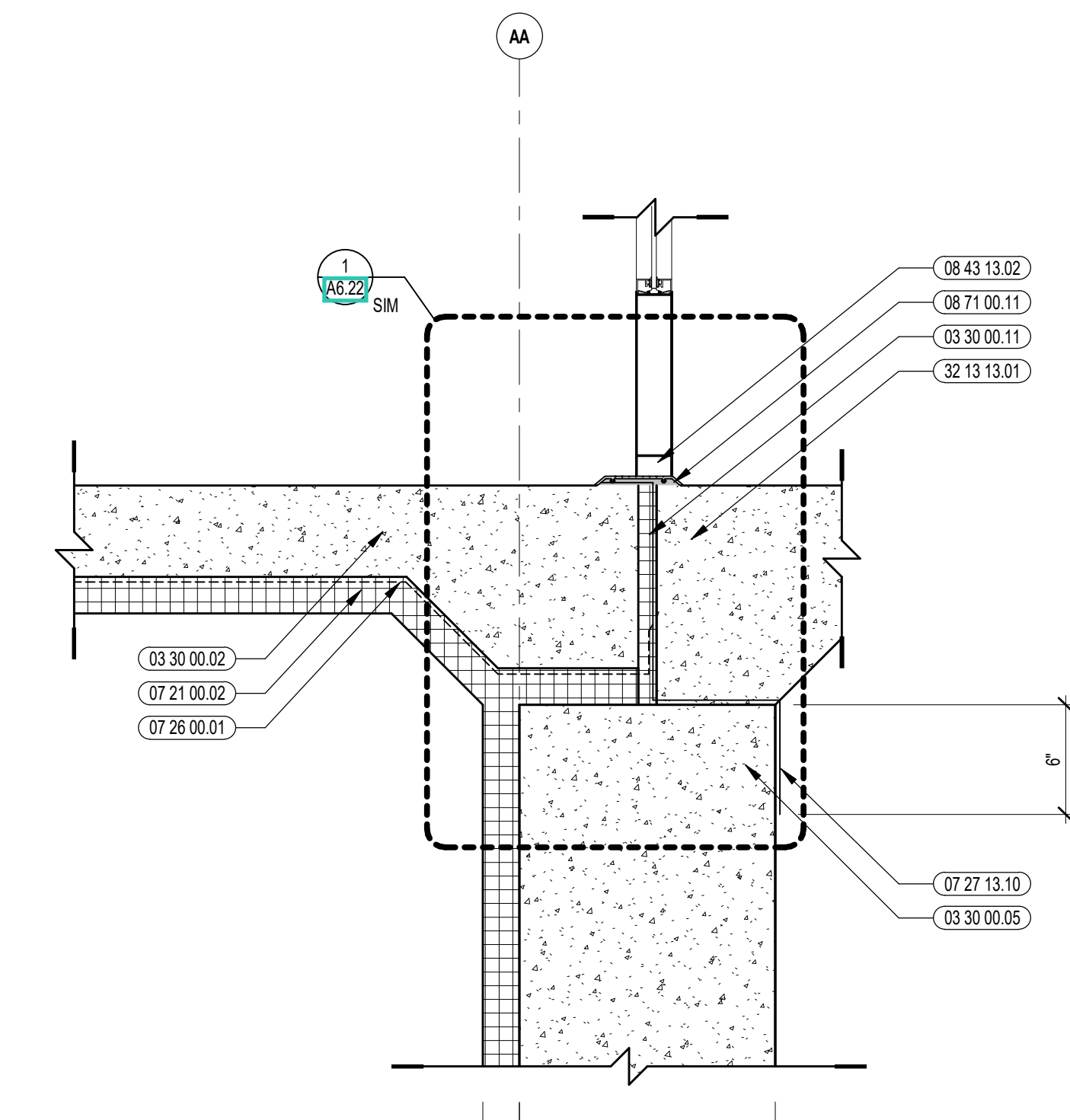
1 VERTICAL DETAIL
1 1/2" = 1'-0"



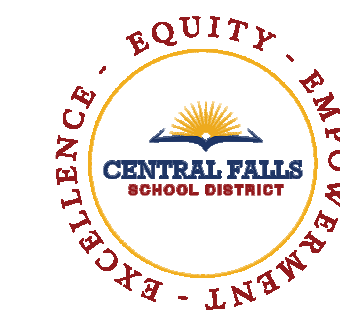
9 VERTICAL DETAIL
1 1/2" = 1'-0"



6 VERTICAL DETAIL
1 1/2" = 1'-0"



3 VERTICAL DETAIL
1 1/2" = 1'-0"

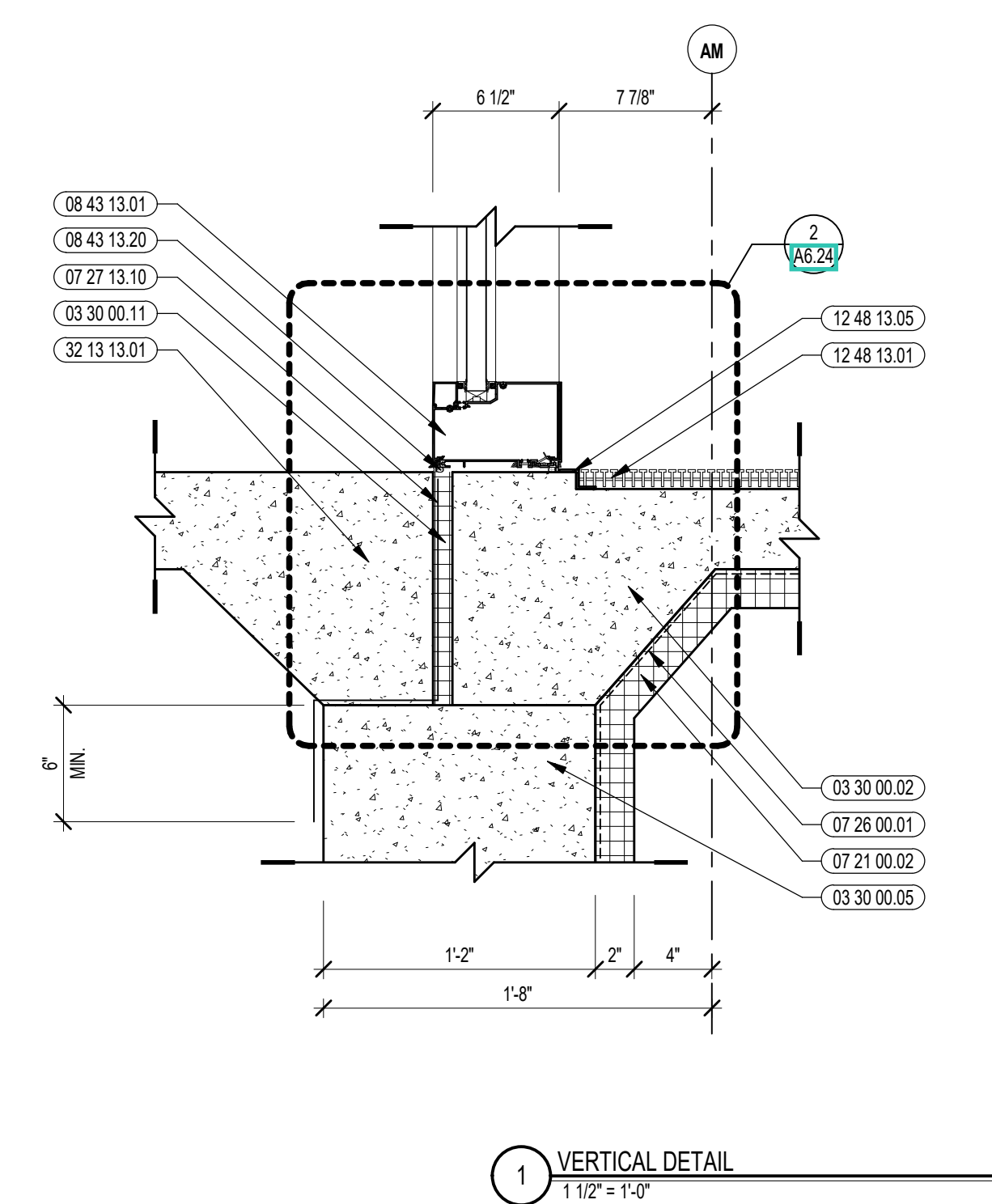
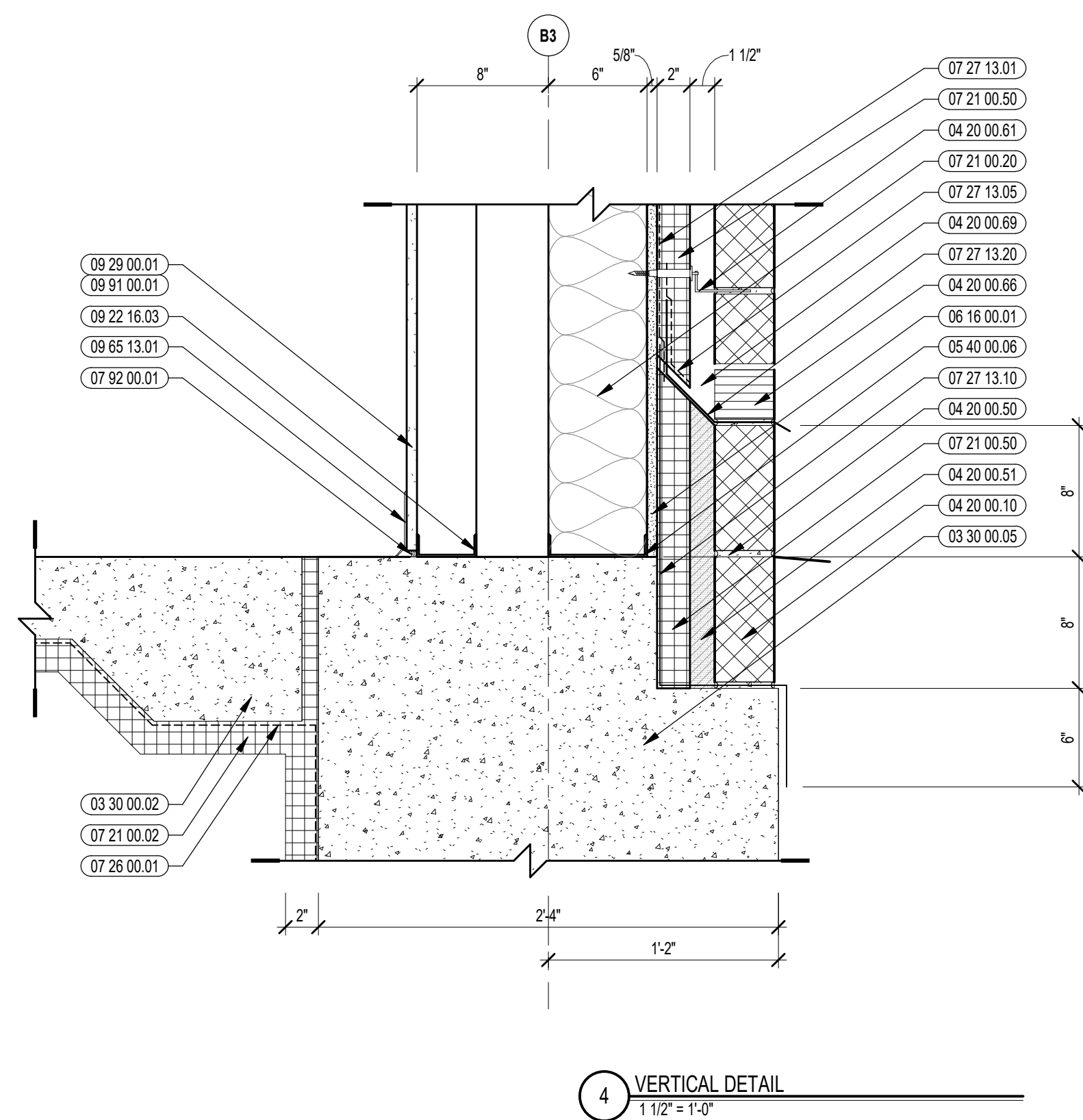
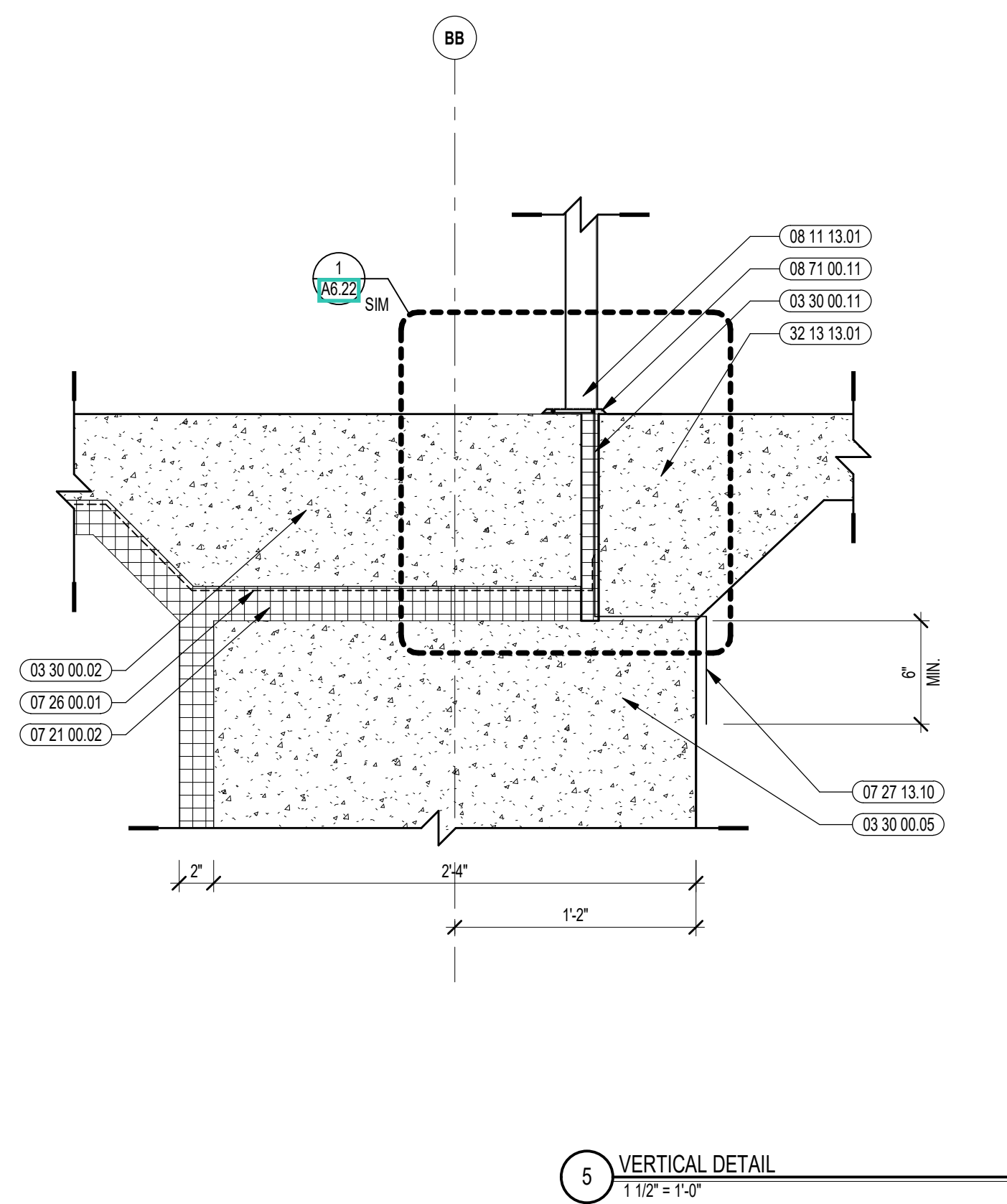
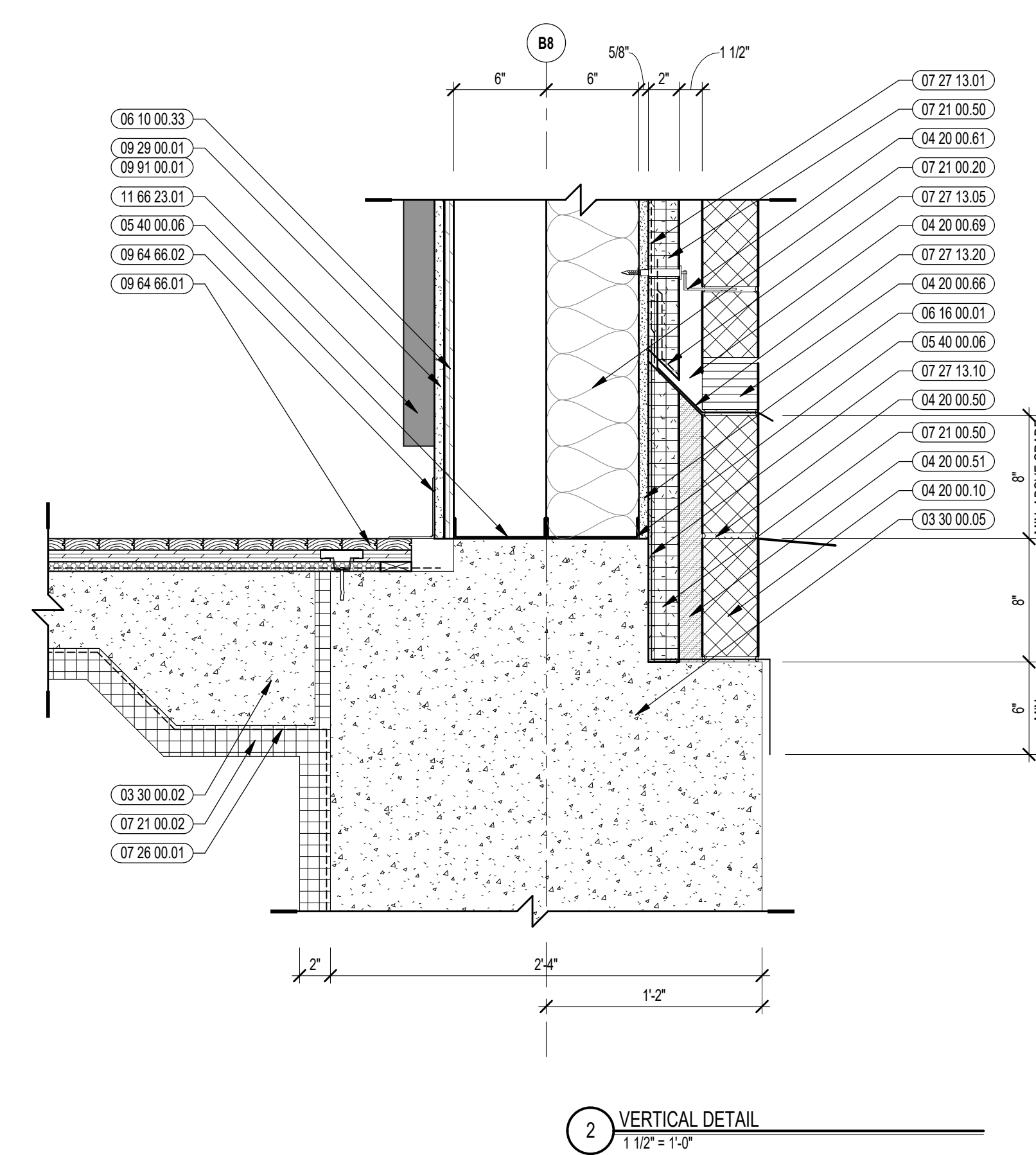
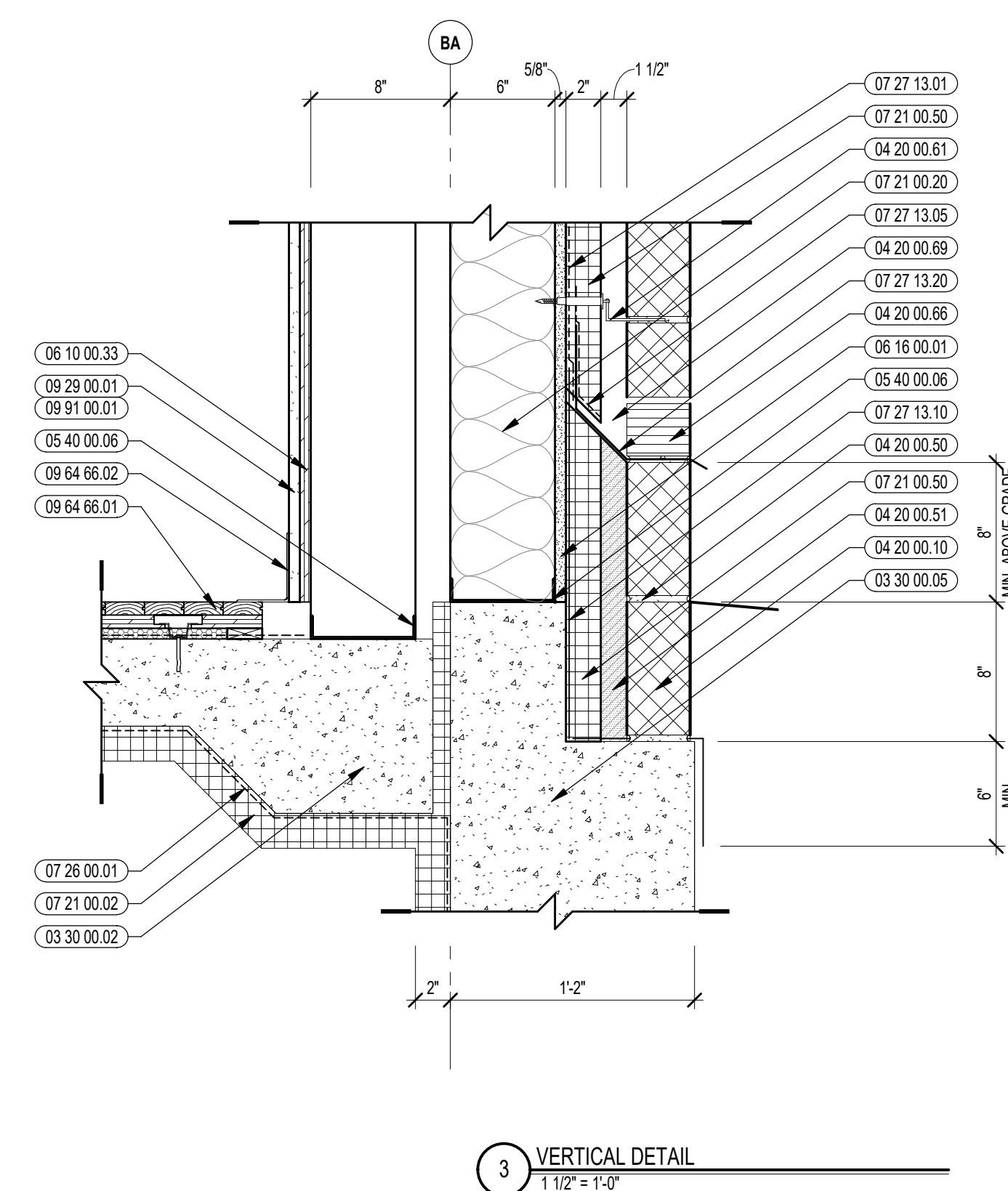


CENTRAL FALLS HIGH SCHOOL
10 HIGGINSON AVE, CENTRAL FALLS, RI

Copyright © 2023, A3 Architects, Inc.

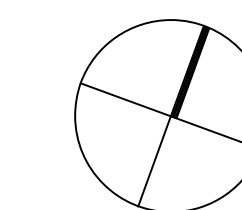
KEYNOTE LEGEND:

- 03 30 00 02 CONCRETE SLAB ON GRADE - SEE STRUCTURAL
- 03 30 00 05 CONCRETE FOUNDATION - SEE STRUCTURAL
- 03 30 00 11 EXPANDABLE JOINT FILLER
- 04 20 00 10 CMU BASE - GROUND FACE CMU - REFERENCE DETAILS FOR TYPE AND DEPTH
- 04 20 00 50 MASONRY MORTAR
- 04 20 00 51 GROUT FILL
- 04 20 00 61 TYPICAL MASONRY ANCHORTIES - REFERENCE SPECIFICATION FOR SPACING
- 04 20 00 66 WEEP HOLES - 24 INCHES O.C.
- 04 20 00 68 AIR SPACE - MAINTAIN CLEAR OF MORTAR
- 05 40 00 06 STEEL STUDS - 6 INCH - 16 INCHES O.C. MAX
- 06 10 00 33 PLYWOOD - 5/8 INCH
- 06 16 00 01 GYPSUM EXTERIOR SHEATHING - 5/8 INCH
- 07 21 00 02 RIGID INSULATION - 2 INCH - UNDER SLAB - HIGH COMPRESSIVE STRENGTH
- 07 21 00 20 GLASS FIBER BLANKET INSULATION - MATCH DEPTH OF STUD - UNFACED
- 07 21 00 50 MINERAL WOOL INSULATION - RIGID - EXTERIOR - 2 INCH
- 07 28 00 01 VAPOR RETARDER - UNDER SLAB
- 07 27 13 01 AIR VAPOR BARRIER MEMBRANE - SELF-ADHERING
- 07 27 13 05 AIR VAPOR BARRIER TRANSITION MEMBRANE - SELF-ADHERING
- 07 27 13 10 WATERPROOF MEMBRANE FLASHING
- 07 27 13 20 FLASHING - STAINLESS STEEL
- 07 52 00 01 JOINT SEALANT - TYPE AS REQUIRED
- 08 11 13 01 DOOR AND FRAME - SEE DOOR SCHEDULE
- 08 43 13 01 ALUMINUM STOREFRONT FRAME
- 08 43 13 20 SEALANT & BACKER ROD
- 08 71 00 11 ALUMINUM THRESHOLD
- 09 22 16 03 METAL STUD 3-5/8 INCH - 16 INCHES O.C. MAX
- 09 29 00 01 5/8 INCH GYPSUM BOARD - LEVEL 4 FINISH - 1 LAYER
- 09 64 66 01 WOOD ATHLETIC FLOOR
- 09 64 66 02 RUBBER COVE WALL BASE - VENTED
- 09 65 13 01 RUBBER BASE - 4 INCH
- 09 91 00 01 PAINT - SEE SCHEDULE
- 11 66 23 01 WALL PADDING - TYPE 1
- 12 48 13 01 RECESSED ENTRANCE MAT - REFERENCE DRAWINGS FOR SIZE
- 12 48 13 05 EXTRUDED ALUMINUM RECESSED FRAMING - Z SHAPE
- 32 13 13 01 SIDEWALK - SEE CIVILLANDSCAPE

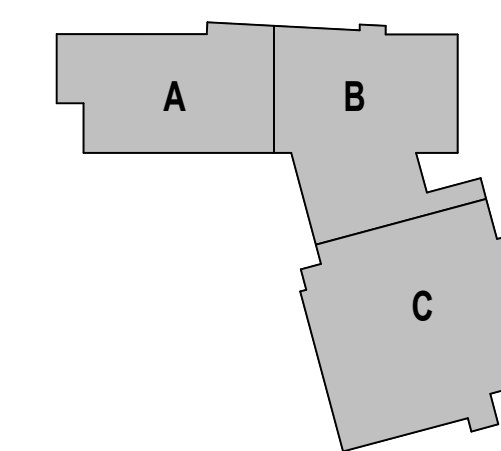


100% CONSTRUCTION DOCUMENTS

KEY PLAN NORTH ARROW



KEYPLAN



DRAWING NAME:

VERTICAL BASE DETAILS

DRAWN BY: BFC

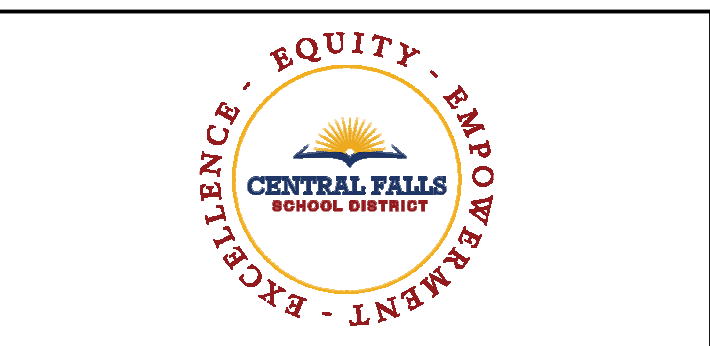
REVIEWED BY: CHR/KK

SCALE: AS INDICATED | DRAWING NUMBER:

JOB NO.: 2202.02

DATE: OCTOBER 13, 2023

A5.04



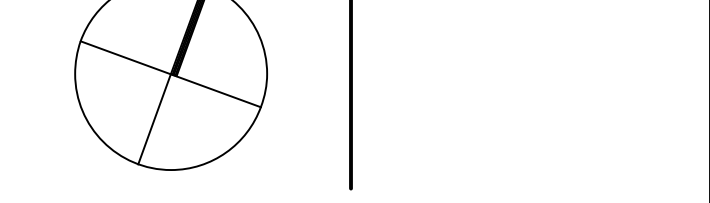
CENTRAL FALLS HIGH SCHOOL
10 HIGGINSON AVE, CENTRAL FALLS, RI

KEYNOTE LEGEND:

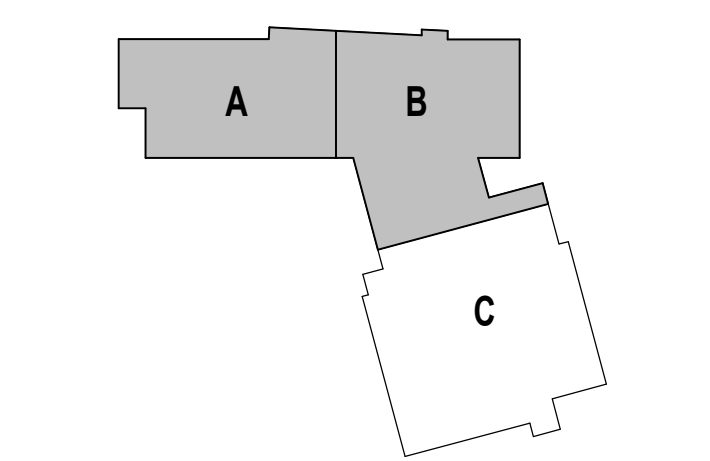
- 03 30 00.03 CONCRETE SLAB ON DECK - SEE STRUCTURAL
- 04 20 00.10 CMU BASE - GROUND FLOOR ONLY - REFERENCE DETAILS FOR TYPE AND DEPTH
- 04 20 00.03 COMPRESSIBLE FILLER AT TOP OF MASONRY PARTITIONS AND EXPANSION JOINTS
- 05 12 00.01 STEEL BEAM - SEE STRUCTURAL
- 05 12 00.06 STEEL TUBE - SEE STRUCTURAL
- 05 12 00.33 STEEL STIFFENER - SEE STRUCTURAL
- 05 12 00.36 STEEL PLATE BENT - SEE STRUCTURAL
- 05 40 00.03 STEEL STUDS - 3.58 INCH - 16 INCHES O.C. MAX
- 05 40 00.06 STEEL STUDS - 4 INCH - 16 INCHES O.C. MAX
- 05 40 00.19 STEEL Z-CLIP - 16 GAGE MIN. - 1 INCH MIN. DEPTH - 16 INCHES O.C. MAX
- 06 10 00.21 WOOD BLOCKING - (2X) FIRE RETARDANT TREATED - SIZE AS NOTED OR DRAWN
- 06 10 00.43 PLYWOOD PRESSURE TREATED - 5/8 INCH
- 06 10 00.99 WOOD BLOCKING - SIZE AS NOTED OR DRAWN
- 06 16 00.01 GYPSUM EXTERIOR SHEATHING - 5/8 INCH
- 06 20 00.04 HARDWOOD TRIM - BULLNOSE - TRANSPARENT FINISH
- 07 21 00.20 GLASS FIBER BLANKET INSULATION - MATCH DEPTH OF STUD - UNFACED
- 07 21 00.59 MINERAL WOOL INSULATION - RIGID - EXTERIOR - 2 INCH
- 07 21 00.60 MINERAL WOOL INSULATION - FOIL-FACED
- 07 21 00.61 FOIL SCRAM AND KRAFT TAPE
- 07 27 13.01 AIR/VAPOR BARRIER MEMBRANE - SELF-ADHERING
- 07 27 13.05 AIR/VAPOR BARRIER TRANSITION MEMBRANE - SELF-ADHERING
- 07 27 13.11 BACKER ROD - SIZE AND TYPE AS REQUIRED
- 07 27 13.20 FLASHING - STAINLESS STEEL
- 07 46 46.01 MINERAL FIBER CEMENT PANEL - REFERENCE ELEVATIONS FOR COLOR
- 07 46 46.20 MINERAL FIBER CEMENT SOFFIT - COLOR 1
- 07 46 46.54 HORIZONTAL TRIM - 16 INCHES O.C. MAX
- 07 46 46.58 DOUBLE HORIZONTAL TRIM
- 07 48 00.11 HORIZONTAL GRIT - REFER TO SHOP DRAWINGS FOR SIZE
- 07 48 00.12 VERTICAL PANEL RAIL - REFER TO SHOP DRAWINGS FOR SIZE
- 07 48 00.22 STAINLESS STEEL SELF-DRILLING SCREW WITH THERMAL ISOLATION
- 07 54 19.03 POLYISO RIGID INSULATION
- 07 54 19.09 SHEET VAPOR RETARDER - TAPE SEAMS
- 07 61 00.01 SHEET METAL - STANDING SEAM
- 07 61 00.02 CLIPS WITH FASTENERS
- 07 61 00.04 3/8" ROOFING FELT
- 07 61 00.01 CEMENTITIOUS FIREPROOFING
- 07 84 00.01 FIRE SAFING MINERAL WOOL
- 07 92 00.01 JOINT SEALANT - TYPE AS REQUIRED
- 08 43 13.01 ALUMINUM STOREFRONT FRAME
- 08 43 13.30 SPANDREL GLASS
- 08 43 13.31 SUBFRAME / RECEPTOR
- 08 43 13.60 STEEL BACK PAN
- 08 44 13.01 ALUMINUM CURTAIN WALL FRAME
- 08 44 13.30 SPANDREL GLASS
- 08 44 13.60 STEEL BACK PAN
- 09 22 16.03 METAL STUD - 3.58 INCH - 16 INCHES O.C. MAX
- 09 22 16.06 METAL STUD - 4 INCH - 16 INCHES O.C. MAX
- 09 29 00.01 5/8 INCH GYPSUM BOARD - LEVEL 4 FINISH - 1 LAYER
- 09 29 00.02 5/8 INCH GYPSUM BOARD - LEVEL 4 FINISH - 2 LAYERS
- 09 29 00.21 5/8 INCH GYPSUM BOARD - LEVEL 4 FINISH - SAG-RESISTANT
- 09 29 00.43 CORNER BEAD
- 09 91 00.02 ACT TYPE-2

100% CONSTRUCTION DOCUMENTS

KEY PLAN NORTH ARROW



KEYPLAN



DRAWING NAME:

VERTICAL WALL DETAILS

DRAWN BY: BFC

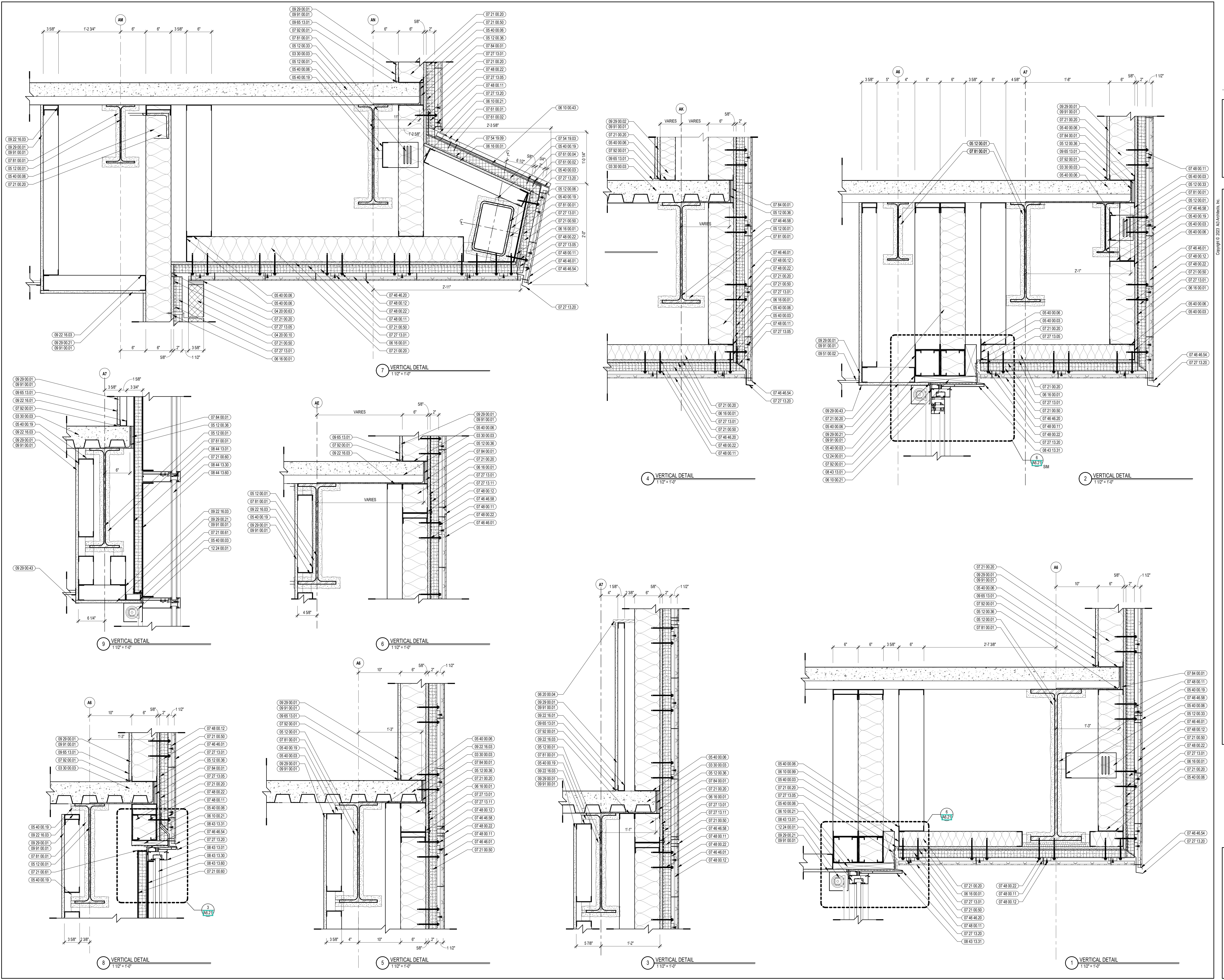
REVIEWED BY: CHR/KK

SCALE: AS INDICATED | DRAWING NUMBER:

JOB NO.: 2202.02

DATE: OCTOBER 13, 2023

A5.11





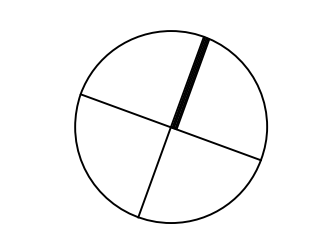
CENTRAL FALLS HIGH SCHOOL
10 HIGGINSON AVE, CENTRAL FALLS, RI

KEYNOTE LEGEND:

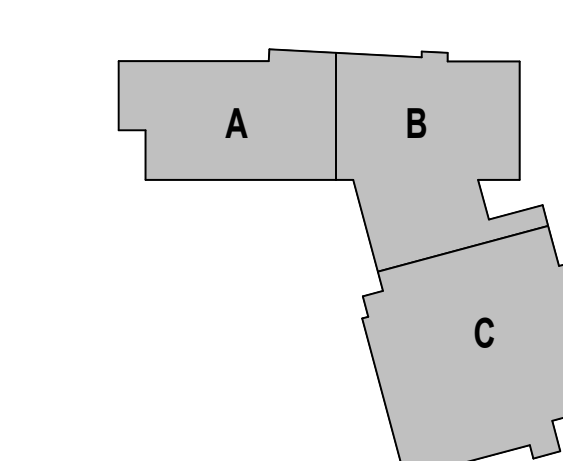
- 03 30 00.01 CONCRETE SLAB ON DECK - SEE STRUCTURAL
- 05 12 00.01 STEEL BEAM - SEE STRUCTURAL
- 05 12 00.06 STEEL TUBE - SEE STRUCTURAL
- 05 12 00.36 STEEL PLATE BENT - SEE STRUCTURAL
- 05 31 00.11 STEEL ROOF DECK - 3 INCH GALVANIZED - SEE STRUCTURAL
- 05 40 00.02 STEEL STUDS - 2 1/2 INCH - 16 INCHES O.C. MAX
- 05 40 00.03 STEEL STUDS - 3 5/8 INCH - 16 INCHES O.C. MAX
- 05 40 00.06 STEEL STUDS - 6 INCH - 16 INCHES O.C. MAX
- 05 40 00.18 STEEL Z-CHEANNEL - 16 GAGE MIN.
- 05 40 00.19 STEEL Z-LIP - 16 GAGE MIN. - 1 INCH MIN. DEPTH - 16 INCHES O.C. MAX
- 05 51 00.30 EXTERIOR STEEL PIPE HANDRAIL AND BRACKET - SEE LANDSCAPE DRAWINGS
- 06 10 00.21 WOOD BLOCKING - 2X12 FIRE RETARDANT TREATED - SIZE AS NOTED OR DRAWN
- 06 10 00.33 PLYWOOD - 5/8 INCH
- 06 10 00.34 PLYWOOD - 3/4 INCH
- 06 10 00.43 PLYWOOD PRESSURE TREATED - 5/8 INCH
- 06 16 00.01 GYPSUM EXTERIOR SHEATHING - 5/8 INCH
- 06 20 00.04 HARDWOOD TRIM - BULLNOSE - TRANSPARENT FINISH
- 06 20 00.49 HARDSHORE STAGE FLOORING
- 07 21 00.20 GLASS FIBER BLANKET INSULATION - MATCH DEPTH OF STUD - UNFACED
- 07 21 00.50 MINERAL WOOL INSULATION - RIGID - EXTERIOR - 2 INCH
- 07 21 00.60 MINERAL WOOL INSULATION - FOIL-FACED
- 07 21 00.61 FOIL, SCRM. AND KRAFT TAPE
- 07 27 13.01 AIR VAPOR BARRIER MEMBRANE - SELF-ADHERING
- 07 27 13.05 AIR VAPOR BARRIER TRANSITION MEMBRANE - SELF-ADHERING
- 07 27 13.20 BACKER ROD - SIZE AND TYPE AS REQUIRED
- 07 46 46.51 MINERAL FIBER CEMENT PANEL - REFERENCE ELEVATIONS FOR COLOR
- 07 46 46.54 HORIZONTAL Z TRIM
- 07 46 46.58 DOUBLE HORIZONTAL TRIM
- 07 48 00.11 HORIZONTAL GRIT - REFER TO SHOP DRAWINGS FOR SIZE
- 07 48 00.12 VERTICAL PANEL RAIL - REFER TO SHOP DRAWINGS FOR SIZE
- 07 48 00.22 STAINLESS STEEL SELF-DRILLING SCREW WITH THERMAL ISOLATION
- 07 54 19.01 PVC SINGLE PLY MEMBRANE ROOFING
- 07 54 19.02 HIGH DENSITY POLYISO RECOVERY BOARD
- 07 54 19.03 POLYISO RIGID INSULATION
- 07 54 19.04 POLYISO TAPERED INSULATION
- 07 54 19.09 SHEET VAPOR RETARDER - TAPE SEAMS
- 07 54 19.80 WALKWAY PADS
- 07 72 00.81 ROOF PAVEN - CONCRETE
- 07 72 00.82 ROOF PAVEN - ADJUSTABLE PEDESTAL
- 07 81 00.01 CEMENTITIOUS FIREPROOFING
- 07 84 00.01 FIRE SAFING MINERAL WOOL
- 07 92 00.01 JOINT SEALANT - TYPE AS REQUIRED
- 08 43 13.01 ALUMINUM STOREFRONT FRAME
- 08 43 13.30 SPANDREL GLASS
- 08 43 13.31 SUB-FRAME/ RECEPTOR
- 08 43 13.40 STEEL BACK PAN
- 08 44 13.01 ALUMINUM CURTAIN WALL FRAME
- 08 44 13.30 SPANDREL GLASS
- 08 44 13.35 STEEL BACK PAN
- 09 22 16.01 METAL STUD 1-5/8 INCH - 16 INCHES O.C. MAX
- 09 22 16.02 METAL STUD 2-1/2 INCH - 16 INCHES O.C. MAX
- 09 22 16.03 METAL STUD 3-5/8 INCH - 16 INCHES O.C. MAX
- 09 22 16.06 METAL STUD 6 INCH - 16 INCHES O.C. MAX

100% CONSTRUCTION DOCUMENTS

KEY PLAN NORTH ARROW



KEYPLAN



DRAWING NAME:

VERTICAL WALL DETAILS

DRAWN BY: BFC

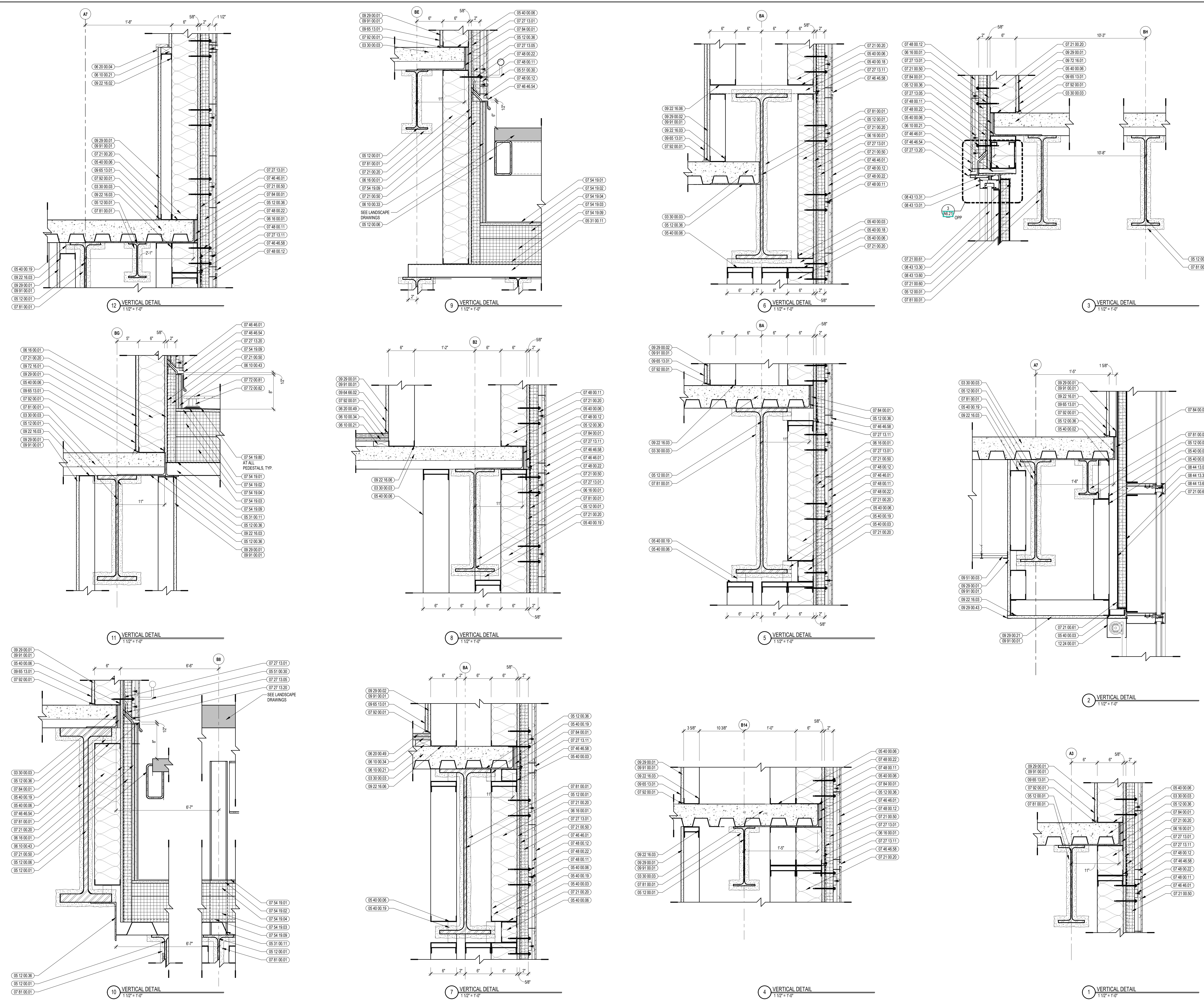
REVIEWED BY: CHR/KK

SCALE: AS INDICATED | DRAWING NUMBER:

JOB NO.: 2202.02

DATE: OCTOBER 13, 2023

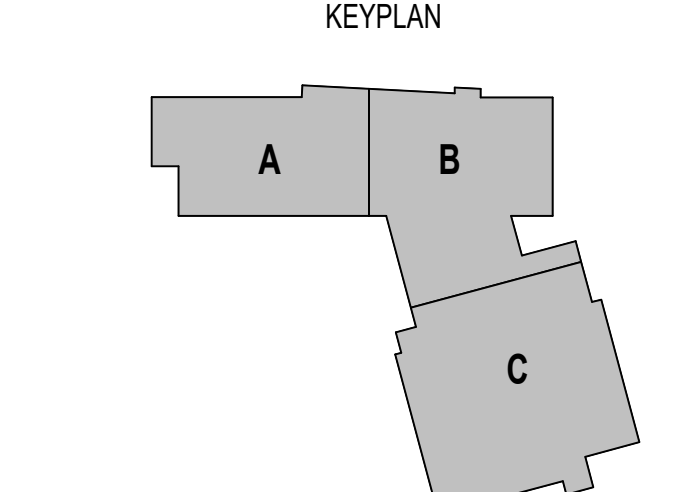
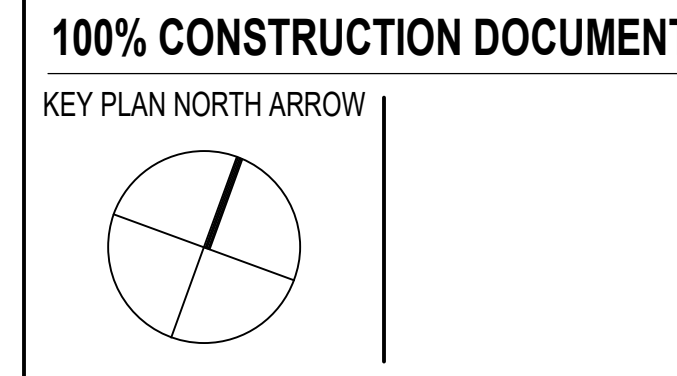
A5.12





CENTRAL FALLS HIGH SCHOOL
10 HIGGINSON AVE, CENTRAL FALLS, RI

- KEYNOTE LEGEND:**
- 03.00.03 CONCRETE SLAB ON DECK - SEE STRUCTURAL
 - 04.20.010 CMU BASE - GROUND/FACE CMU - REFERENCE DETAILS FOR TYPE AND DEPTH
 - 04.20.061 TYPICAL MASONRY ANCHORTIES - REFERENCE SPECIFICATION FOR SPACING
 - 04.20.063 COMPRESSIVE FILLER AT TOP OF MASONRY PARTITIONS AND EXPANSION JOINTS
 - 05.12.001 STEEL BEAM - SEE STRUCTURAL
 - 05.12.003 STEEL TUBE - SEE STRUCTURAL
 - 05.12.006 STEEL STEPFENER - SEE STRUCTURAL
 - 05.12.008 STEEL PLATE BEEL - SEE STRUCTURAL
 - 05.31.011 STEEL ROOF DECK - 3 INCH GALVANIZED - SEE STRUCTURAL
 - 05.40.003 STEEL STUDS - 3.58 INCH - 16 INCHES O.C. MAX
 - 05.40.006 STEEL STUDS - 6 INCH - 16 INCHES O.C. MAX
 - 05.40.019 STEEL Z CLIP - 16 GAGE MIN. - 1 INCH MIN. DEPTH - 16 INCHES O.C. MAX
 - 05.51.003 STEEL CHANNEL STRINGER
 - 05.51.007 STEEL TUBE STRINGER
 - 06.10.021 WOOD BLOCKING - (2X) FIRE RETARDANT TREATED - SIZE AS NOTED OR DRAWN
 - 06.10.033 PLYWOOD - 5/8 INCH
 - 06.10.034 PLYWOOD - 3/4 INCH
 - 06.10.043 PLYWOOD PRESSURE TREATED - 5/8 INCH
 - 06.10.049 WOOD BLOCKING - SIZE AS NOTED OR DRAWN
 - 06.16.001 GYPSUM EXTERIOR SHEATHING - 5/8 INCH
 - 06.20.004 HARDWOOD TRIM - BULLNOSE - TRANSPARENT FINISH
 - 07.21.0020 GLASS FIBER BLANKET INSULATION - MATCH DEPTH OF STUD UNFACED
 - 07.21.0050 MINERAL WOOL INSULATION - RIGID - EXTERIOR - 2 INCH
 - 07.21.0060 MINERAL WOOL INSULATION - FOIL-FACED
 - 07.21.0081 FOIL SCROLL AND WRAP TAPE
 - 07.27.13.01 AIR VAPOR BARRIER MEMBRANE - SELF-ADHERING
 - 07.27.13.05 AIR VAPOR BARRIER TRANSITION MEMBRANE - SELF-ADHERING
 - 07.46.46.01 FLASHING - STAINLESS STEEL
 - 07.46.46.01 MINERAL FIBER CEMENT PANEL - REFERENCE ELEVATIONS FOR COLOR
 - 07.46.46.20 MINERAL FIBER CEMENT SOFFIT - COLOR 1
 - 07.46.46.54 HORIZONTAL Z TRIM
 - 07.46.46.58 DOUBLE HORIZONTAL TRIM
 - 07.48.00.11 HORIZONTAL GRIT - REFER TO SHOP DRAWINGS FOR SIZE
 - 07.48.00.12 VERTICAL PANEL RAIL - REFER TO SHOP DRAWINGS FOR SIZE
 - 07.48.00.22 STAINLESS STEEL SELF-DRILLING SCREW WITH THERMAL ISOLATION
 - 07.54.19.01 PVC SINGLE PLY MEMBRANE ROOFING
 - 07.54.19.02 HIGH DENSITY POLYISO RECOVERY BOARD
 - 07.54.19.03 POLYISO RIGID INSULATION
 - 07.54.19.04 POLYISO TAPERED INSULATION
 - 07.54.19.09 SHEET VAPOR RETARDER - TAPE SEAMS
 - 07.61.00.01 SHEET METAL - STANDING SEAM
 - 07.61.00.02 CLIPS WITH FASTENERS
 - 07.61.00.04 30# ROOFING FELT
 - 07.61.00.01 CEMENTITIOUS FIREPROOFING
 - 07.61.00.01 FIRE SAFING MINERAL WOOL
 - 07.62.00.01 JOINT SEALANT - TYPE AS REQUIRED
 - 08.43.13.01 ALUMINUM STOREFRONT FRAME
 - 08.43.13.02 ALUMINUM ENTRANCE DOOR
 - 08.43.13.05 PERIMETER SEALANT
 - 08.43.13.30 SPANDREL GLASS
 - 08.43.13.31 SUB-FRAME RECEPTOR
 - 08.43.13.60 STEEL BACK PAN
 - 08.44.13.01 ALUMINUM CURTAIN WALL FRAME



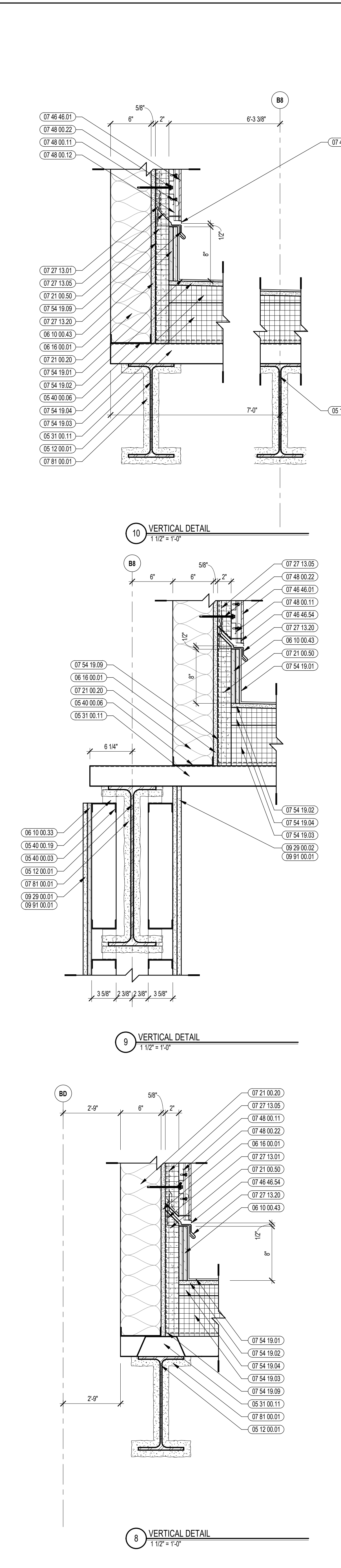
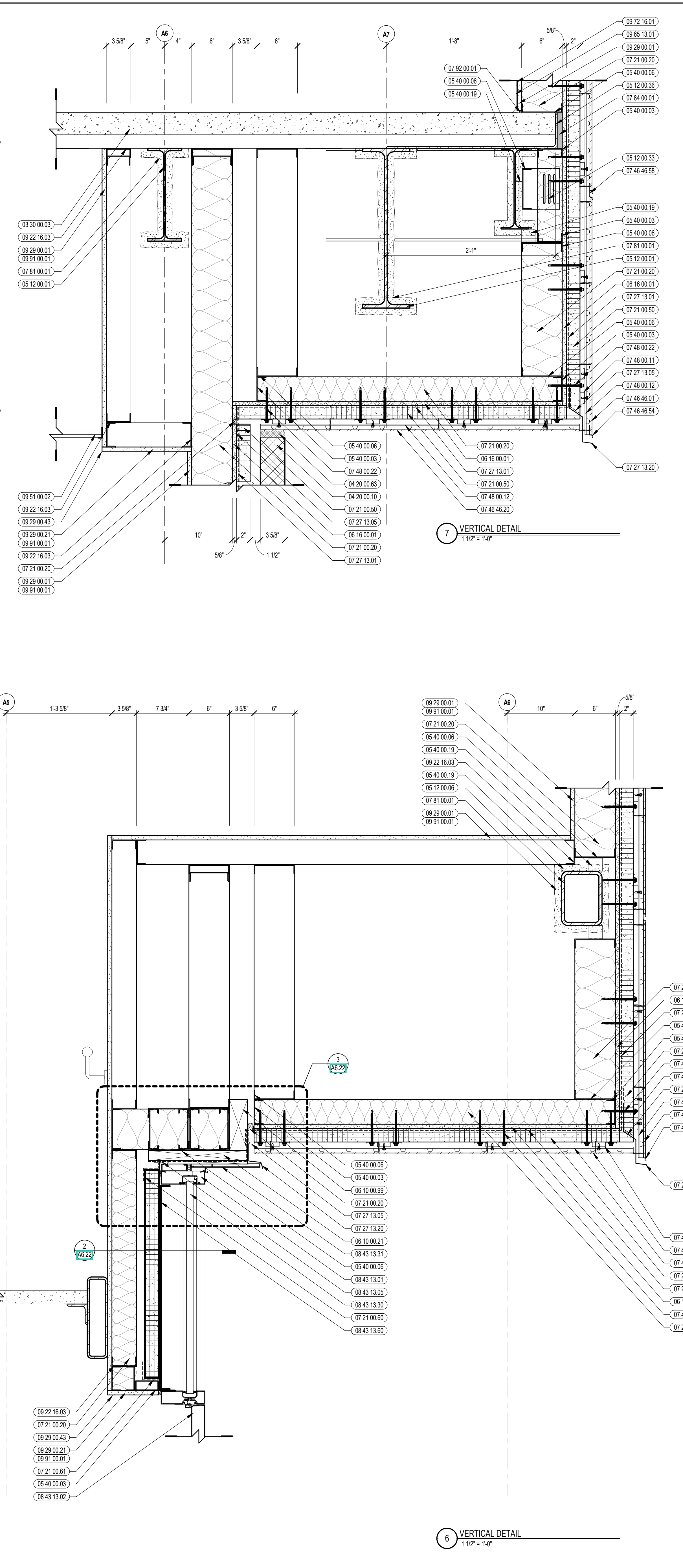
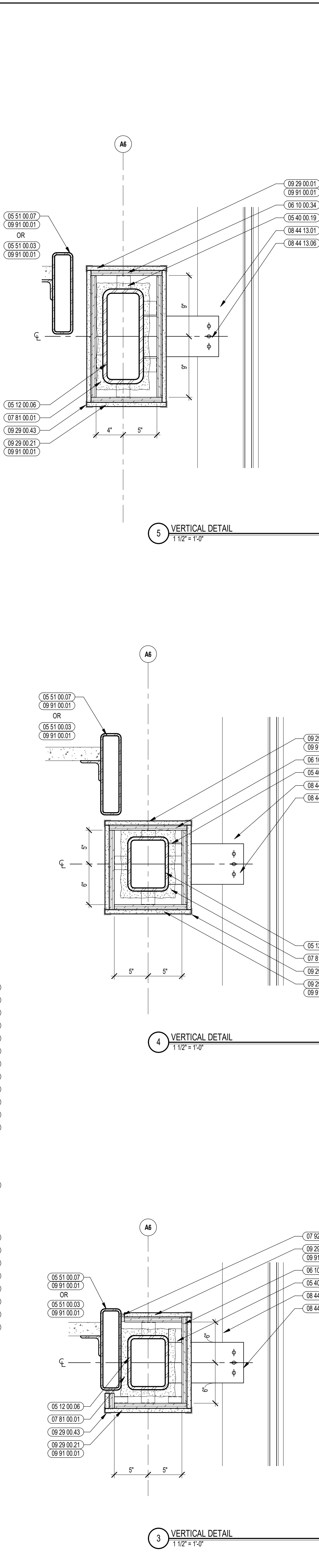
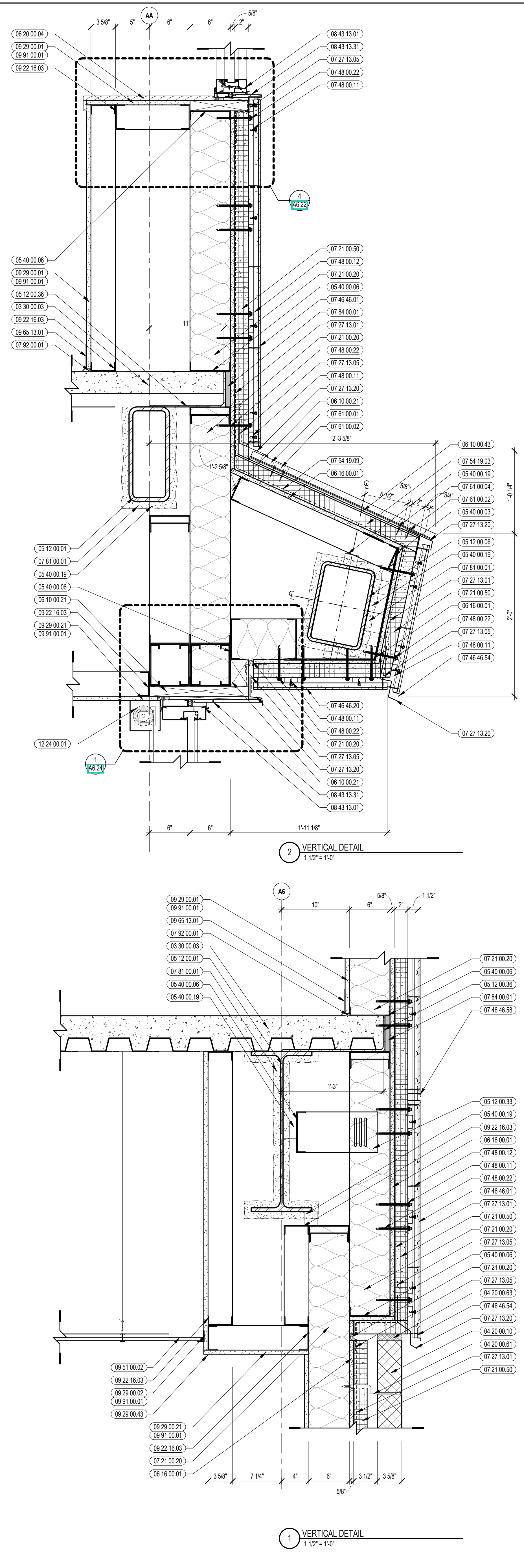
100% CONSTRUCTION DOCUMENTS

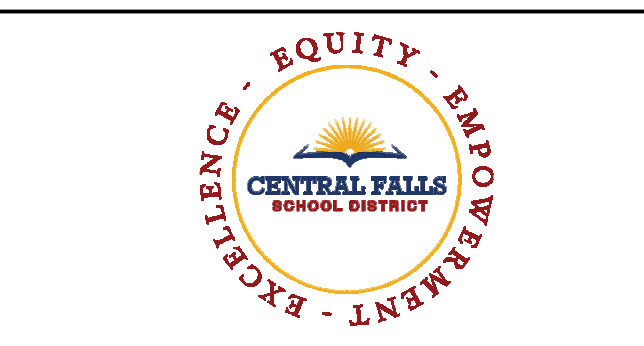
KEY PLAN NORTH ARROW

KEY PLAN

DRAWING NAME:
VERTICAL WALL DETAILS

DRAWN BY: BFC
REVIEWED BY: CHR/KK
SCALE: AS INDICATED
JOB NO.: 2202.02
DATE: OCTOBER 13, 2023
DRAWING NUMBER:
A5.13

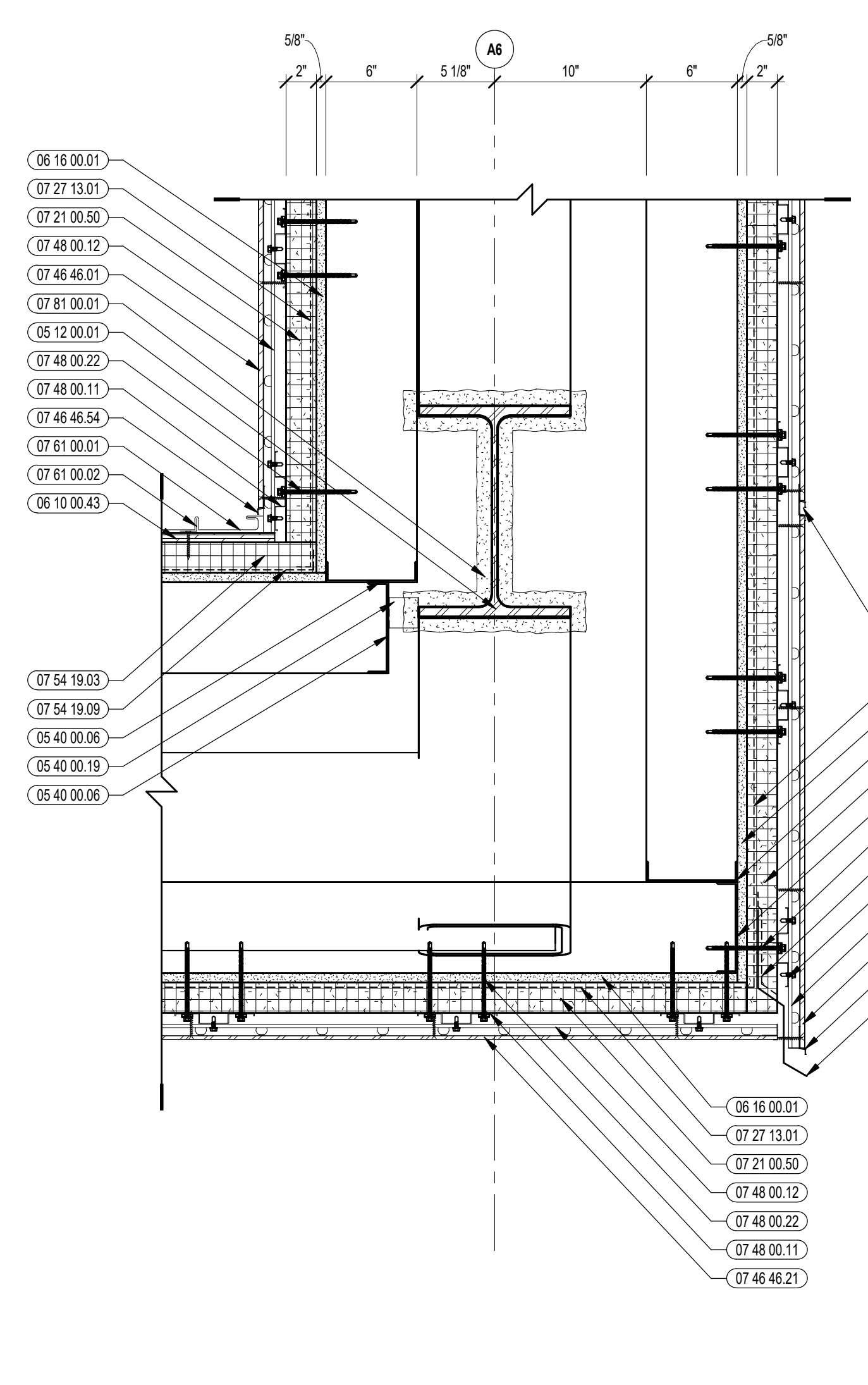




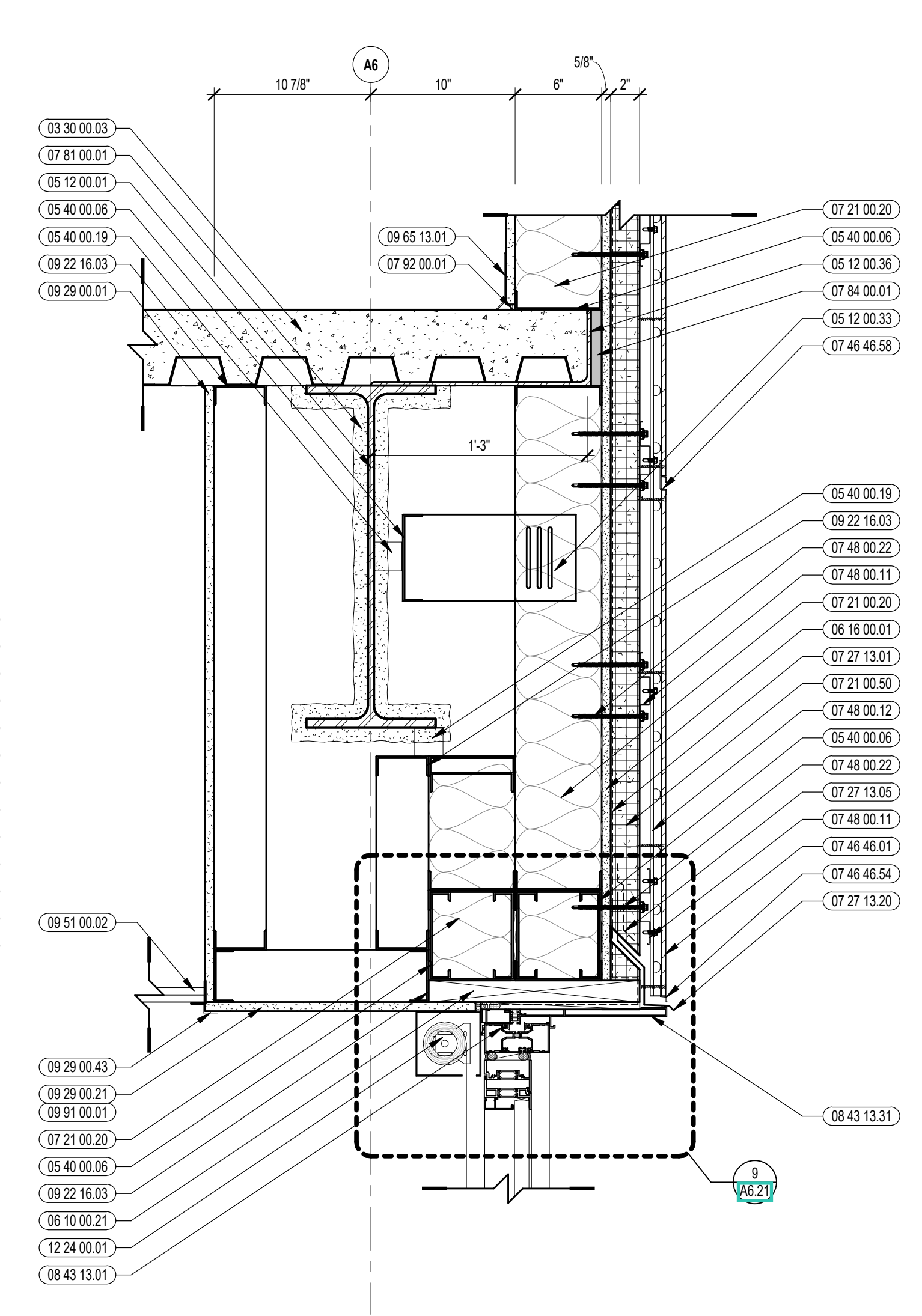
CENTRAL FALLS HIGH SCHOOL
10 HIGGINSON AVE, CENTRAL FALLS, RI

KEYNOTE LEGEND:

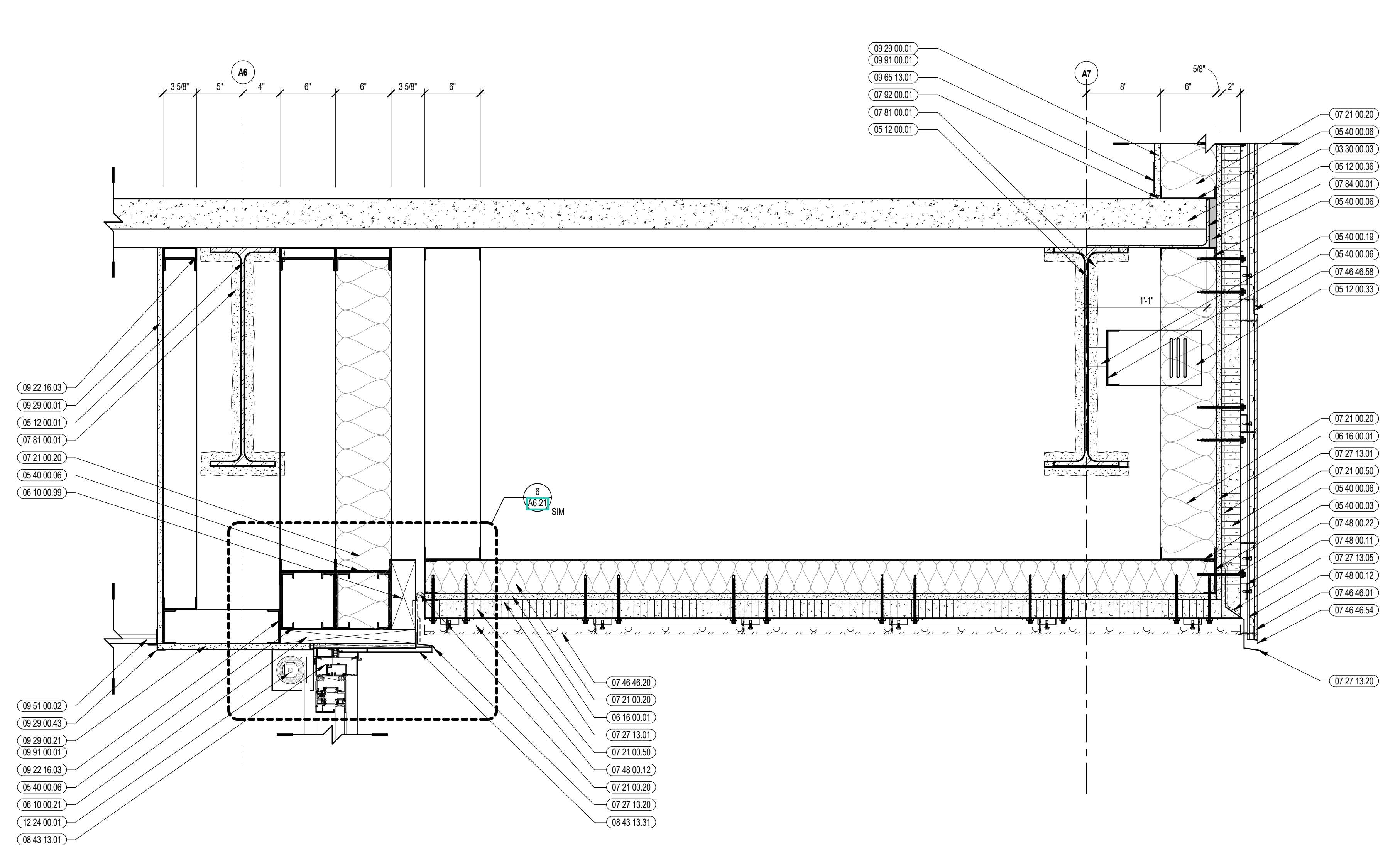
- 03 30 00.03 CONCRETE SLAB ON DECK - SEE STRUCTURAL
- 04 20 00.10 CMU BASE - GROUND FLOOR CMU - REFERENCE
- 04 20 00.61 TYPICAL MASONRY ANCHORTIES - REFERENCE SPECIFICATION FOR SPACING
- 04 20 00.63 COMPRESSIBLE FILLER AT TOP OF MASONRY PARTITIONS AND EXPANSION JOINTS
- 05 12 00.01 STEEL BEAM - SEE STRUCTURAL
- 05 12 00.06 STEEL TUBE - SEE STRUCTURAL
- 05 12 00.33 STEEL STIFFENER - SEE STRUCTURAL
- 05 12 00.36 STEEL PLATE BENT - SEE STRUCTURAL
- 05 31 00.11 STEEL ROOF DECK - 3 INCH GALVANIZED - SEE STRUCTURAL
- 05 40 00.03 STEEL STUDS - 3.58 INCH - 16 INCHES O.C. MAX
- 05 40 00.06 STEEL STUDS - 4 INCH - 16 INCHES O.C. MAX
- 05 40 00.19 STEEL Z-CLIP - 16 GAGE MIN. - 1 INCH MIN. DEPTH - 16 INCHES O.C. MAX
- 05 51 00.03 STEEL CHANNEL STRINGER
- 05 51 00.07 STEEL TUBE STRINGER
- 06 10 00.21 WOOD BLOCKING - (2X) FIRE RETARDANT TREATED - SIZE AS NOTED OR DRAWN
- 06 10 00.34 PLYWOOD - 3/4 INCH
- 06 10 00.43 PLYWOOD PRESSURE TREATED - 5/8 INCH
- 06 10 00.59 WOOD BLOCKING - SIZE AS NOTED OR DRAWN
- 06 16 00.01 GYPSUM EXTERIOR SHEATHING - 5/8 INCH
- 06 20 00.06 HARDWOOD GUARDRAIL CAP - TRANSPARENT FINISH
- 07 21 00.20 GLASS FIBER BLANKET INSULATION - MATCH DEPTH OF STUD - UNFACED
- 07 21 00.50 MINERAL WOOL INSULATION - RIGID - EXTERIOR - 2 INCH
- 07 21 00.59 MINERAL WOOL INSULATION - FOIL-FACED
- 07 21 00.61 FOIL, SCRM. AND KRAFT TAPE
- 07 27 13.01 AIRVAPOR BARRIER MEMBRANE - SELF-ADHERING
- 07 27 13.05 AIRVAPOR BARRIER TRANSITION MEMBRANE - SELF-ADHERING
- 07 27 13.20 FLASHING - STAINLESS STEEL
- 07 46 46.01 MINERAL FIBER CEMENT PANEL - REFERENCE ELEVATIONS FOR COLOR
- 07 46 46.20 MINERAL FIBER CEMENT SOFFIT - COLOR 1
- 07 46 46.54 MINERAL FIBER CEMENT SOFFIT - COLOR 2
- 07 46 46.54 HORIZONTAL Z TRIM
- 07 46 46.58 DOUBLE HORIZONTAL TRIM
- 07 48 00.11 HORIZONTAL GIRT - REFER TO SHOP DRAWINGS FOR SIZE
- 07 48 00.12 VERTICAL PANEL RAIL - REFER TO SHOP DRAWINGS FOR SIZE
- 07 48 00.22 STAINLESS STEEL SELF-DRILLING SCREW WITH THERMAL ISOLATION
- 07 54 19.01 PVC SINGLE PLY MEMBRANE ROOFING
- 07 54 19.02 HIGH DENSITY POLYISO RECOVERY BOARD
- 07 54 19.03 POLYISO RIGID INSULATION
- 07 54 19.04 POLYISO TAPERED INSULATION
- 07 54 19.09 SHEET VAPOR RETARDER - TAPE SEAMS
- 07 61 00.01 SHEET METAL - STANDING SEAM
- 07 61 00.02 CLIPS WITH FASTENERS
- 07 61 00.03 CEMENTITIOUS FIREPROOFING
- 07 84 00.01 FIRE SAFING MINERAL WOOL
- 07 92 00.01 JOINT SEALANT - TYPE AS REQUIRED
- 08 43 13.01 ALUMINUM STOREFRONT FRAME
- 08 43 13.30 SPANDREL GLASS
- 08 43 13.31 SUB-FRAME / RECEPTOR
- 08 43 13.80 STEEL BACK PAN
- 09 22 16.03 METAL STUD 3.58 INCH - 16 INCHES O.C. MAX
- 09 29 00.01 5/8 INCH GYPSUM BOARD - LEVEL 4 FINISH - 1 LAYER
- 09 29 00.21 5/8 INCH GYPSUM BOARD - LEVEL 4 FINISH - SAG-RESISTANT



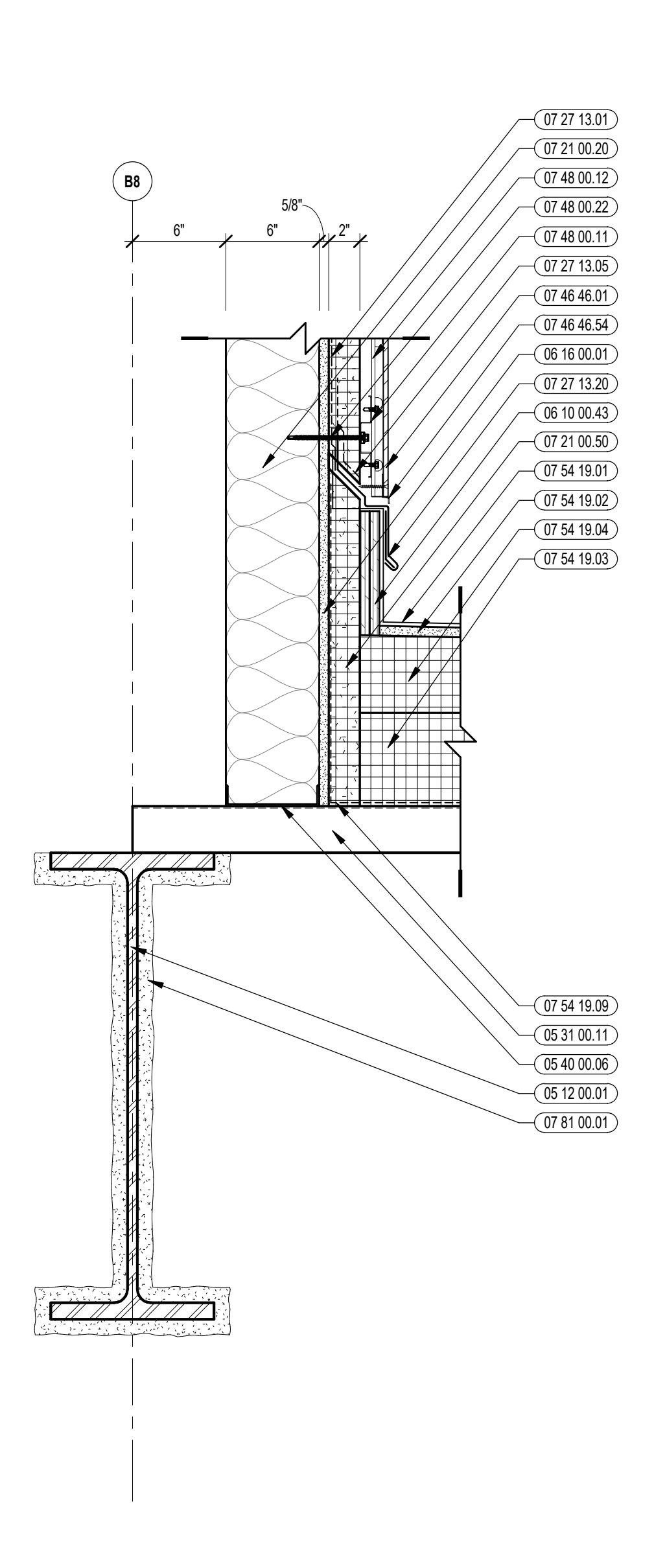
7 VERTICAL DETAIL
1 1/2" = 1'-0"



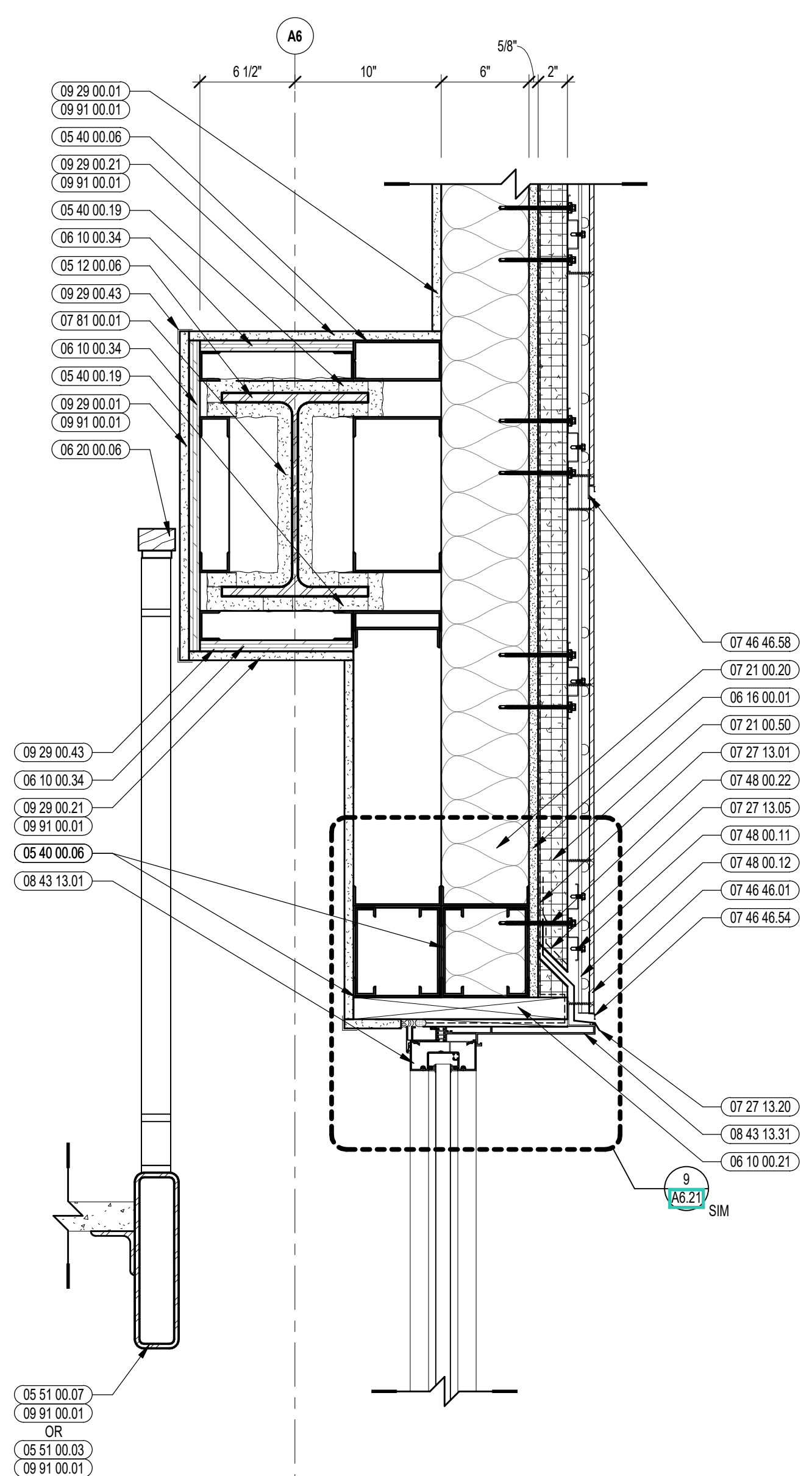
4 VERTICAL DETAIL
1 1/2" = 1'-0"



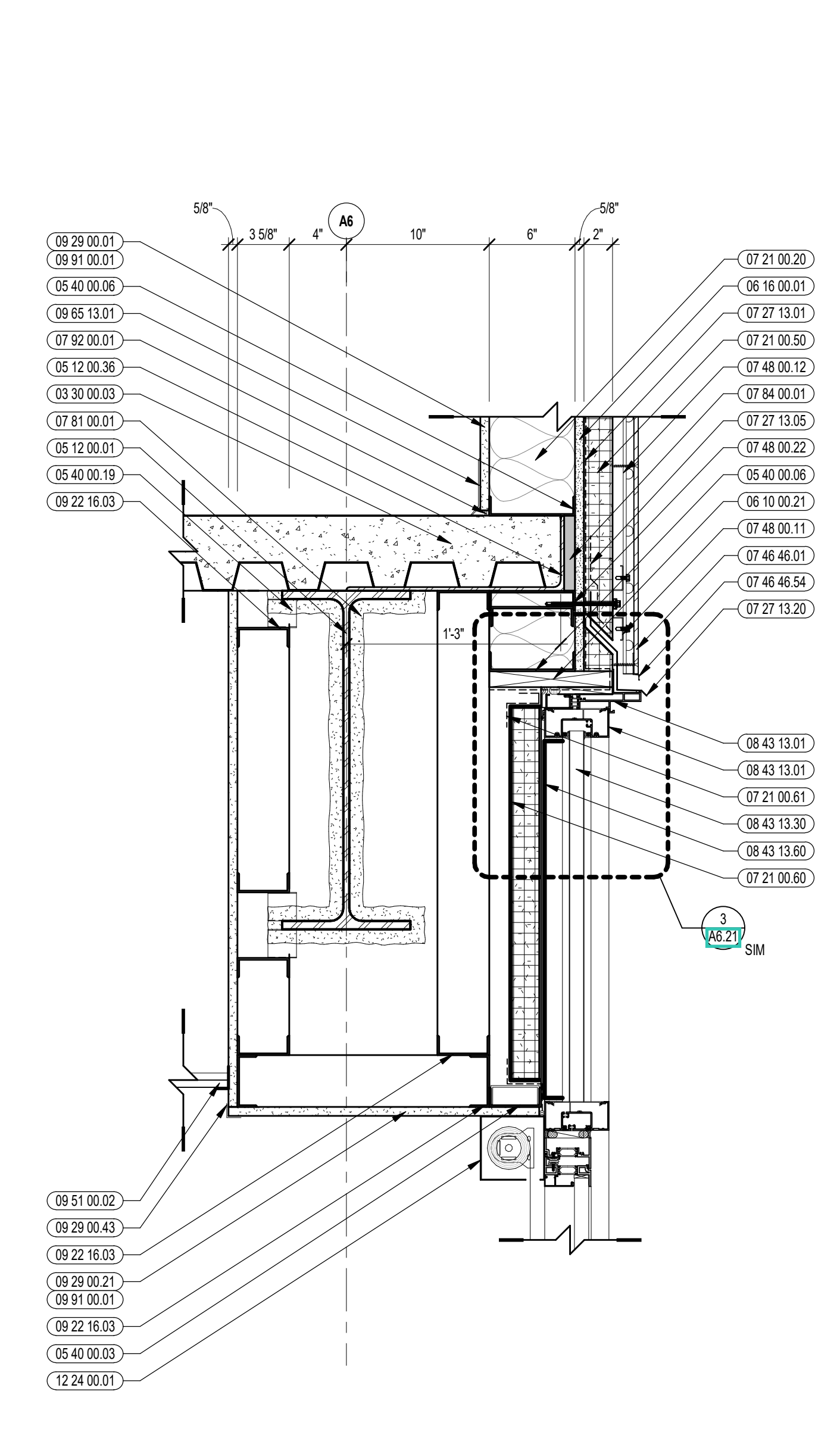
2 VERTICAL DETAIL
1 1/2" = 1'-0"



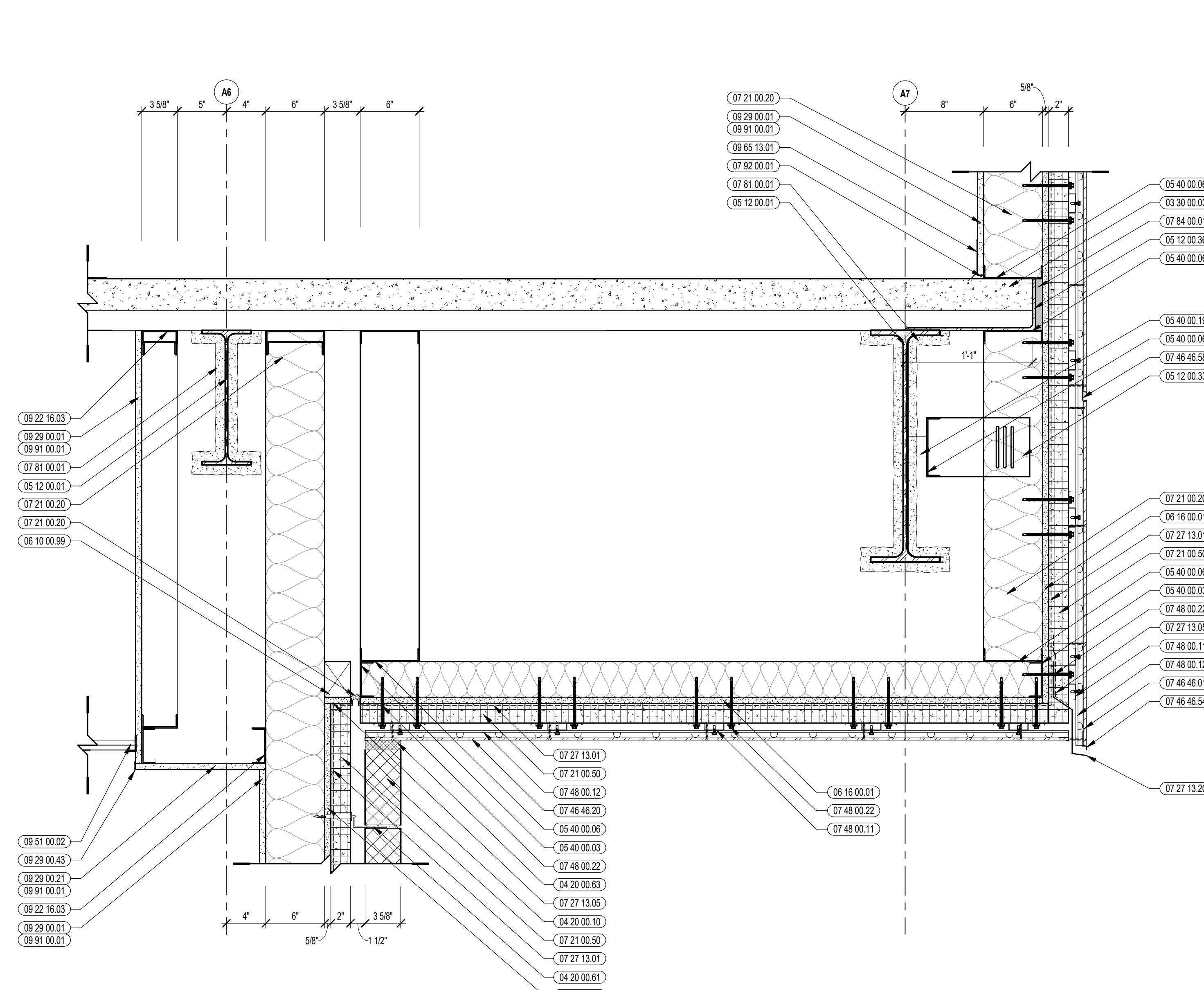
6 VERTICAL DETAIL
1 1/2" = 1'-0"



5 VERTICAL DETAIL
1 1/2" = 1'-0"



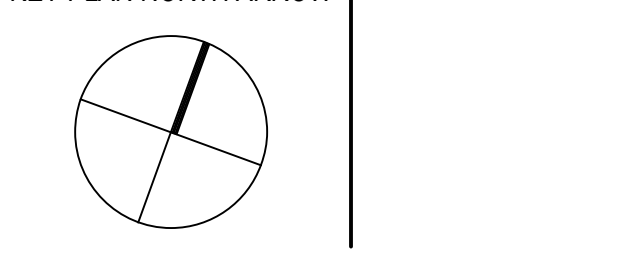
3 VERTICAL DETAIL
1 1/2" = 1'-0"



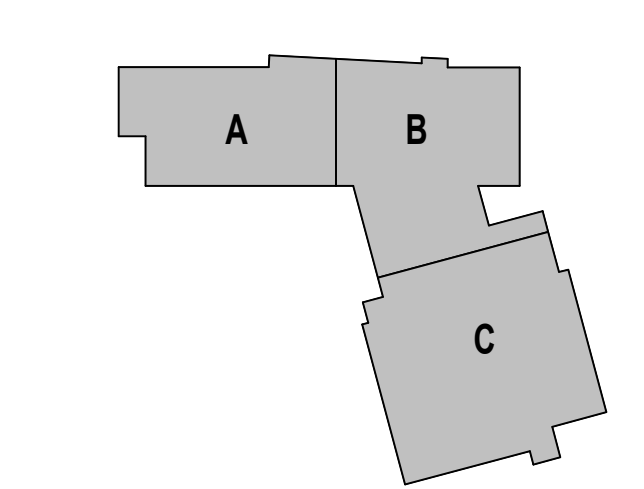
1 VERTICAL DETAIL
1 1/2" = 1'-0"

100% CONSTRUCTION DOCUMENTS

KEY PLAN NORTH ARROW



KEYPLAN



DRAWING NAME:

VERTICAL WALL DETAILS

DRAWN BY: BFC

REVIEWED BY: CHR/KK

SCALE: AS INDICATED | DRAWING NUMBER:

JOB NO.: 2202.02 | A5.14

DATE: OCTOBER 13, 2023



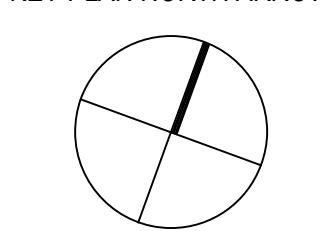
CENTRAL FALLS HIGH SCHOOL
10 HIGGINSON AVE, CENTRAL FALLS, RI

KEYNOTE LEGEND:

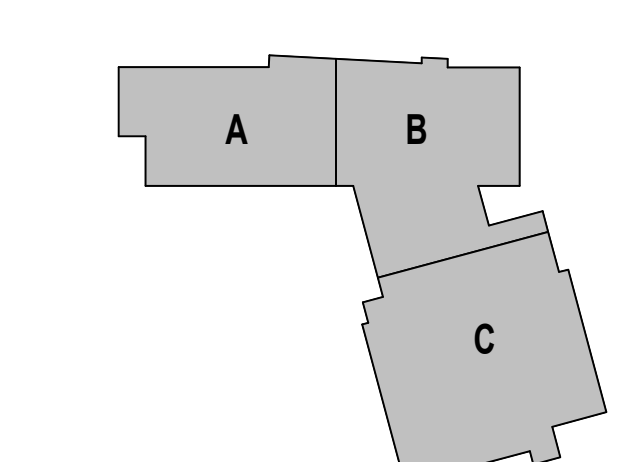
- 03 30 00.03 CONCRETE SLAB ON DECK - SEE STRUCTURAL
- 04 20 00.10 CMU BASE - EXPOSED FACE CMU - REFERENCE DETAILS FOR TYPE AND DEPTH
- 04 20 00.61 MASONRY MORTAR
- 04 20 00.62 TYPICAL MASONRY ANCHORTIES - REFERENCE SPECIFICATION FOR SPACING
- 04 20 00.63 COMPRESSIBLE FILLER AT TOP OF MASONRY PARTITIONS AND EXPANSION JOINTS
- 04 20 00.64 SEALANT - TYPE AS REQUIRED
- 04 20 00.65 AIR SPACE - MAINTAIN CLEAR OF MORTAR
- 05 12 00.01 STEEL BEAM - SEE STRUCTURAL
- 05 12 00.06 STEEL TUBE - SEE STRUCTURAL
- 05 12 00.07 STEEL EDGE ANGLE - SEE STRUCTURAL
- 05 12 00.08 STEEL STIFFENER - SEE STRUCTURAL
- 05 12 00.09 STEEL PLATE BENT - SEE STRUCTURAL
- 05 31 00.11 STEEL ROOF DECK - 3 INCH GALVANIZED - SEE STRUCTURAL
- 05 40 00.02 STEEL STUDS - 2 1/2 INCH - 16 INCHES O.C. MAX
- 05 40 00.03 STEEL STUDS - 3 5/8 INCH - 16 INCHES O.C. MAX
- 05 40 00.06 STEEL STUDS - 4 INCH - 16 INCHES O.C. MAX
- 05 40 00.19 STEEL Z-CLIP - 16 GAGE MIN. - 1 INCH MIN. DEPTH - 16 INCHES O.C. MAX
- 05 40 00.59 LIGHT GAGE BENT PLATE - SIZE AS REQUIRED
- 05 51 00.03 STEEL CHANNEL STRINGER
- 05 51 00.07 STEEL TUBE STRINGER
- 06 10 00.21 WOOD BLOCKING - (2X) FIRE RETARDANT TREATED - SIZE AS NOTED OR DRAWING
- 06 10 00.34 PLYWOOD - 3/4 INCH
- 06 10 00.43 PLYWOOD PRESSURE TREATED - 5/8 INCH
- 06 10 00.47 PLYWOOD FIRE RETARDANT TREATED - 3/4 INCH
- 06 16 00.01 GYPSUM EXTERIOR SHEATHING - 5/8 INCH
- 06 20 00.04 HARDWOOD TRIM - BULLNOSE - TRANSPARENT FINISH
- 07 21 00.20 GLASS FIBER BLANKET INSULATION - MATCH DEPTH OF STUD - UNFACED
- 07 21 00.39 MINERAL WOOL ACoustICAL INSULATION - MATCH DEPTH OF STUD - UNFACED
- 07 21 00.50 MINERAL WOOL INSULATION - RIGID - EXTERIOR - 2 INCH
- 07 21 00.60 MINERAL WOOL INSULATION - FOIL-FACED
- 07 21 00.61 FOIL, SCRIM, AND KRAFT TAPE
- 07 27 13.01 AIR VAPOR BARRIER MEMBRANE - SELF-ADHERING
- 07 27 13.05 AIR VAPOR BARRIER TRANSITION MEMBRANE - SELF-ADHERING
- 07 27 13.11 BACKER ROD - SIZE AND TYPE AS REQUIRED
- 07 27 13.20 FLASHING - STAINLESS STEEL
- 07 46 46.01 MINERAL FIBER CEMENT PANEL - REFERENCE ELEVATIONS FOR COLOR
- 07 46 46.20 MINERAL FIBER CEMENT SOFFIT - COLOR 1
- 07 46 46.42 HORIZONTAL Z TRIM
- 07 46 46.58 DOUBLE HORIZONTAL TRIM
- 07 48 00.11 HORIZONTAL GRIT - REFER TO SHOP DRAWINGS FOR SIZE
- 07 48 00.12 VERTICAL PANEL RAIL - REFER TO SHOP DRAWINGS FOR SIZE
- 07 48 00.22 STAINLESS STEEL SELF-DRILLING SCREW WITH THERMAL ISOLATION
- 07 54 19.01 PVC SINGLE PLY MEMBRANE ROOFING
- 07 54 19.02 HIGH DENSITY POLYISO RECOVERY BOARD
- 07 54 19.03 POLYISO RIGID INSULATION
- 07 54 19.09 SHEET VAPOR RETARDER - TAPE SEAMS
- 07 61 00.01 SHEET METAL - STANDING SEAM
- 07 61 00.02 CLIPS WITH FASTENERS
- 07 61 00.03 ALUMINUM FLASHING

100% CONSTRUCTION DOCUMENTS

KEY PLAN NORTH ARROW



KEYPLAN



DRAWING NAME:

VERTICAL WALL DETAILS

DRAWN BY: BFC

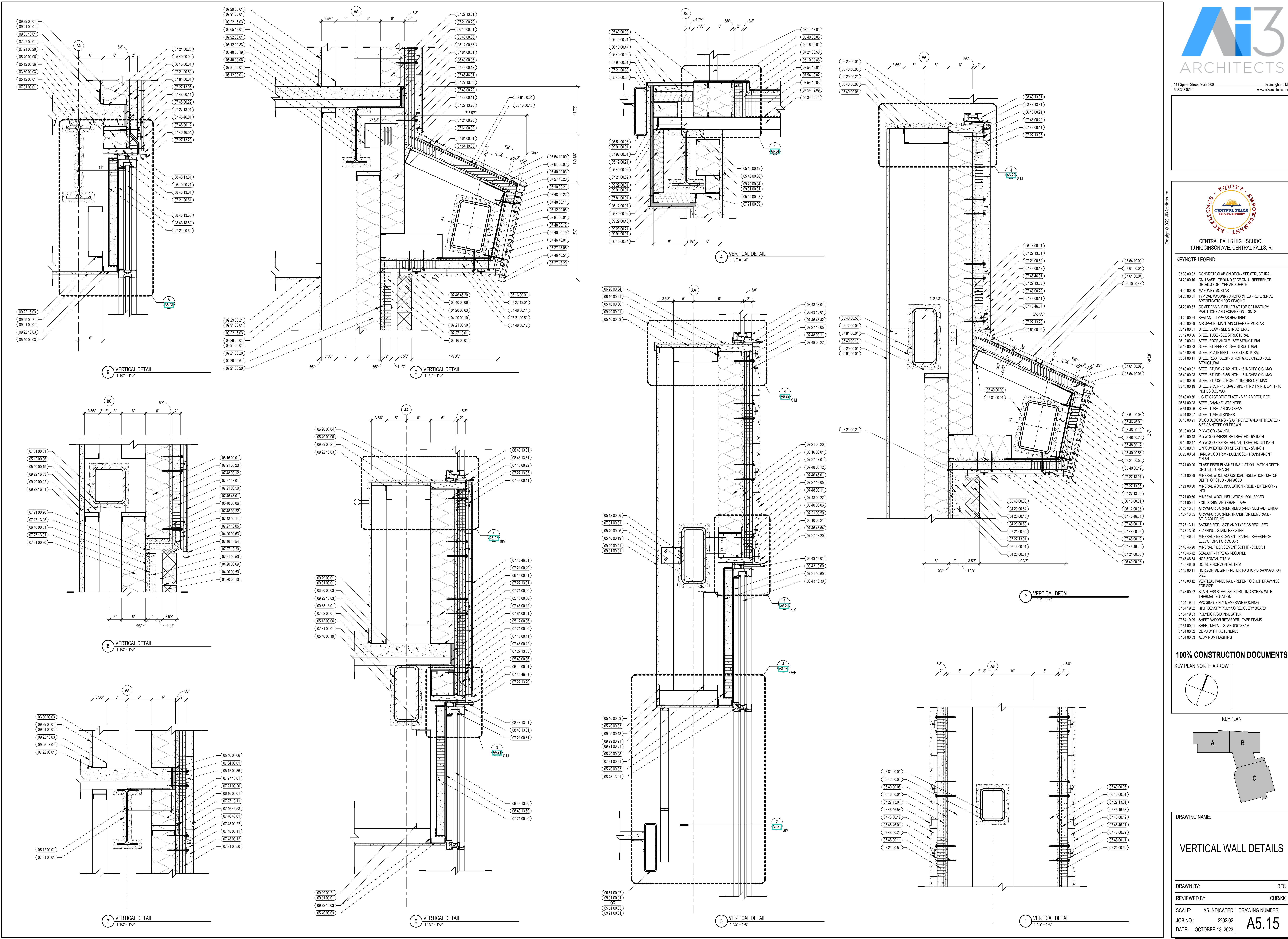
REVIEWED BY: CHR/KK

SCALE: AS INDICATED | DRAWING NUMBER:

JOB NO.: 2202.02

DATE: OCTOBER 13, 2023

A5.15



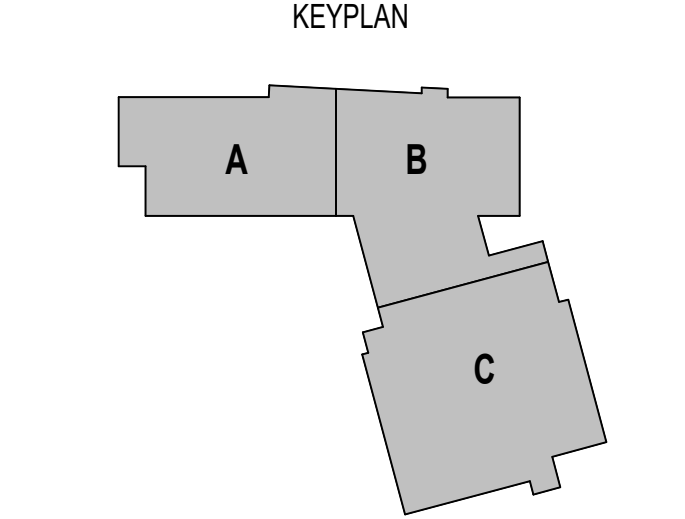
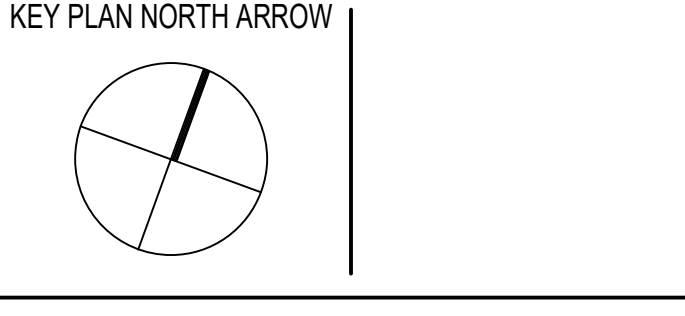


CENTRAL FALLS HIGH SCHOOL
10 HIGGINSON AVE, CENTRAL FALLS, RI

KEYNOTE LEGEND:

- 03 30 00.03 CONCRETE SLAB ON DECK - SEE STRUCTURAL
- 04 20 00.10 CMU BASE - GROUND FLOOR CMU - REFERENCE DETAILS FOR TYPE AND DEPTH
- 04 20 00.61 TYPICAL MASONRY ANCHORTIES - REFERENCE SPECIFICATION FOR SPACING
- 04 20 00.63 COMPRESSIBLE FILLER AT TOP OF MASONRY PARTITIONS AND EXPANSION JOINTS
- 04 20 00.69 AIR SPACE - MAINTAIN CLEAR OF MORTAR
- 05 12 00.01 STEEL BEAM - SEE STRUCTURAL
- 05 12 00.08 STEEL TUBE - SEE STRUCTURAL
- 05 12 00.33 STEEL STIFFENER - SEE STRUCTURAL
- 05 12 00.36 STEEL PLATE BENT - SEE STRUCTURAL
- 05 31 00.11 STEEL ROOF DECK - 3 INCH GALVANIZED - SEE STRUCTURAL
- 05 40 00.03 STEEL STUDS - 3.58 INCH - 16 INCHES O.C. MAX
- 05 40 00.06 STEEL STUDS - 6 INCH - 16 INCHES O.C. MAX
- 05 40 00.19 STEEL Z-CLIP - 16 GAGE MIN. - 1 INCH MIN. DEPTH - 16 INCHES O.C. MAX
- 06 10 00.21 WOOD FLOORING - (2X) FIRE RETARDANT TREATED - SIZE AS NOTED OR DRAWN
- 06 10 00.43 PLYWOOD PRESSURE TREATED - 5/8 INCH
- 06 16 00.01 GYPSUM EXTERIOR SHEATHING - 5/8 INCH
- 07 21 00.20 CLASS FIBER GLASS INSULATION - MATCH DEPTH OF STUD - UNFACED
- 07 21 00.50 MINERAL WOOL INSULATION - RIGID - EXTERIOR - 2 INCH
- 07 21 00.60 MINERAL WOOL INSULATION - FOIL-FACED
- 07 21 00.61 FOIL, SCRM, AND KRAFT TAPE
- 07 27 13.01 AIR VAPOR BARRIER MEMBRANE - SELF-ADHERING
- 07 27 13.05 AIR VAPOR BARRIER TRANSITION MEMBRANE - SELF-ADHERING
- 07 27 13.20 FLASHING - STAINLESS STEEL
- 07 46 46.01 MINERAL FIBER CEMENT PANEL - REFERENCE ELEVATIONS FOR COLOR
- 07 46 46.20 MINERAL FIBER CEMENT SOFFIT - COLOR 1
- 07 46 46.54 HORIZONTAL Z TRIM
- 07 46 46.58 DOUBLE HORIZONTAL TRIM
- 07 48 00.11 HORIZONTAL GIRT - REFER TO SHOP DRAWINGS FOR SIZE
- 07 48 00.12 VERTICAL PANEL RAIL - REFER TO SHOP DRAWINGS FOR SIZE
- 07 48 00.22 STAINLESS STEEL SELF-DRILLING SCREW WITH THERMAL ISOLATION
- 07 54 19.01 PVC SINGLE PLY MEMBRANE ROOFING
- 07 54 19.02 HIGH DENSITY POLYISO RECOVERY BOARD
- 07 54 19.03 POLYISO RIGID INSULATION
- 07 54 19.04 POLYISO TAPERED INSULATION
- 07 54 19.09 SHEET VAPOR RETARDER - TAPE SEAMS
- 07 81 00.01 CEMENTITIOUS FIREPROOFING
- 07 84 00.01 FIRE SAFING MINERAL WOOL
- 07 92 00.01 JOINT SEALANT - TYPE AS REQUIRED
- 08 43 13.01 ALUMINUM STOREFRONT FRAME
- 08 43 13.30 SPANDREL GLASS
- 08 43 13.60 SUB-FRAME / RECEPTOR
- 08 43 13.60 STEEL BACK PAN
- 09 22 16.03 METAL STUD 3.58 INCH - 16 INCHES O.C. MAX
- 09 29 00.01 5/8 INCH GYPSUM BOARD - LEVEL 4 FINISH - 1 LAYER
- 09 29 00.02 5/8 INCH GYPSUM BOARD - LEVEL 4 FINISH - 2 LAYERS
- 09 29 00.21 5/8 INCH GYPSUM BOARD - LEVEL 4 FINISH - CORNER BEAD
- 09 51 00.01 ACT TYPE-1 - REFERENCE REFLECTED CEILING PLANS FOR GRID PATTERN
- 09 51 00.02 ACT TYPE-2
- 09 65 13.01 RUBBER BASE - 4 INCH

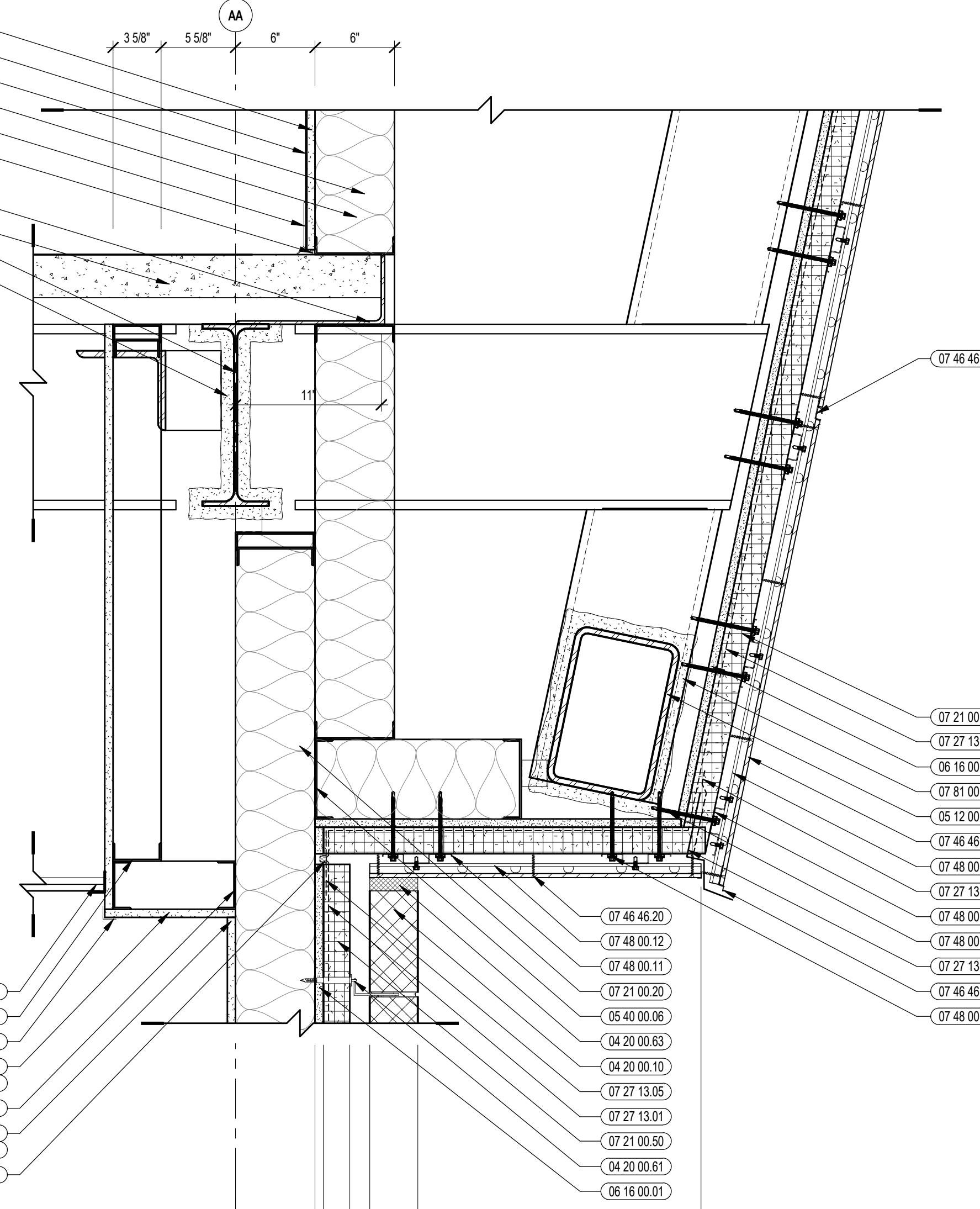
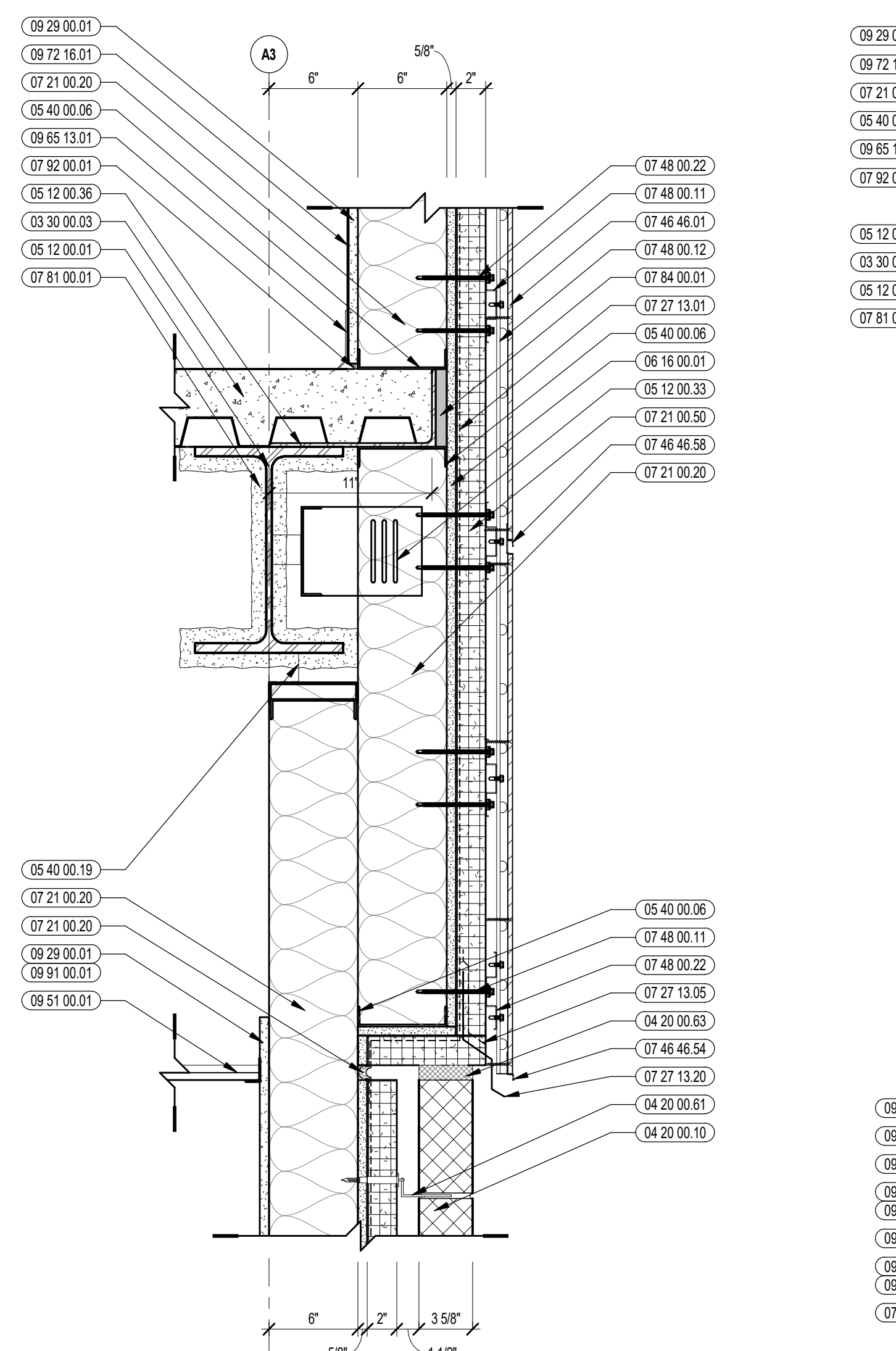
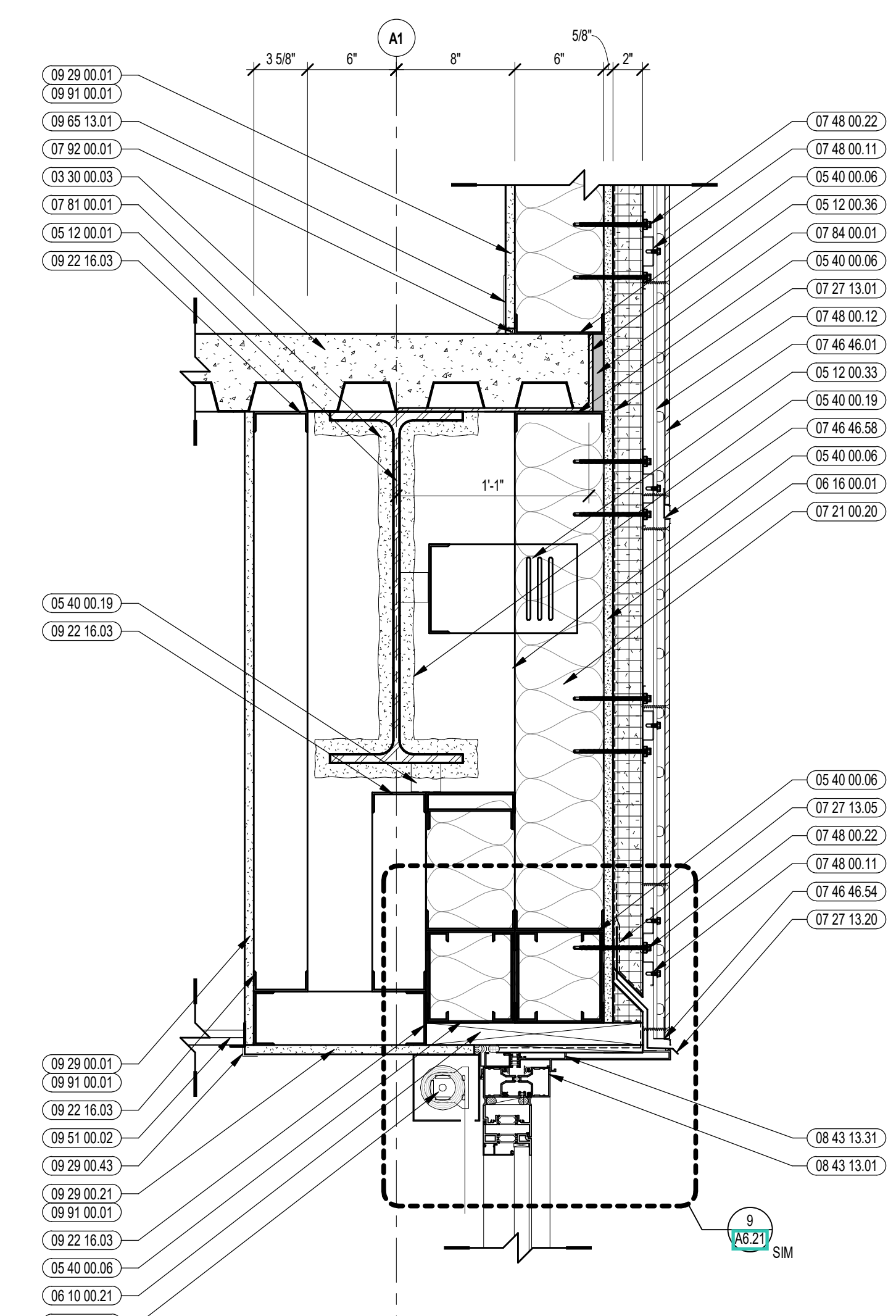
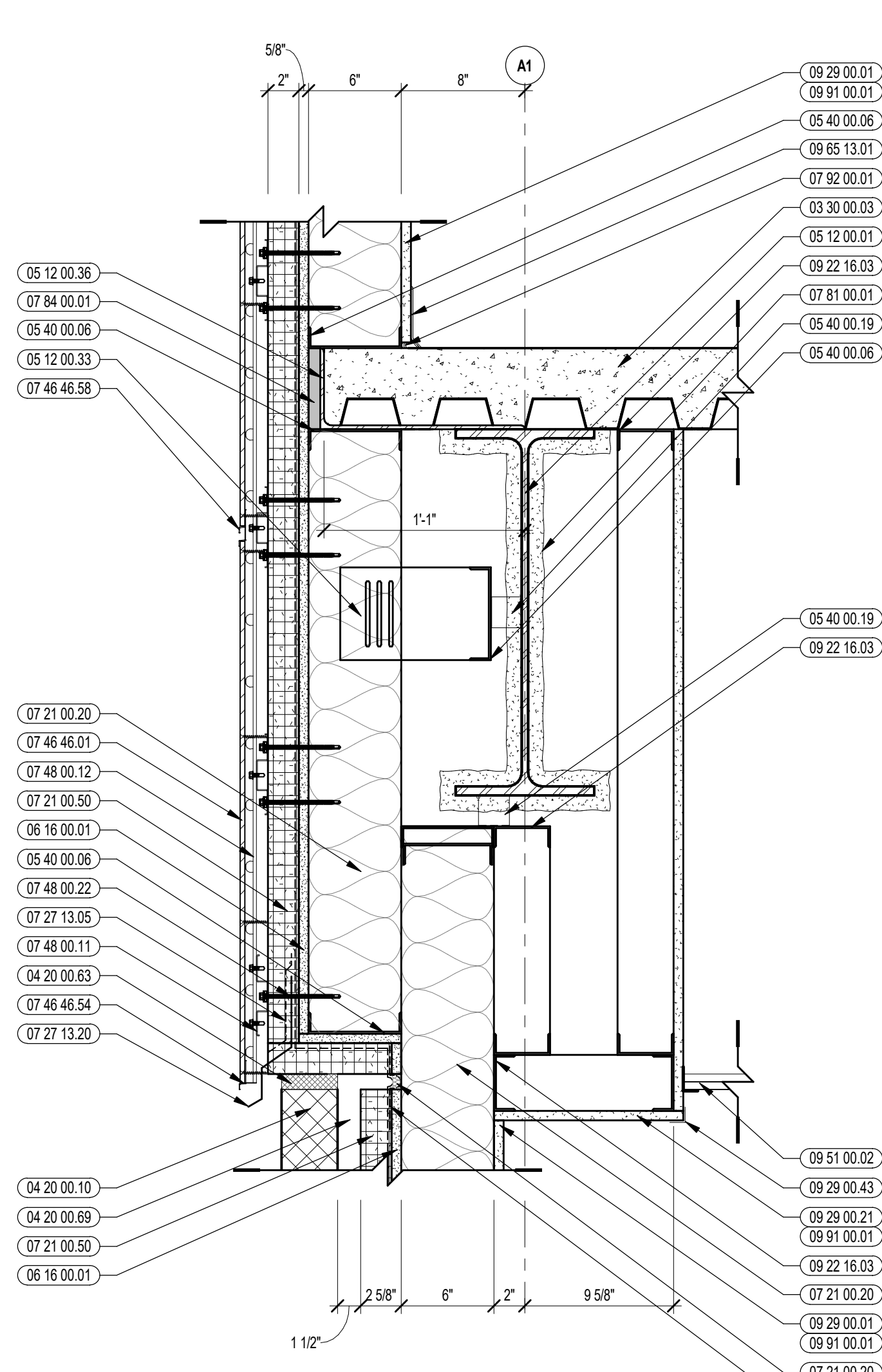
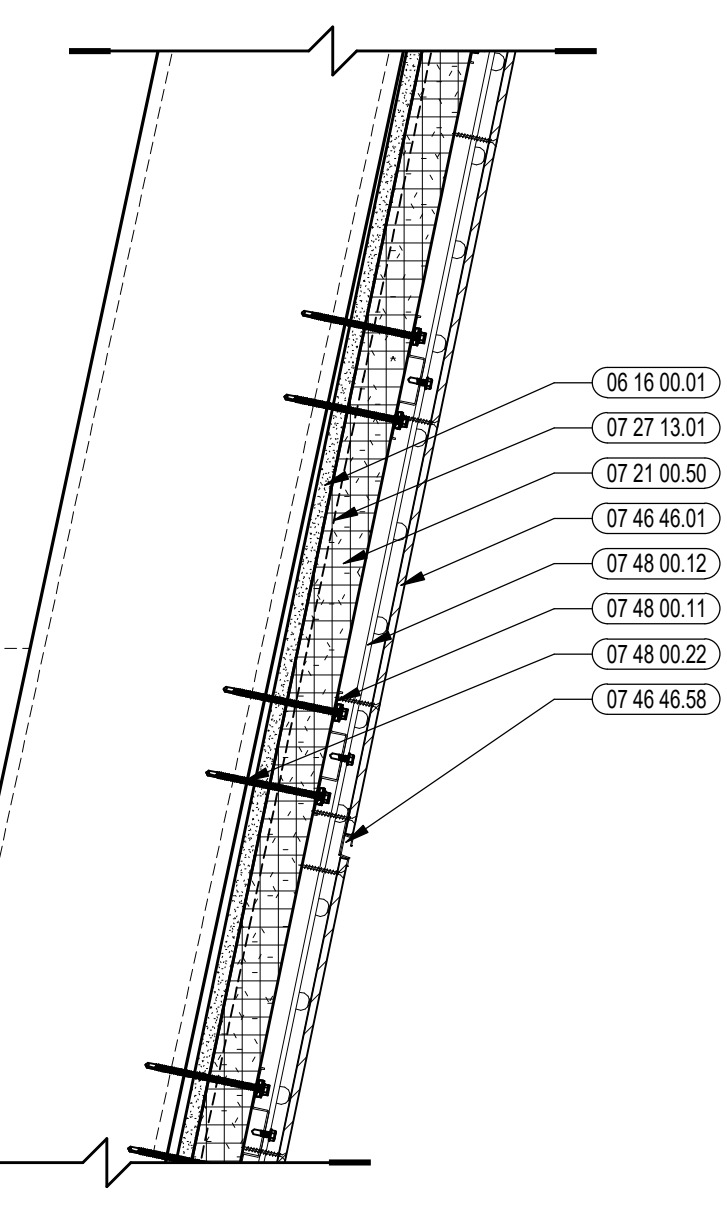
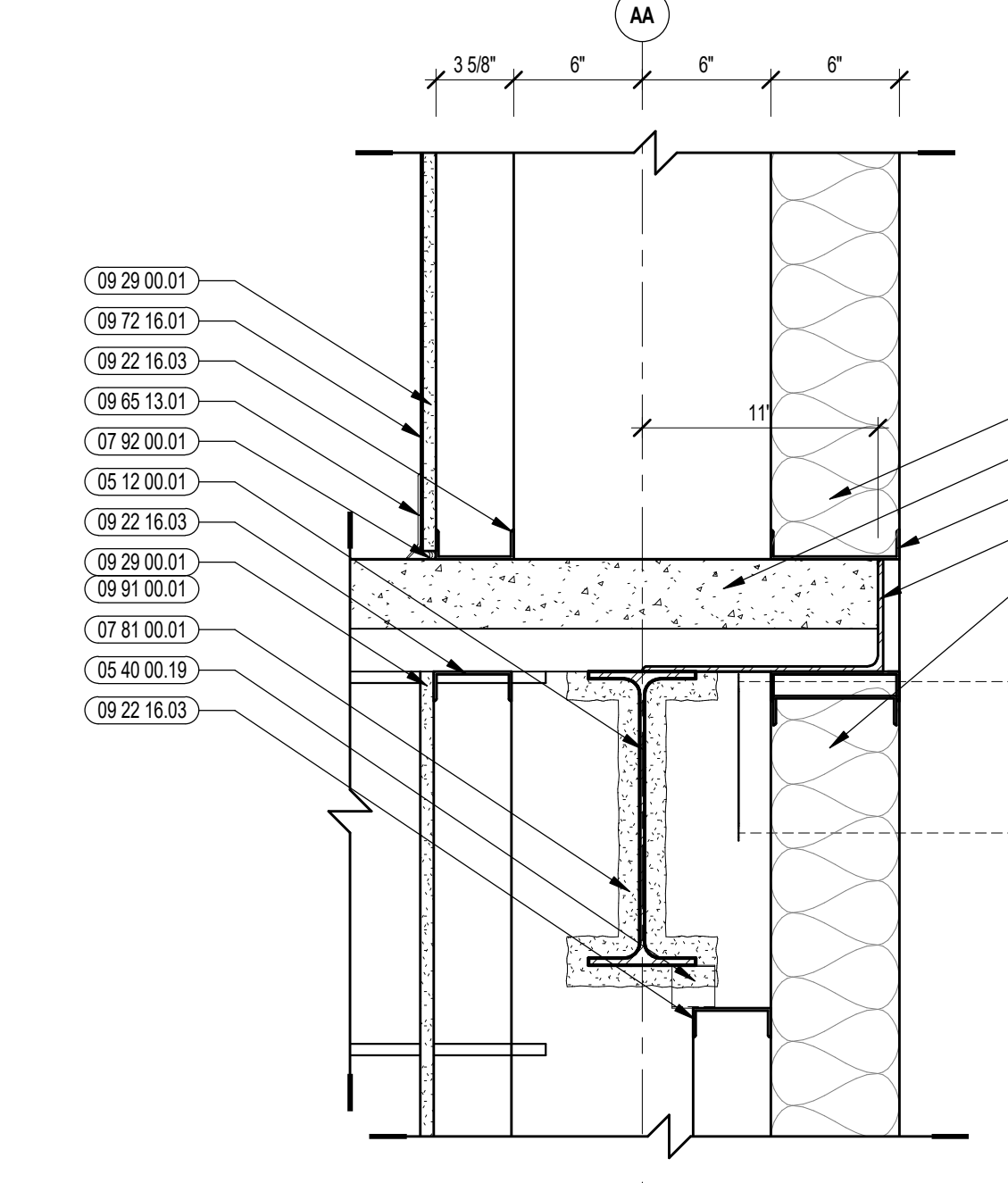
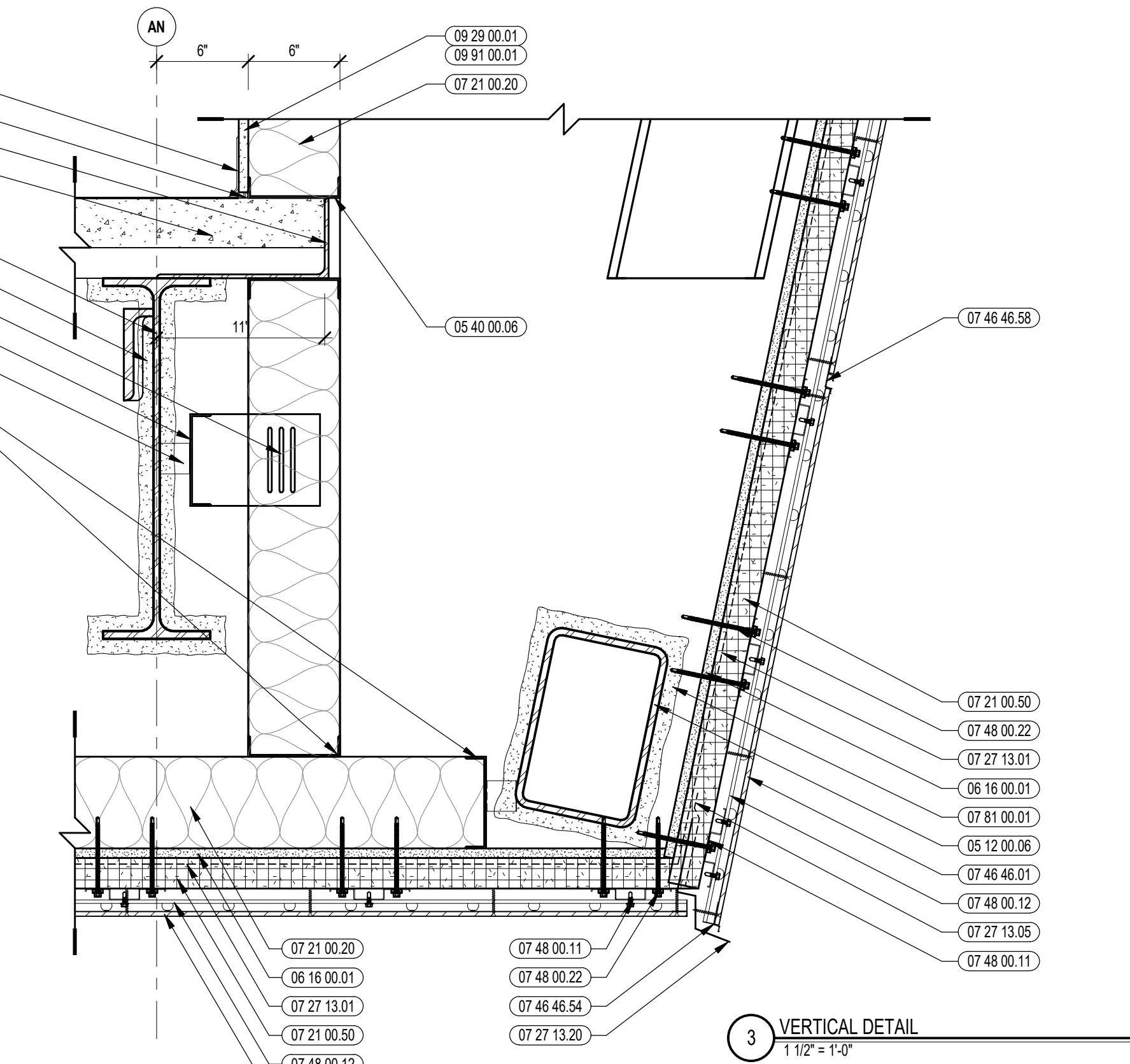
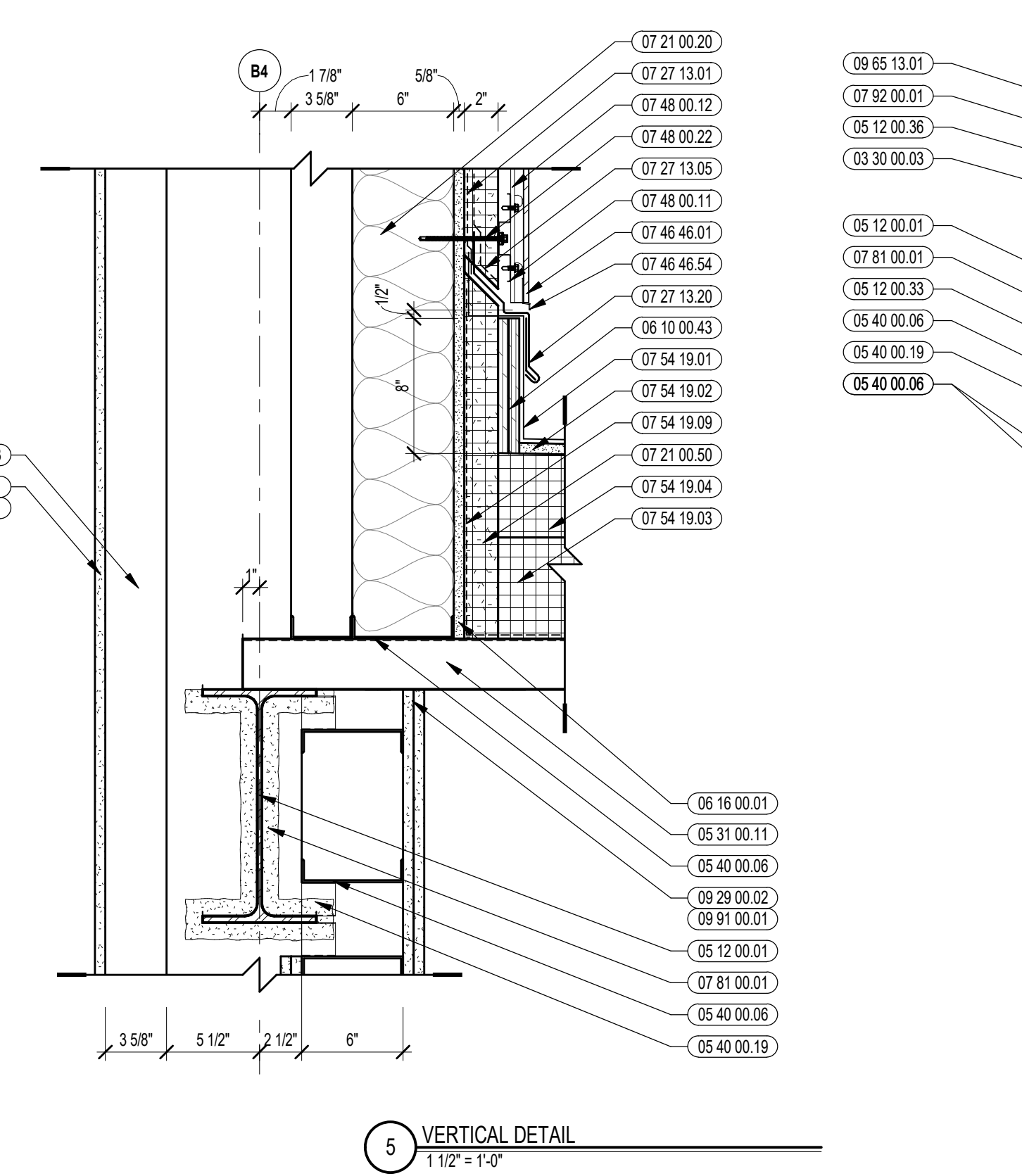
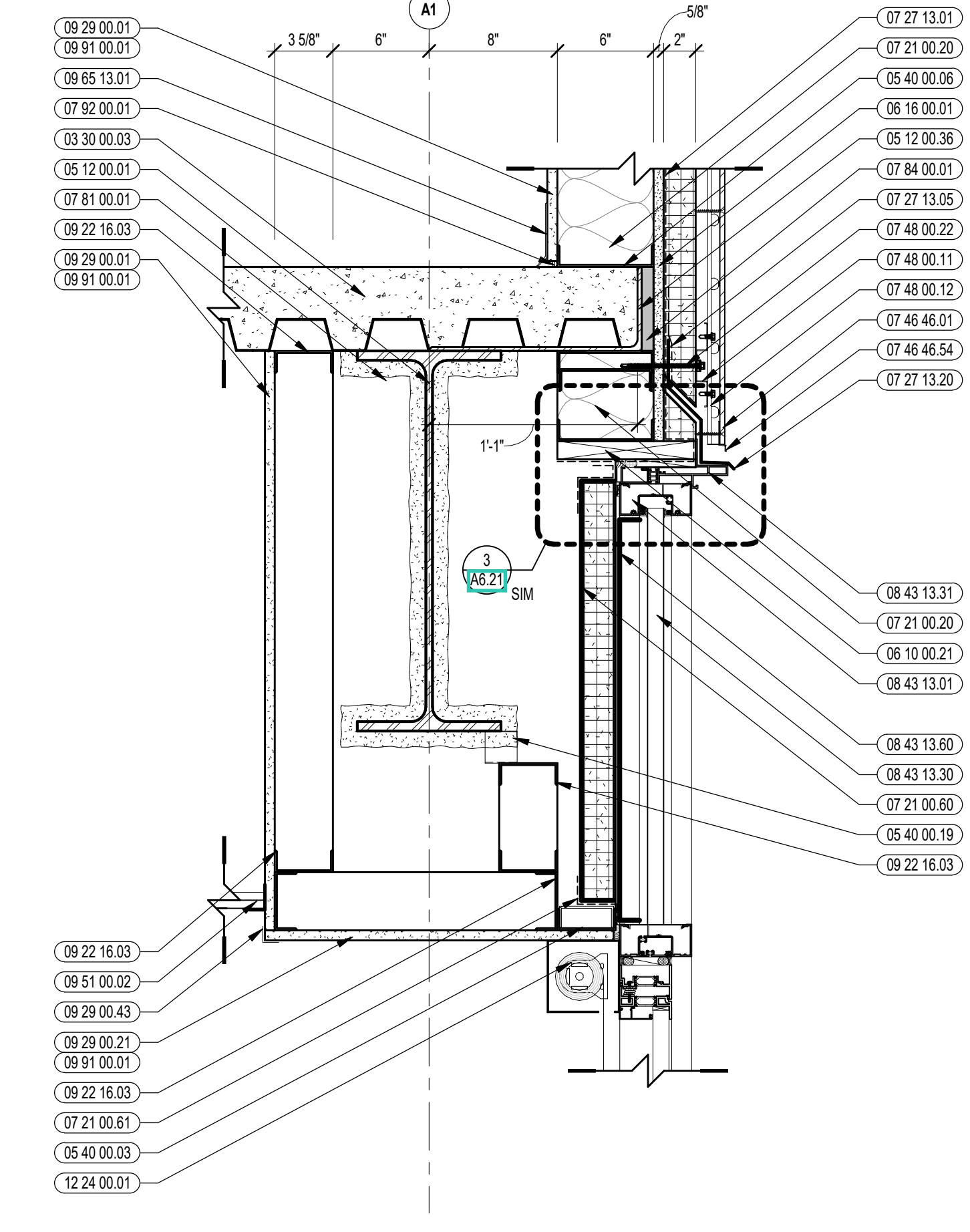
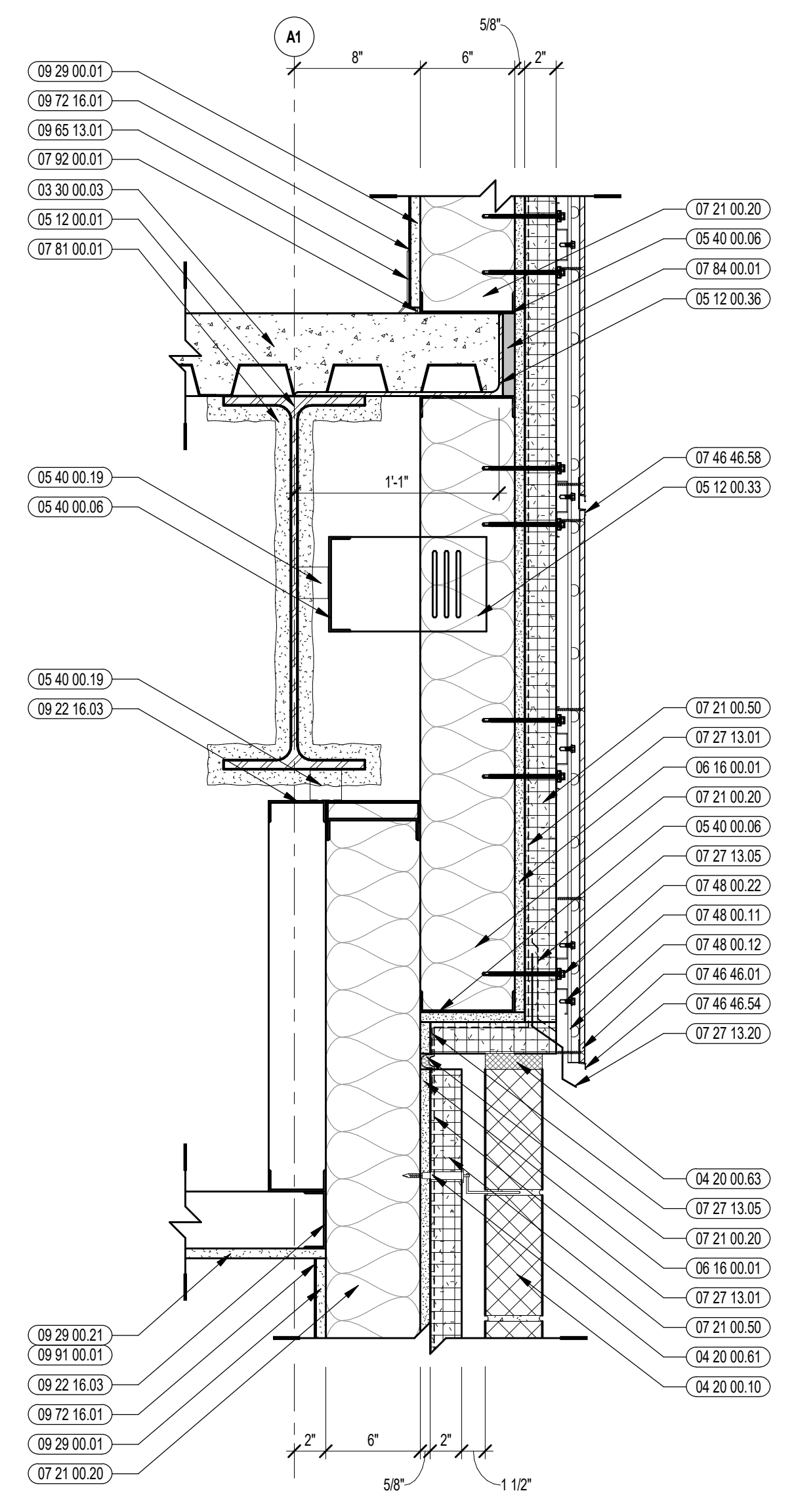
100% CONSTRUCTION DOCUMENTS



DRAWING NAME:

VERTICAL WALL DETAILS

DRAWN BY: BFC
REVIEWED BY: CHR/KK
SCALE: AS INDICATED DRAWING NUMBER:
JOB NO.: 2202.02
DATE: OCTOBER 13, 2023 A5.16

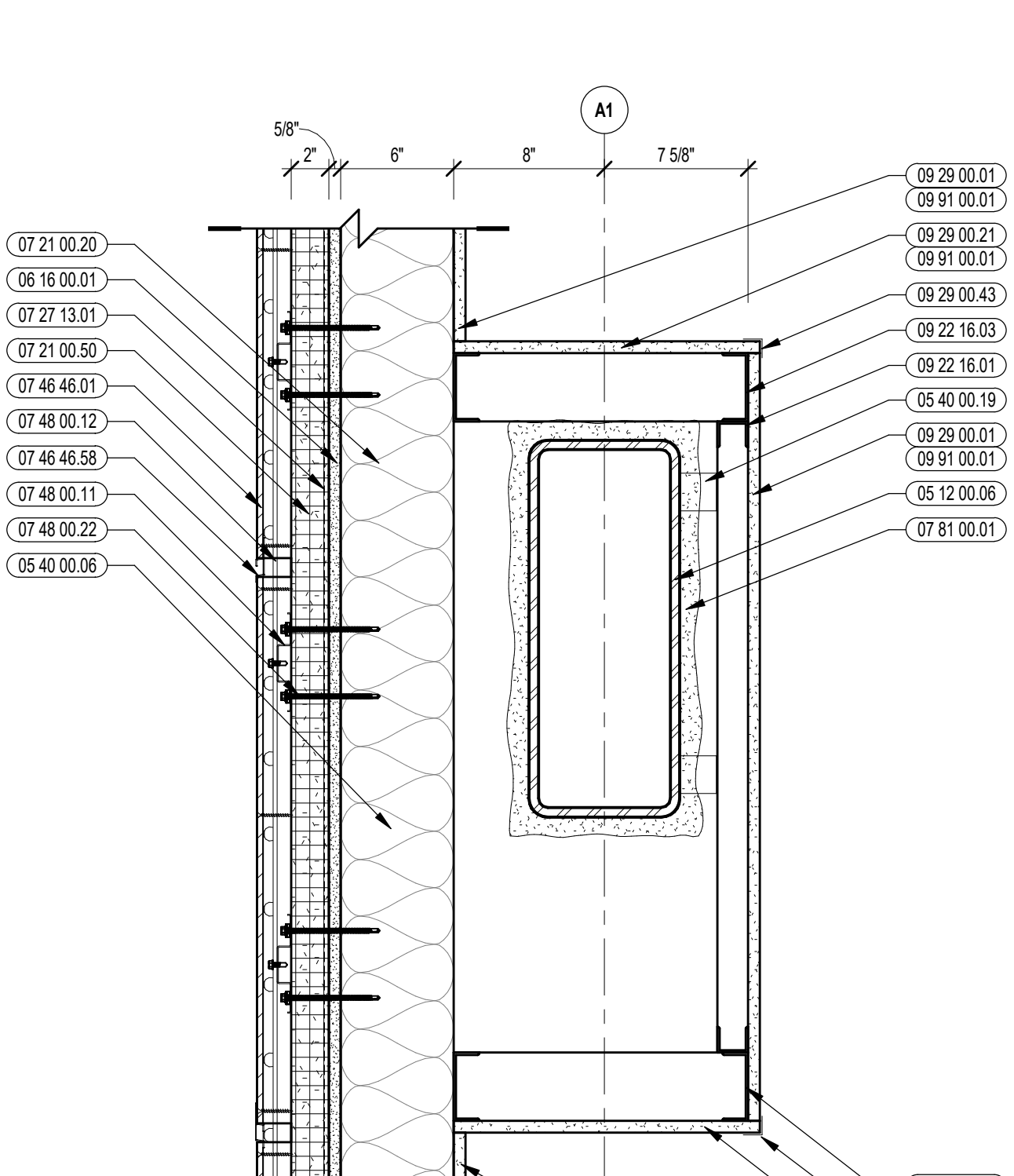
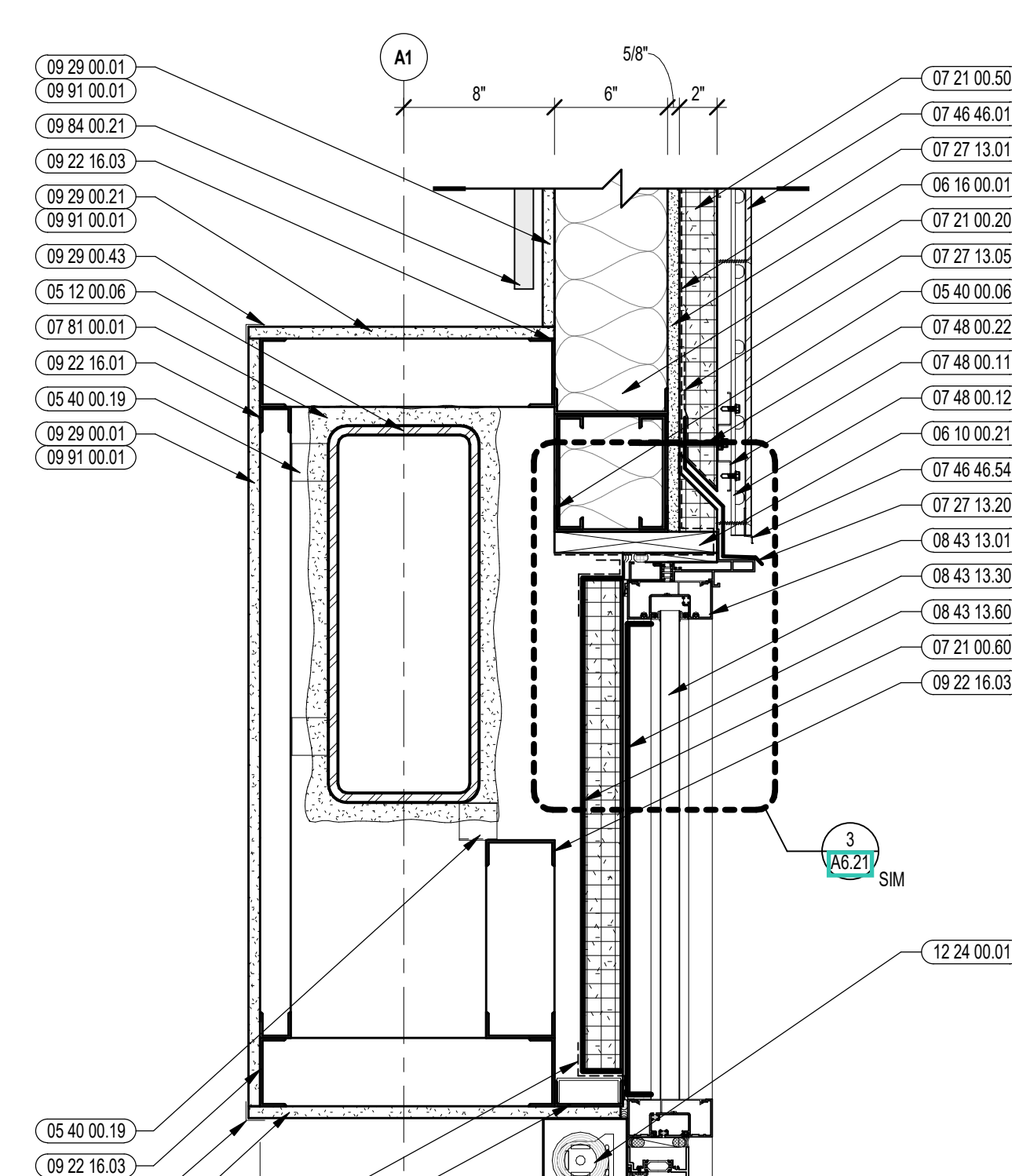
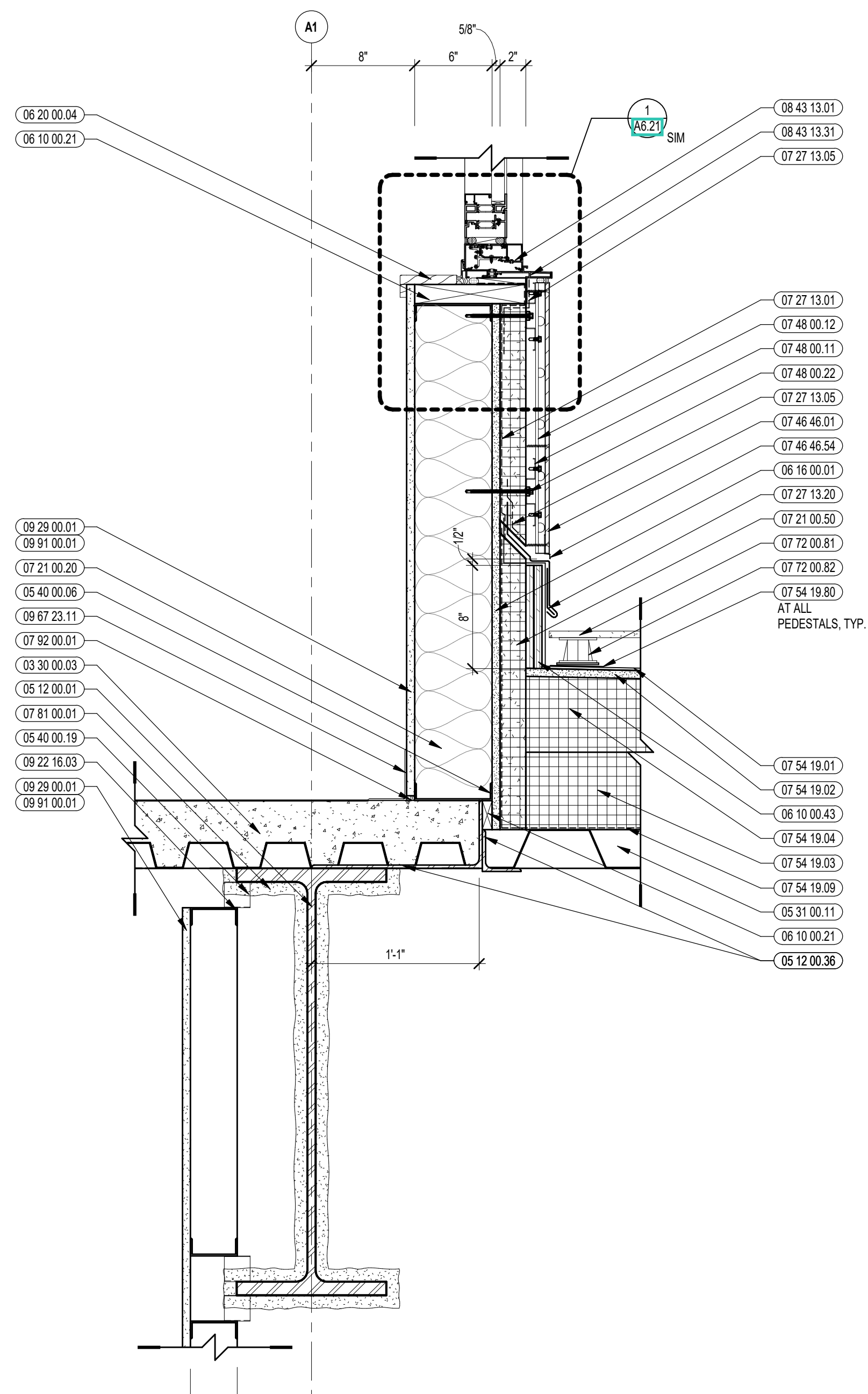
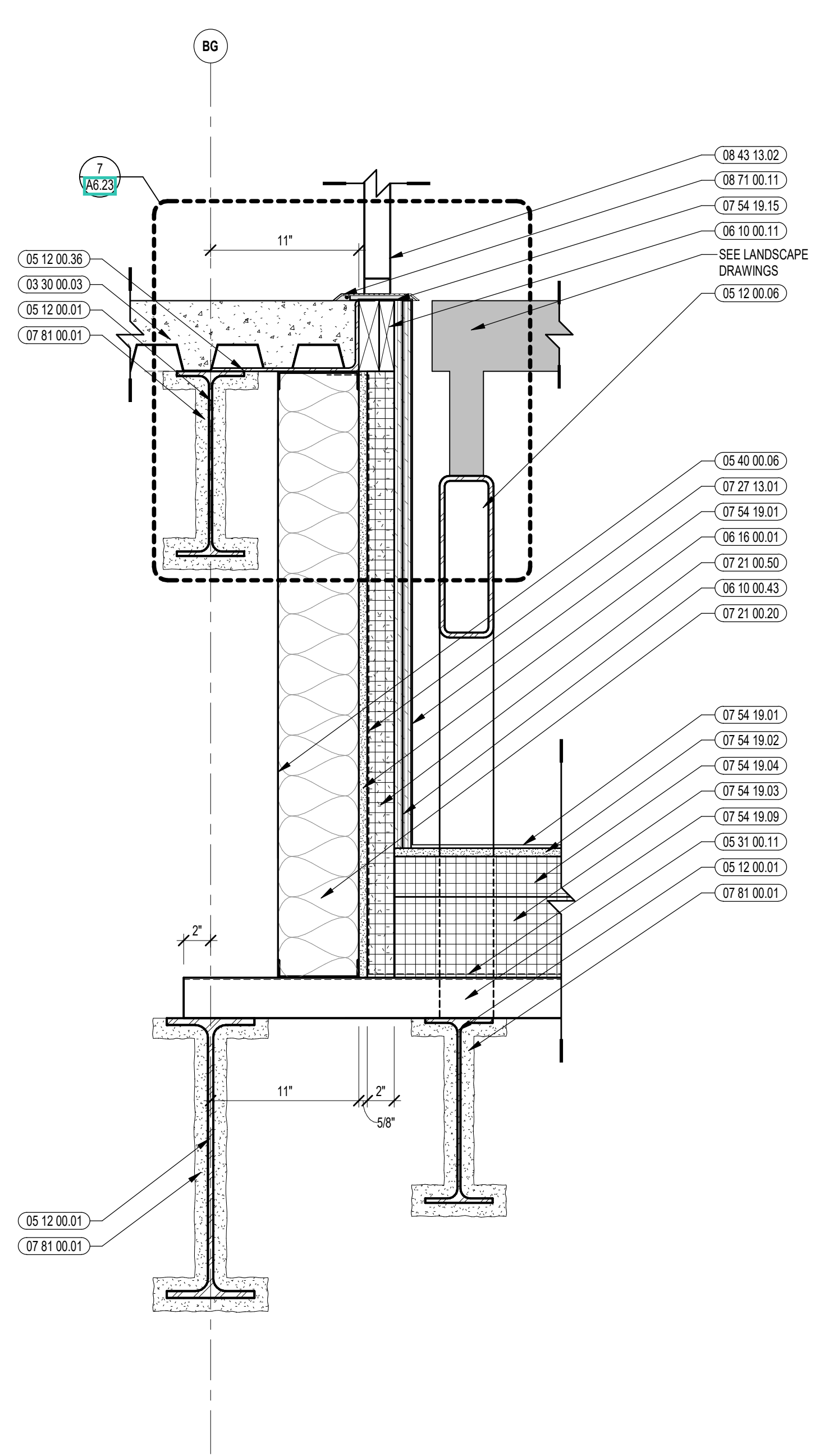
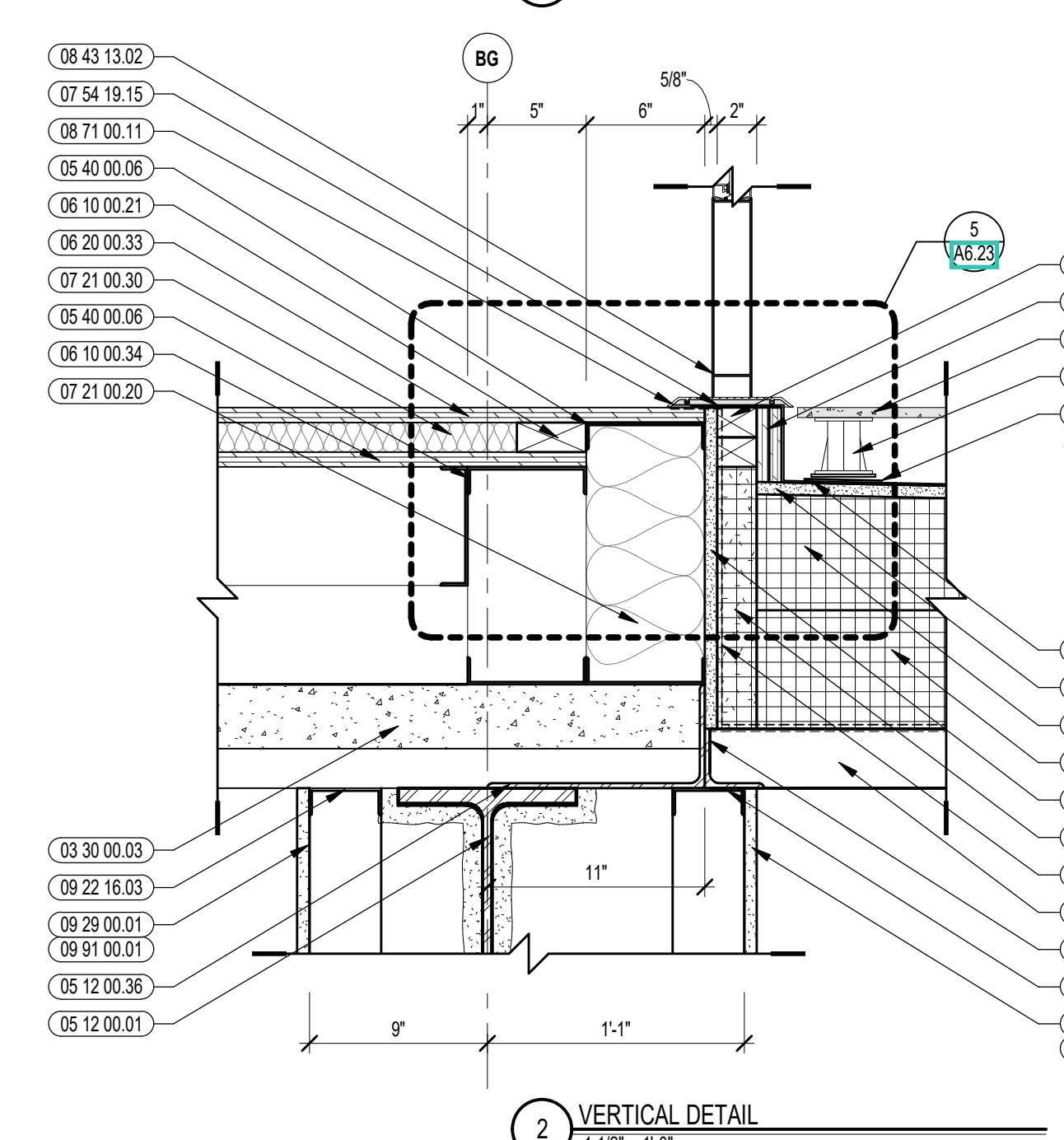
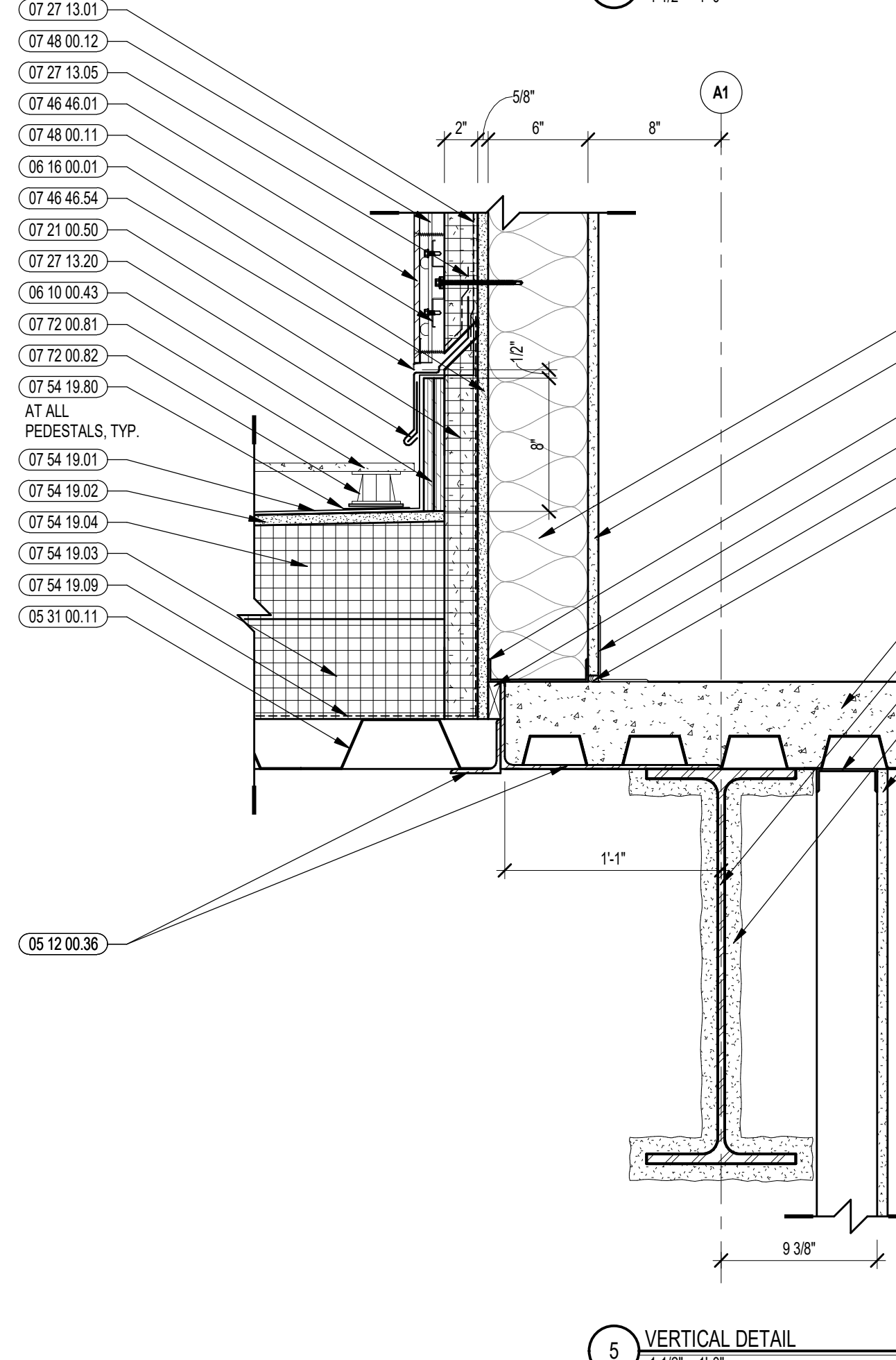
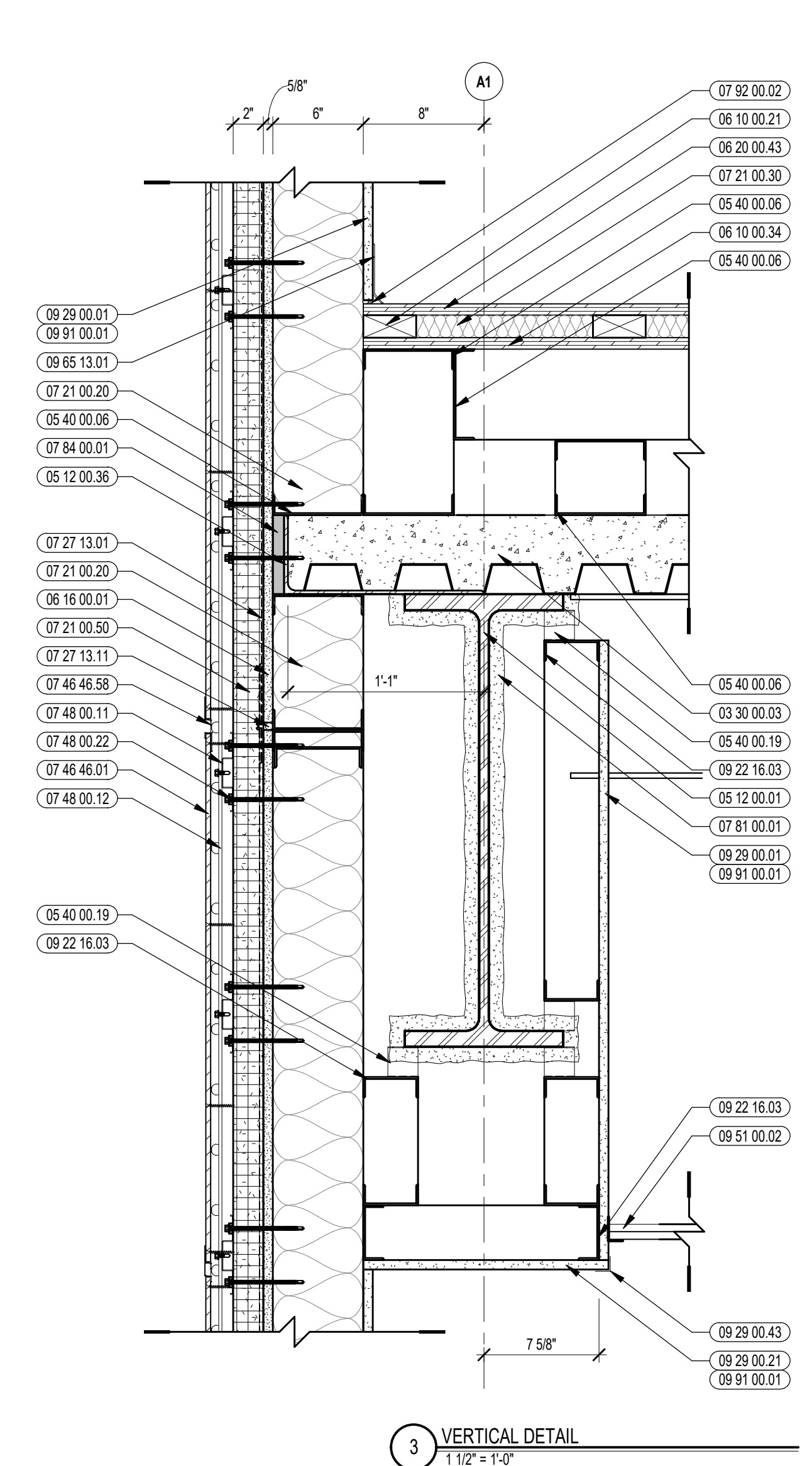
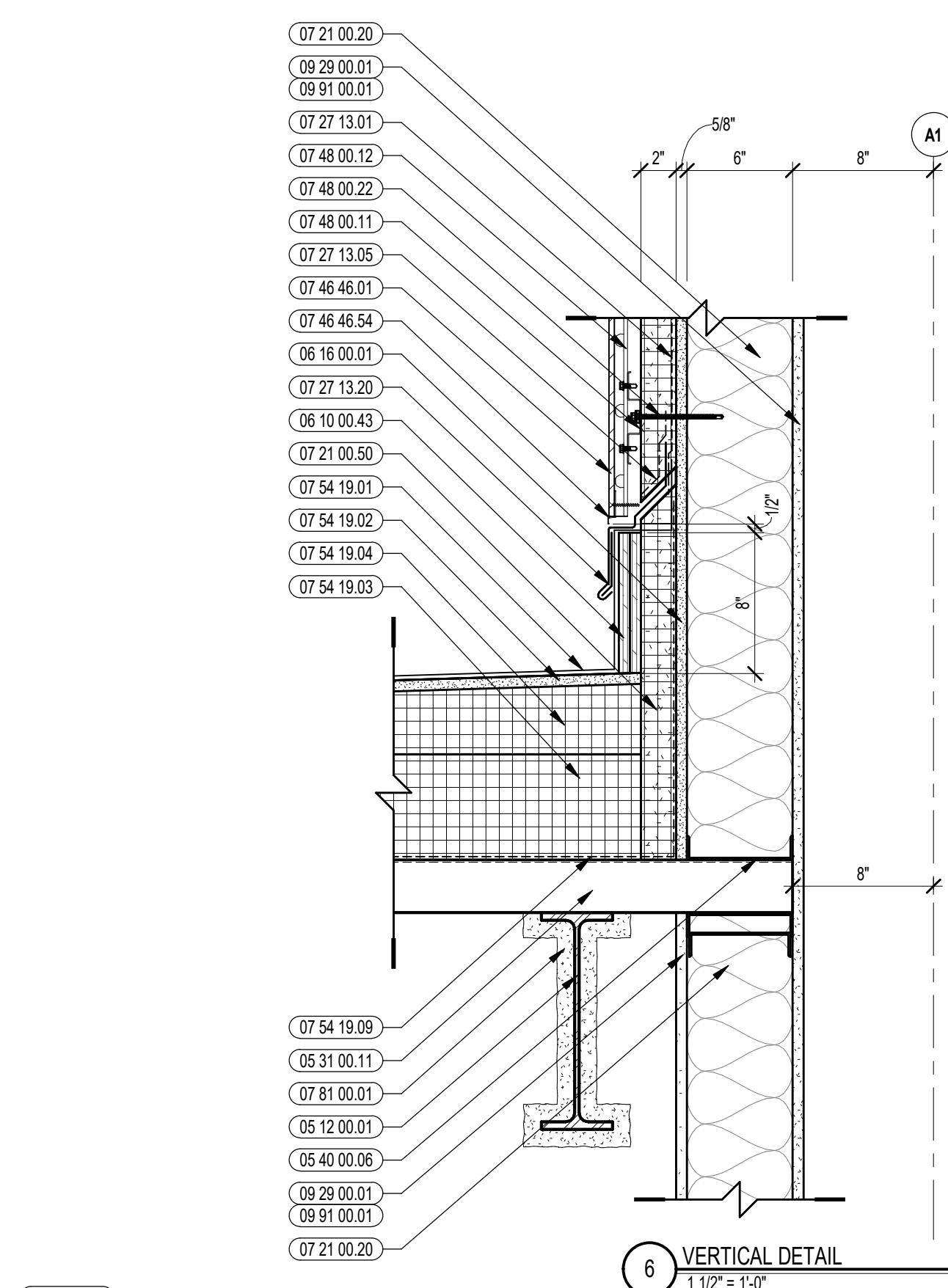
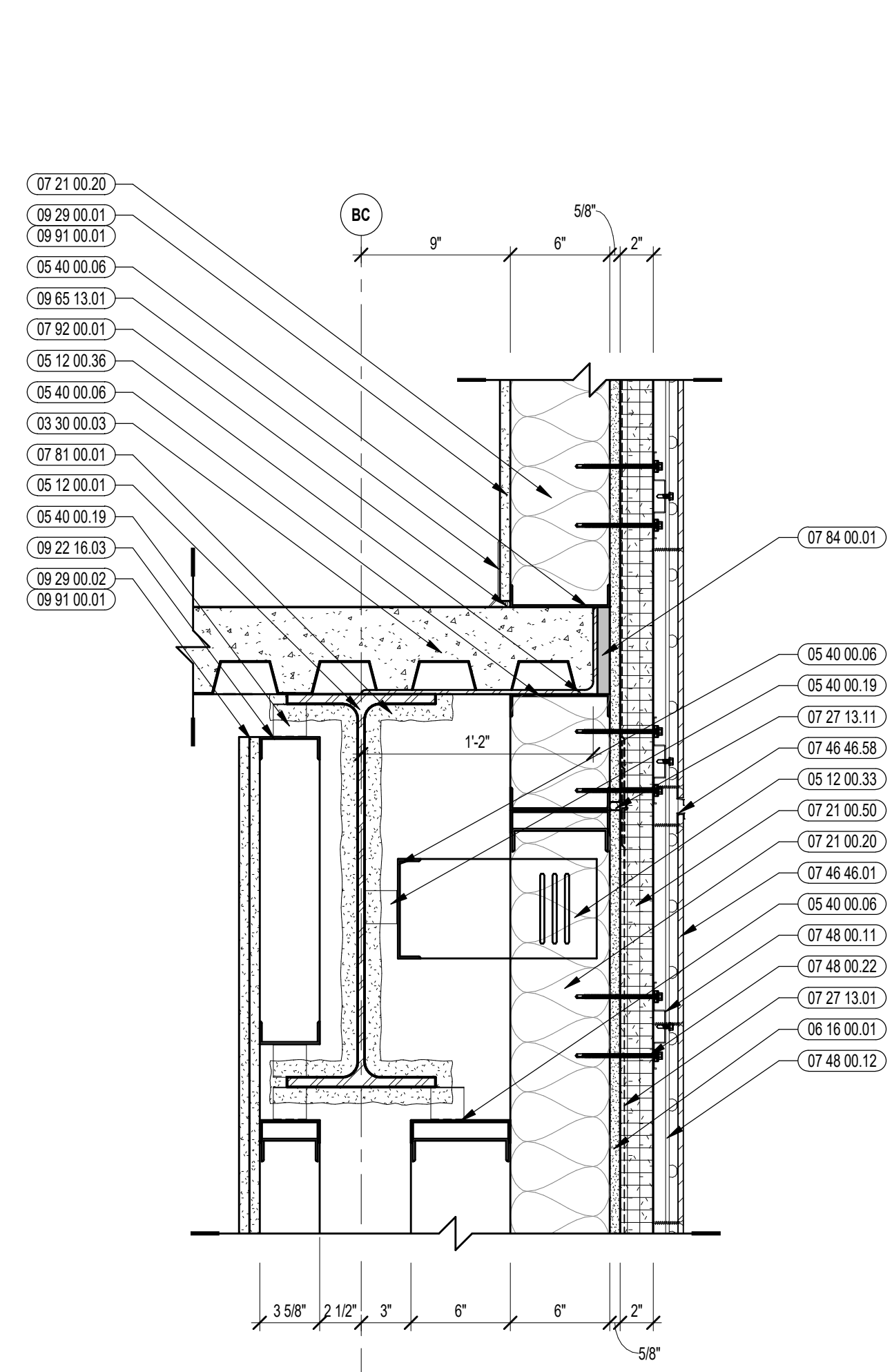




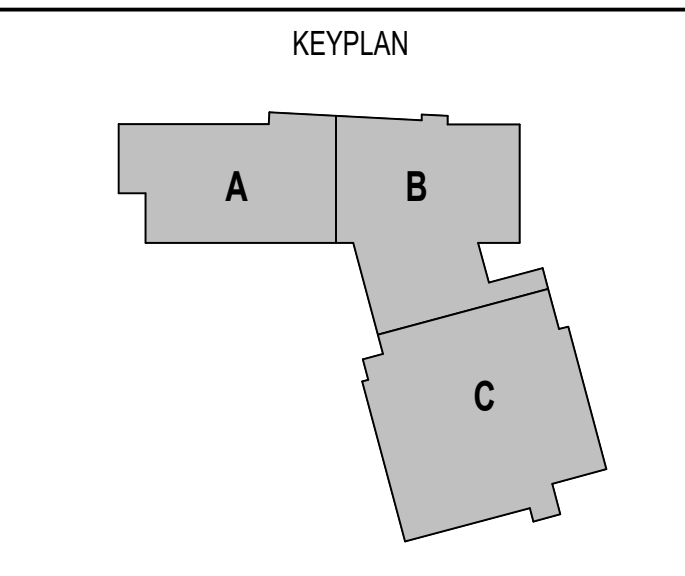
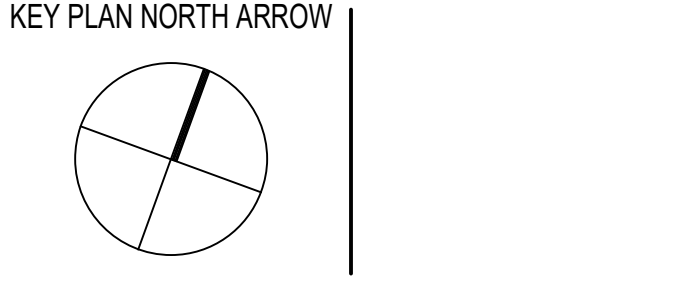
CENTRAL FALLS HIGH SCHOOL
10 HIGGINSON AVE, CENTRAL FALLS, RI

KEYNOTE LEGEND:

- 03 30 00.03 CONCRETE SLAB ON DECK - SEE STRUCTURAL
- 05 12 00.01 STEEL BEAM - SEE STRUCTURAL
- 05 12 00.06 STEEL TUBE - SEE STRUCTURAL
- 05 12 00.33 STEEL STIFFENER - SEE STRUCTURAL
- 05 12 00.36 STEEL PLATE BENT - SEE STRUCTURAL
- 05 31 00.11 STEEL ROOF DECK - 3 INCH GALVANIZED - SEE STRUCTURAL
- 05 40 00.03 STEEL STUDS - 3.58 INCH - 16 INCHES O.C. MAX
- 05 40 00.06 STEEL STUDS - 6 INCH - 16 INCHES O.C. MAX
- 05 40 00.19 STEEL Z-CLIP - 18 GAGE MIN. - 1 INCH MIN. DEPTH - 16 INCHES O.C. MAX
- 06 10 00.11 WOOD BLOCKING - (2X) PRESSURE TREATED - SIZE AS NOTED OR DRAWN
- 06 10 00.21 WOOD BLOCKING - (2X) FIRE RETARDANT TREATED - SIZE AS NOTED OR DRAWN
- 06 10 00.34 PLYWOOD - 3/4 INCH
- 06 10 00.43 PLYWOOD PRESSURE TREATED - 5/8 INCH
- 06 16 00.01 GYPSUM EXTERIOR SHEATHING - 5/8 INCH
- 06 20 00.04 HARDWOOD TRIM - BULLNOSE - TRANSPARENT FINISH
- 06 20 00.33 HARDWOOD VENEER PLYWOOD - 3/4 INCH - TRANSPARENT FINISH
- 06 20 00.43 PLYWOOD - 3/4 INCH
- 07 21 00.20 GLASS FIBER BLANKET INSULATION - MATCH DEPTH OF STUD - UNFACED
- 07 21 00.30 MINERAL WOOL INSULATION
- 07 21 00.50 MINERAL WOOL INSULATION - RIGID - EXTERIOR - 2 INCH
- 07 21 00.60 MINERAL WOOL INSULATION - FOIL-FACED
- 07 21 00.61 FOIL, SCRAM, AND KRAFT TAPE
- 07 27 13.01 AIR VAPOR BARRIER MEMBRANE - SELF-ADHERING
- 07 27 13.05 AIR VAPOR BARRIER TRANSITION MEMBRANE - SELF-ADHERING
- 07 27 13.11 BACKER ROD - SIZE AND TYPE AS REQUIRED
- 07 27 13.20 FLASHING - STAINLESS STEEL
- 07 46 46.01 MINERAL FIBER CEMENT PANEL - REFERENCE ELEVATIONS FOR COLOR
- 07 46 46.54 HORIZONTAL Z TRIM
- 07 46 46.58 DOUBLE HORIZONTAL TRIM
- 07 48 00.11 HORIZONTAL GRFT - REFER TO SHOP DRAWINGS FOR SIZE
- 07 48 00.12 VERTICAL PANEL RAIL - REFER TO SHOP DRAWINGS FOR SIZE
- 07 48 00.22 STAINLESS STEEL SELF-DORLING SCREW WITH THERMAL ISOLATION
- 07 54 19.01 PVC SINGLE PLY MEMBRANE ROOFING
- 07 54 19.02 HIGH DENSITY POLYISO RECOVERY BOARD
- 07 54 19.03 POLYISO RIGID INSULATION
- 07 54 19.04 POLYISO TAPERED INSULATION
- 07 54 19.09 SHEET VAPOR RETARDER - TAPE SEAMS
- 07 54 19.15 S-SIDED METAL PAN
- 07 54 19.80 WALKWAY PADS
- 07 72 00.81 ROOF PAVEN - CONCRETE
- 07 72 00.82 ROOF PAVEN - ADJUSTABLE PEDESTAL
- 07 72 00.83 ROOF PAVEN - DRAINAGE PAVEN
- 07 81 00.01 CEMENTITIOUS FIREPROOFING
- 07 81 00.02 FIRE SAFING MINERAL WOOL
- 07 82 00.01 JOINT SEALANT - TYPE AS REQUIRED
- 07 82 00.02 BACKER ROD AND SEALANT - TYPE AS REQUIRED
- 08 43 13.01 ALUMINUM STOREFRONT FRAME
- 08 43 13.02 ALUMINUM ENTRANCE DOOR
- 08 43 13.03 SPANDREL GLASS
- 08 43 13.31 SUB-FRAME / RECEPTOR
- 08 71 00.11 ALUMINUM THRESHOLD
- 09 22 16.01 METAL STUD - 1.58 INCH - 16 INCHES O.C. MAX

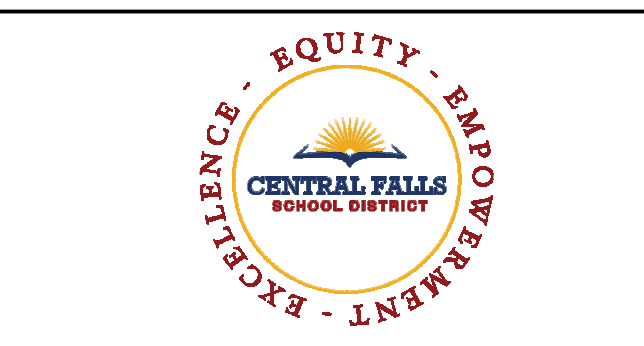


100% CONSTRUCTION DOCUMENTS



DRAWING NAME:
VERTICAL WALL DETAILS

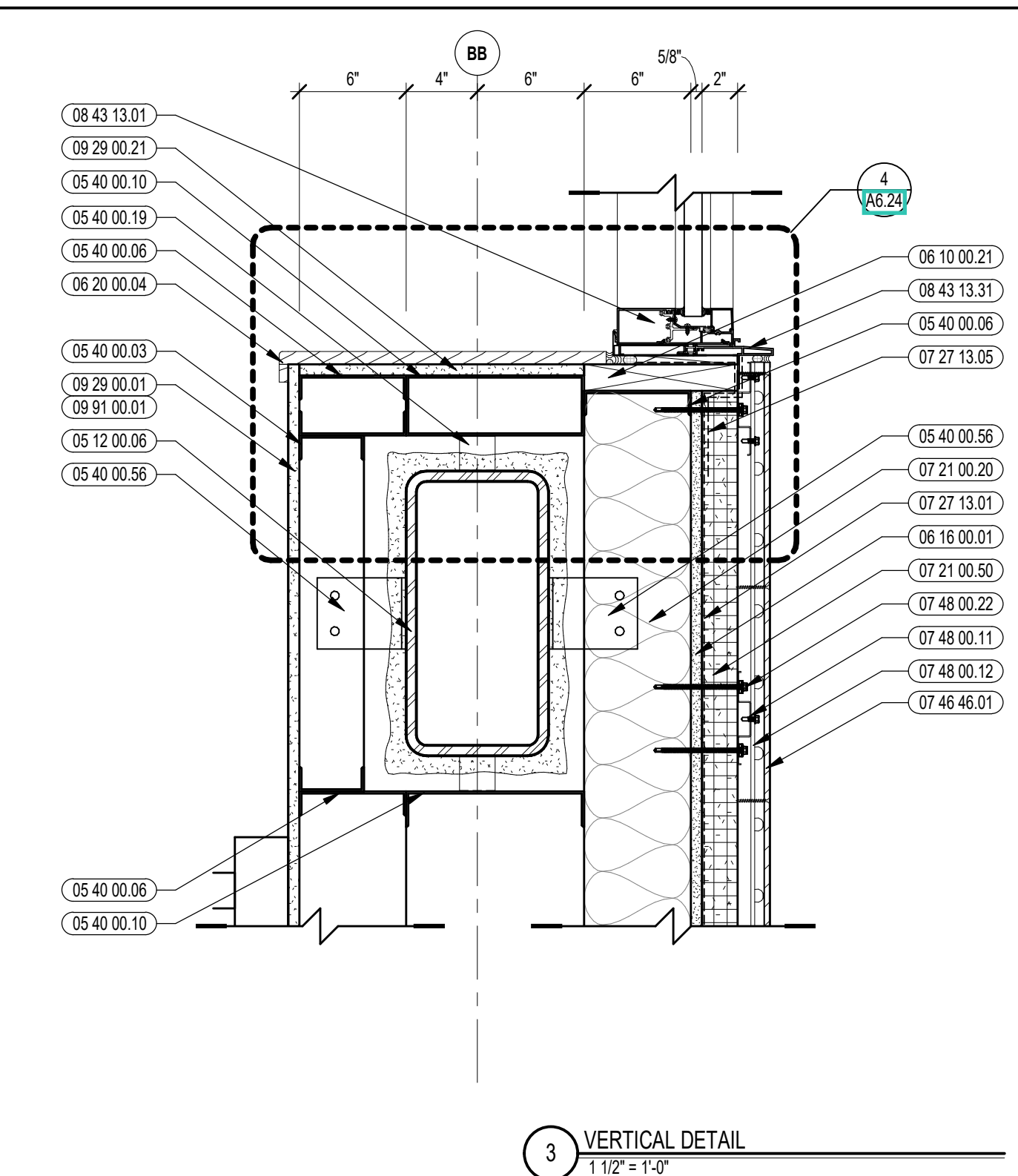
DRAWN BY: BFC
REVIEWED BY: CHR/KK
SCALE: AS INDICATED | DRAWING NUMBER:
JOB NO.: 2202.02
DATE: OCTOBER 13, 2023 **A5.17**



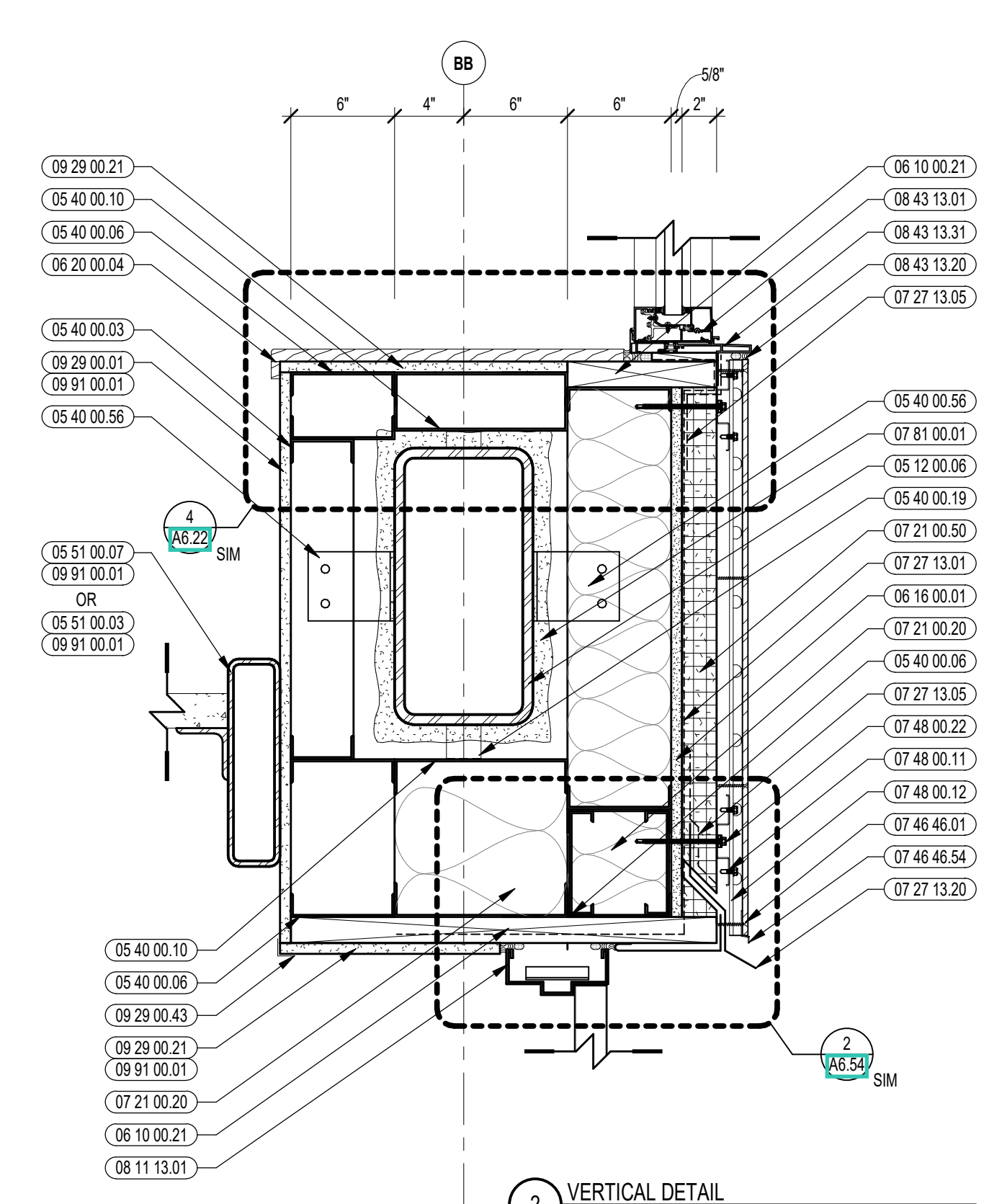
CENTRAL FALLS HIGH SCHOOL
10 HIGGINSON AVE, CENTRAL FALLS, RI

KEYNOTE LEGEND:

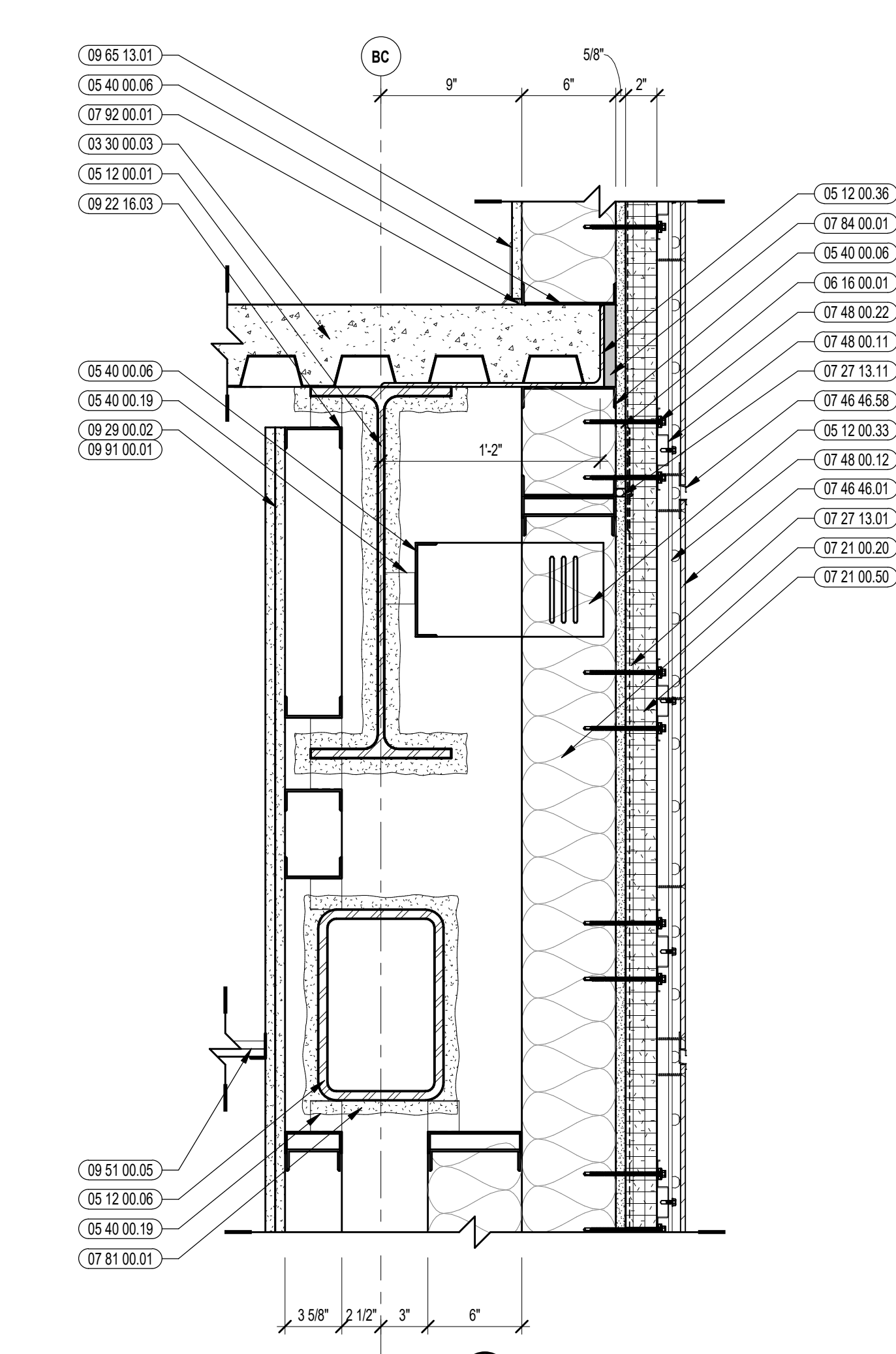
- 03 00 00.00 CONCRETE SLAB ON DECK - SEE STRUCTURAL
- 04 20 00.10 CMU/BASE - GROUND FACE CMU - REFERENCE DETAILS FOR TYPE AND DEPTH
- 04 20 00.50 MASONRY MORTAR
- 04 20 00.61 TYPICAL MASONRY ANCHORTIES - REFERENCE SPECIFICATION FOR SPACING
- 04 20 00.63 COMPRESSIBLE FILLER AT TOP OF MASONRY PARTITIONS AND EXPANSION JOINTS
- 04 20 00.69 AIR SPACE - MAINTAIN CLEAR OF MORTAR
- 05 12 00.01 STEEL BEAM - SEE STRUCTURAL
- 05 12 00.06 STEEL TUBE - SEE STRUCTURAL
- 05 12 00.33 STEEL STIFFENER - SEE STRUCTURAL
- 05 12 00.38 STEEL PLATE BENT - SEE STRUCTURAL
- 05 40 00.02 STEEL STUDS - 2 1/2 INCH - 16 INCHES O.C. MAX
- 05 40 00.03 STEEL STUDS - 3/8 INCH - 16 INCHES O.C. MAX
- 05 40 00.06 STEEL STUDS - 8 INCH - 16 INCHES O.C. MAX
- 05 40 00.10 STEEL STUDS - 10 INCH - 16 INCHES O.C. MAX
- 05 40 00.19 STEEL Z-CLIP - 16 GAGE MIN. - 1 INCH MIN. DEPTH - 16 INCHES O.C. MAX
- 05 40 00.56 LIGHT GAGE BENT PLATE - SIZE AS REQUIRED
- 05 40 00.51 STEEL ANGLE UNTEL - REFERENCE STRUCTURAL STEEL SCHEDULE
- 05 40 00.03 STEEL CHANNEL STRINGER
- 05 10 00.07 STEEL TUBE STRINGER
- 06 10 00.21 WOOD BLOCKING - (2X) FIRE RETARDANT TREATED - SIZE AS NOTED OR DRAWN
- 06 10 00.34 PLYWOOD - 5/8 INCH
- 06 10 00.01 GYPSUM EXTERIOR SHEATHING - 5/8 INCH
- 06 20 00.04 HARDWOOD TRIM - BULLNOSE - TRANSPARENT FINISH
- 07 21 00.20 GLASS FIBER BLANKET INSULATION - MATCH DEPTH OF STUD UNLINED
- 07 21 00.50 MINERAL WOOL INSULATION - RIGID - EXTERIOR - 2 INCH
- 07 27 13.01 AIR/VAPOR BARRIER MEMBRANE - SELF-ADHERING
- 07 27 13.05 AIR/VAPOR BARRIER TRANSITION MEMBRANE - SELF-ADHERING
- 07 27 13.11 BACKER ROD - SIZE AND TYPE AS REQUIRED
- 07 27 13.20 FLASHING - STAINLESS STEEL
- 07 46 46.01 MINERAL FIBER CEMENT PANEL - REFERENCE ELEVATIONS FOR COLOR
- 07 46 46.54 HORIZONTAL 2 TRIM
- 07 46 46.58 DOUBLE HORIZONTAL TRIM
- 07 48 00.11 HORIZONTAL GRFT - REFER TO SHOP DRAWINGS FOR SIZE
- 07 48 00.12 VERTICAL PANEL RAIL - REFER TO SHOP DRAWINGS FOR SIZE
- 07 48 00.22 STAINLESS STEEL SELF-DRILLING SCREW WITH THERMAL ISOLATION
- 07 81 00.01 CEMENTITIOUS FIREPROOFING
- 07 84 00.01 FIRE SAFING MINERAL WOOL
- 07 92 00.01 JOINT SEALANT - TYPE AS REQUIRED
- 07 92 00.02 BACKER ROD AND SEALANT - TYPE AS REQUIRED
- 08 11 13.01 DOOR AND FRAME - SEE DOOR SCHEDULE
- 08 43 13.01 ALUMINUM STOREFRONT FRAME
- 08 43 13.31 SEALANT & BACKER ROD
- 08 43 13.31 SUB-FRAME / RECEPTOR
- 09 22 16.03 METAL STUD 3/8 INCH - 16 INCHES O.C. MAX
- 09 22 16.06 METAL STUD 6 INCH - 16 INCHES O.C. MAX
- 09 29 00.01 5/8 INCH GYPSUM BOARD - LEVEL 4 FINISH - 1 LAYER
- 09 29 00.02 5/8 INCH GYPSUM BOARD - LEVEL 4 FINISH - 2 LAYERS
- 09 29 00.21 5/8 INCH GYPSUM BOARD - LEVEL 4 FINISH - SAG-RESISTANT
- 09 29 00.43 CORNER BEAD
- 09 51 00.01 ACT TYPE-1 - REFERENCE REFLECTED CEILING PLANS FOR GRID PATTERN



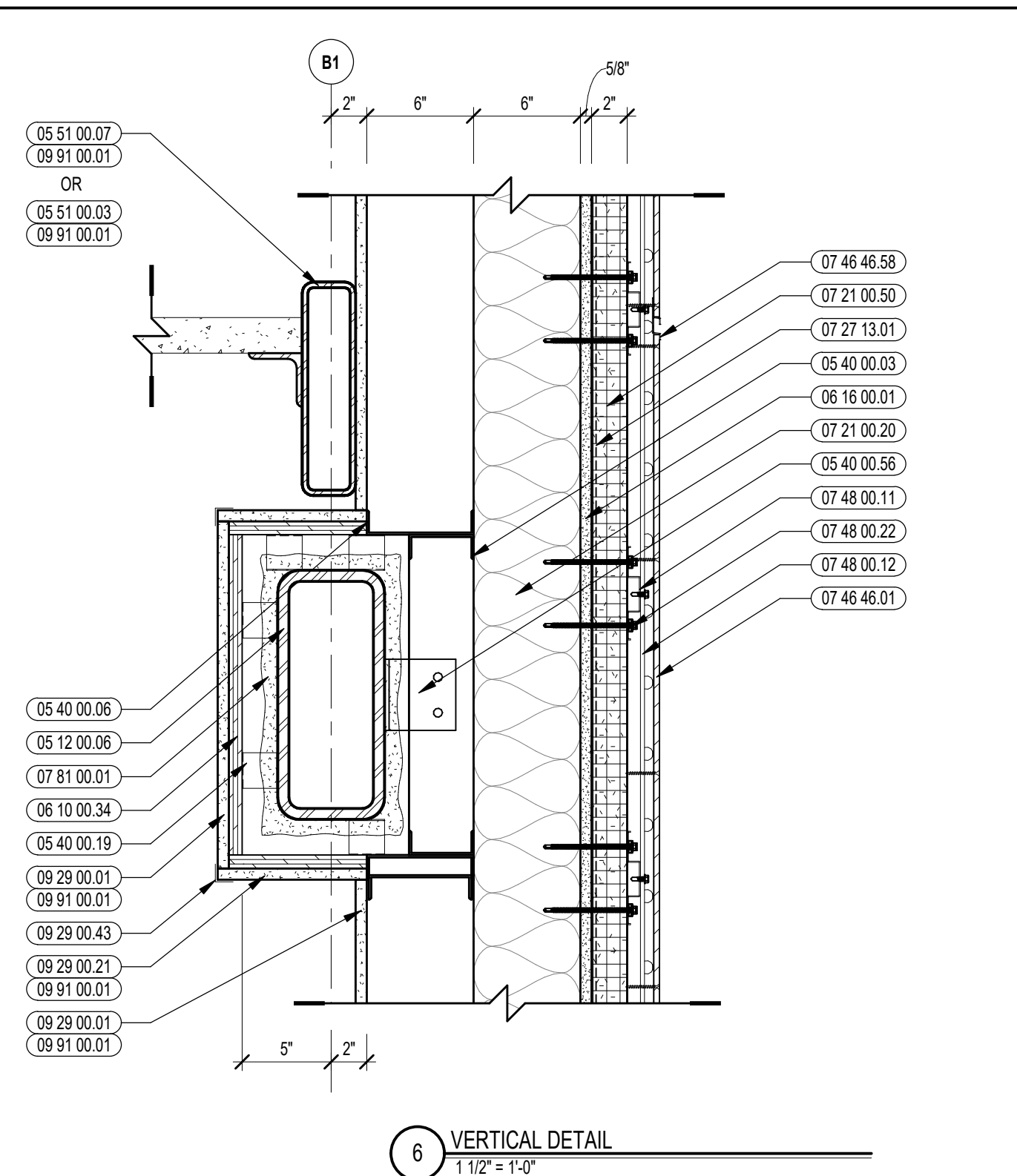
3 VERTICAL DETAIL
1 1/2" = 1'-0"



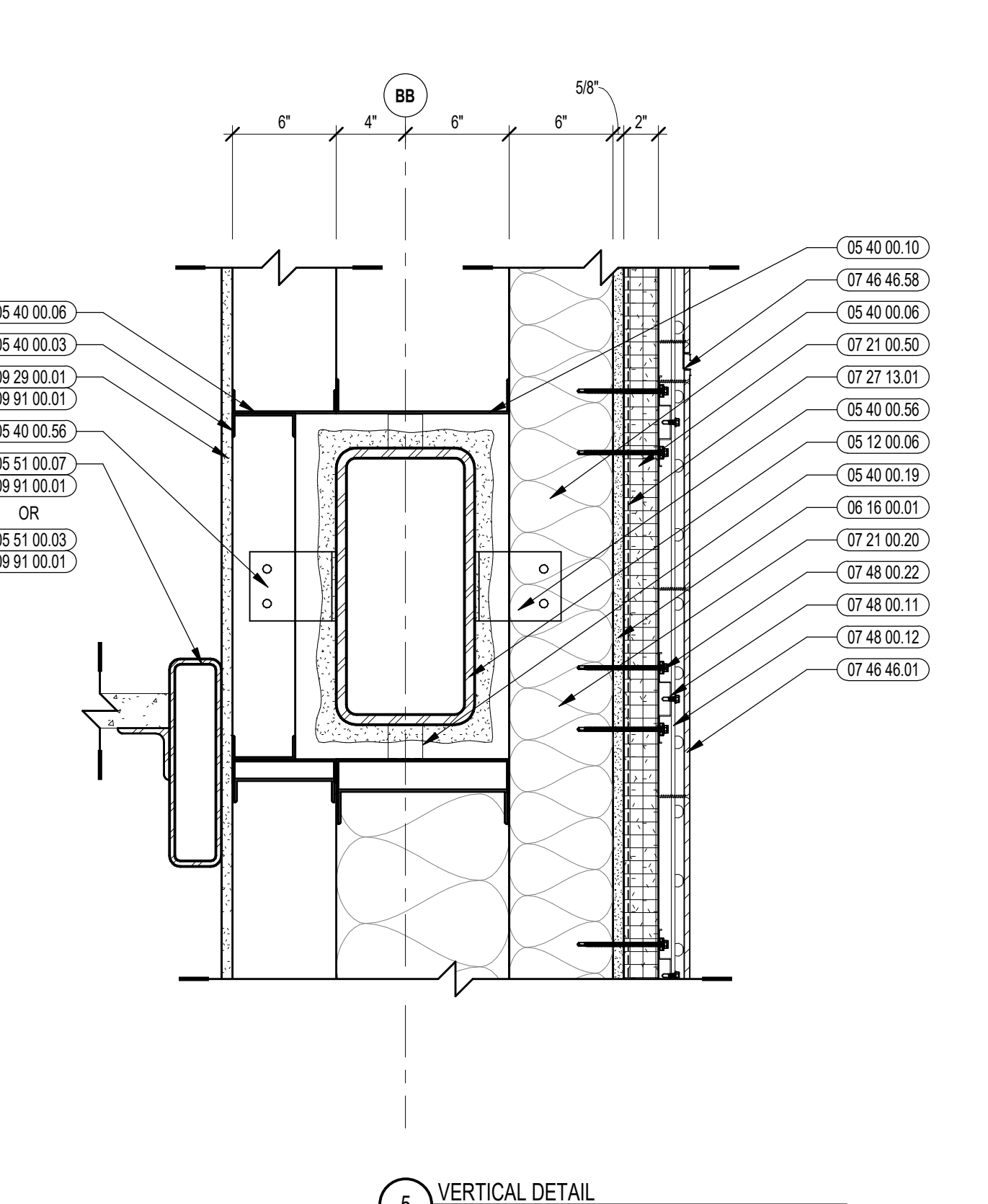
2 VERTICAL DETAIL
1 1/2" = 1'-0"



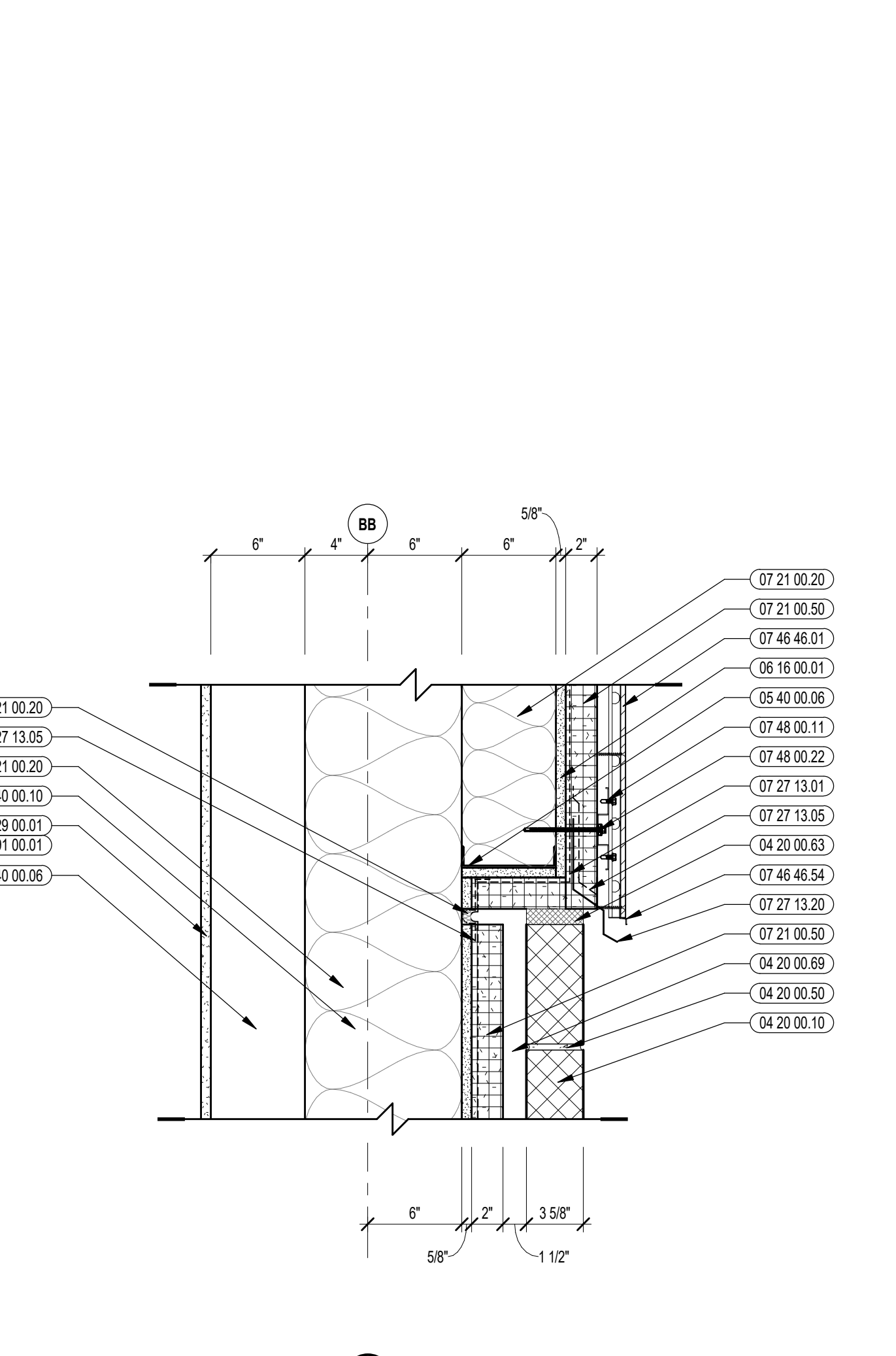
1 VERTICAL DETAIL
1 1/2" = 1'-0"



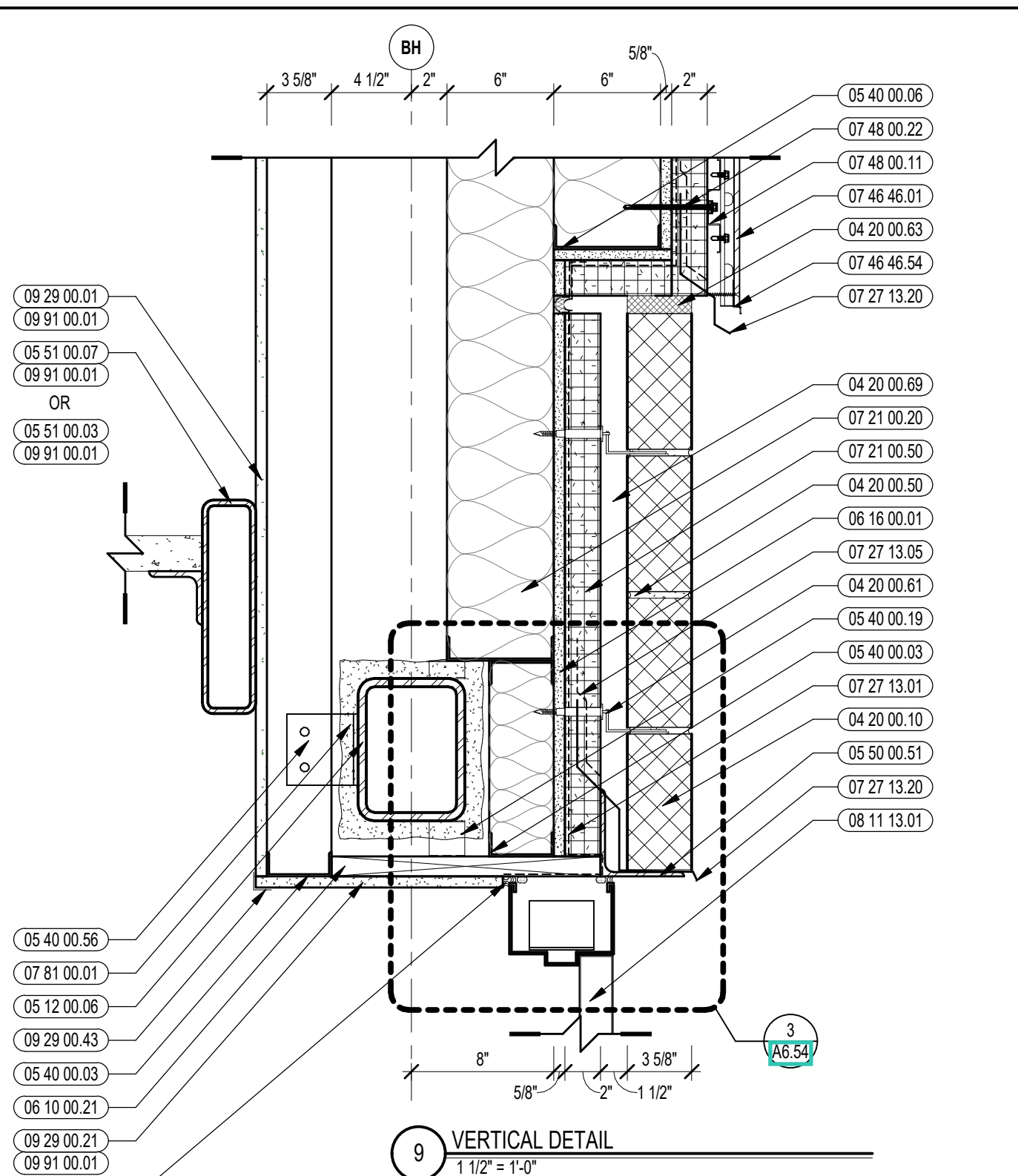
6 VERTICAL DETAIL
1 1/2" = 1'-0"



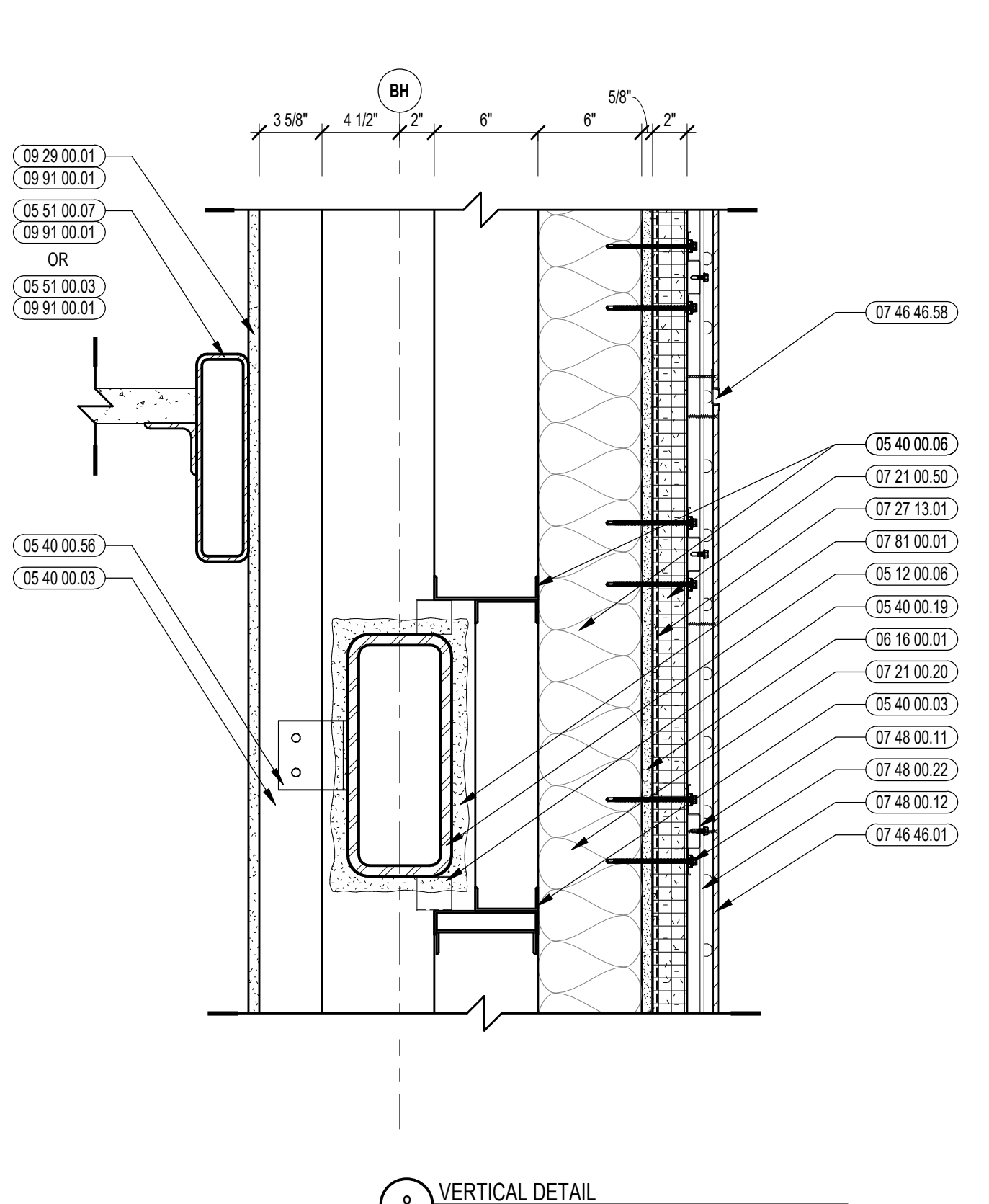
5 VERTICAL DETAIL
1 1/2" = 1'-0"



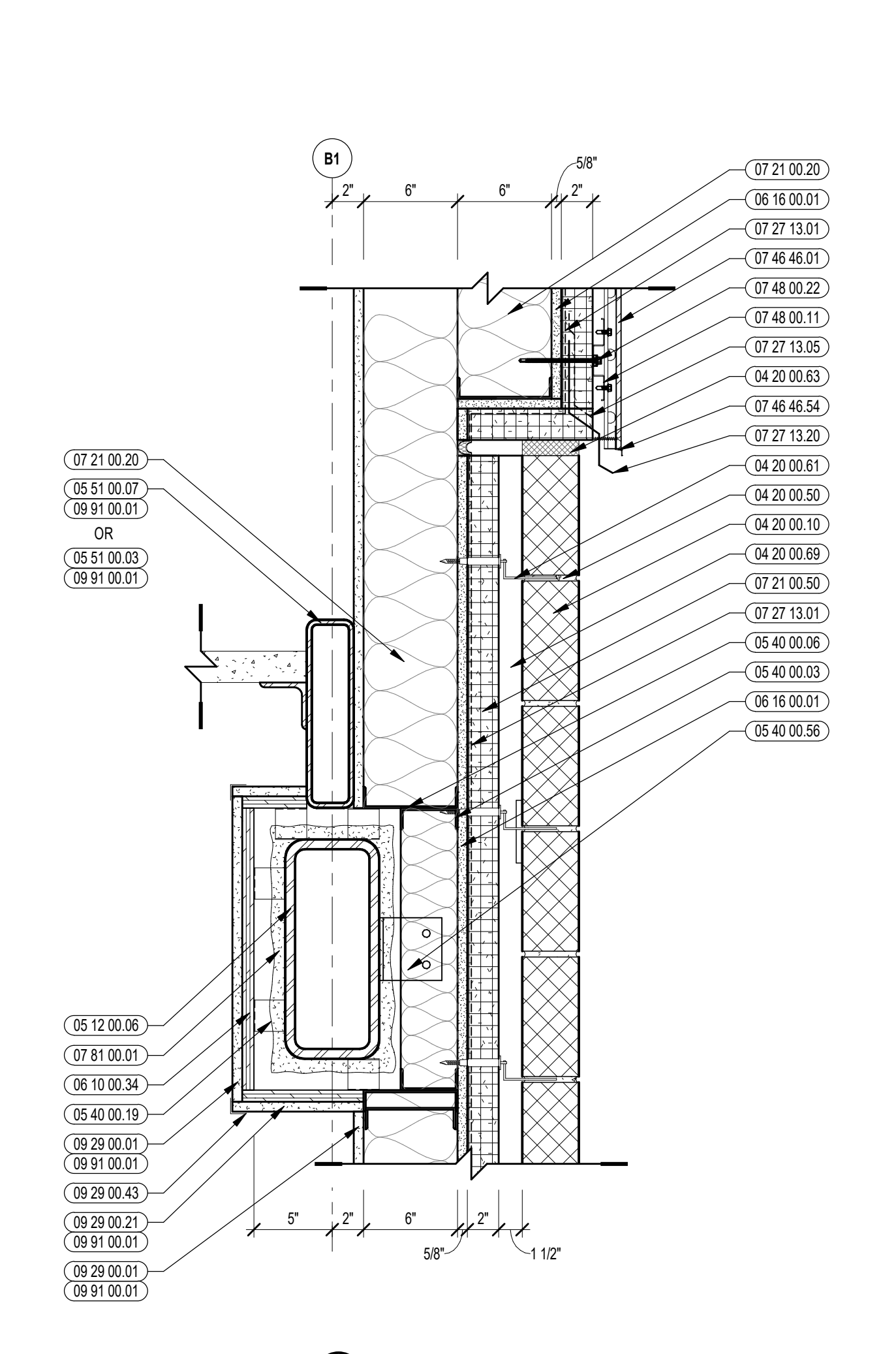
4 VERTICAL DETAIL
1 1/2" = 1'-0"



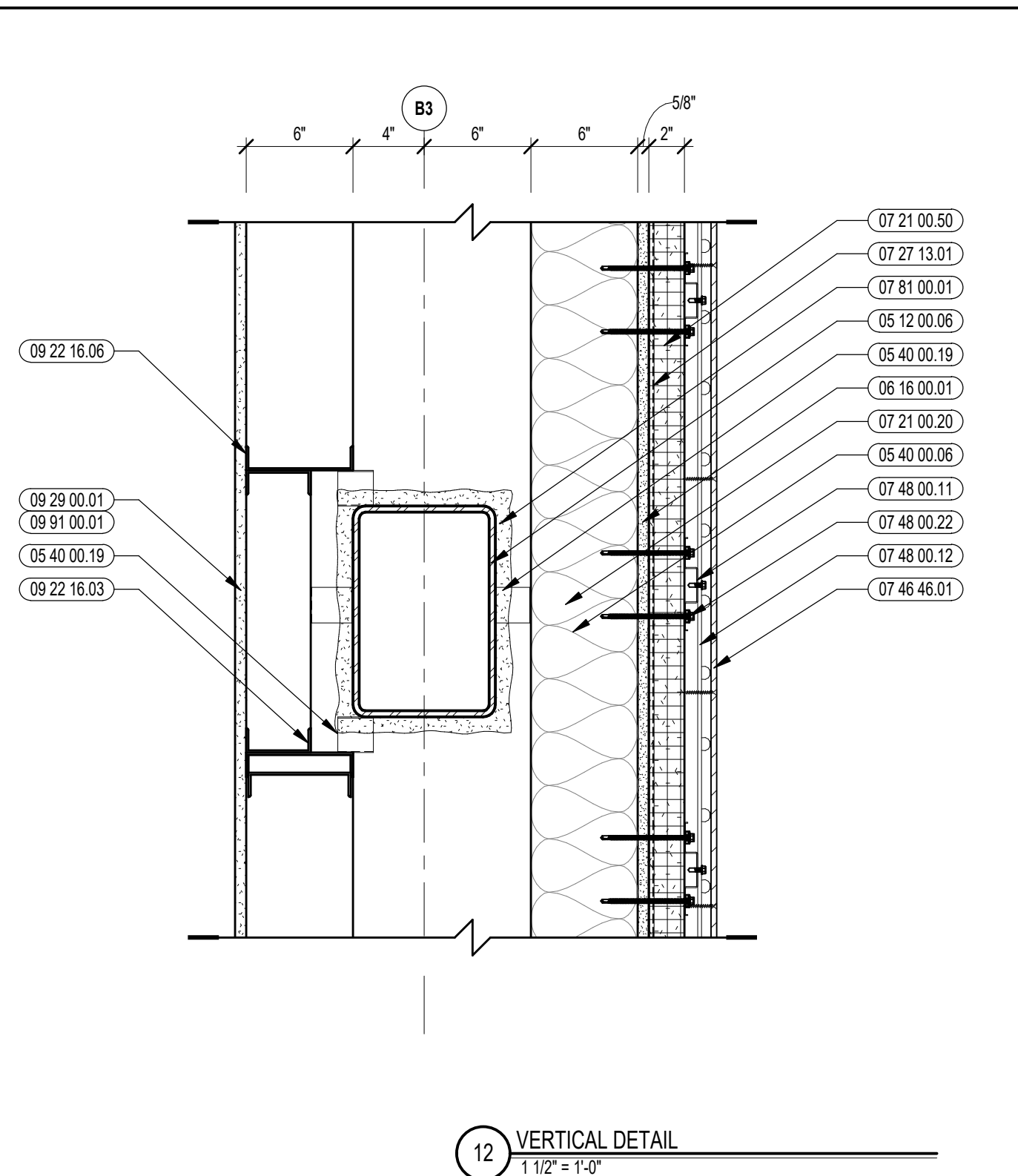
9 VERTICAL DETAIL
1 1/2" = 1'-0"



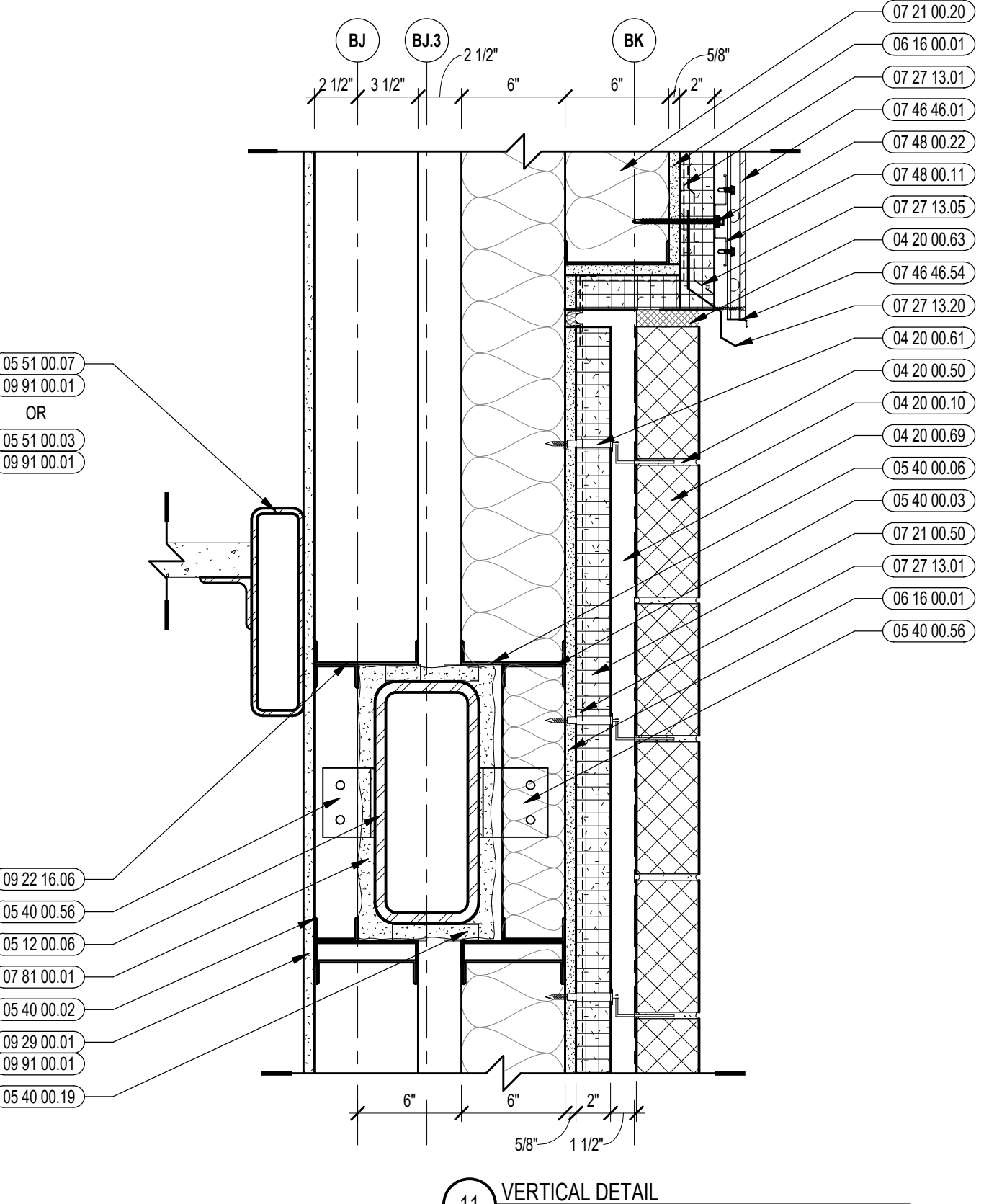
8 VERTICAL DETAIL
1 1/2" = 1'-0"



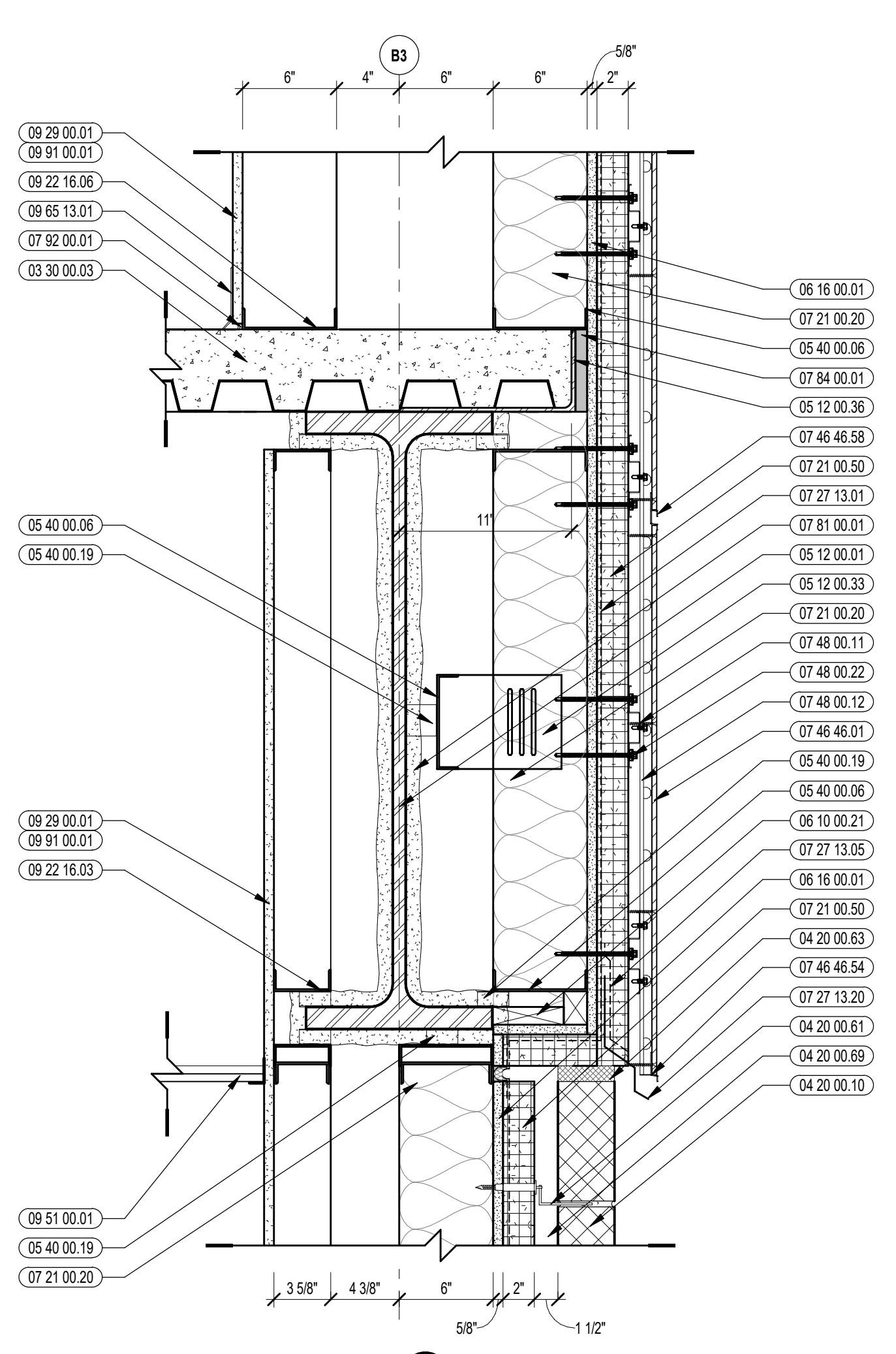
7 VERTICAL DETAIL
1 1/2" = 1'-0"



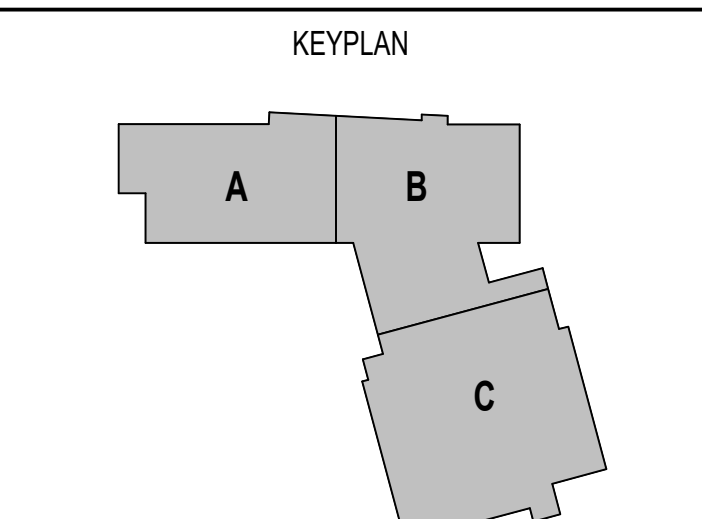
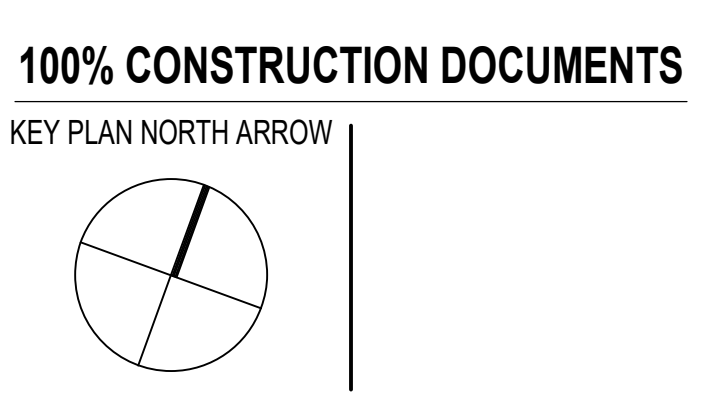
12 VERTICAL DETAIL
1 1/2" = 1'-0"



11 VERTICAL DETAIL
1 1/2" = 1'-0"



10 VERTICAL DETAIL
1 1/2" = 1'-0"



DRAWING NAME:
VERTICAL WALL DETAILS

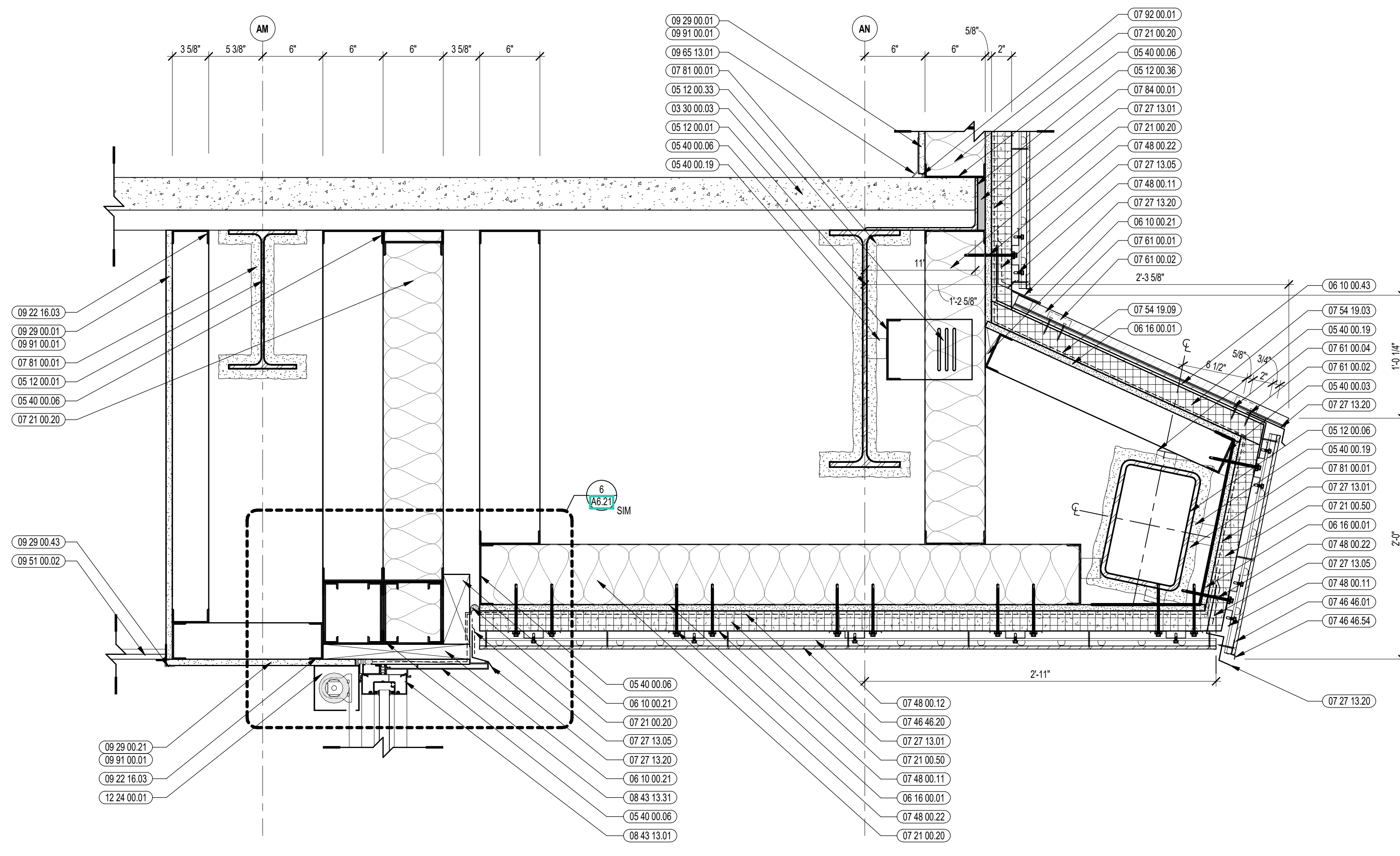
DRAWN BY: BFC
REVIEWED BY: CHR/KK

SCALE: AS INDICATED | DRAWING NUMBER:
JOB NO.: 2202.02 | **A5.18**
DATE: OCTOBER 13, 2023

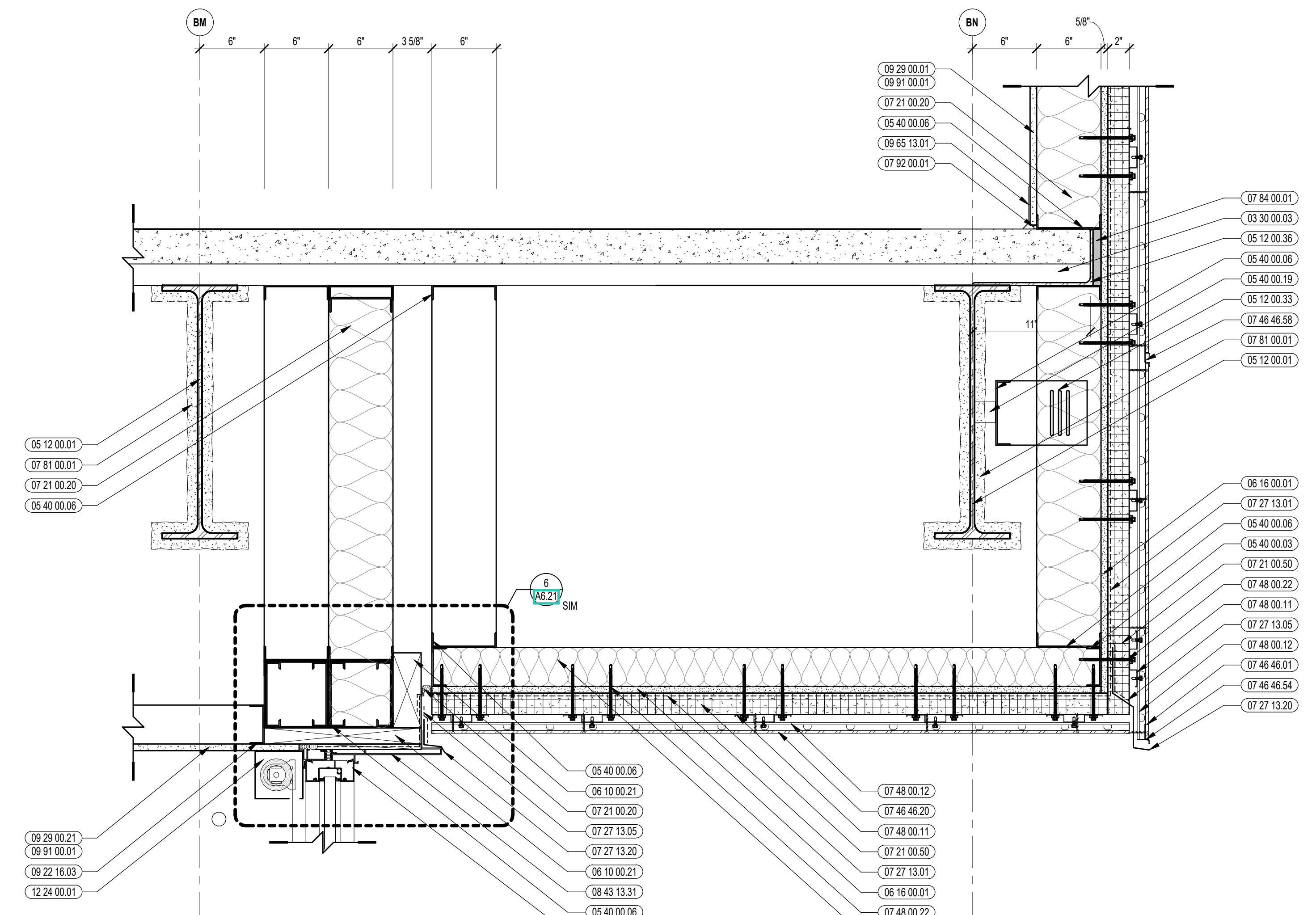


CENTRAL FALLS HIGH SCHOOL
10 HIGGINSON AVE, CENTRAL FALLS, RI

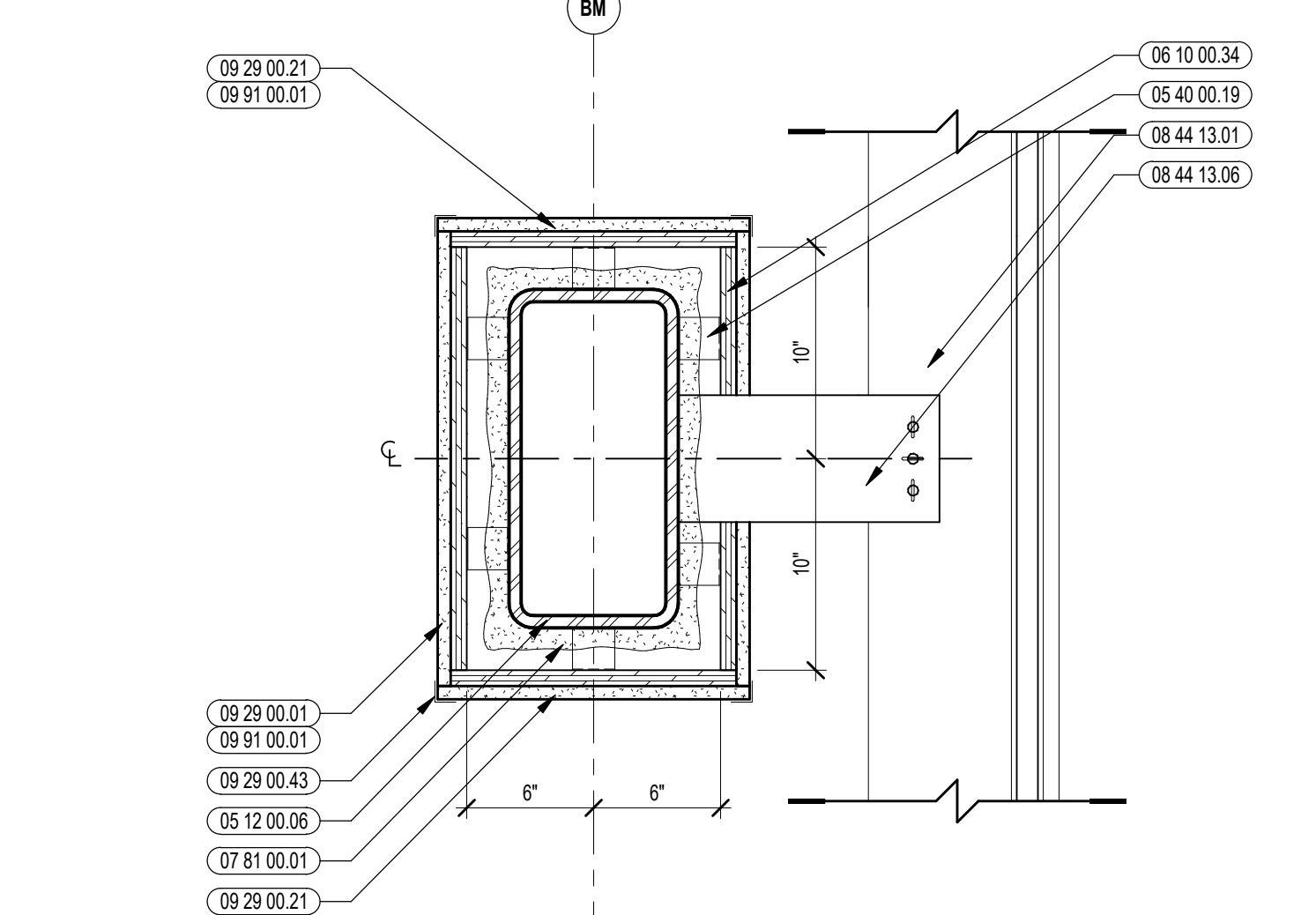
- KEYNOTE LEGEND:**
- 03.30.00.03 CONCRETE SLAB ON DECK - SEE STRUCTURAL
 - 04.20.00.10 CMU BASE - GROUND FACE CMU - REFERENCE DETAILS FOR TYPE AND DEPTH
 - 04.20.00.61 TYPICAL MASONRY ANCHORTIES - REFERENCE SPECIFICATION FOR SPACING
 - 04.20.00.63 COMPRESSIBLE FILLER AT TOP OF MASONRY PARTITIONS AND EXPANSION JOINTS
 - 04.20.00.69 AIR SPACE - MAINTAIN CLEAR OF MORTAR
 - 05.12.00.01 STEEL BEAM - SEE STRUCTURAL
 - 05.12.00.06 STEEL TUBE - SEE STRUCTURAL
 - 05.12.00.33 STEEL STIFFENER - SEE STRUCTURAL
 - 05.12.00.36 STEEL PLATE BENT - SEE STRUCTURAL
 - 05.40.00.03 STEEL STUDS - 3/8 INCH - 16 INCHES O.C. MAX
 - 05.40.00.06 STEEL STUDS - 1/2 INCH - 16 INCHES O.C. MAX
 - 05.40.00.19 STEEL Z-CLIP - 1/8 GAGE MIN. - 1 INCH MIN. DEPTH - 16 INCHES O.C. MAX
 - 06.10.00.21 WOOD BLOCKING - (2X) FIRE RETARDANT TREATED - SIZE AS NOTED OR DRAWN
 - 06.10.00.34 PLYWOOD - 3/4 INCH
 - 06.10.00.43 PLYWOOD PRESSURE TREATED - 5/8 INCH
 - 06.16.00.01 GYPSUM EXTERIOR SHEATHING - 5/8 INCH
 - 07.21.00.20 GLASS FIBER BLANKET INSULATION - MATCH DEPTH OF STUD - UNFACED
 - 07.21.00.50 MINERAL WOOL INSULATION - RIGID - EXTERIOR - 2 INCH
 - 07.27.13.01 AIR VAPOR BARRIER MEMBRANE - SELF-ADHERING
 - 07.27.13.05 AIR VAPOR BARRIER TRANSITION MEMBRANE - SELF-ADHERING
 - 07.27.13.20 FLASHING - STAINLESS STEEL
 - 07.27.13.21 SADDLE FLASHING
 - 07.46.46.01 MINERAL FIBER CEMENT PANEL - REFERENCE ELEVATIONS FOR COLOR
 - 07.46.46.20 MINERAL FIBER CEMENT SOFFIT - COLOR 1
 - 07.46.46.54 HORIZONTAL 2" TRIM
 - 07.46.46.58 DOUBLE HORIZONTAL TRIM
 - 07.48.00.11 HORIZONTAL GRT - REFER TO SHOP DRAWINGS FOR SIZE
 - 07.48.00.12 VERTICAL PANEL RAIL - REFER TO SHOP DRAWINGS FOR SIZE
 - 07.48.00.22 STAINLESS STEEL SELF-DRILLING SCREW WITH THERMAL ISOLATION
 - 07.54.19.03 POLYSTYRENE INSULATION
 - 07.54.19.09 SHEET VAPOR RETARDER - TAPE SEAMS
 - 07.61.00.01 SHEET METAL - STANDING SEAM
 - 07.61.00.02 CLIPS WITH FASTENERS
 - 07.61.00.04 30# ROOFING FELT
 - 07.71.00.04 FACTORY FABRICATED PARAPET WALL CORNER - CUSTOM COLOR
 - 07.81.00.01 CEMENTITIOUS FIREPROOFING
 - 07.84.00.01 FIRE SAFING MINERAL WOOL
 - 07.92.00.01 JOINT SEALANT - TYPE AS REQUIRED
 - 08.43.13.01 ALUMINUM STOREFRONT FRAME
 - 08.43.13.31 SUB-FRAME / RECEPTOR
 - 08.44.13.01 ALUMINUM CURTAIN WALL FRAME
 - 08.44.13.06 SLOTTED BRACE CONNECTION - WELD TO STRUCTURAL STEEL
 - 09.22.16.03 METAL STUD 3/8 INCH - 16 INCHES O.C. MAX
 - 09.29.00.01 5/8 INCH GYPSUM BOARD - LEVEL 4 FINISH - 1 LAYER - SAC-RESISTANT
 - 09.29.00.43 CORNER BEAD
 - 09.51.00.02 ACT TYPE-2
 - 09.65.13.01 RUBBER BASE - 4 INCH
 - 09.72.16.01 VINYL WALL CLADDING - REFERENCE ELEVATIONS FOR TYPE
 - 09.91.00.01 PAINT - SEE SCHEDULE
 - 12.24.00.01 ROLLER SHADE



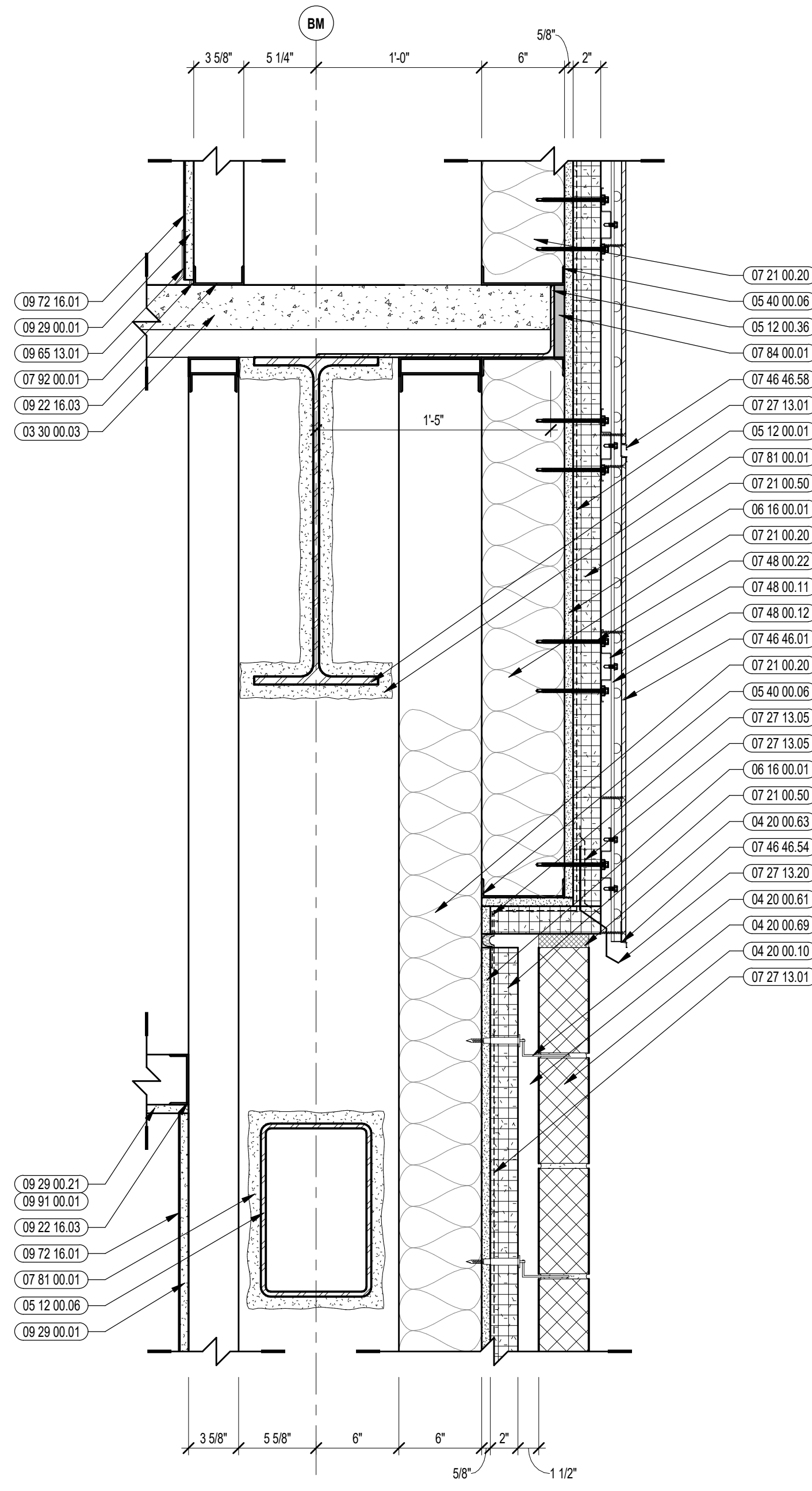
1 VERTICAL DETAIL
1/12" = 1'-0"



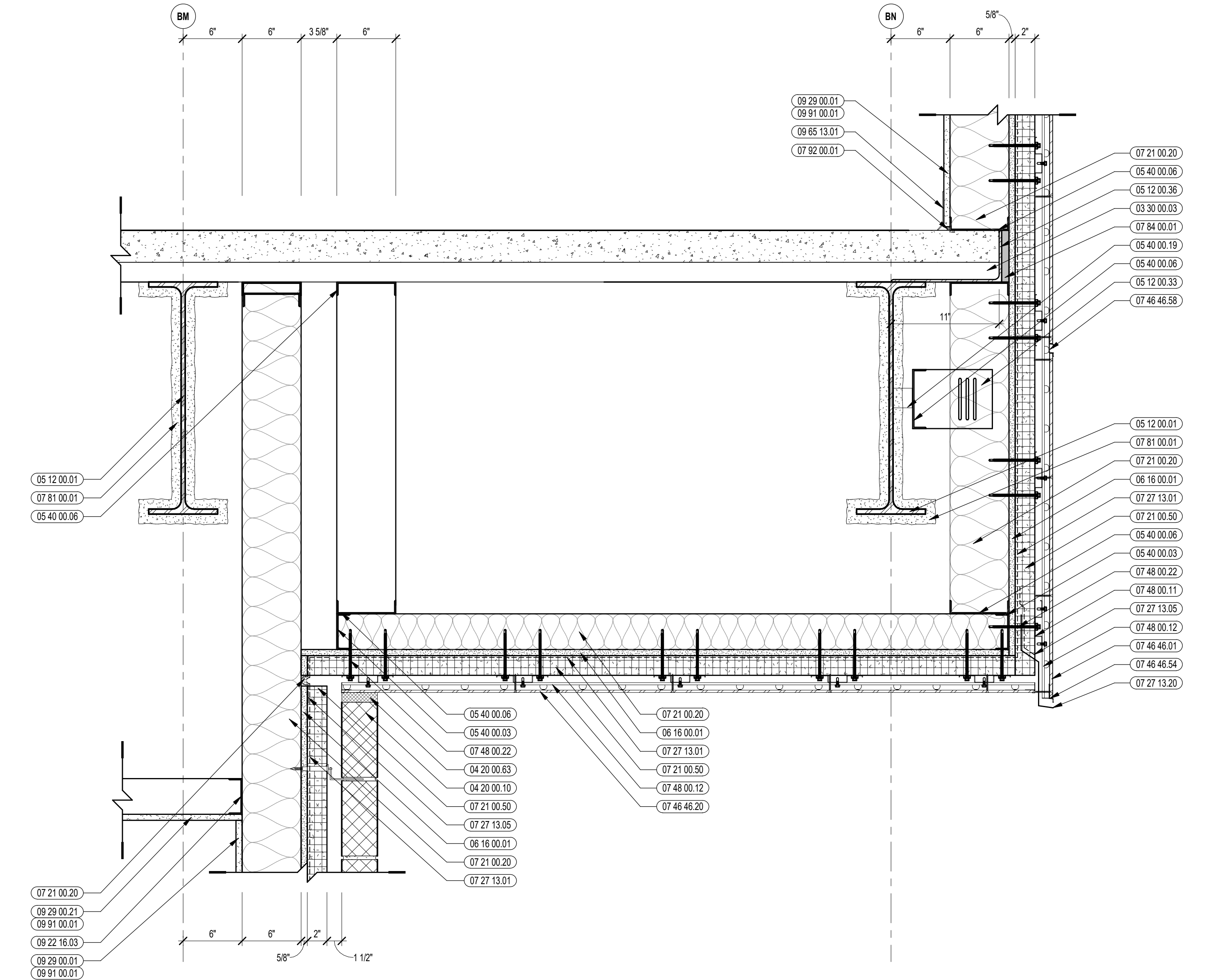
2 VERTICAL DETAIL
1/12" = 1'-0"



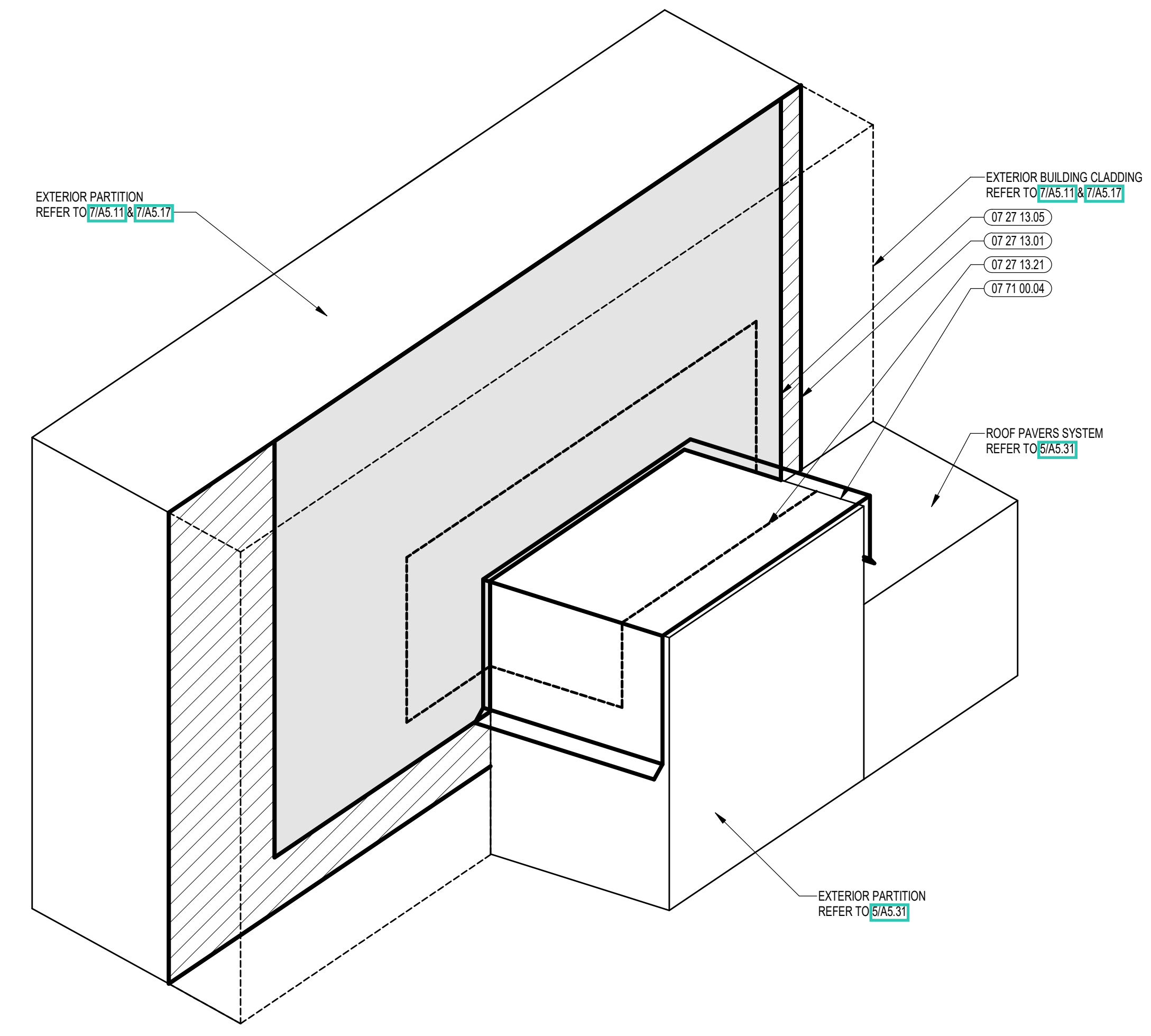
3 PARAPET TO RISING WALL AXON
3/8" = 1'-0"



4 VERTICAL DETAIL
1/12" = 1'-0"



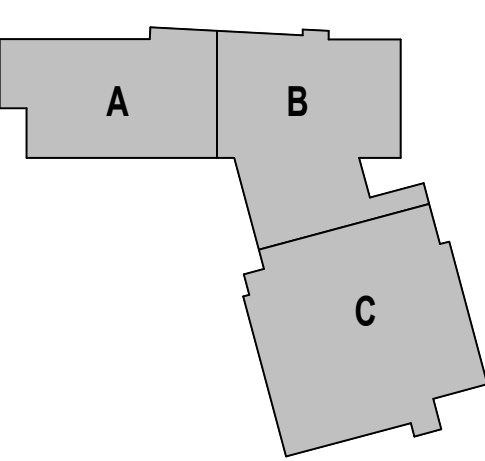
5 VERTICAL DETAIL
1/12" = 1'-0"



6 PARAPET TO RISING WALL AXON
3/8" = 1'-0"

100% CONSTRUCTION DOCUMENTS

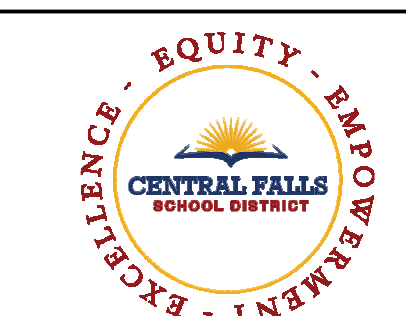
KEY PLAN NORTH ARROW



DRAWING NAME:
VERTICAL WALL DETAILS

DRAWN BY: BFC
REVIEWED BY: CHR/KK

SCALE: AS INDICATED | DRAWING NUMBER:
JOB NO.: 2202.02 | **A5.19**
DATE: OCTOBER 13, 2023



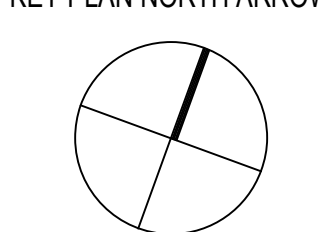
CENTRAL FALLS HIGH SCHOOL
10 HIGGINSON AVE, CENTRAL FALLS, RI

KEYNOTE LEGEND:

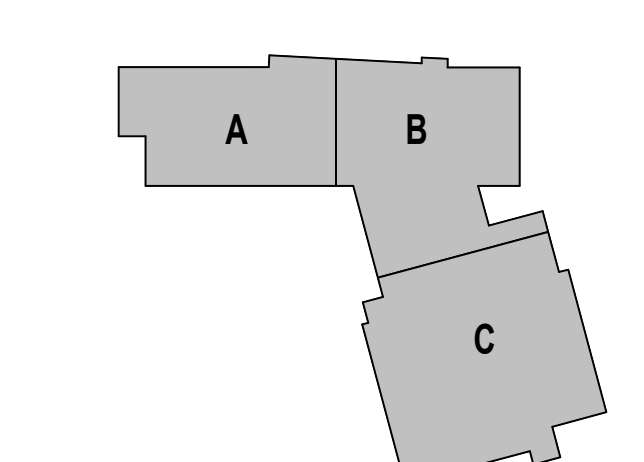
- 03 30 00.08 CONCRETE PAD - SEE STRUCTURAL
- 05 12 00.01 STEEL BEAM - SEE STRUCTURAL
- 05 12 00.16 STEEL CHANNEL - SEE STRUCTURAL
- 05 31 00.11 STEEL ROOF DECK - 3 INCH GALVANIZED - SEE STRUCTURAL
- 05 50 00.03 ROOF ACCESS LADDER - INTERIOR
- 06 10 00.04 WOOD BLOCKING - (2X) CONTINUOUS - PRESSURE TREATED - SIZE AS REQUIRED - ESTABLISH LEVEL INSTALLATION SURFACE FOR ROOFTOP CURB
- 06 10 00.11 WOOD BLOCKING - (2X) PRESSURE TREATED - SIZE AS NOTED OR DRAWN
- 06 10 00.21 WOOD BLOCKING - (2X) FIRE RETARDANT TREATED - SIZE AS NOTED OR DRAWN
- 06 10 00.42 PLYWOOD PRESSURE TREATED - 1/2 INCH FOAMED IN PLACE INSULATION / AIR BARRIER
- 07 21 00.40 POLYISO RIGID INSULATION
- 07 54 19.01 PVC SINGLE PLY MEMBRANE ROOFING
- 07 54 19.03 POLYISO RIGID INSULATION
- 07 54 19.04 POLYISO TAPERED INSULATION
- 07 54 19.05 FLASHING MEMBRANE
- 07 54 19.09 SHEET VAPOR RETARDER - TAPE SEAMS
- 07 54 19.12 BLIND WALKER
- 07 54 19.14 STAINLESS STEEL HOSE CLAMP
- 07 54 19.90 ADHESIVE
- 07 54 19.91 SEALANT - CONTINUOUS
- 07 54 19.92 HOT AIR WELD
- 07 71 00.01 FACTORY FABRICATED FASCIA TRIM ROOF EDGE - CUSTOM COLOR
- 07 72 00.02 ROOF SCUTTLE - TYPE 2 - X-X' x X-X'
- 07 72 00.10 NEOPRENE GASKET ENTIRE PERIMETER TYP.
- 07 72 00.12 SPRING LATCH W/ HANDLE AND PADLOCK HASP ON INSIDE
- 07 72 00.13 PADLOCK HASP
- 07 72 00.40 WELDED ALUMINUM CURB
- 07 72 00.80 HEAT AND SMOKE VENT - 5'-0" x 10'-0"
- 09 29 00.99 GYPSUM BOARD SYSTEM - LEVEL 4 FINISH - REFER TO FLOOR PLANS AND WALL TYPES FOR COMPONENTS
- 22 00 00.20 ROOF DRAIN ASSEMBLY - SEE PLUMBING
- 22 00 00.22 DRAIN PIPE - SEE PLUMBING
- 23 00 00.06 ROOF TOP UNIT - SEE HVAC

100% CONSTRUCTION DOCUMENTS

KEY PLAN NORTH ARROW



KEYPLAN



DRAWING NAME:

TYPICAL ROOF DETAILS

DRAWN BY: BFC / CHR

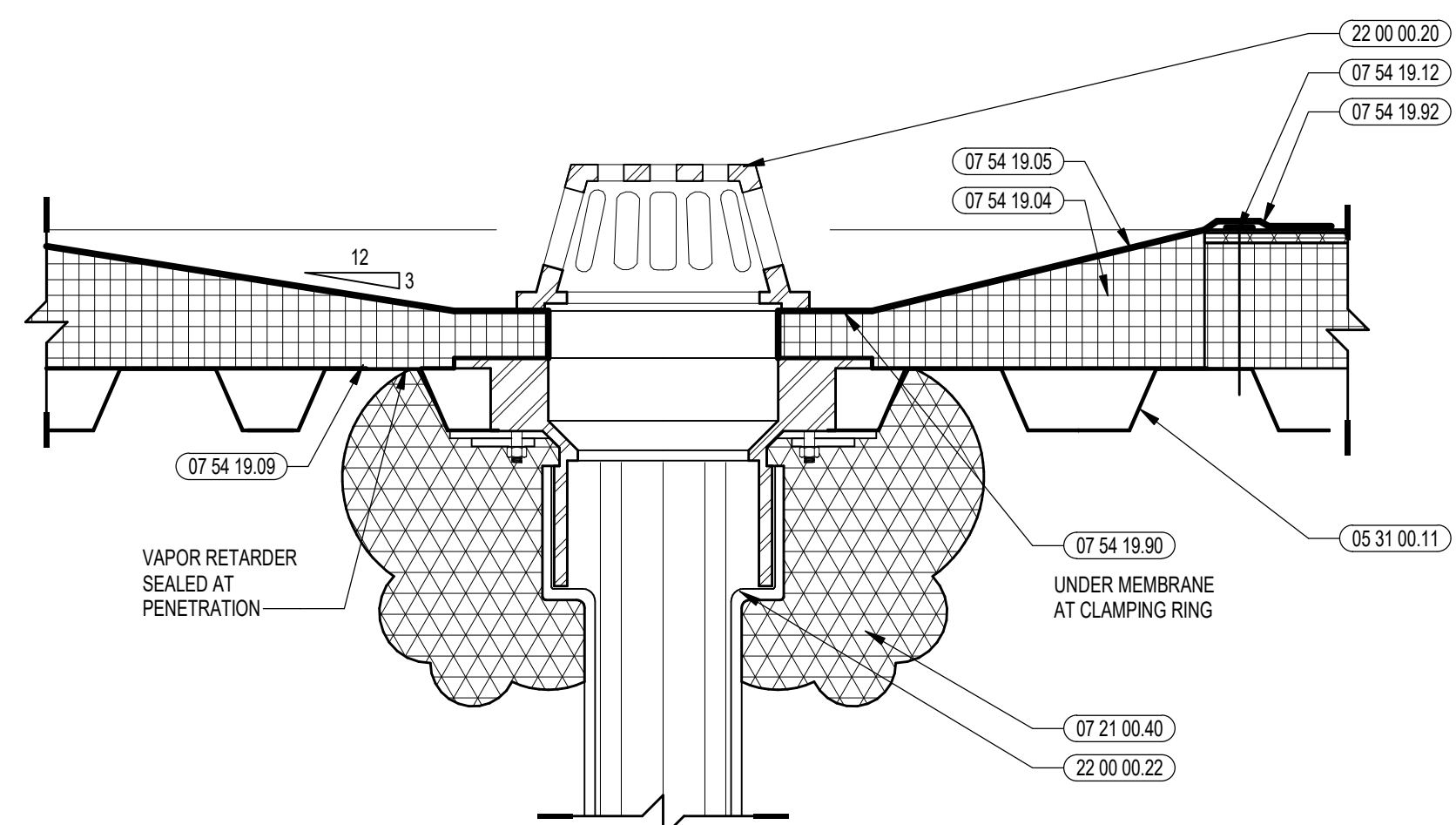
REVIEWED BY: CHR / KRK

SCALE: AS INDICATED | DRAWING NUMBER:

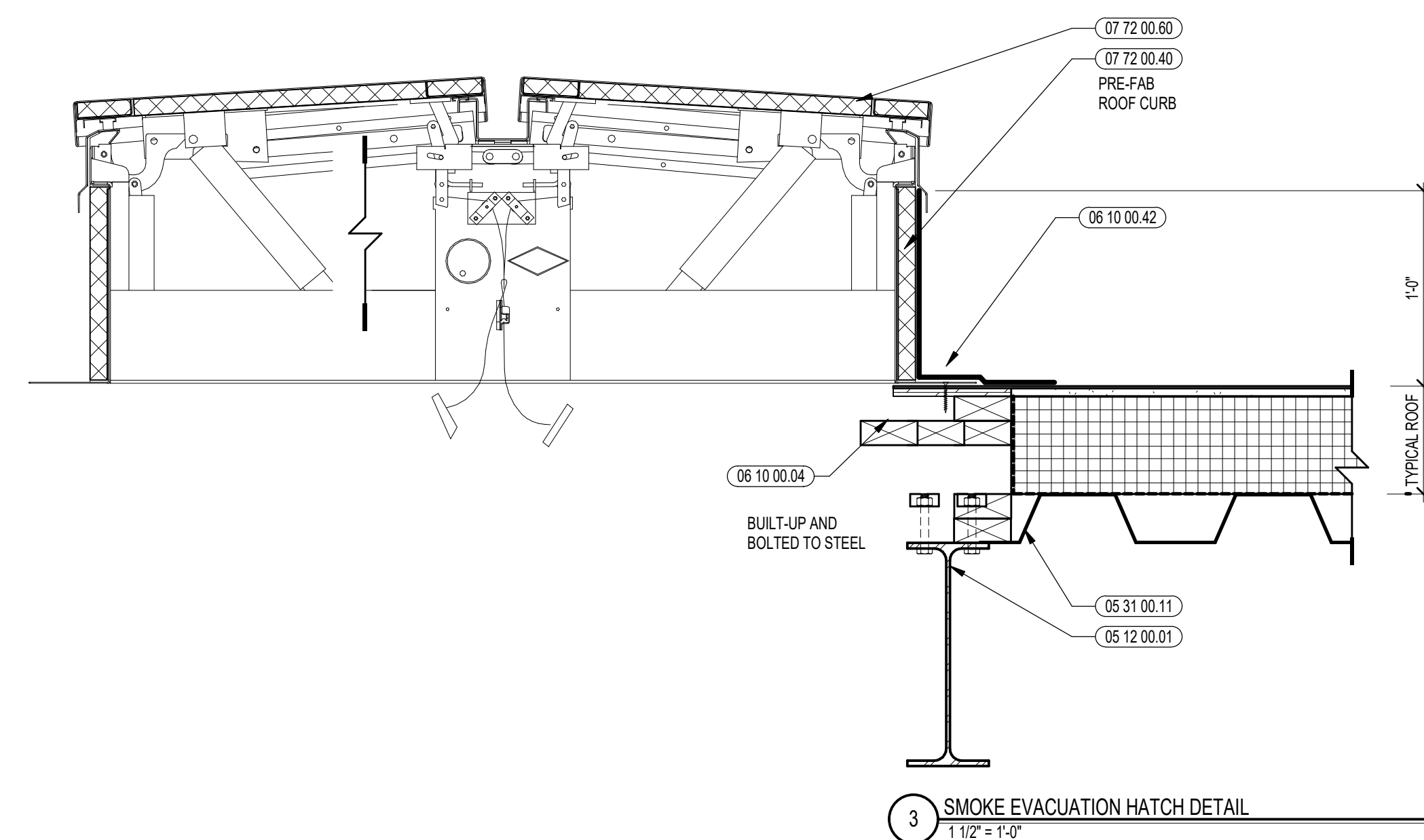
JOB NO.: 2202.02

DATE: OCTOBER 13, 2023

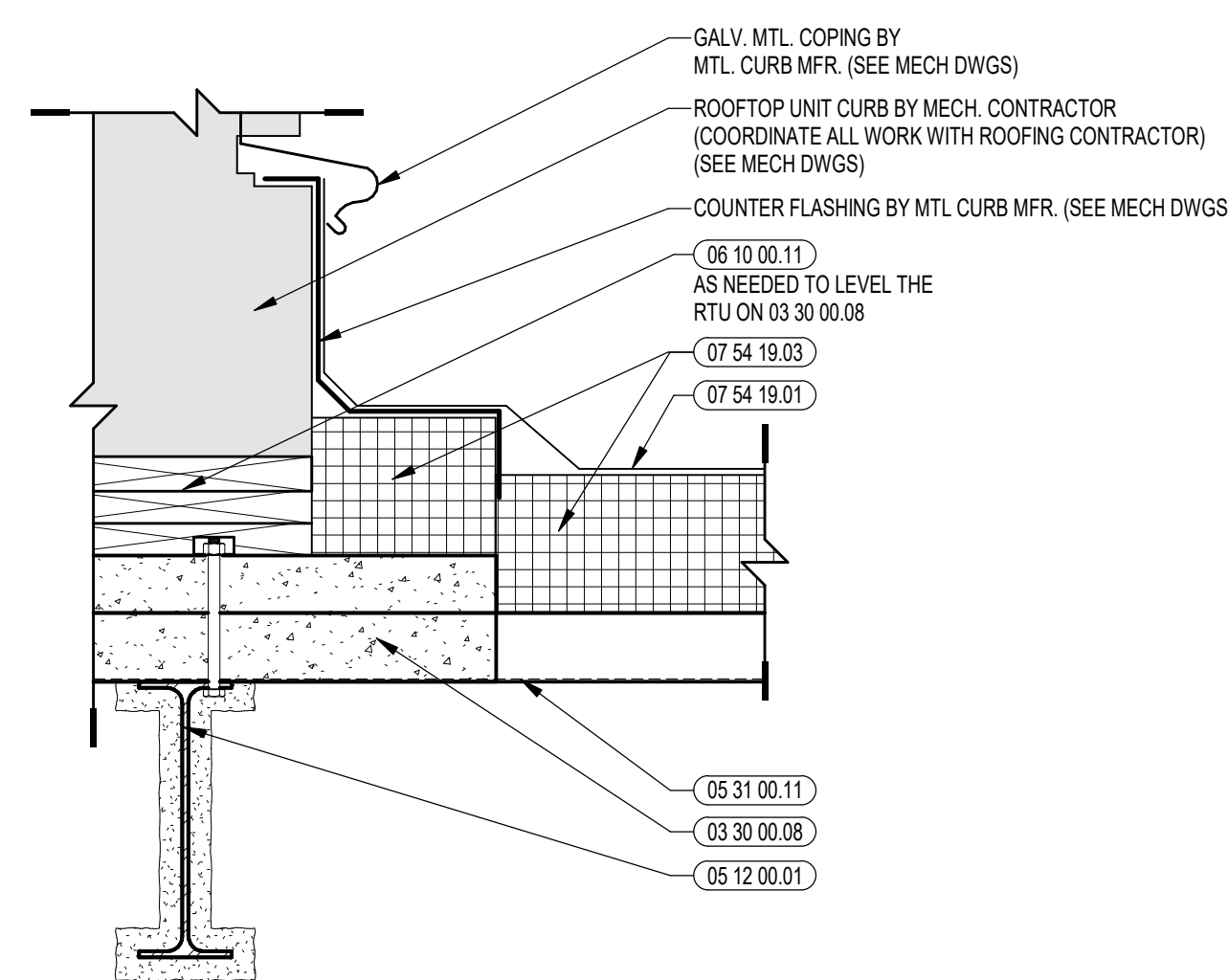
A5.21



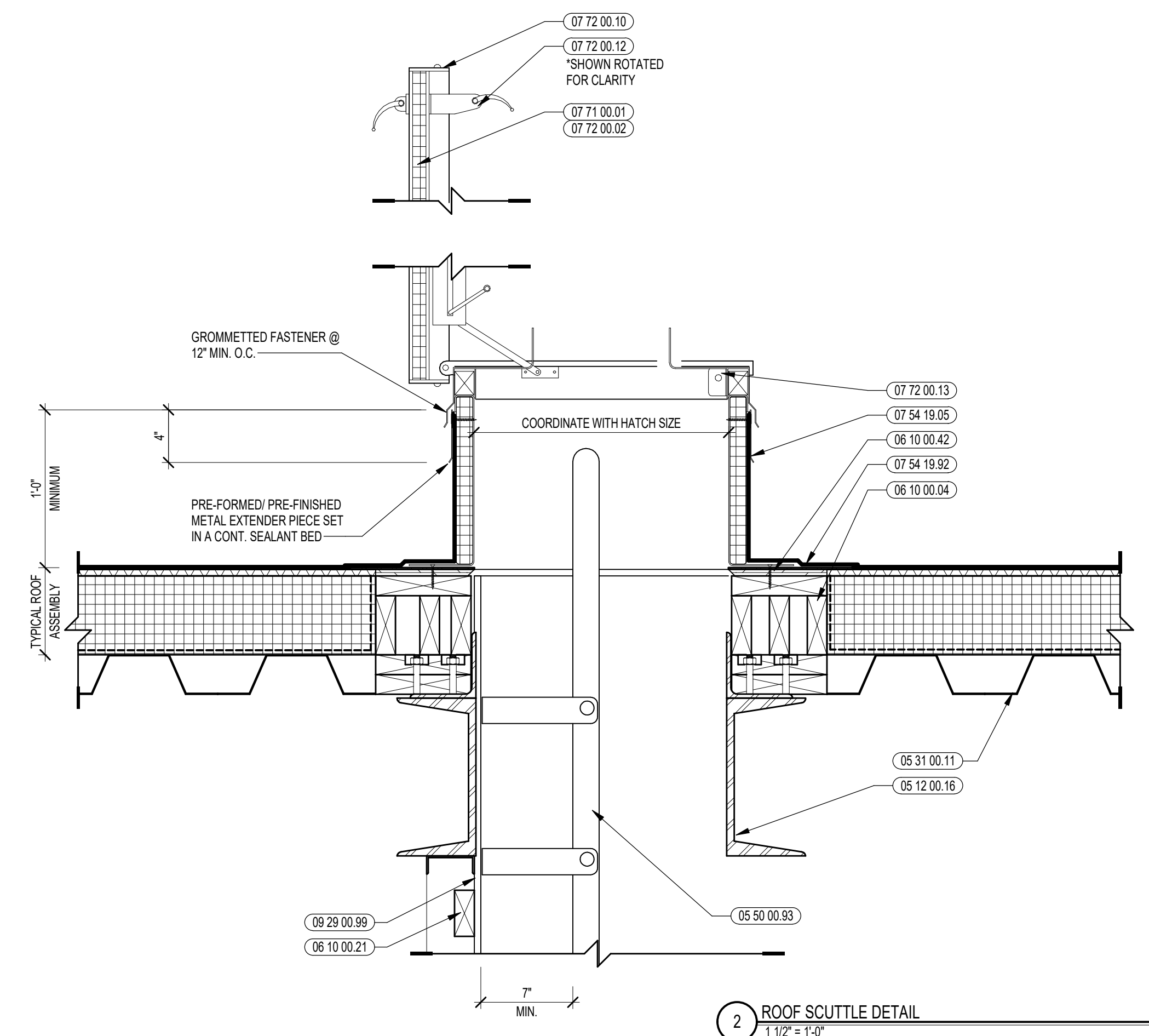
6 TYP. ROOF DRAIN DETAIL
1/12 = 1'-0"



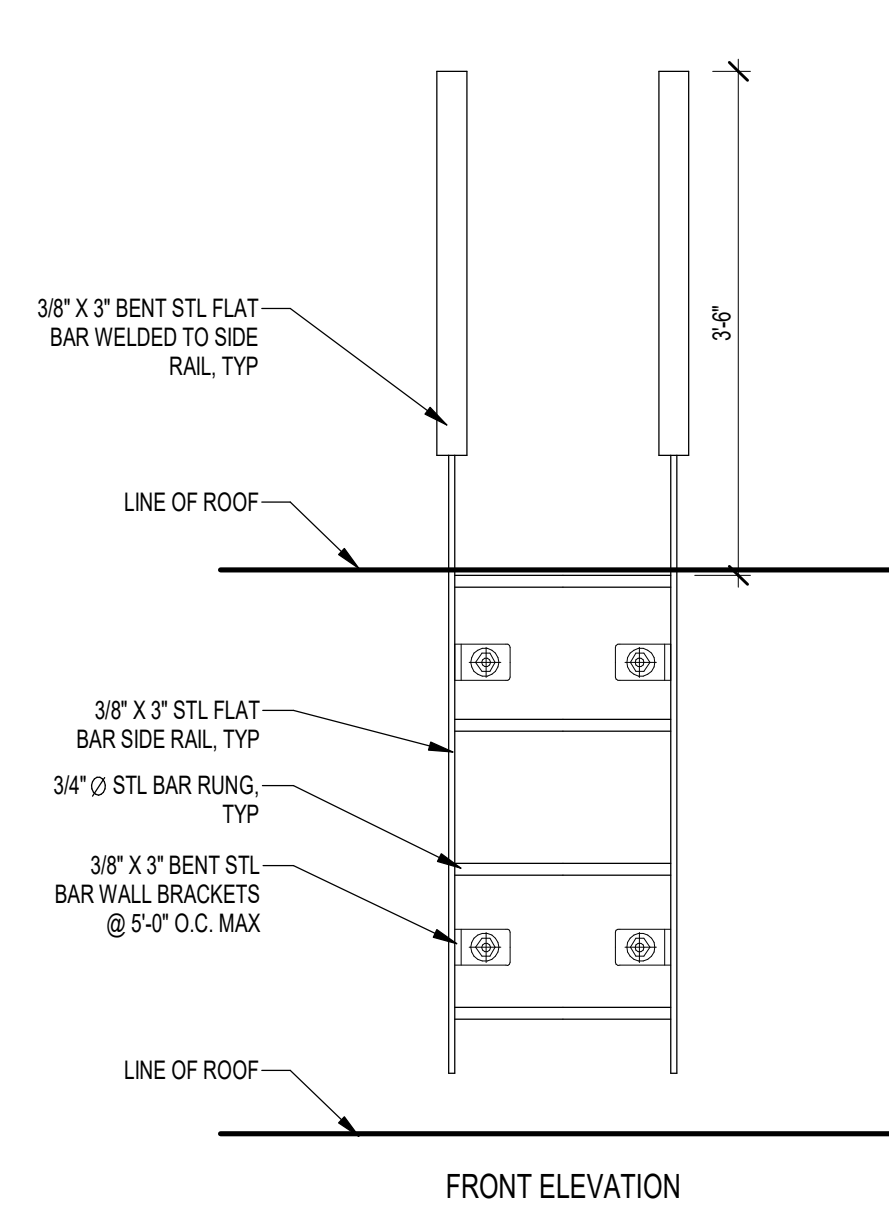
3 SMOKE EVACUATION HATCH DETAIL
1/12 = 1'-0"



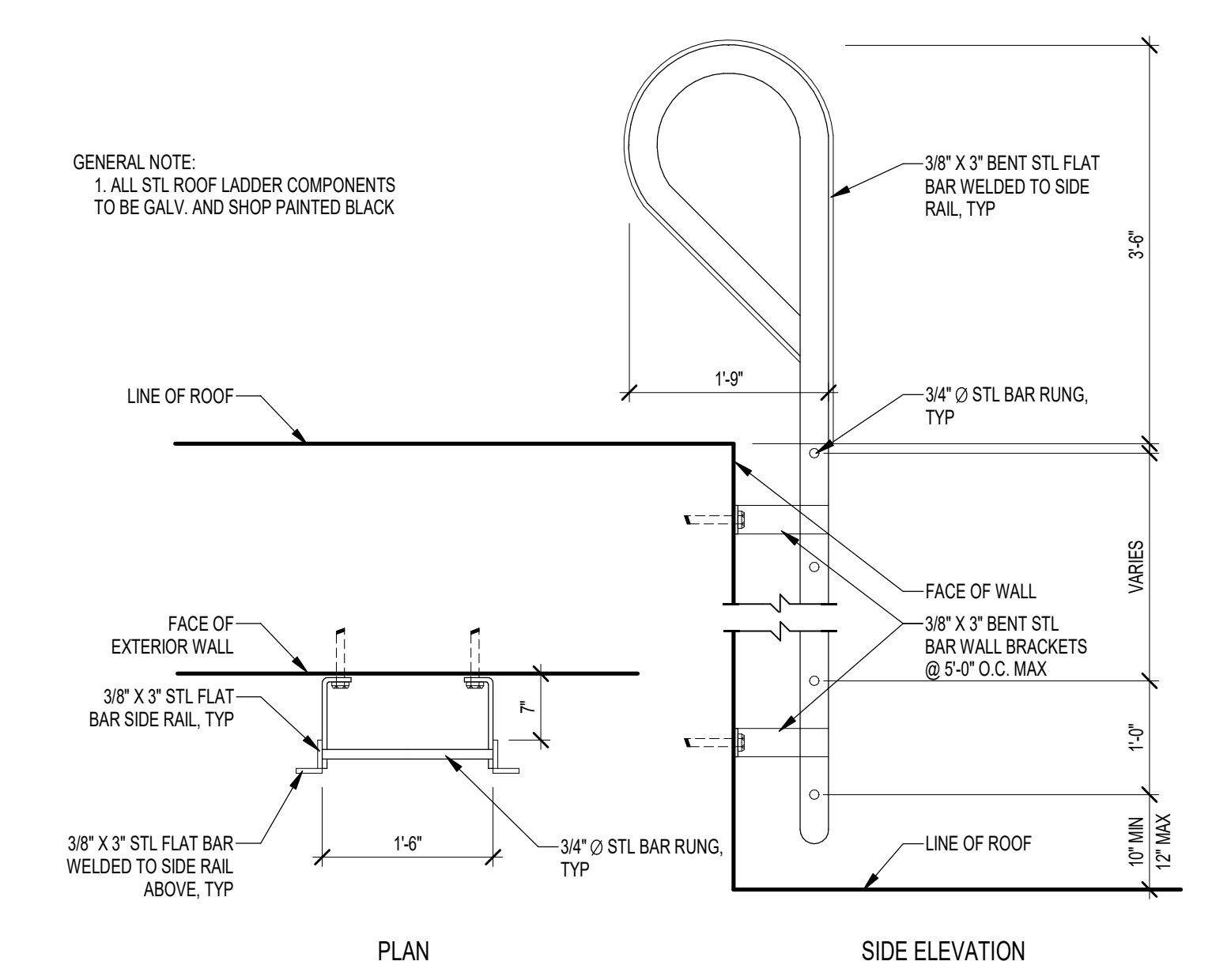
5 ROOF EQUIPMENT CURB DETAIL
1/12 = 1'-0"



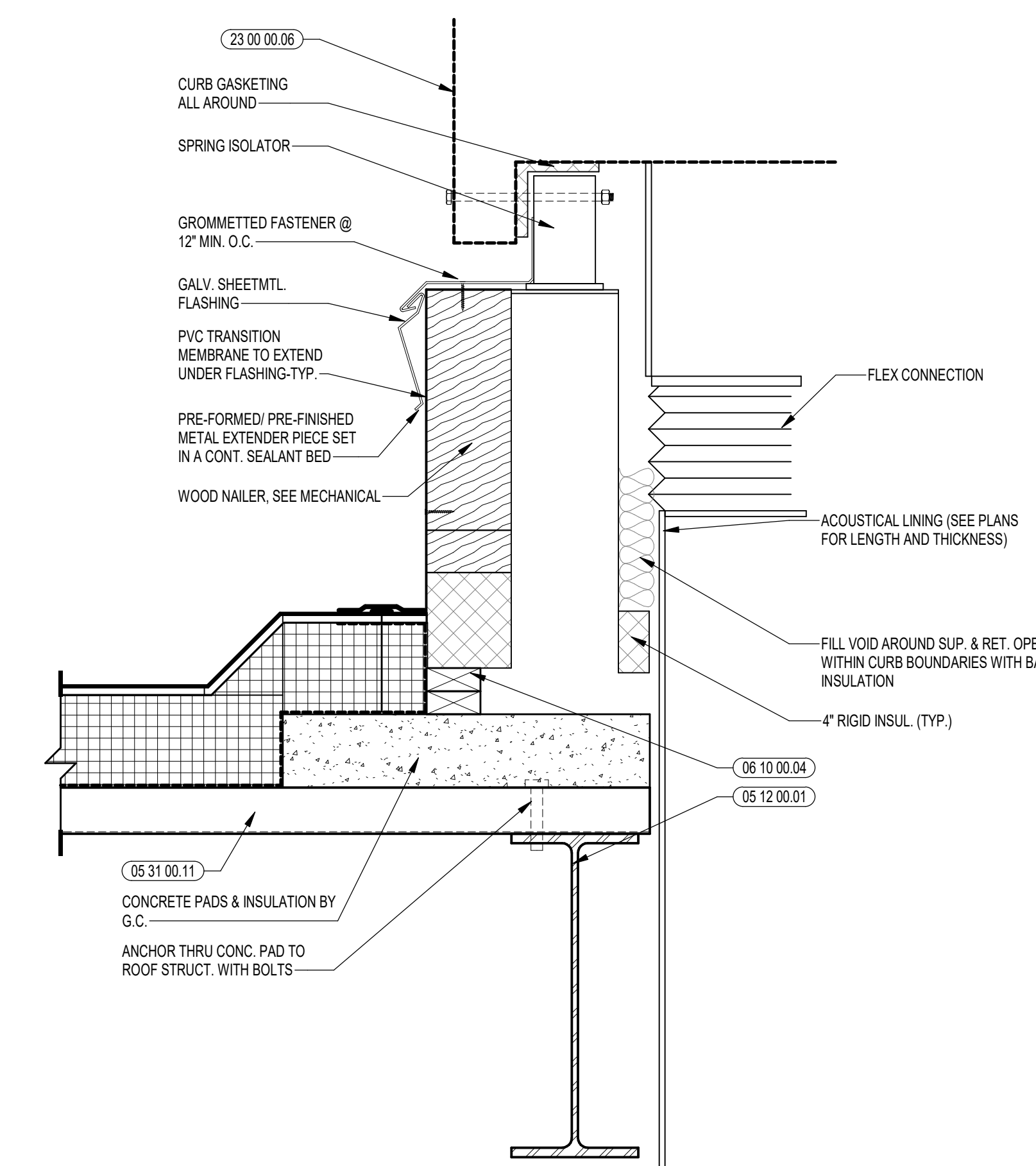
2 ROOF SCUTTLE DETAIL
1/12 = 1'-0"



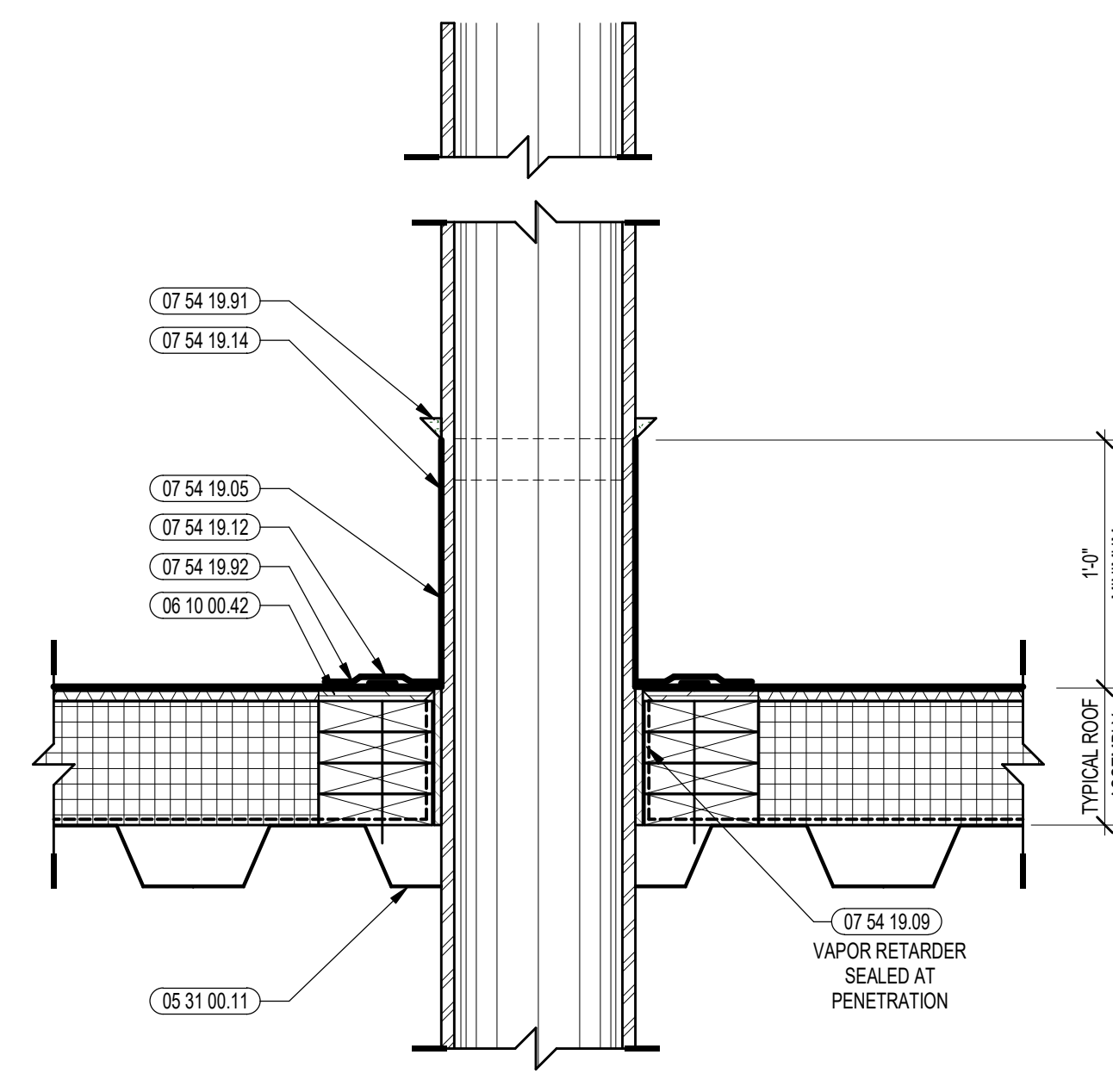
FRONT ELEVATION



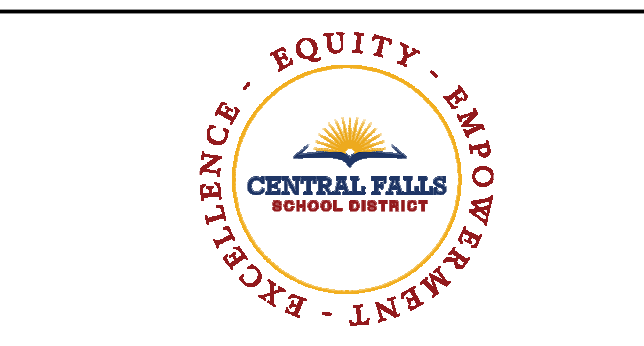
7 EXTERIOR ROOF LADDER DETAILS
3/8" = 1'-0"



4 SEISMIC ROOFTOP SPRING CURB DETAIL
1/12 = 1'-0"

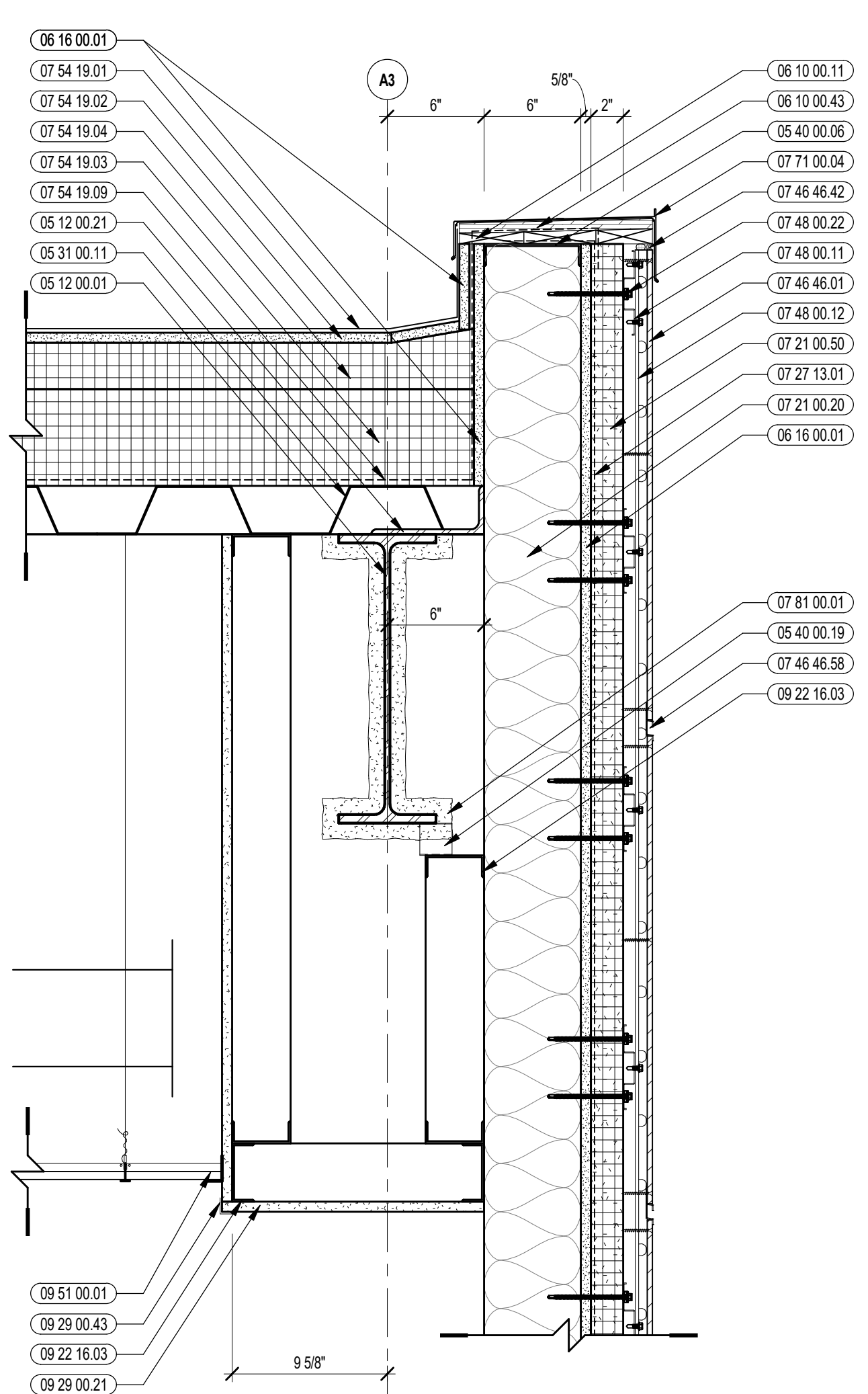


1 TYPICAL ROOF PENETRATION DETAIL
1/12 = 1'-0"

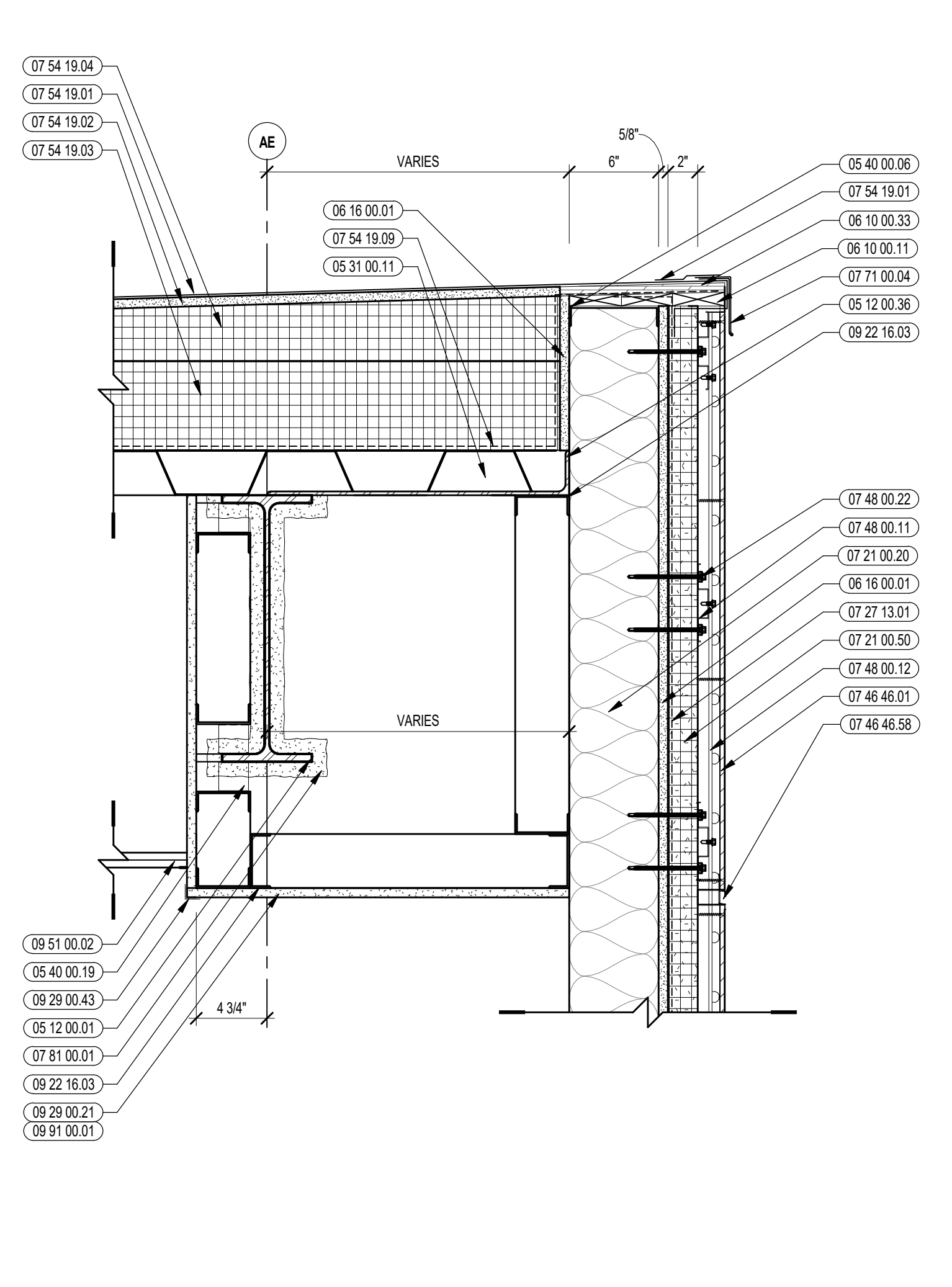


KEYNOTE LEGEND:

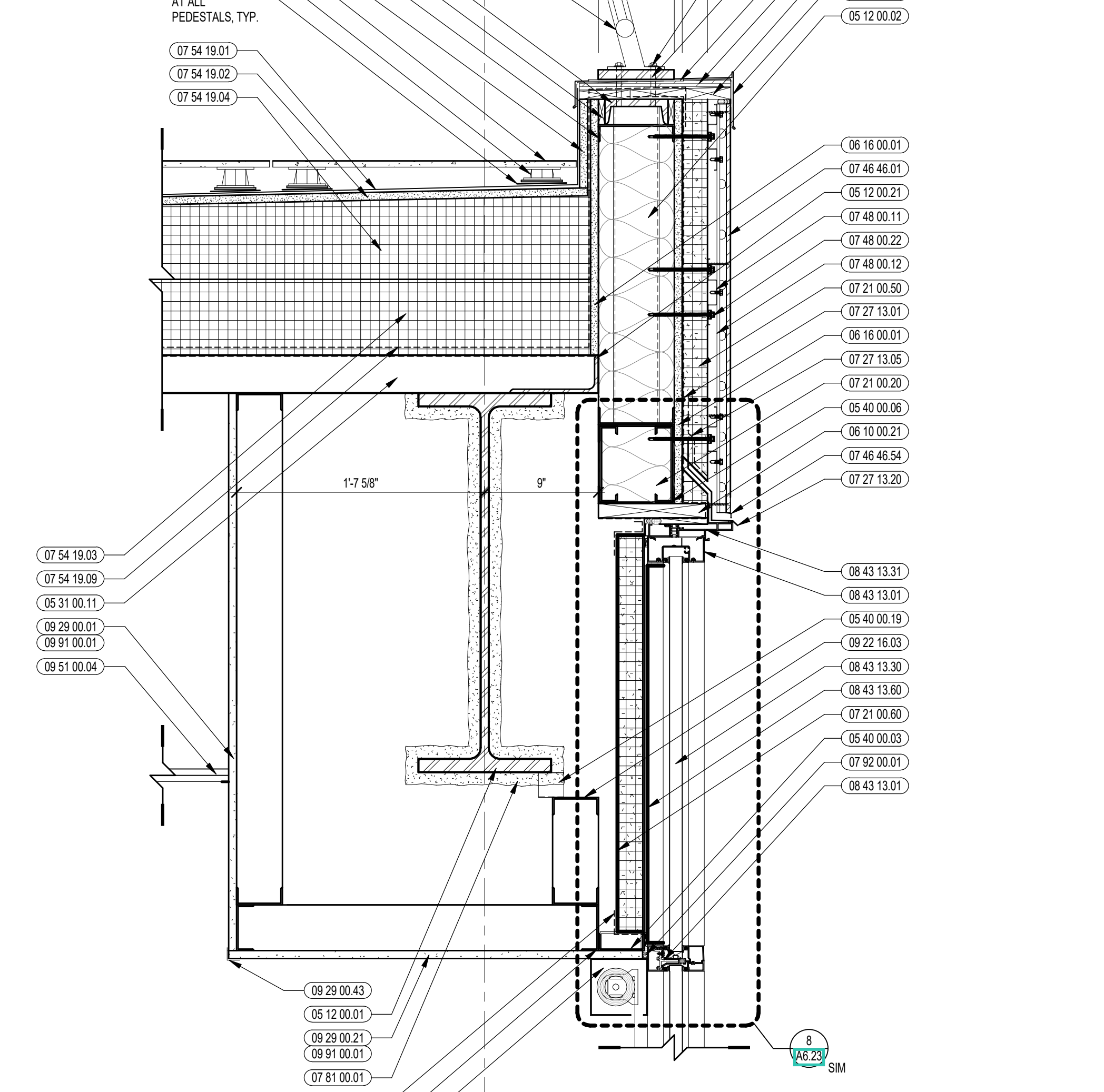
- 05 12 00.01 STEEL BEAM - SEE STRUCTURAL
- 05 12 00.02 STEEL COLUMN - SEE STRUCTURAL
- 05 12 00.16 STEEL CHANNEL - SEE STRUCTURAL
- 05 12 00.17 STEEL ANGLE - SEE STRUCTURAL
- 05 12 00.21 STEEL EDGE ANGLE - SEE STRUCTURAL
- 05 12 00.36 STEEL PLATE BENT - SEE STRUCTURAL
- 05 31 00.11 STEEL ROOF DECK - 3 INCH GALVANIZED - SEE STRUCTURAL
- 05 40 00.03 STEEL STUDS - 3/8 INCH - 16 INCHES O.C. MAX
- 05 40 00.06 STEEL STUDS - 8 INCH - 16 INCHES O.C. MAX
- 05 40 00.19 STEEL Z-CLIP - 16 GAGE MIN - 1 INCH MIN. DEPTH - 16 INCHES O.C. MAX
- 05 51 00.85 STEEL GUARDRAIL AT ROOF EDGE
- 06 10 00.11 WOOD BLOCKING - (2X) PRESSURE TREATED - SIZE AS NOTED OR DRAWN
- 06 10 00.21 WOOD BLOCKING - (2X) FIRE RETARDANT TREATED - SIZE AS NOTED OR DRAWN
- 06 10 00.33 PLYWOOD - 5/8 INCH
- 06 10 00.42 PLYWOOD PRESSURE TREATED - 5/8 INCH
- 06 16 00.01 GYPSUM EXTERIOR SHEATHING - 5/8 INCH
- 06 20 00.29 PVC TRIM - SIZE AS NOTED
- 07 21 00.20 GLASS FIBER BLANKET INSULATION - MATCH DEPTH OF STUD - UNFACED
- 07 21 00.50 MINERAL WOOL INSULATION - RIGID - EXTERIOR - 2 INCH
- 07 21 00.60 MINERAL WOOL INSULATION - FOIL-FACED
- 07 21 00.61 FOIL SCRM AND ROOF TAPE
- 07 27 13.01 AIR/VAPOR BARRIER MEMBRANE - SELF-ADHERING
- 07 27 13.05 AIR/VAPOR BARRIER TRANSITION MEMBRANE - SELF-ADHERING
- 07 27 13.06 FLASHING - STAINLESS STEEL
- 07 46 46.01 MINERAL FIBER CEMENT PANEL - REFERENCE ELEVATIONS FOR COLOR
- 07 46 46.42 SEALANT - TYPE AS REQUIRED
- 07 46 46.54 HORIZONTAL Z TRIM
- 07 46 46.57 J-MOLD TRIM
- 07 46 46.58 DOUBLE HORIZONTAL TRIM
- 07 48 00.11 HORIZONTAL GRT - REFER TO SHOP DRAWINGS FOR SIZE
- 07 48 00.12 VERTICAL PANEL RAIL - REFER TO SHOP DRAWINGS FOR SIZE
- 07 48 00.22 STAINLESS STEEL SELF-DRILLING SCREW WITH THERMAL ISOLATION
- 07 54 19.01 PVC SINGLE PLY MEMBRANE ROOFING
- 07 54 19.02 HIGH DENSITY POLYISO RECOVERY BOARD
- 07 54 19.03 POLYISO RIGID INSULATION
- 07 54 19.04 POLYISO TAPERED INSULATION
- 07 54 19.08 SHEET VAPOR RETARDER - TAPE SEAMS
- 07 54 19.80 WALKWAY PADS
- 07 71 00.04 FACTORY FABRICATED PARAPET WALL COPING - CUSTOM COLOR
- 07 71 00.05 FACTORY FABRICATED OVERFLOW ROOF SCUPPER - CUSTOM COLOR
- 07 72 00.81 ROOF PAVER - CONCRETE
- 07 72 00.82 ROOF PAVER - ADJUSTABLE PEDESTAL
- 07 81 00.01 CEMENTITIOUS FIREPROOFING
- 07 82 00.01 JOINT SEALANT - TYPE AS REQUIRED
- 08 43 13.01 ALUMINUM STOREFRONT FRAME
- 08 43 13.30 SPANDREL GLASS
- 08 43 13.31 SUB-FRAME / RECEPTOR
- 08 43 13.80 STEEL BACKPAN
- 08 44 13.01 ALUMINUM CURTAIN WALL FRAME
- 08 44 13.03 PREFINISHED ALUMINUM FLASHING
- 08 44 13.05 PERMETH SEALANT
- 08 44 13.20 SEALANT & BACKER ROD



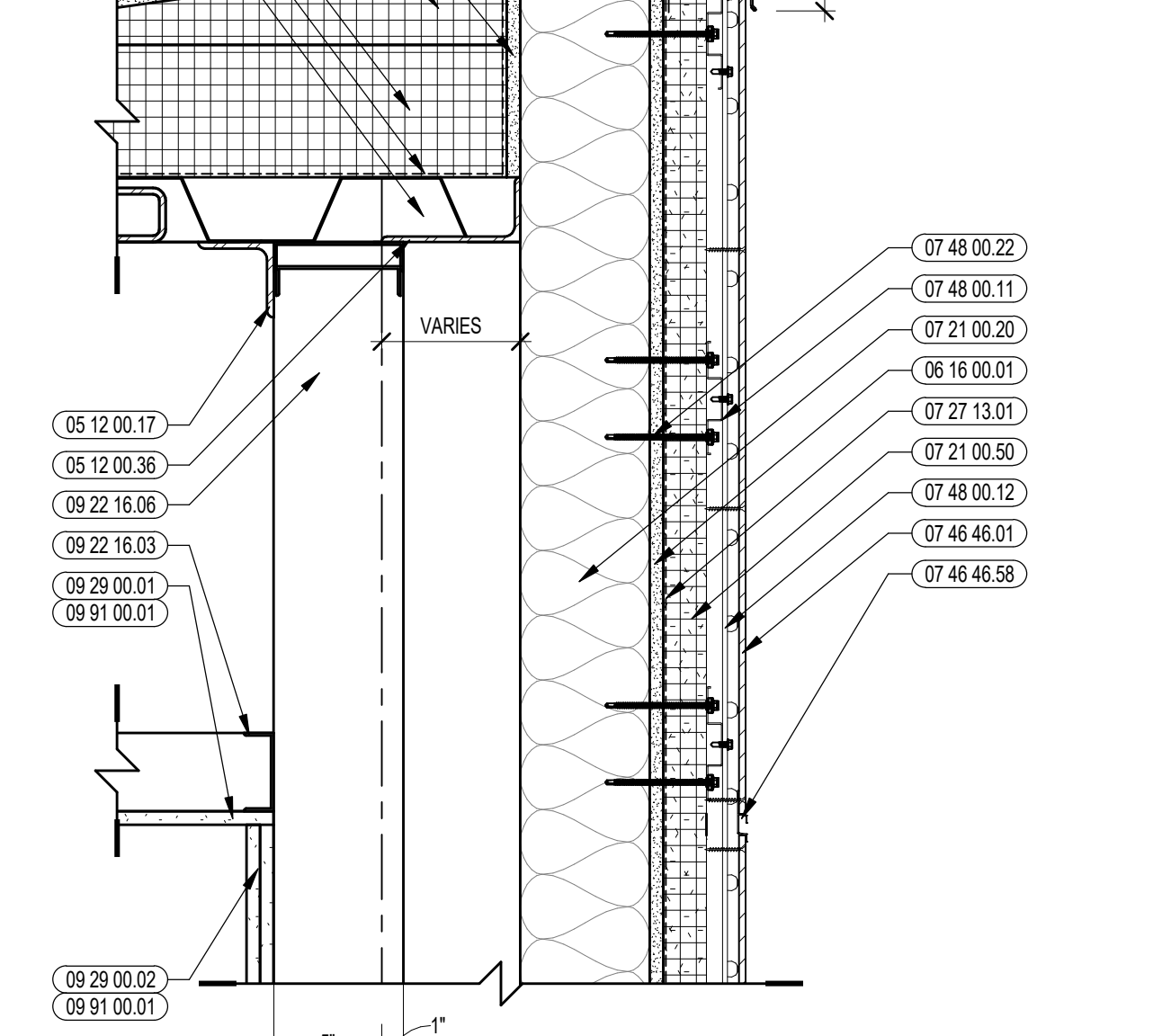
8 VERTICAL DETAIL
1/12" = 1'-0"



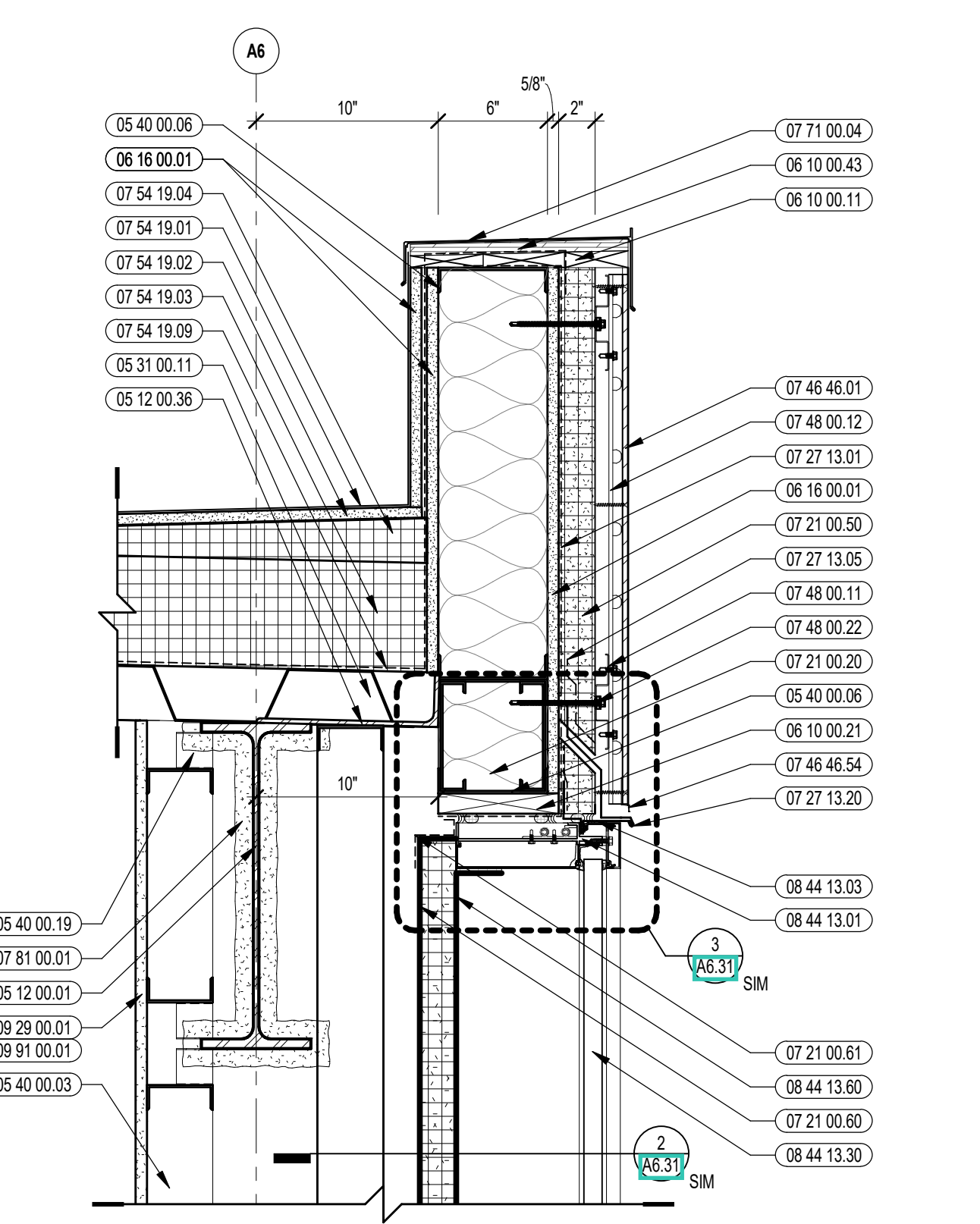
7 VERTICAL DETAIL
1/12" = 1'-0"



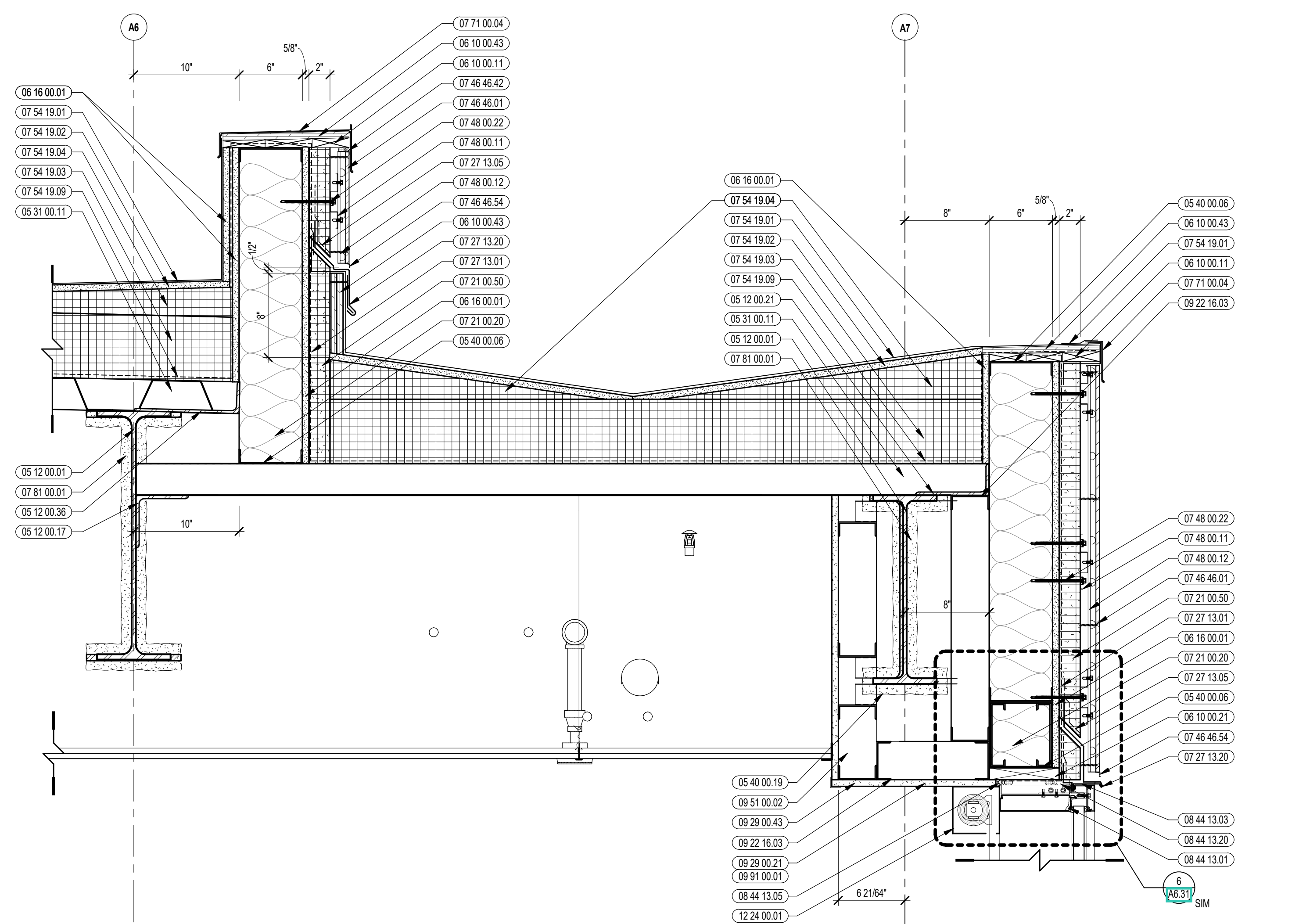
5 VERTICAL DETAIL
1/12" = 1'-0"



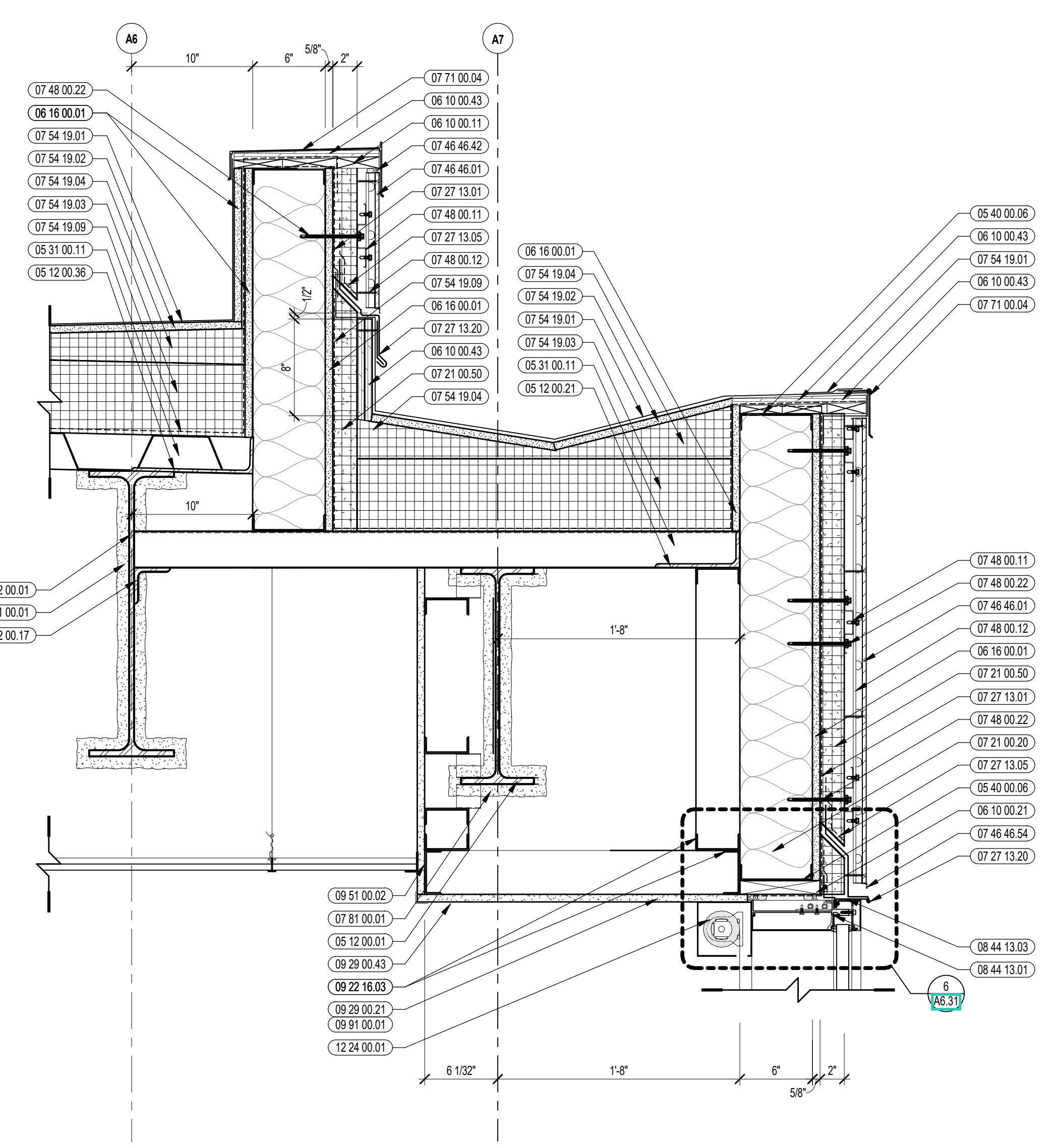
3 VERTICAL DETAIL
1/12" = 1'-0"



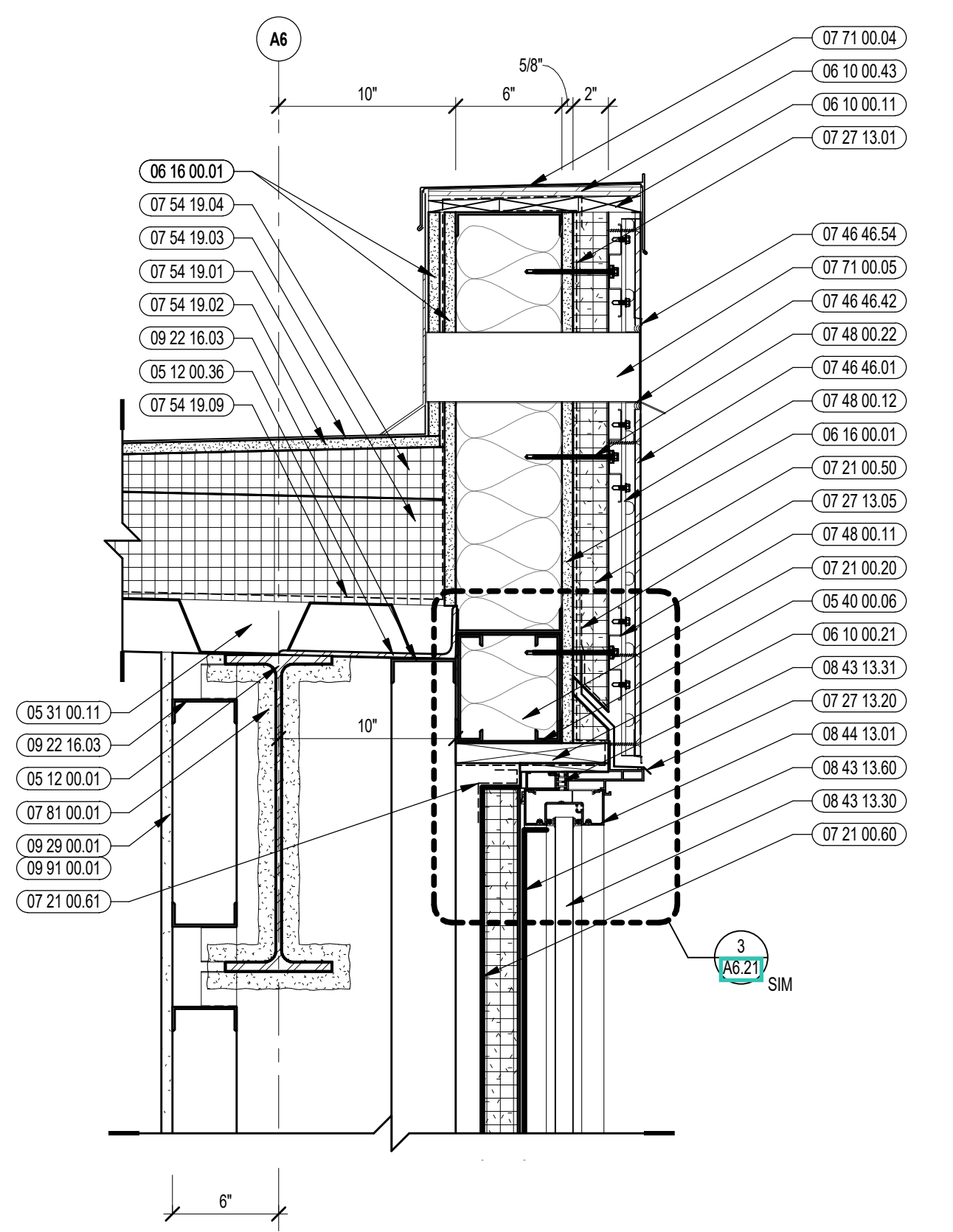
2 VERTICAL DETAIL
1/12" = 1'-0"



6 VERTICAL DETAIL
1/12" = 1'-0"

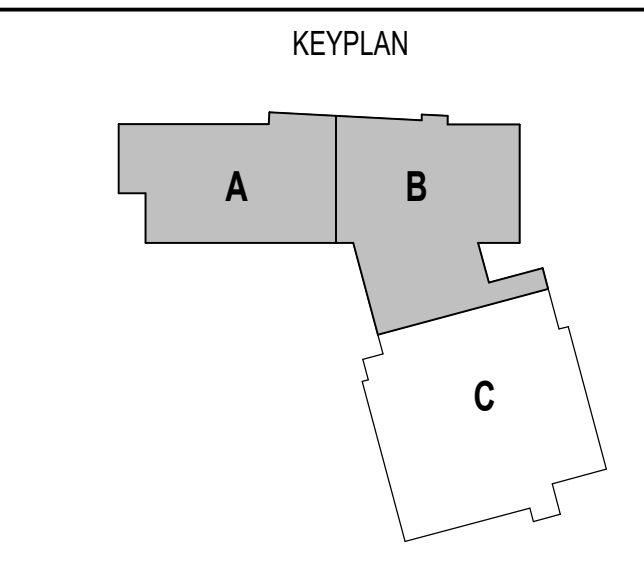
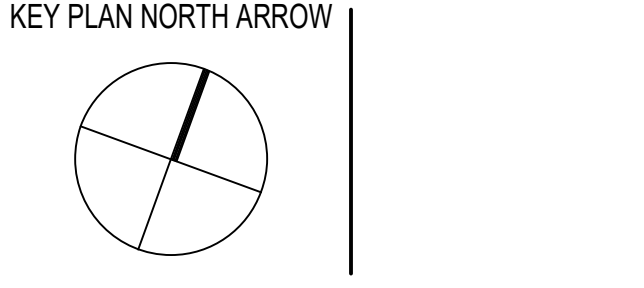


4 VERTICAL DETAIL
1/12" = 1'-0"



1 VERTICAL DETAIL
1/12" = 1'-0"

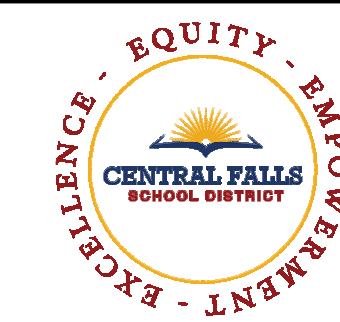
100% CONSTRUCTION DOCUMENTS



DRAWING NAME:
VERTICAL WALL DETAILS

DRAWN BY: BFC
REVIEWED BY: CHR/KK

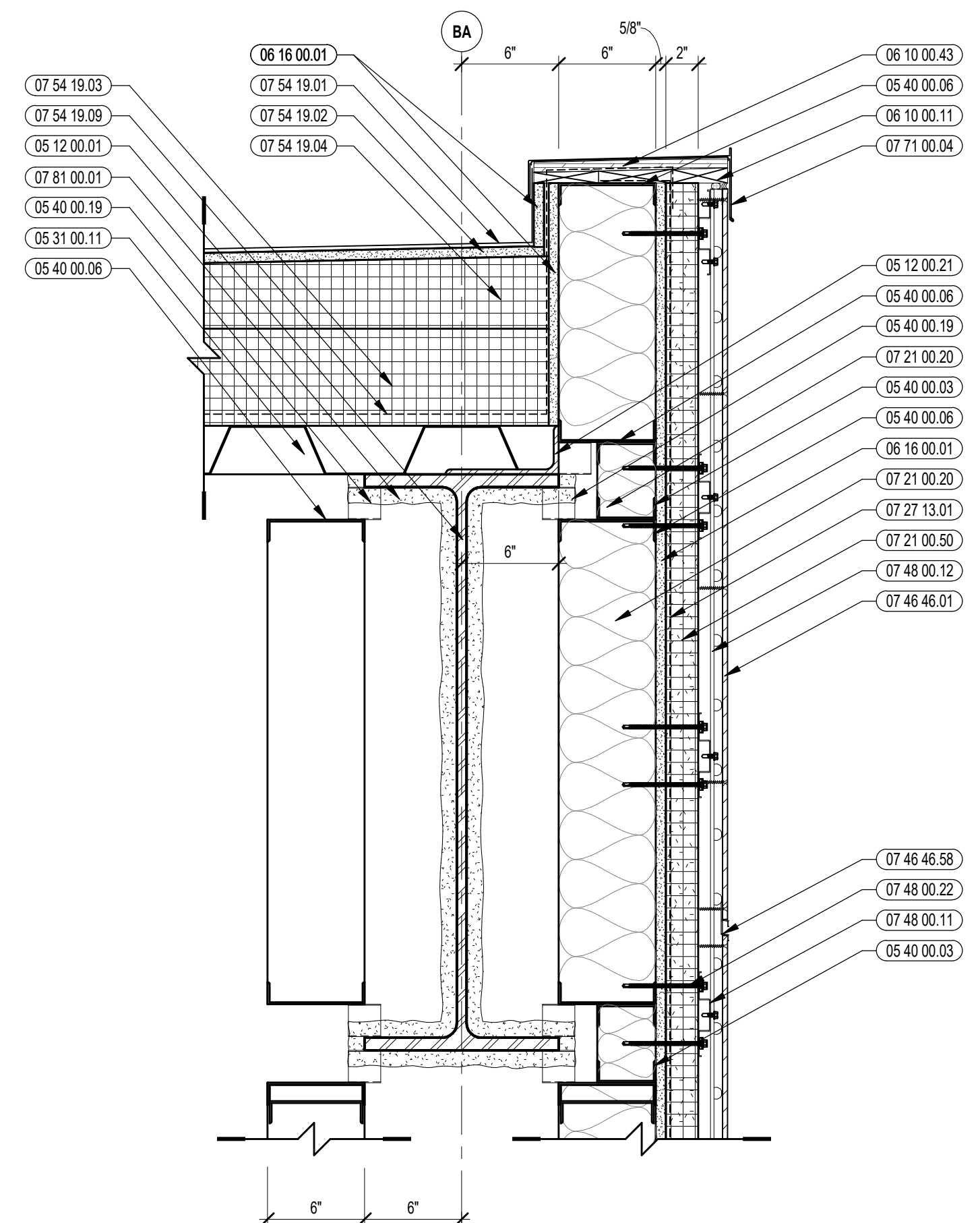
SCALE: AS INDICATED | DRAWING NUMBER:
JOB NO.: 2202.02 | **A5.31**
DATE: OCTOBER 13, 2023



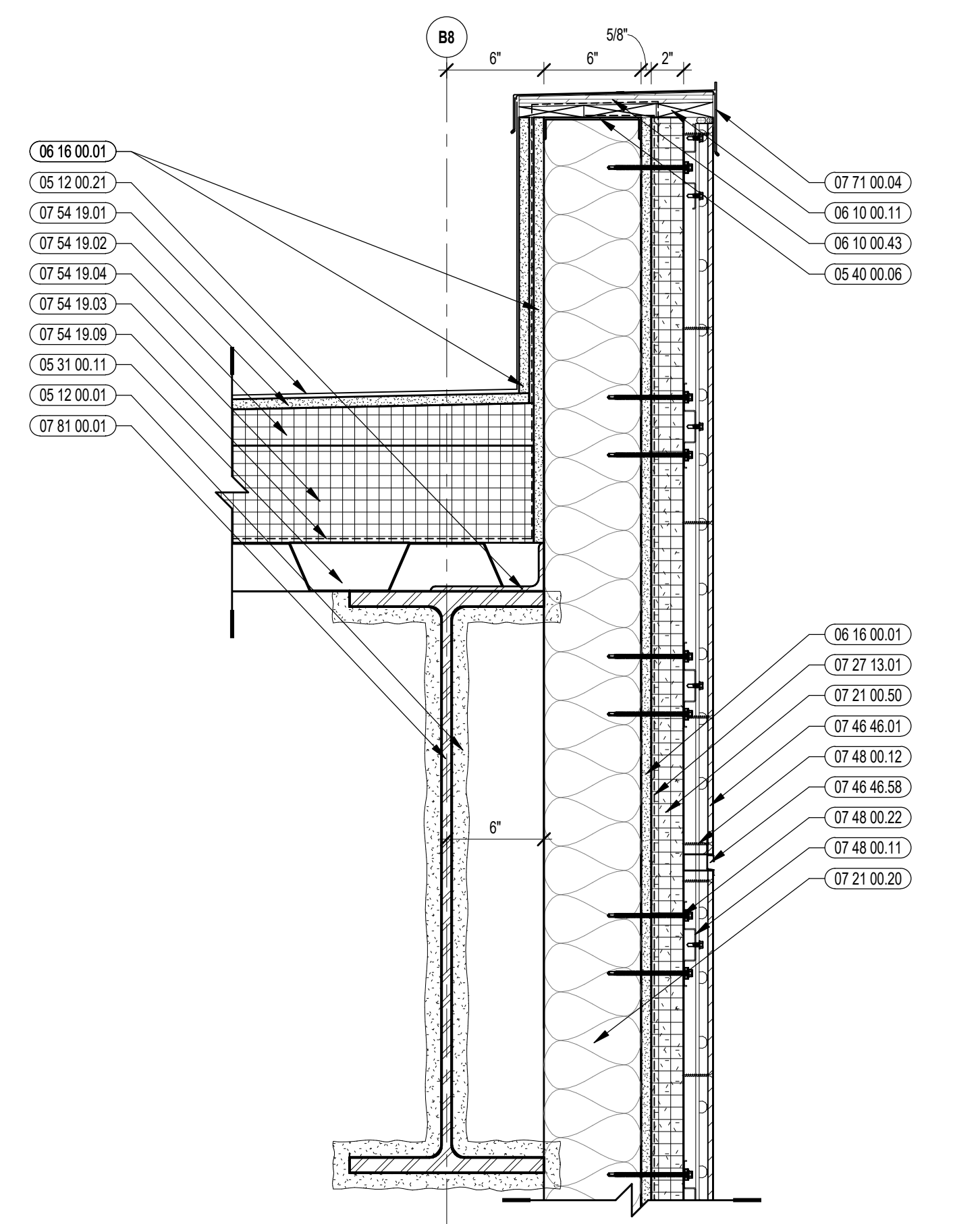
CENTRAL FALLS HIGH SCHOOL
10 HIGGINSON AVE, CENTRAL FALLS, RI

KEYNOTE LEGEND:

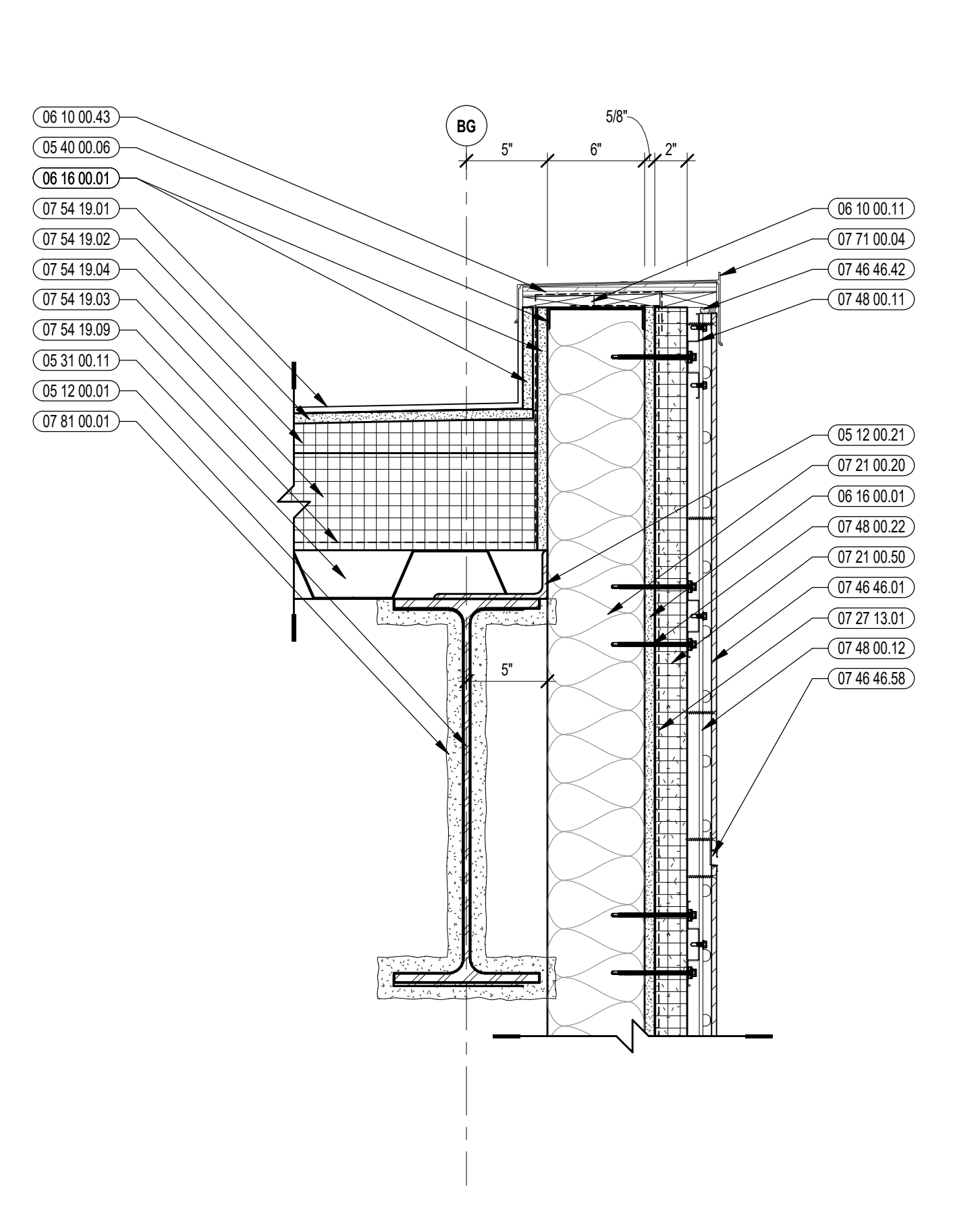
- 05 12 00.01 STEEL BEAM - SEE STRUCTURAL
- 05 12 00.21 STEEL EDGE ANGLE - SEE STRUCTURAL
- 05 12 00.36 STEEL PLATE BENT - SEE STRUCTURAL
- 05 31 00.11 STEEL ROOF DECK - 3 INCH GALVANIZED - SEE STRUCTURAL
- 05 40 00.03 STEEL STUDS - 3.58 INCH - 16 INCHES O.C. MAX
- 05 40 00.06 STEEL STUDS - 6 INCH - 16 INCHES O.C. MAX
- 05 40 00.19 STEEL Z-CLIP - 16 GAGE MIN - 1 INCH MIN. DEPTH - 16 INCHES O.C. MAX
- 06 10 00.11 WOOD BLOCKING - (2X) PRESSURE TREATED - SIZE AS NOTED OR DRAWN
- 06 10 00.43 PLYWOOD PRESSURE TREATED - 5/8 INCH
- 06 16 00.01 GYPSUM EXTERIOR SHEATHING - 5/8 INCH
- 07 21 00.20 GLASS FIBER BLANKET INSULATION - MATCH DEPTH OF STUD - UNFACED
- 07 21 00.50 MINERAL WOOL INSULATION - RIGID - EXTERIOR - 2 INCH
- 07 27 13.01 AIR/VAPOR BARRIER MEMBRANE - SELF-ADHERING
- 07 27 13.05 AIR/VAPOR BARRIER TRANSITION MEMBRANE - SELF-ADHERING
- 07 27 13.20 FLASHING - STAINLESS STEEL
- 07 46 46.01 MINERAL FIBER CONCRETE PANEL - REFERENCE ELEVATIONS FOR COLOR
- 07 46 46.42 SEALANT - TYPE AS REQUIRED
- 07 46 46.58 DOUBLE HORIZONTAL TRIM
- 07 48 00.11 HORIZONTAL GIRT - REFER TO SHOP DRAWINGS FOR SIZE
- 07 48 00.12 VERTICAL PANEL RAIL - REFER TO SHOP DRAWINGS FOR SIZE
- 07 48 00.22 STAINLESS STEEL SELF-DRILLING SCREW WITH THERMAL ISOLATION
- 07 54 19.01 PVC SINGLE PLY MEMBRANE ROOFING
- 07 54 19.02 HIGH DENSITY POLYISO RECOVERY BOARD
- 07 54 19.03 POLYISO RIGID INSULATION
- 07 54 19.04 POLYISO TAPERED INSULATION
- 07 54 19.09 SHEET VAPOR RETARDER - TAPE SEAMS
- 07 71 00.04 FACTORY FABRICATED PARAPET WALL COILING - CUSTOM COLOR
- 07 81 00.01 CEMENTITIOUS FIREPROOFING
- 09 22 16.03 METAL STUD 3.58 INCH - 16 INCHES O.C. MAX
- 09 29 00.01 5/8 INCH GYPSUM BOARD - LEVEL 4 FINISH - 1 LAYER
- 09 91 00.01 PAINT - SEE SCHEDULE



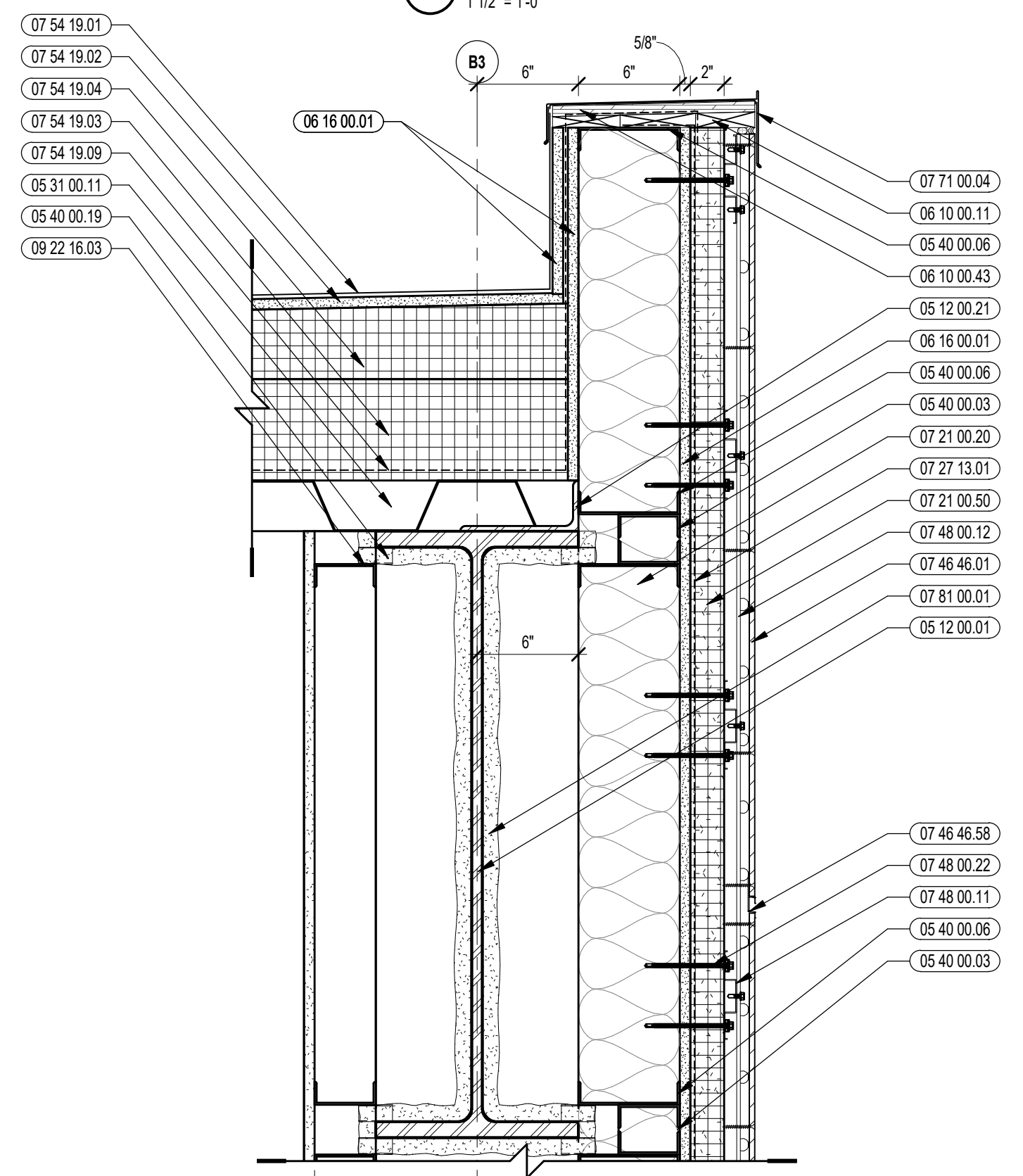
9 VERTICAL DETAIL
1/12" = 1'-0"



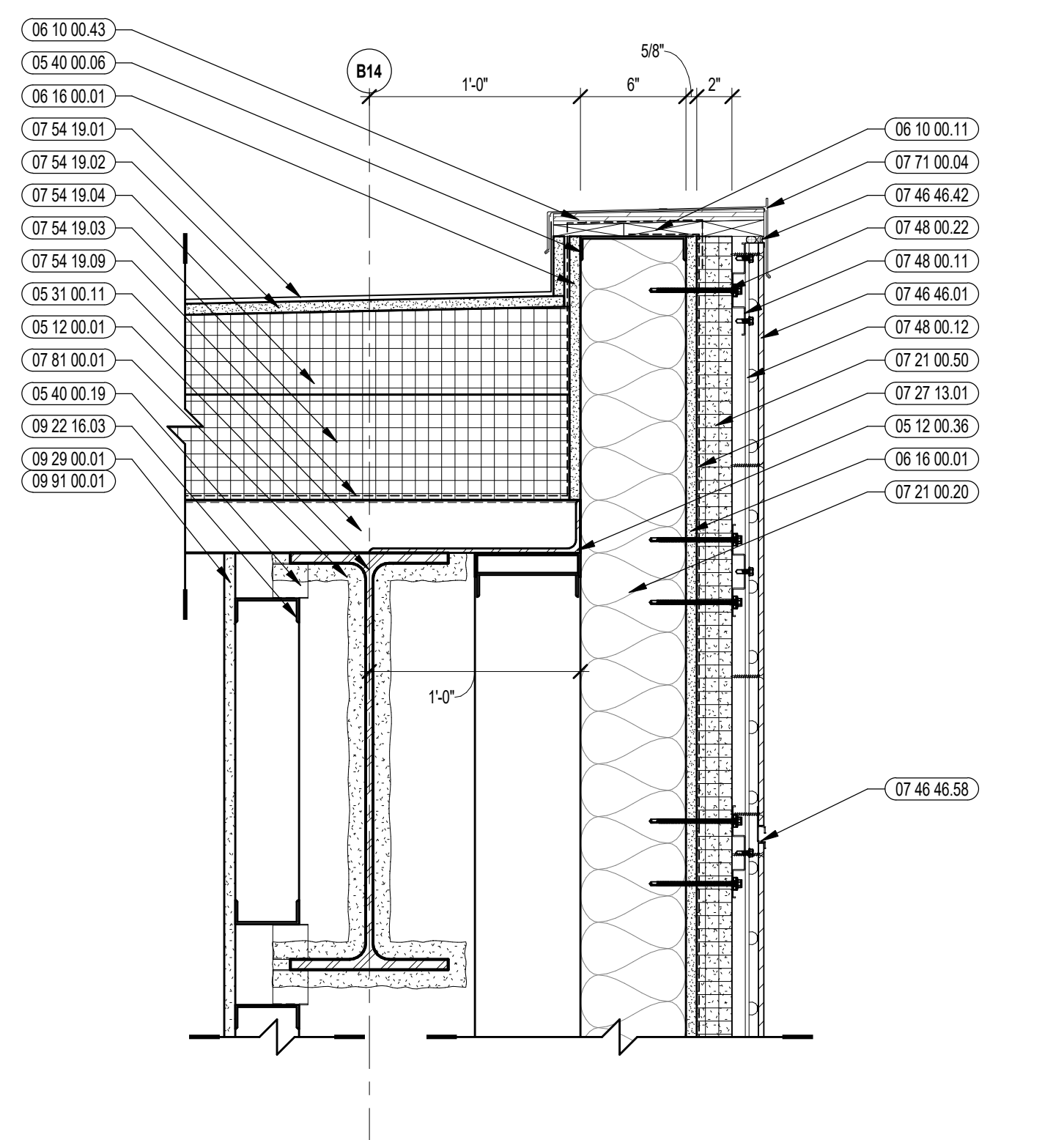
6 VERTICAL DETAIL
1/12" = 1'-0"



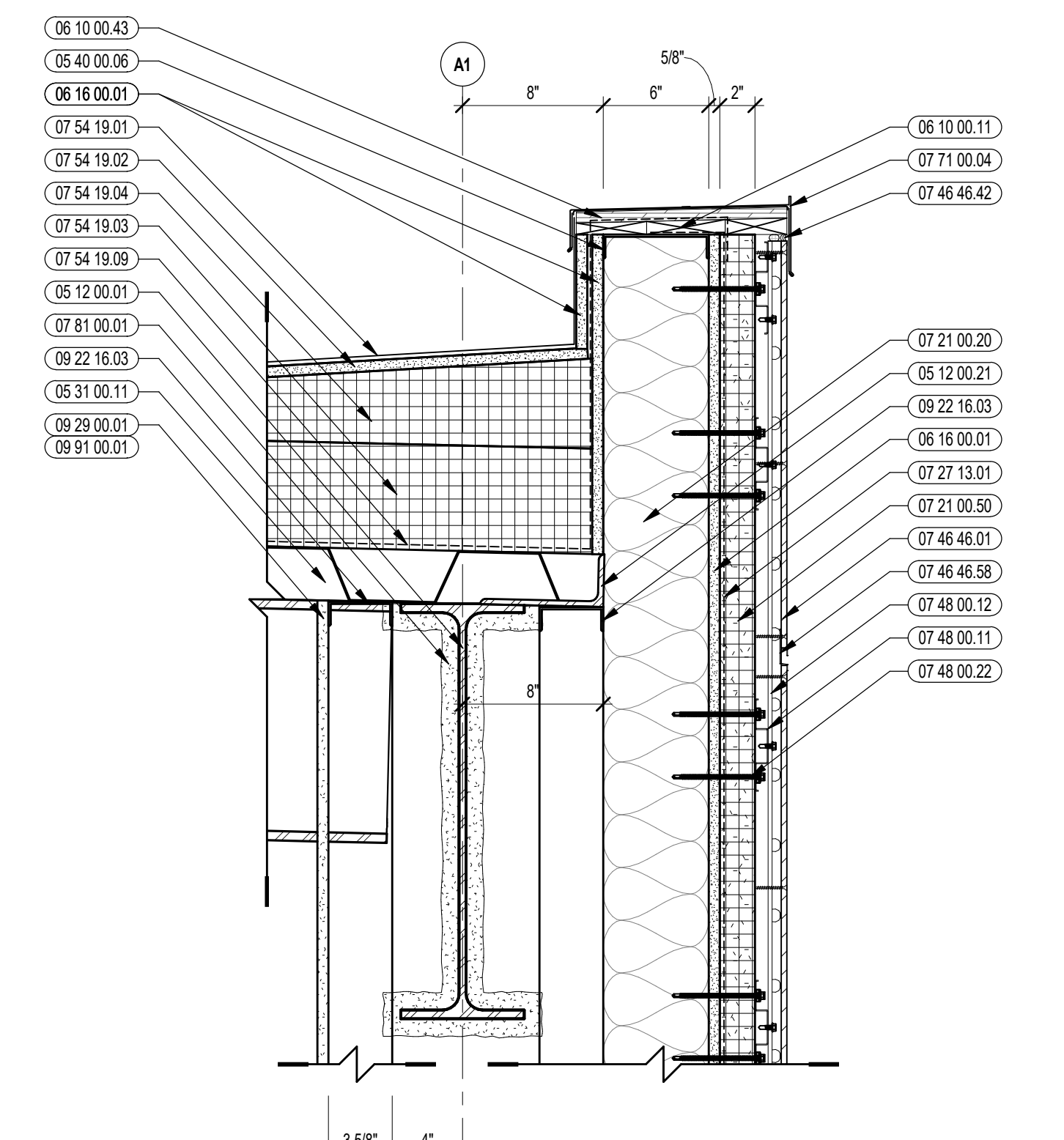
3 VERTICAL DETAIL
1/12" = 1'-0"



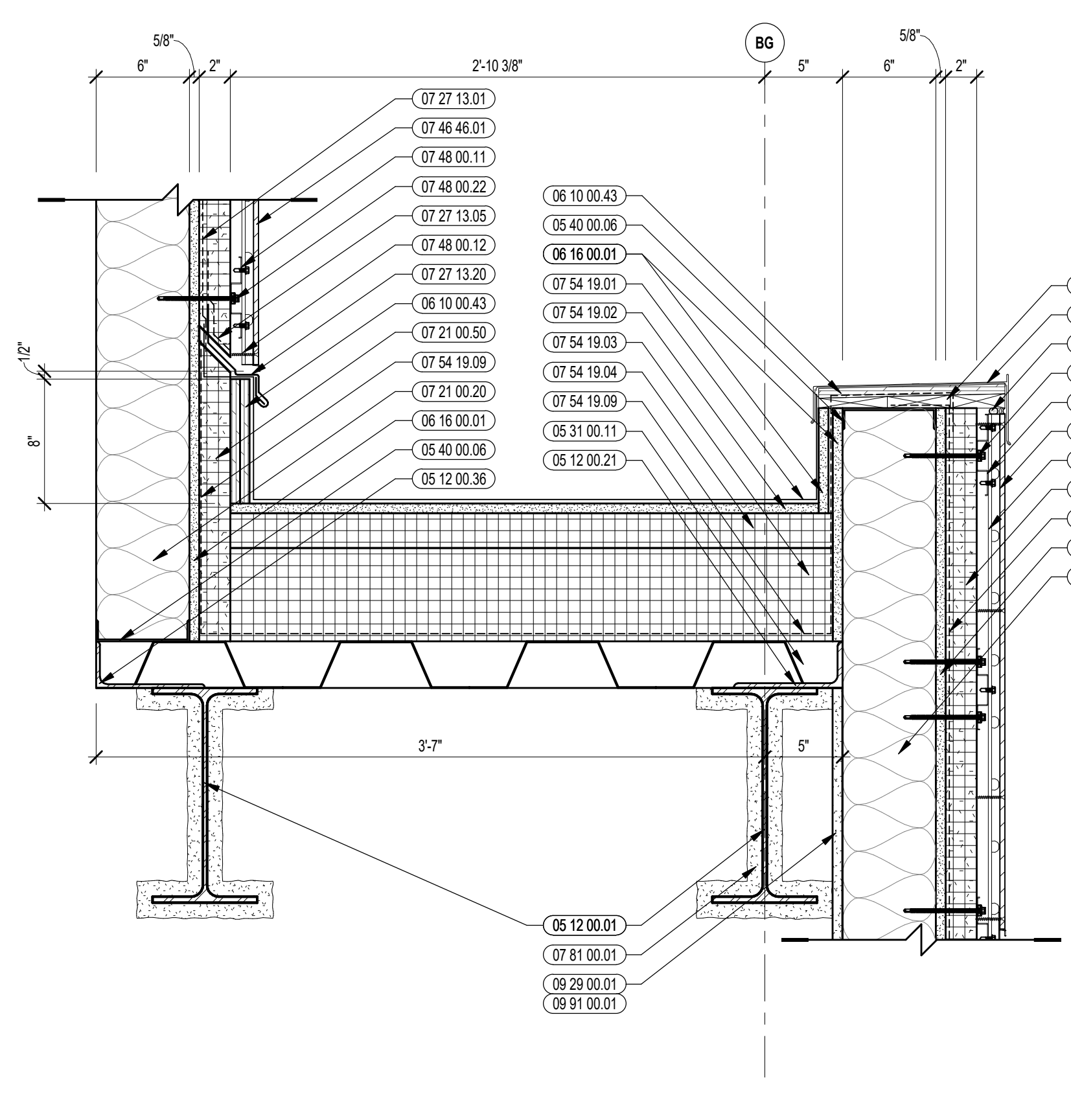
8 VERTICAL DETAIL
1/12" = 1'-0"



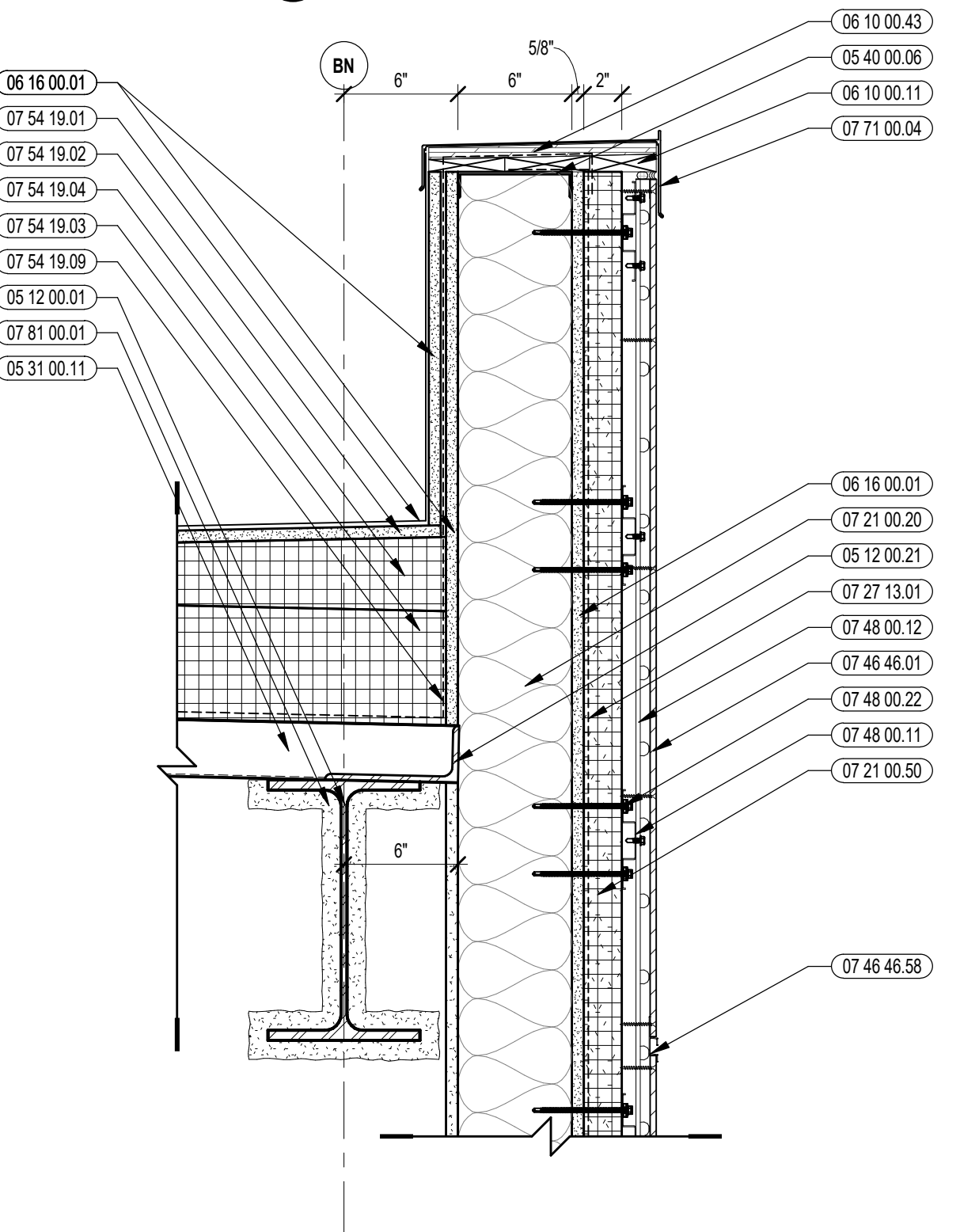
5 VERTICAL DETAIL
1/12" = 1'-0"



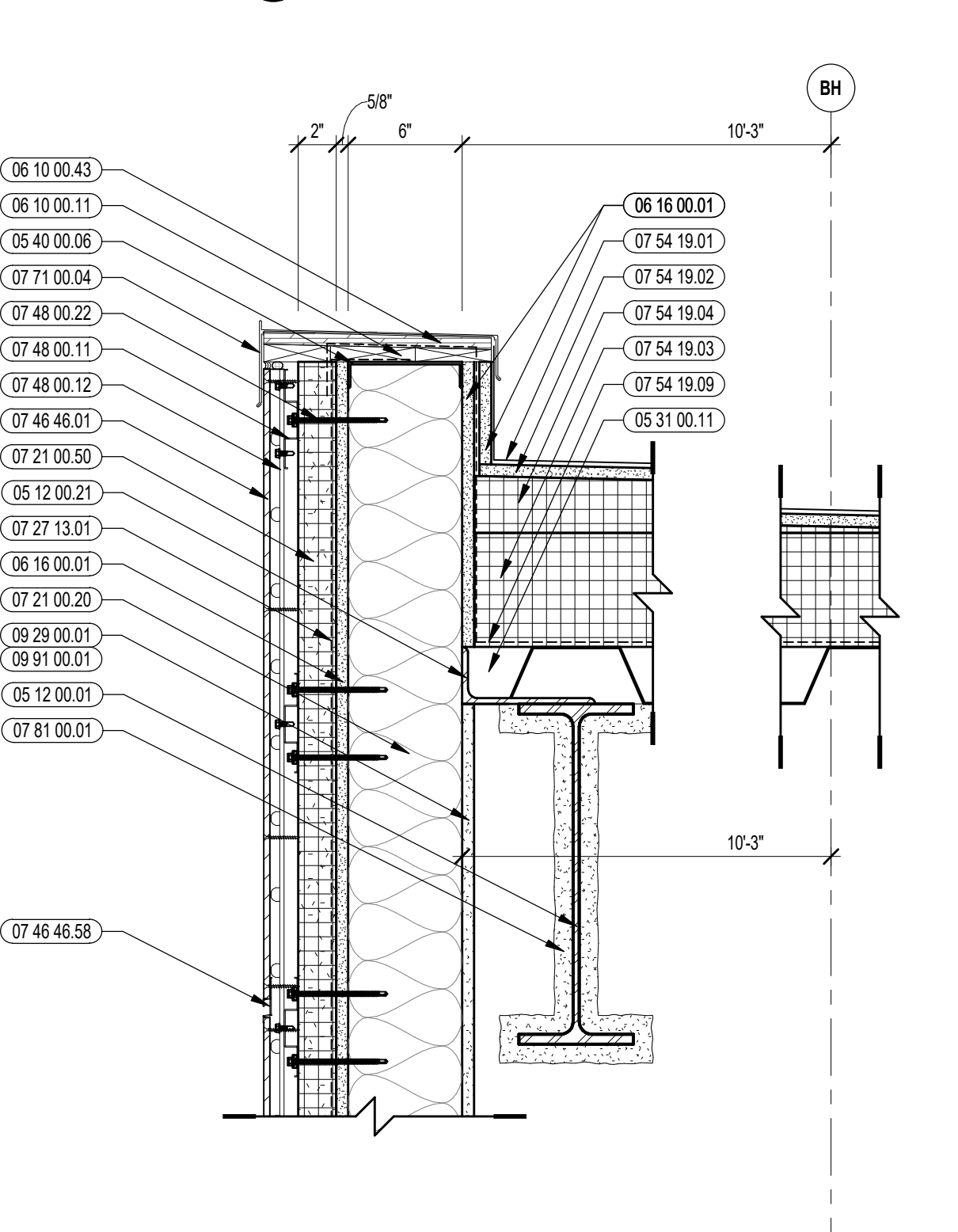
2 VERTICAL DETAIL
1/12" = 1'-0"



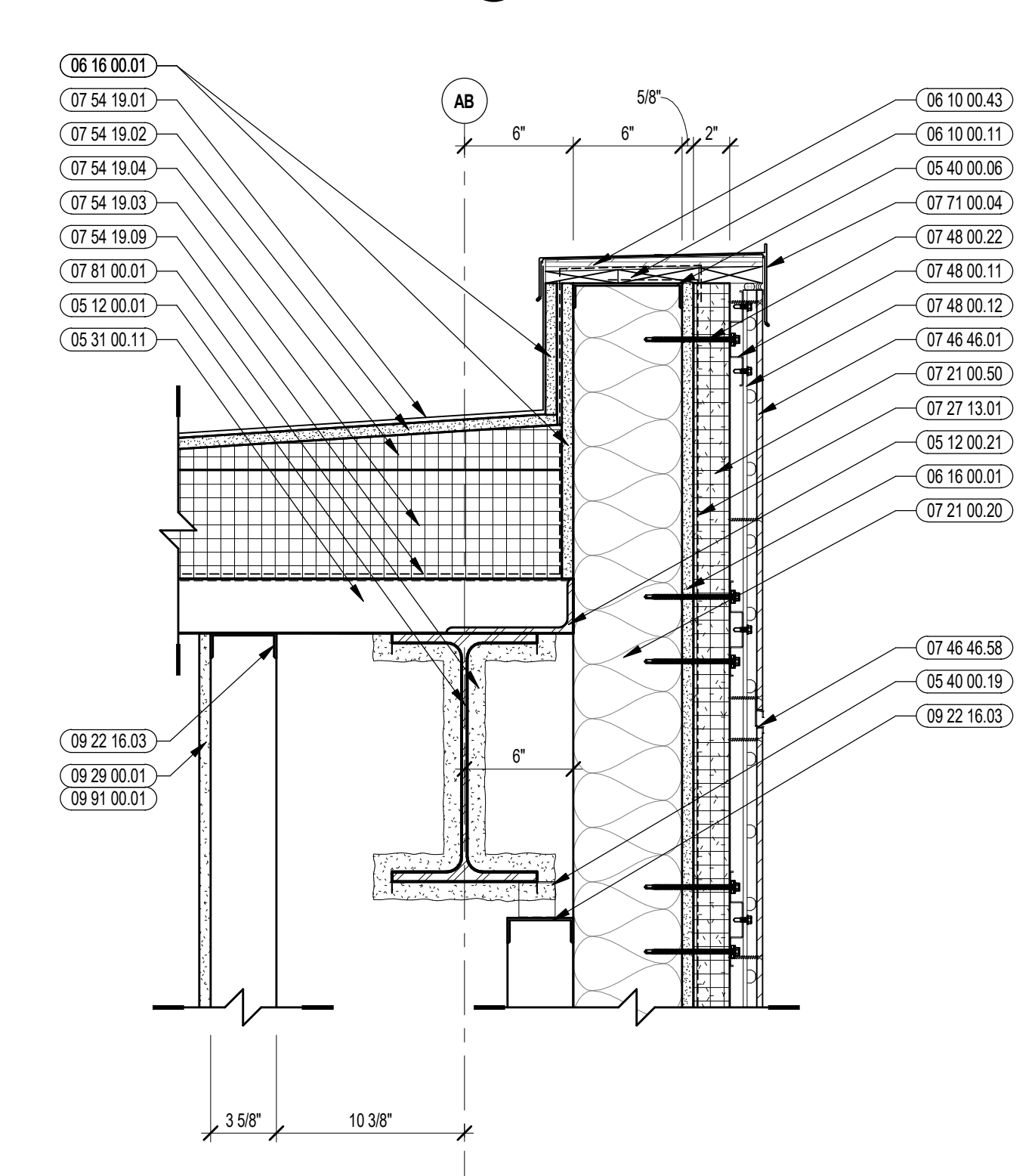
10 VERTICAL DETAIL
1/12" = 1'-0"



7 VERTICAL DETAIL
1/12" = 1'-0"



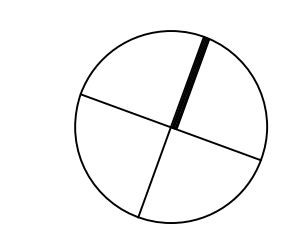
4 VERTICAL DETAIL
1/12" = 1'-0"



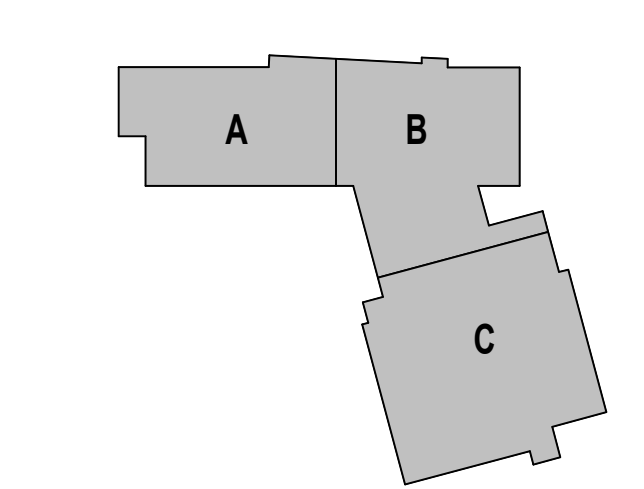
1 VERTICAL DETAIL
1/12" = 1'-0"

100% CONSTRUCTION DOCUMENTS

KEY PLAN NORTH ARROW



KEYPLAN



DRAWING NAME:

VERTICAL ROOF DETAILS

DRAWN BY: BFC

REVIEWED BY: CHR/KK

SCALE: AS INDICATED | DRAWING NUMBER:

JOB NO.: 2202.02

DATE: OCTOBER 13, 2023

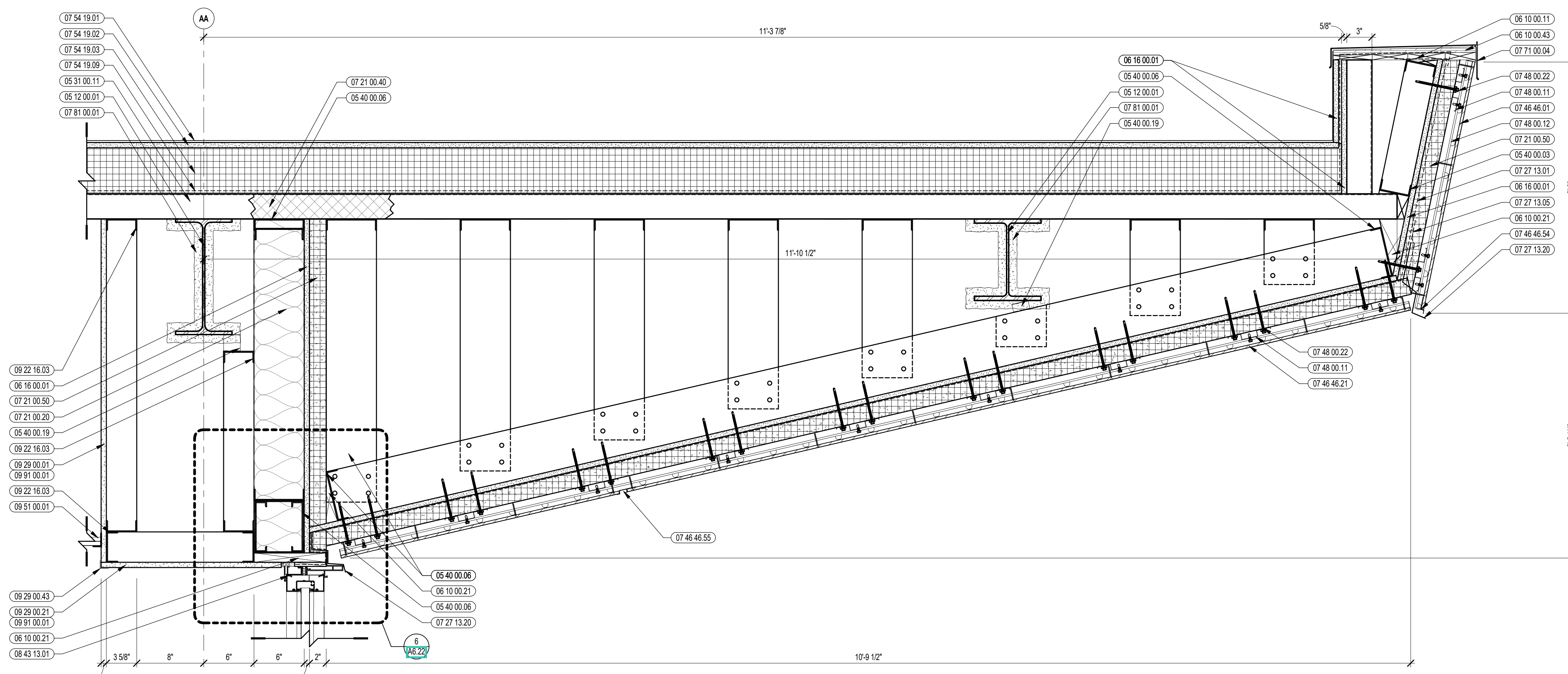
A5.32



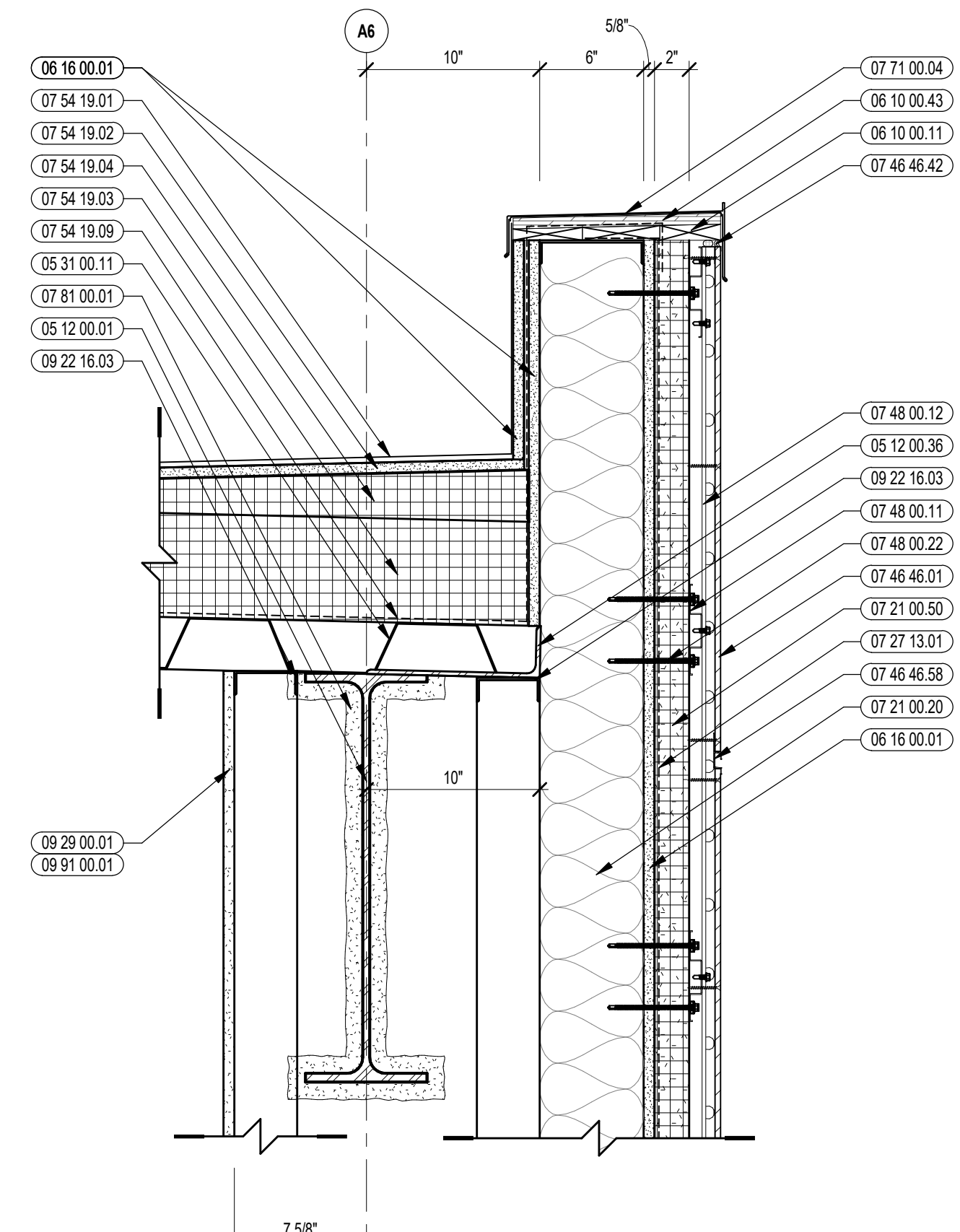
CENTRAL FALLS HIGH SCHOOL
10 HIGGINSON AVE, CENTRAL FALLS, RI

KEYNOTE LEGEND:

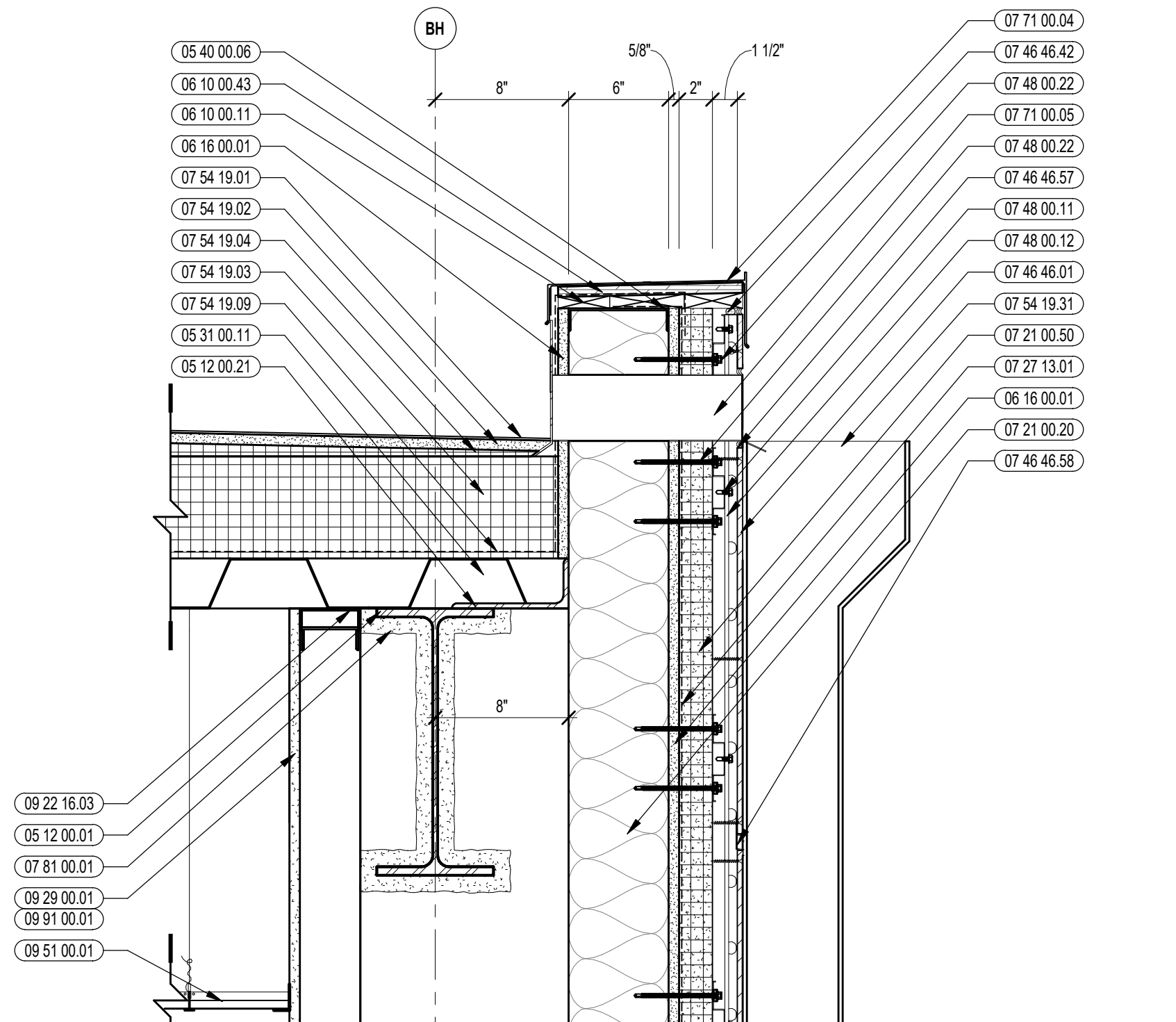
- 05 12 00.01 STEEL BEAM - SEE STRUCTURAL
- 05 12 00.21 STEEL EDGE ANGLE - SEE STRUCTURAL
- 05 12 00.36 STEEL PLATE BENT - SEE STRUCTURAL
- 05 31 00.11 STEEL ROOF DECK - 3 INCH GALVANIZED - SEE STRUCTURAL
- 05 40 00.03 STEEL STUDS - 3/8 INCH - 16 INCHES O.C. MAX
- 05 40 00.06 STEEL STUDS - 6 INCH - 16 INCHES O.C. MAX
- 05 40 00.19 STEEL Z-CLIP - 16 GAGE MIN. - 1 INCH MIN. DEPTH - 16 INCHES O.C. MAX
- 05 51 00.07 STEEL TUBE STRINGER
- 06 10 00.11 WOOD BLOCKING - (2X) PRESSURE TREATED - SIZE AS NOTED OR DRAWN
- 06 10 00.21 WOOD BLOCKING - (2X) FIRE RETARDANT TREATED - SIZE AS NOTED OR DRAWN
- 06 10 00.43 PLYWOOD PRESSURE TREATED - 5/8 INCH
- 06 16 00.01 GYPSUM EXTERIOR SHEATHING - 5/8 INCH
- 07 21 00.20 GLASS FIBER BLANKET INSULATION - MATCH DEPTH OF STUD - UNFACED
- 07 21 00.40 FOAMED-IN PLACE INSULATION / AIR BARRIER
- 07 21 00.50 MINERAL WOOL INSULATION - RIGID - EXTERIOR - 2 INCH
- 07 27 13.01 AIR/VAPOR BARRIER MEMBRANE - SELF-ADHERING
- 07 27 13.05 AIR/VAPOR BARRIER TRANSITION MEMBRANE - SELF-ADHERING
- 07 27 13.05 FLASHING - STAINLESS STEEL
- 07 46 40.01 MINERAL FIBER CEMENT PANEL - REFERENCE ELEVATION FOR COLOR
- 07 46 46.21 MINERAL FIBER CEMENT SOFFIT - COLOR 2
- 07 46 46.42 SEALANT - TYPE AS REQUIRED
- 07 46 46.54 HORIZONTAL 2 TRIM
- 07 46 46.56 BEAD REVEAL TRIM
- 07 46 46.57 J MOLD TRIM
- 07 46 46.58 DOUBLE HORIZONTAL TRIM
- 07 48 00.11 HORIZONTAL GRIT - REFER TO SHOP DRAWINGS FOR SIZE
- 07 48 00.12 VERTICAL PANEL RAIL - REFER TO SHOP DRAWINGS FOR SIZE
- 07 48 00.22 STAINLESS STEEL SELF-DRILLING SCREW WITH THERMAL SCALATION
- 07 54 19.01 PVC SINGLE PLY MEMBRANE ROOFING
- 07 54 19.02 HIGH DENSITY POLYISO RECOVERY BOARD
- 07 54 19.03 POLYISO RIGID INSULATION
- 07 54 19.04 POLYISO TAPERED INSULATION
- 07 54 19.06 SHEET VAPOR RETARDER - TAPC SEAMS
- 07 54 19.31 DOWNSPOUT
- 07 54 19.32 SPLASHBLOCK
- 07 71 00.04 FACTORY FABRICATED PARAPET WALL COPING - CUSTOM COLOR
- 07 71 00.05 FACTORY FABRICATED OVERFLOW ROOF SCUPPER - CUSTOM COLOR
- 07 81 00.01 CEMENTITIOUS FIREPROOFING
- 08 43 13.01 ALUMINUM STOREFRONT FRAME
- 09 22 16.03 METAL STUD 3/8 INCH - 16 INCHES O.C. MAX
- 09 29 00.01 5/8 INCH GYPSUM BOARD - LEVEL 4 FINISH - 1 LAYER
- 09 29 00.04 5/8 INCH GYPSUM BOARD - LEVEL 4 FINISH - 2 LAYERS EACH SIDE
- 09 29 00.21 5/8 INCH GYPSUM BOARD - LEVEL 4 FINISH - SAG-RESISTANT
- 09 29 00.43 CORNER BEAD
- 09 91 00.01 ACT TYPE 1 - REFERENCE REFLECTED CEILING PLANS FOR GRID PATTERN
- 09 91 00.01 PAINT - SEE SCHEDULE



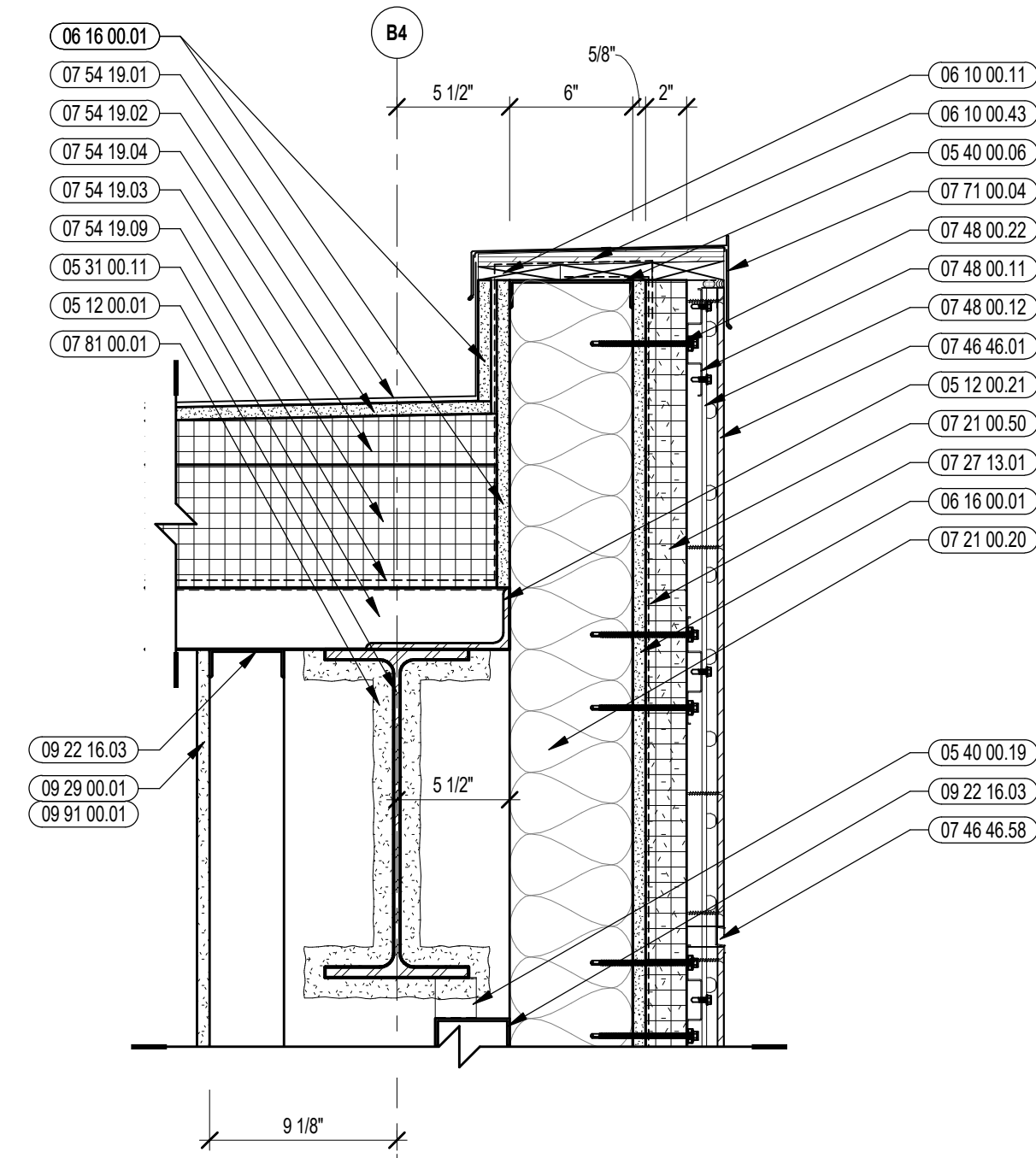
3 VERTICAL DETAIL
1 1/2" = 1'-0"



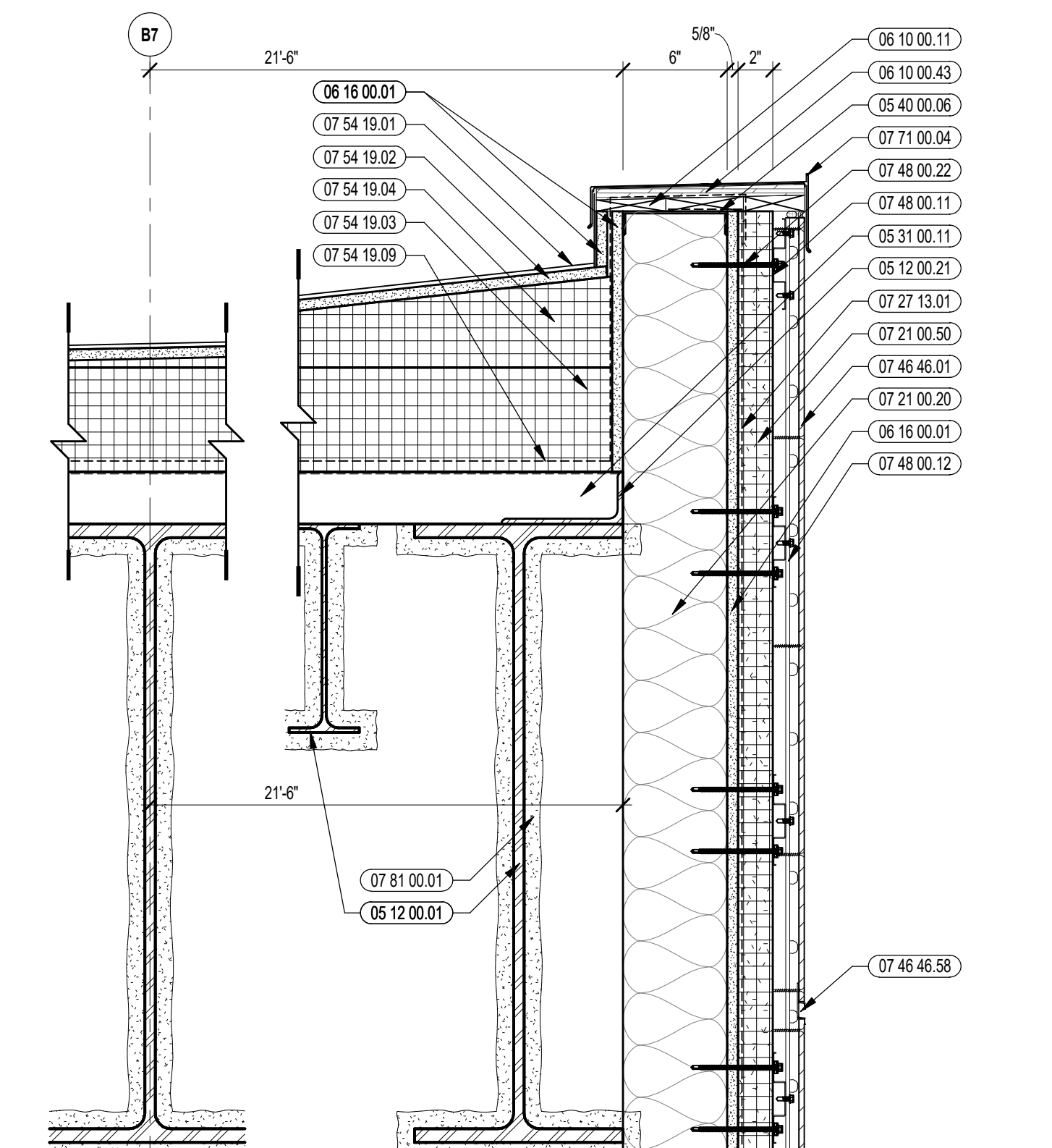
9 VERTICAL DETAIL
1 1/2" = 1'-0"



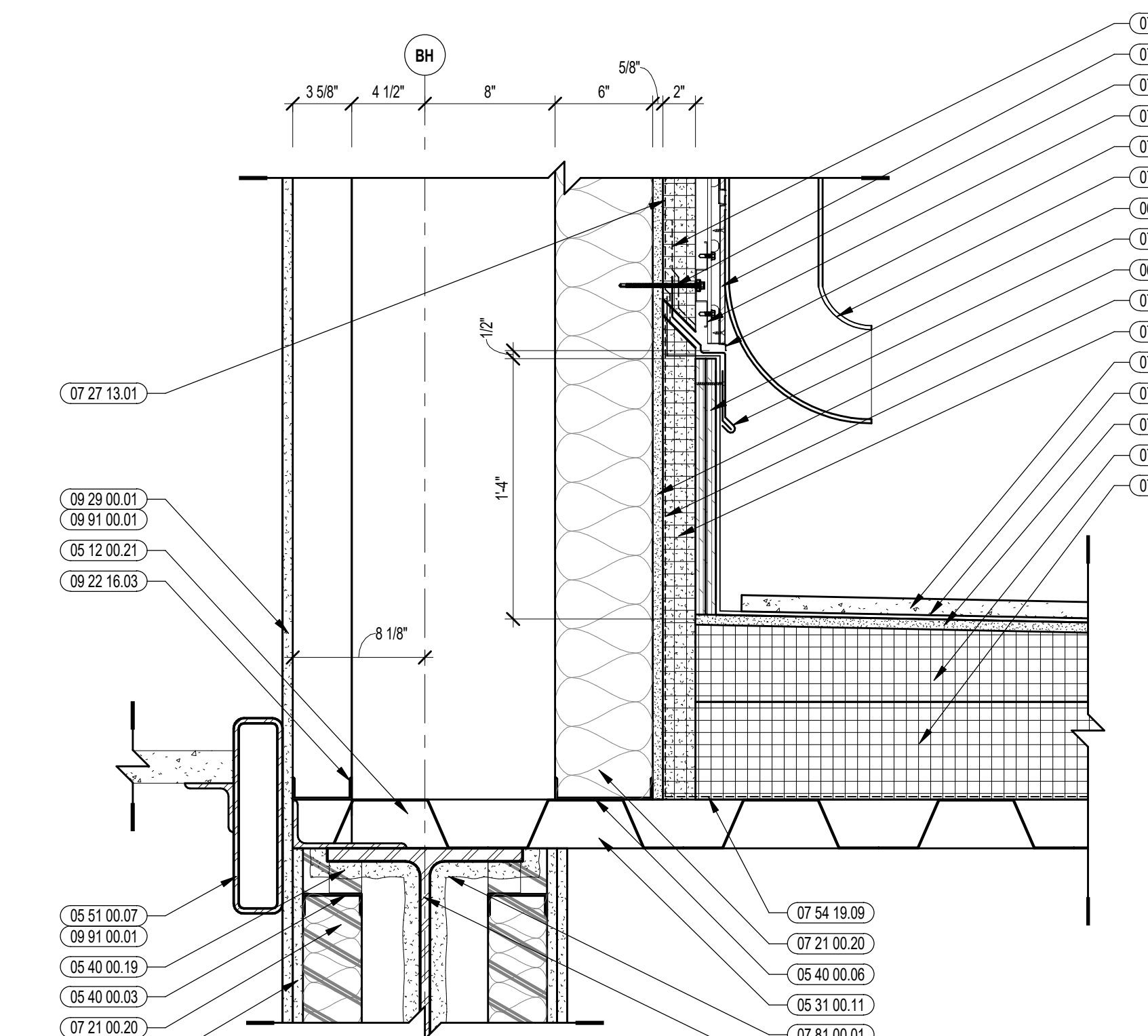
7 VERTICAL DETAIL
1 1/2" = 1'-0"



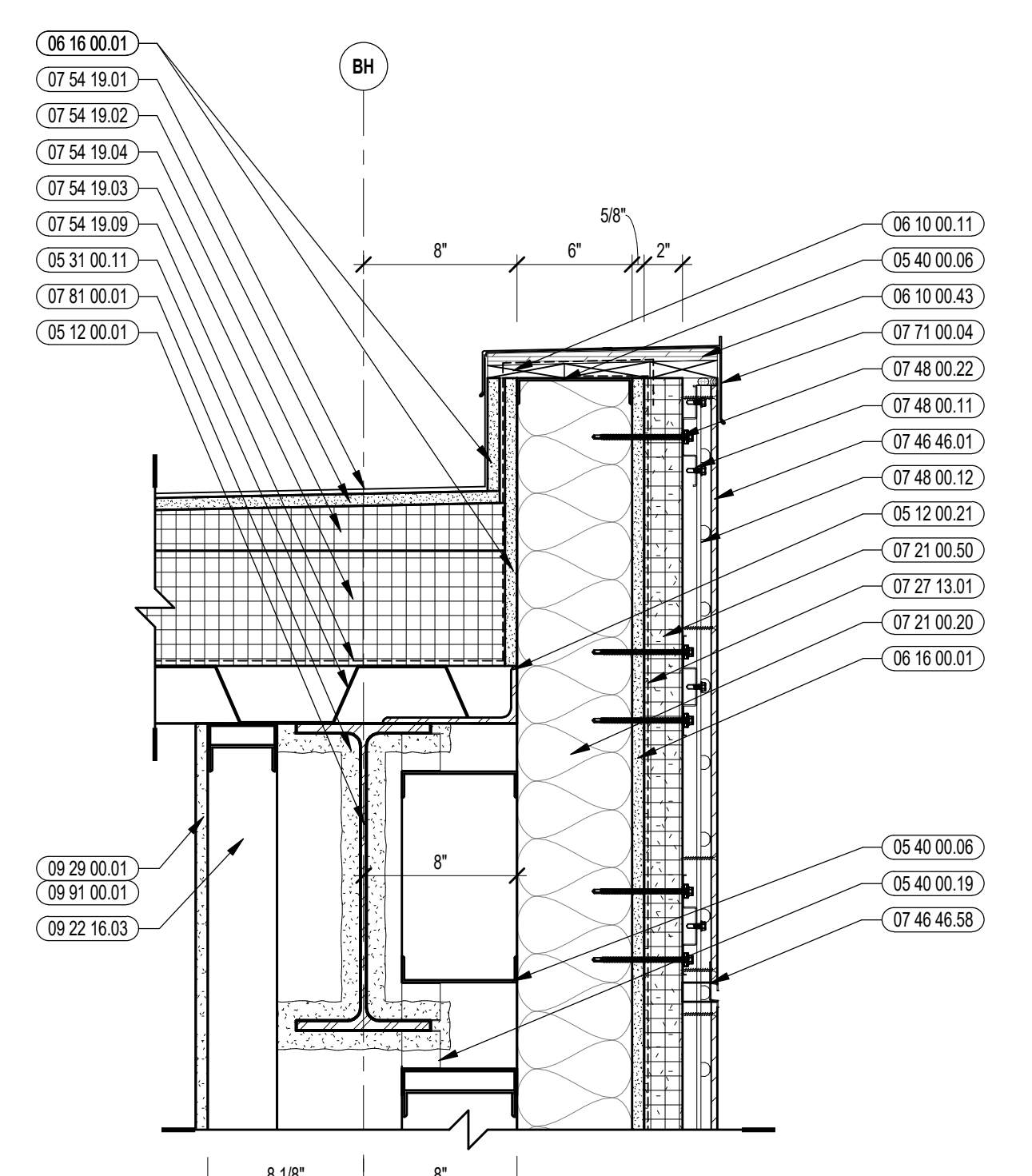
5 VERTICAL DETAIL
1 1/2" = 1'-0"



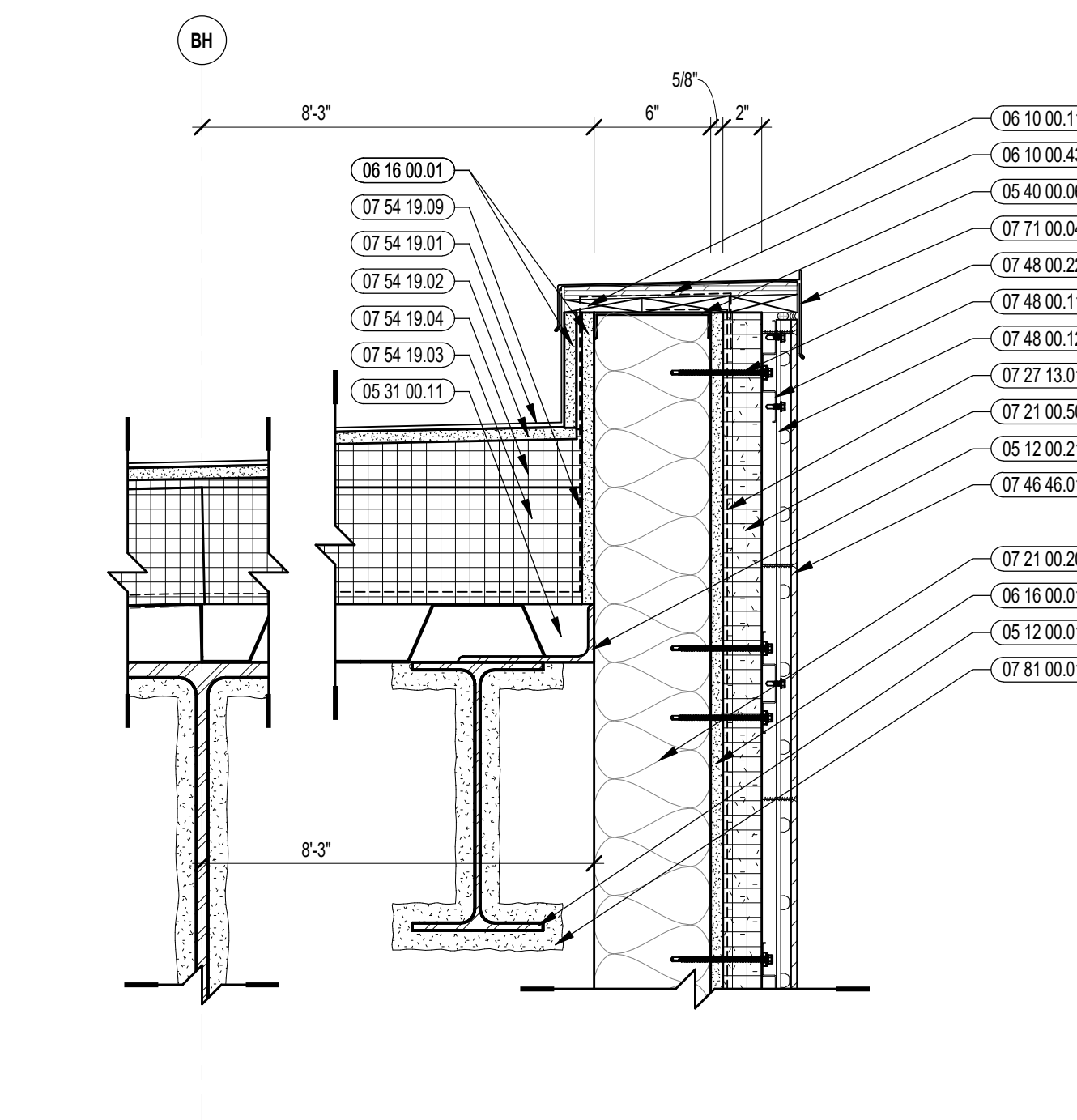
2 VERTICAL DETAIL
1 1/2" = 1'-0"



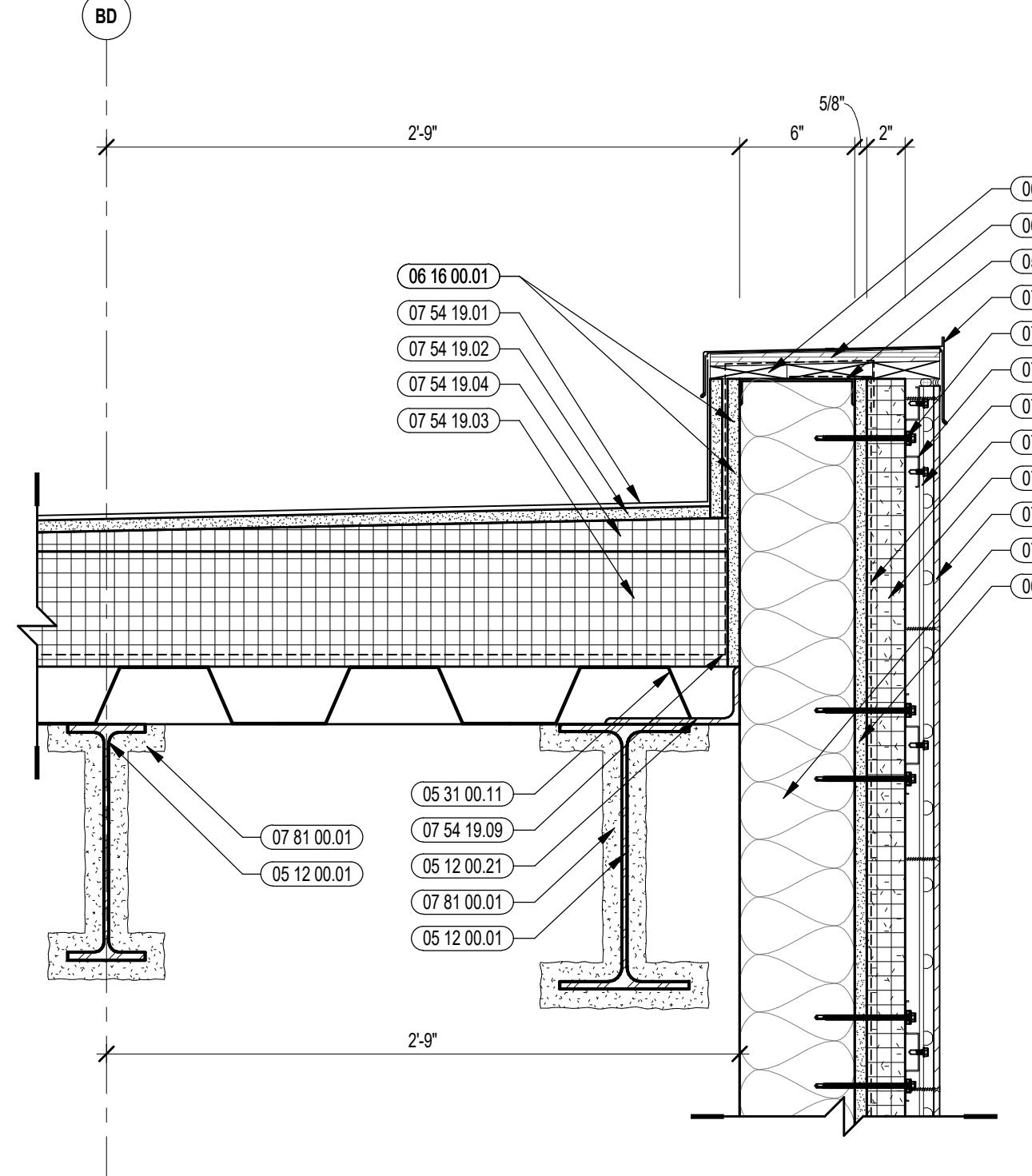
6 VERTICAL DETAIL
1 1/2" = 1'-0"



4 VERTICAL DETAIL
1 1/2" = 1'-0"

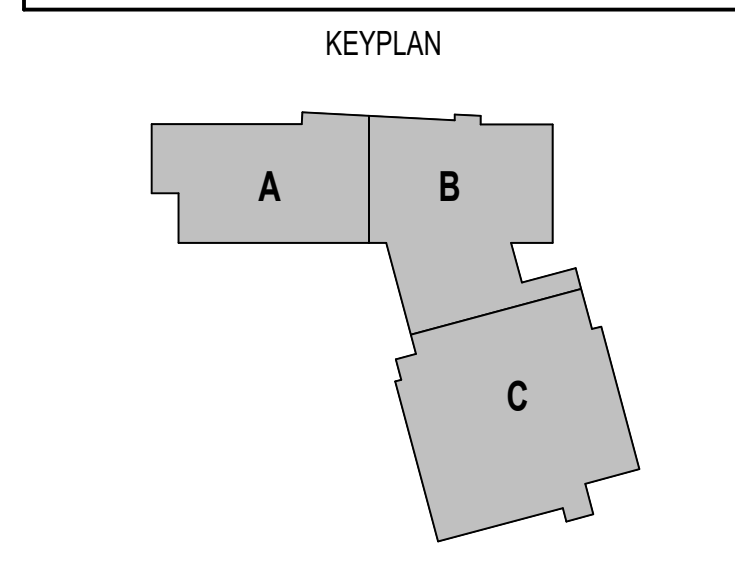
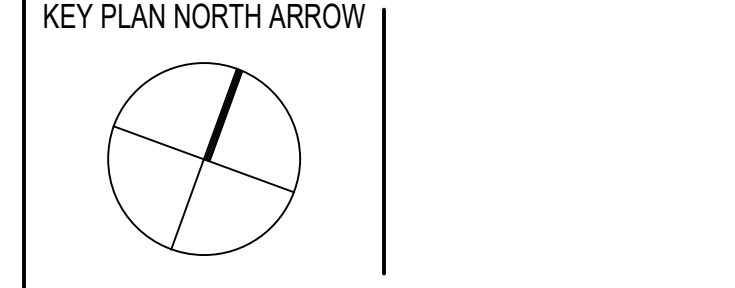


8 VERTICAL DETAIL
1 1/2" = 1'-0"



1 VERTICAL DETAIL
1 1/2" = 1'-0"

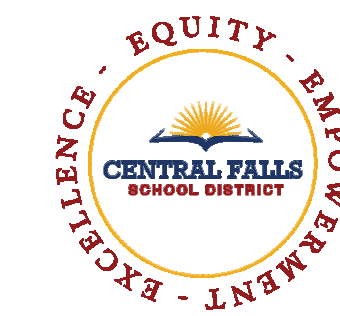
100% CONSTRUCTION DOCUMENTS



DRAWING NAME:

VERTICAL ROOF DETAILS

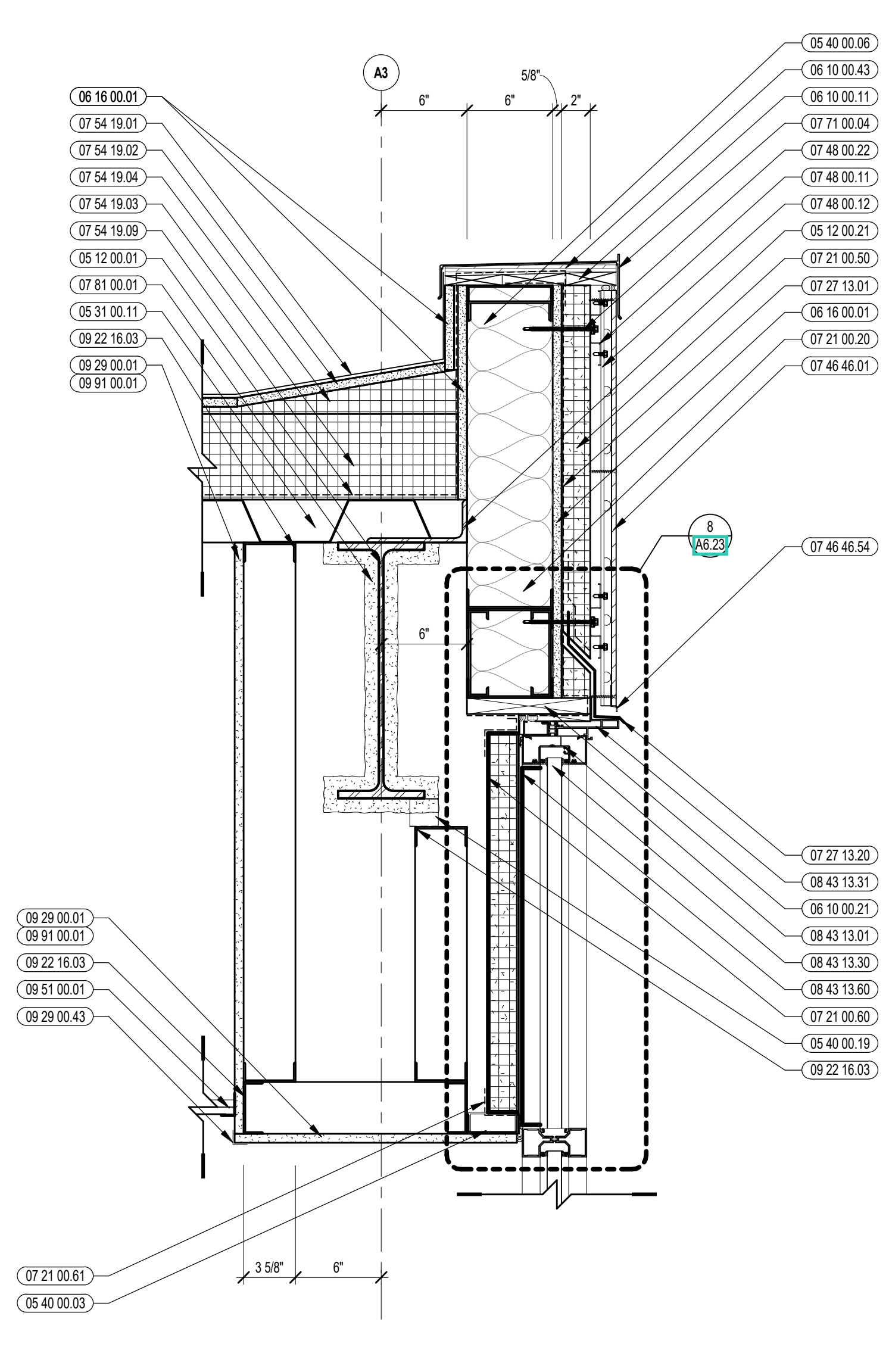
DRAWN BY: BFC
REVIEWED BY: CHR/KK
SCALE: AS INDICATED | DRAWING NUMBER:
JOB NO.: 2202.02
DATE: OCTOBER 13, 2023 A5.33



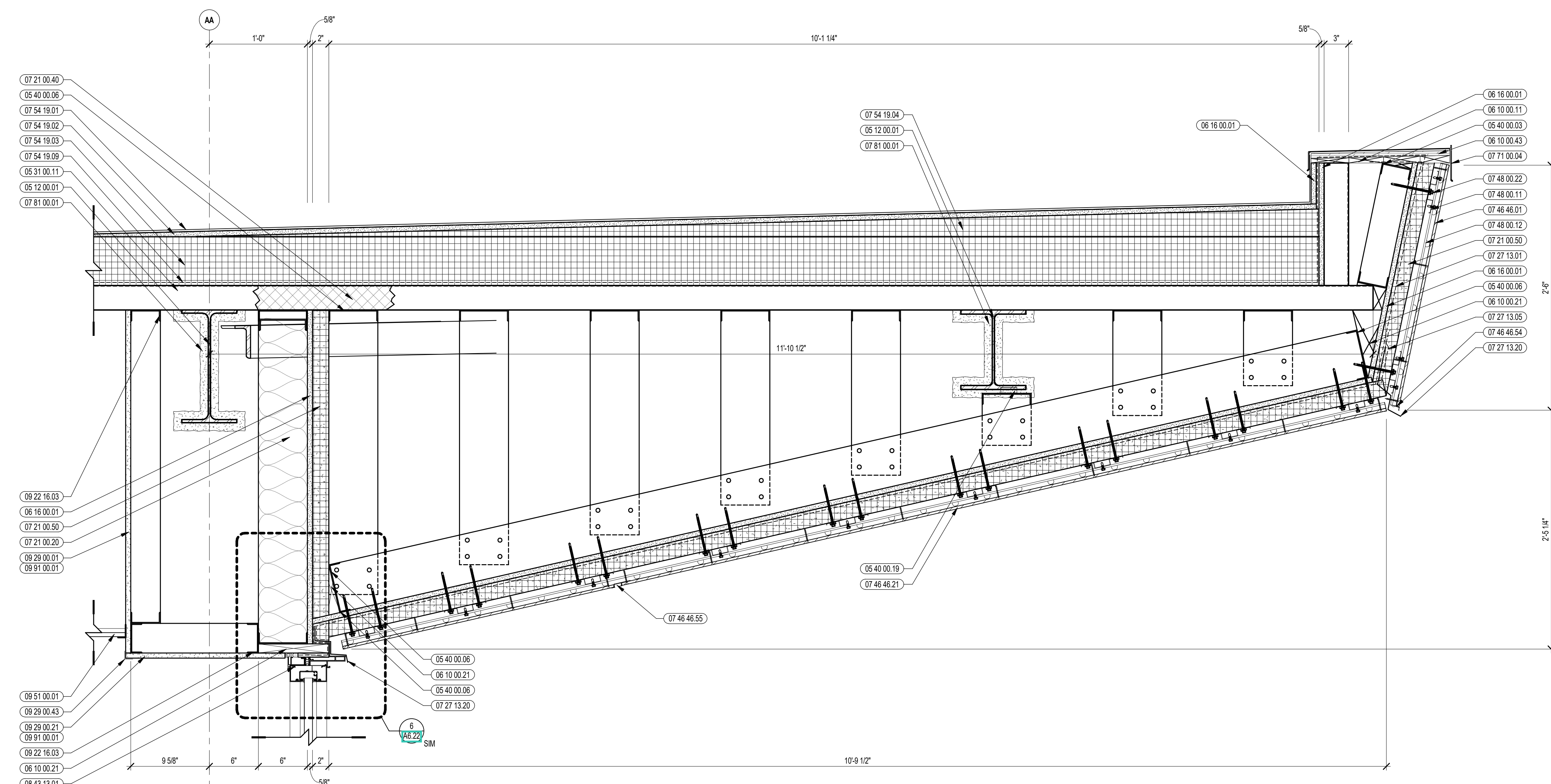
CENTRAL FALLS HIGH SCHOOL
10 HIGGINSON AVE, CENTRAL FALLS, RI

KEYNOTE LEGEND:

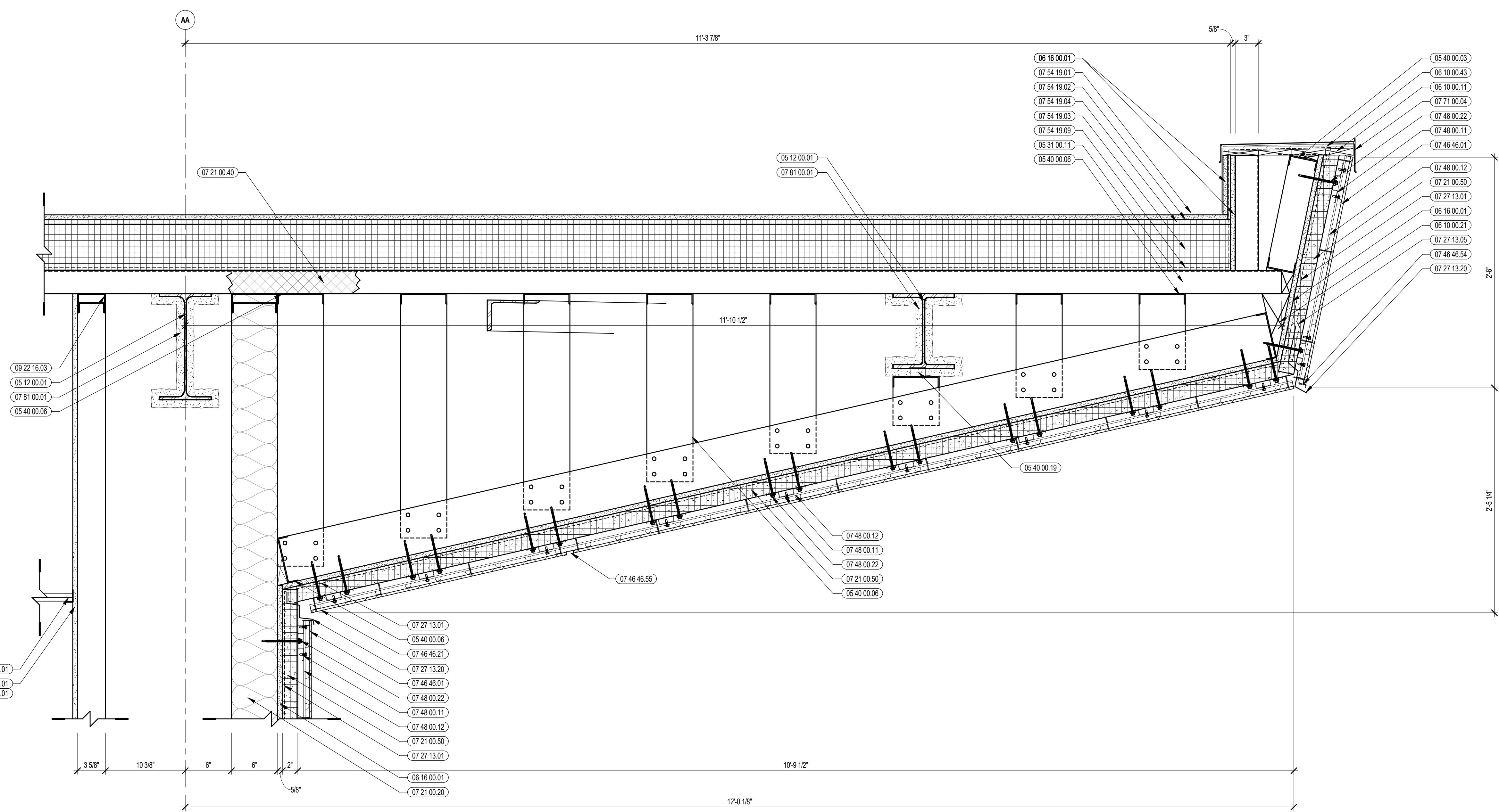
- 05 12 00.01 STEEL BEAM - SEE STRUCTURAL
- 05 12 00.21 STEEL EDGE ANGLE - SEE STRUCTURAL
- 05 12 00.36 STEEL PLATE BENT - SEE STRUCTURAL
- 05 31 00.11 STEEL ROOF DECK - 3 INCH GALVANIZED - SEE STRUCTURAL
- 05 40 00.03 STEEL STUDS - 3.58 INCH - 16 INCHES O.C. MAX
- 05 40 00.06 STEEL STUDS - 6 INCH - 16 INCHES O.C. MAX
- 05 40 00.19 STEEL Z-CLIP - 16 GAGE MIN - 1 INCH MIN. DEPTH - 16 INCHES O.C. MAX
- 06 10 00.11 WOOD BLOCKING - (2X) PRESSURE TREATED - SIZE AS NOTED OR DRAWN
- 06 10 00.21 WOOD BLOCKING - (2X) FIRE RETARDANT TREATED - SIZE AS NOTED OR DRAWN
- 06 10 00.43 PLYWOOD PRESSURE TREATED - 5/8 INCH
- 06 16 00.01 GYPSUM EXTERIOR SHEATHING - 5/8 INCH
- 07 21 00.20 GLASS FIBER BLANKET INSULATION - MATCH DEPTH OF STUD - UNFACED
- 07 21 00.40 FOAMED IN PLACE INSULATION / AIR BARRIER
- 07 21 00.50 MINERAL WOOL INSULATION - RIGID - EXTERIOR - 2 INCH
- 07 21 00.59 MINERAL WOOL INSULATION - FOIL-FACED
- 07 21 00.61 FOIL SCUM AND HEART TAPE
- 07 27 13.01 AIR/VAPOR BARRIER MEMBRANE - SELF-ADHERING
- 07 27 13.05 AIR/VAPOR BARRIER TRANSITION MEMBRANE - SELF-ADHERING
- 07 27 13.20 FLASHING - STAINLESS STEEL
- 07 46 48.01 MINERAL FIBER CEMENT PANEL - REFERENCE ELEVATIONS FOR COLOR
- 07 46 48.20 MINERAL FIBER CEMENT SOFFIT - COLOR 1
- 07 46 48.21 MINERAL FIBER CEMENT SOFFIT - COLOR 2
- 07 46 48.42 SEALANT - TYPE AS REQUIRED
- 07 46 48.53 PANEL INSIDE CORNER
- 07 46 48.54 HORIZONTAL Z TRIM
- 07 46 48.55 BEAD REVEAL TRIM
- 07 46 48.58 DOUBLE HORIZONTAL TRIM
- 07 48 00.11 HORIZONTAL GIRT - REFER TO SHOP DRAWINGS FOR SIZE
- 07 48 00.12 VERTICAL PANEL RAIL - REFER TO SHOP DRAWINGS FOR SIZE
- 07 48 00.22 STAINLESS STEEL SELF-DRILLING SCREW WITH THERMAL ISOLATION
- 07 54 19.01 PVC SINGLE PLY MEMBRANE ROOFING
- 07 54 19.02 HIGH DENSITY POLYISO RECOVERY BOARD
- 07 54 19.03 POLYISO RIGID INSULATION
- 07 54 19.04 POLYISO TAPERED INSULATION
- 07 54 19.09 SHEET VAPOR RETARDER - TAPE SEAMS
- 07 71 00.04 FACTORY FABRICATED PARAPET WALL COPING - CUSTOM COLOR
- 07 81 00.01 CEMENTITIOUS FIREPROOFING
- 08 43 13.01 ALUMINUM STOREFRONT FRAME
- 08 43 13.30 SPANDREL GLASS
- 08 43 13.31 SUB-FRAME / RECEIPTOR
- 09 22 16.03 METAL STUD 3-5/8 INCH - 16 INCHES O.C. MAX
- 09 29 00.01 5/8 INCH GYPSUM BOARD - LEVEL 4 FINISH - 1 LAYER
- 09 29 00.21 5/8 INCH GYPSUM BOARD - LEVEL 4 FINISH - SACRESISTANT
- 09 29 00.43 CORNER BEAD
- 09 51 00.01 ACT TYPE-1 - REFERENCE REFLECTED CEILING PLANS FOR GRID PATTERN
- 09 91 00.01 PAINT - SEE SCHEDULE



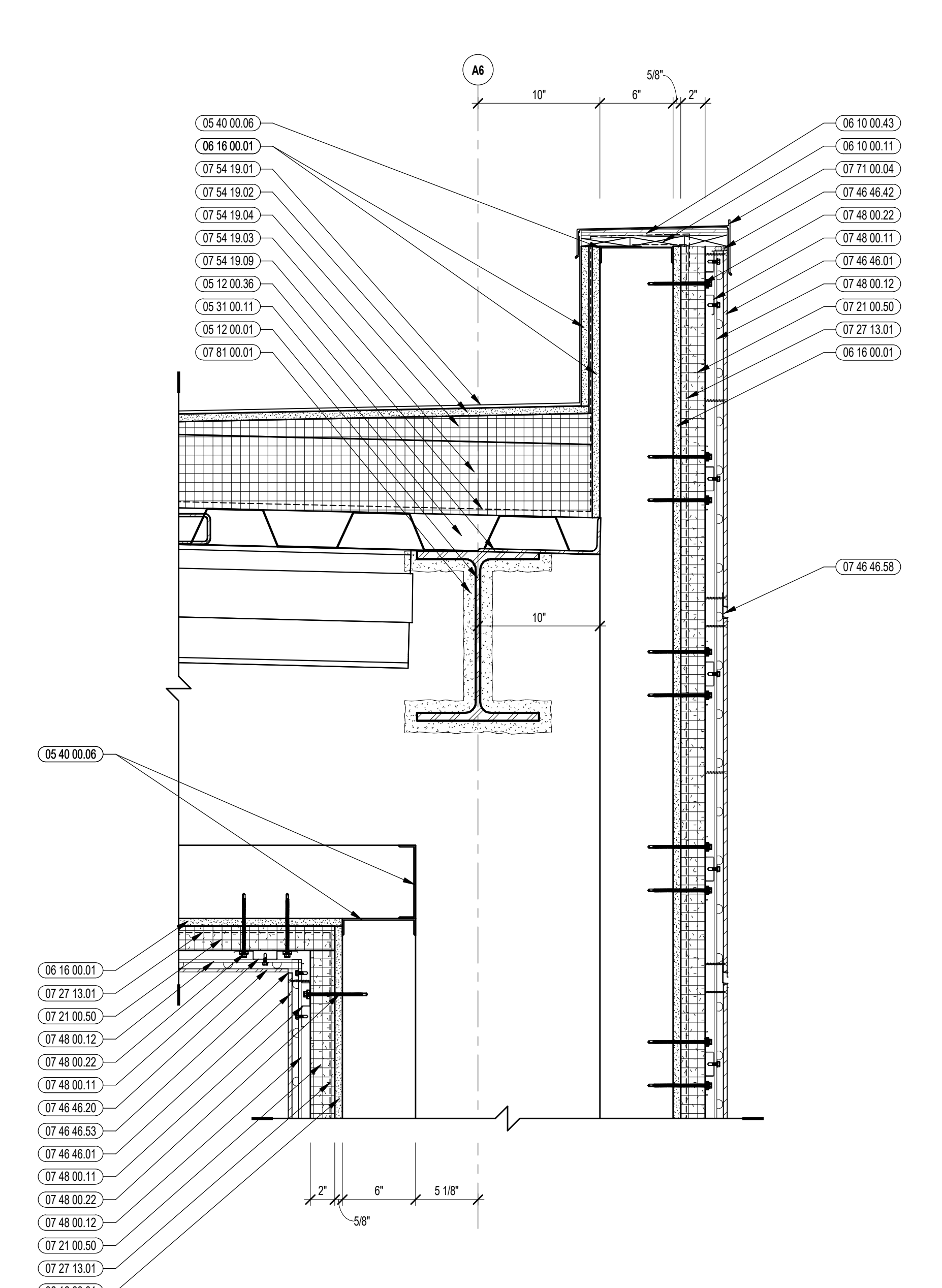
4 VERTICAL DETAIL
1 1/2" = 1'-0"



2 VERTICAL DETAIL
1 1/2" = 1'-0"



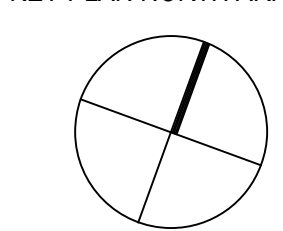
3 VERTICAL DETAIL
1 1/2" = 1'-0"



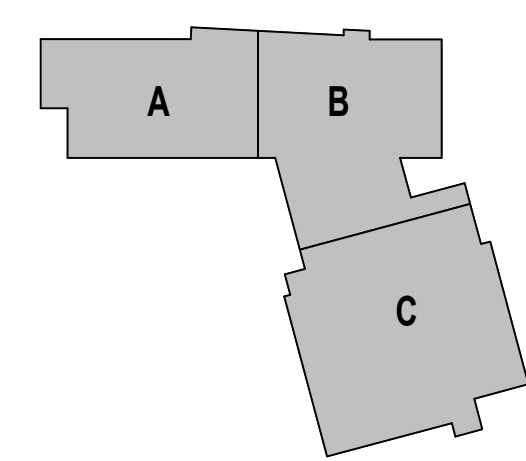
1 VERTICAL DETAIL
1 1/2" = 1'-0"

100% CONSTRUCTION DOCUMENTS

KEY PLAN NORTH ARROW



KEYPLAN



DRAWING NAME:

VERTICAL ROOF DETAILS

DRAWN BY: BFC

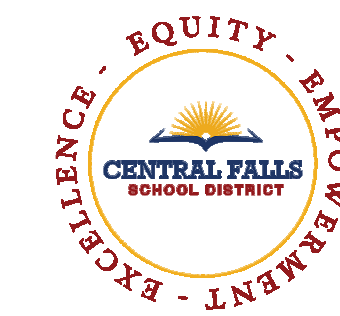
REVIEWED BY: CHR/KK

SCALE: AS INDICATED | DRAWING NUMBER:

JOB NO.: 2202.02

DATE: OCTOBER 13, 2023

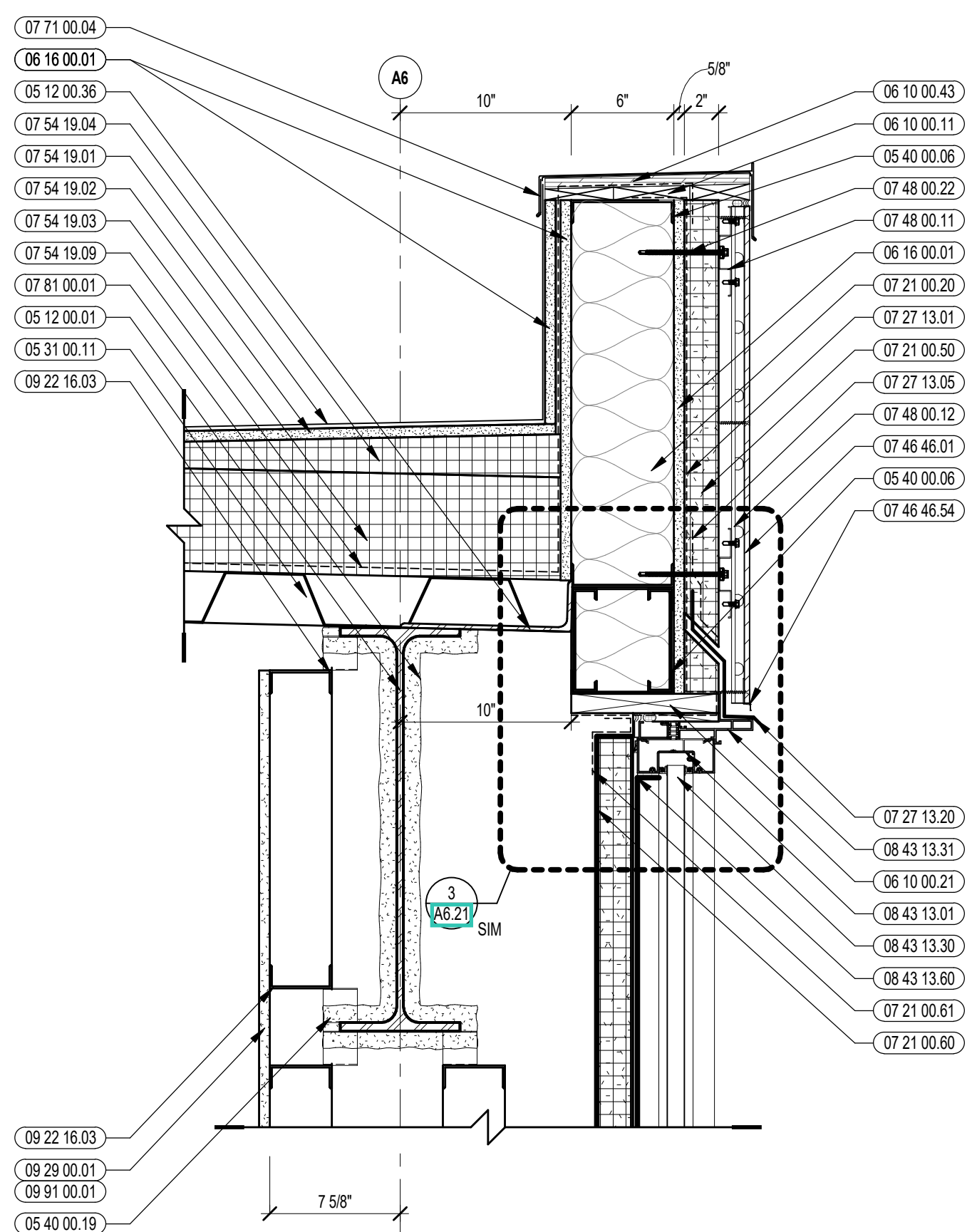
A5.34



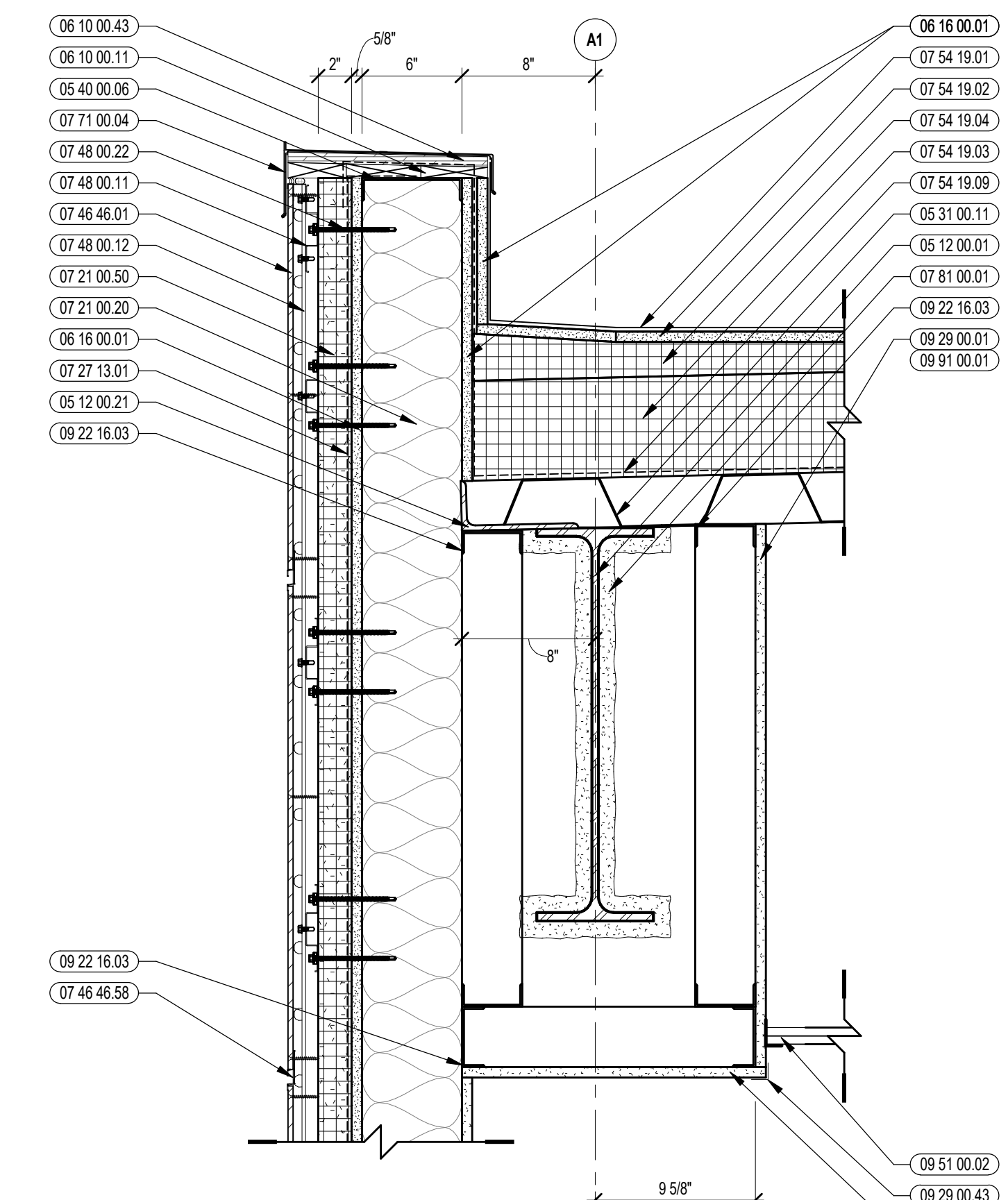
CENTRAL FALLS HIGH SCHOOL
10 HIGGINSON AVE, CENTRAL FALLS, RI

KEYNOTE LEGEND:

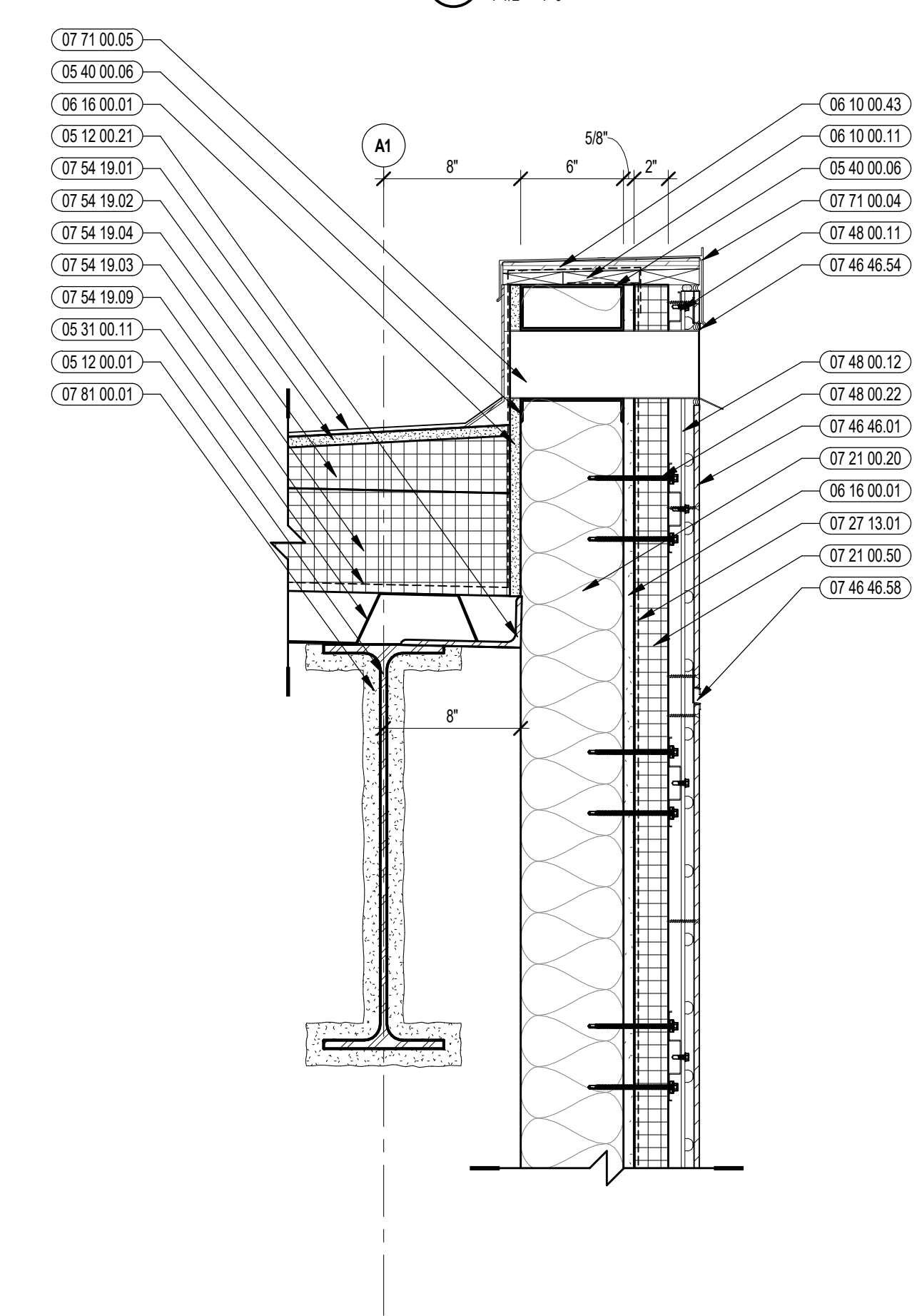
- 05 12 00.01 STEEL BEAM - SEE STRUCTURAL
- 05 12 00.21 STEEL EDGE ANGLE - SEE STRUCTURAL
- 12 00.06 STEEL PLATE BENT - SEE STRUCTURAL
- 05 31 00.11 STEEL ROOF DECK - 3 INCH GALVANIZED - SEE STRUCTURAL
- 05 40 00.03 STEEL STUDS - 3.58 INCH - 16 INCHES O.C. MAX
- 05 40 00.06 STEEL STUDS - 6 INCH - 16 INCHES O.C. MAX
- 05 40 00.19 STEEL Z-CLIP - 16 GAGE MIN. - 1 INCH MIN. DEPTH - 16 INCHES O.C. MAX
- 06 10 00.11 WOOD BLOCKING - (2X) PRESSURE TREATED - SIZE AS NOTED OR DRAWN
- 06 10 00.21 WOOD BLOCKING - (2X) FIRE RETARDANT TREATED - SIZE AS NOTED OR DRAWN
- 06 10 00.43 PLYWOOD PRESSURE TREATED - 5/8 INCH
- 06 16 00.01 GYPSUM EXTERIOR SHEATHING - 5/8 INCH
- 07 21 00.20 GLASS FIBER BLANKET INSULATION - MATCH DEPTH OF STUD - UNFACED
- 07 21 00.40 FOAMED IN PLACE INSULATION / AIR BARRIER
- 07 21 00.50 MINERAL WOOL INSULATION - RIGID - EXTERIOR - 2 INCH
- 07 21 00.60 MINERAL WOOL INSULATION - FOIL-FACED
- 07 21 00.61 FOIL SCUM AND HEAT TAPES
- 07 27 13.01 AIR/VAPOR BARRIER MEMBRANE - SELF-ADHERING
- 07 27 13.05 AIR/VAPOR BARRIER TRANSITION MEMBRANE - SELF-ADHERING
- 07 27 13.20 FLASHING - STAINLESS STEEL
- 07 46 46.01 MINERAL FIBER CEMENT PANEL - REFERENCE ELEVATIONS FOR COLOR
- 07 46 46.54 HORIZONTAL Z TRIM
- 07 46 46.58 DOUBLE HORIZONTAL TRIM
- 07 48 00.01 HORIZONTAL GRT - REFER TO SHOP DRAWINGS FOR SIZE
- 07 48 00.12 VERTICAL PANEL RAL - REFER TO SHOP DRAWINGS FOR SIZE
- 07 48 00.22 STAINLESS STEEL SELF-DRILLING SCREW WITH THERMAL ISOLATION
- 07 54 19.01 PVC SINGLE PLY MEMBRANE ROOFING
- 07 54 19.02 HIGH DENSITY POLYISO RECOVERY BOARD
- 07 54 19.03 POLYISO RIGID INSULATION
- 07 54 19.04 POLYISO TAPERED INSULATION
- 07 54 19.09 SHEET VAPOR RETARDER - TAPE SEAMS
- 07 71 00.04 FACTORY FABRICATED PARAPET WALL COPING - CUSTOM COLOR
- 07 71 00.05 FACTORY FABRICATED OVERFLOW ROOF SCUPPER - CUSTOM COLOR
- 07 81 00.01 CEMENTITIOUS FIREPROOFING
- 08 43 13.01 ALUMINUM STOREFRONT FRAME
- 08 43 13.30 SPANDREL GLASS
- 08 43 13.31 SUB-FRAME / RECEPTOR
- 08 43 13.60 STEEL BACK PAN
- 09 22 16.03 METAL STUD 3-5/8 INCH - 16 INCHES O.C. MAX
- 09 29 00.01 5/8 INCH GYPSUM BOARD - LEVEL 4 FINISH - 1 LAYER
- 09 29 00.21 5/8 INCH GYPSUM BOARD - LEVEL 4 FINISH - SAG-RESISTANT
- 09 29 00.43 CORNER BEAD
- 09 91 00.02 ACT TYPE 2
- 09 91 00.01 PAINT - SEE SCHEDULE
- 12 24 00.01 ROLLER SHADE



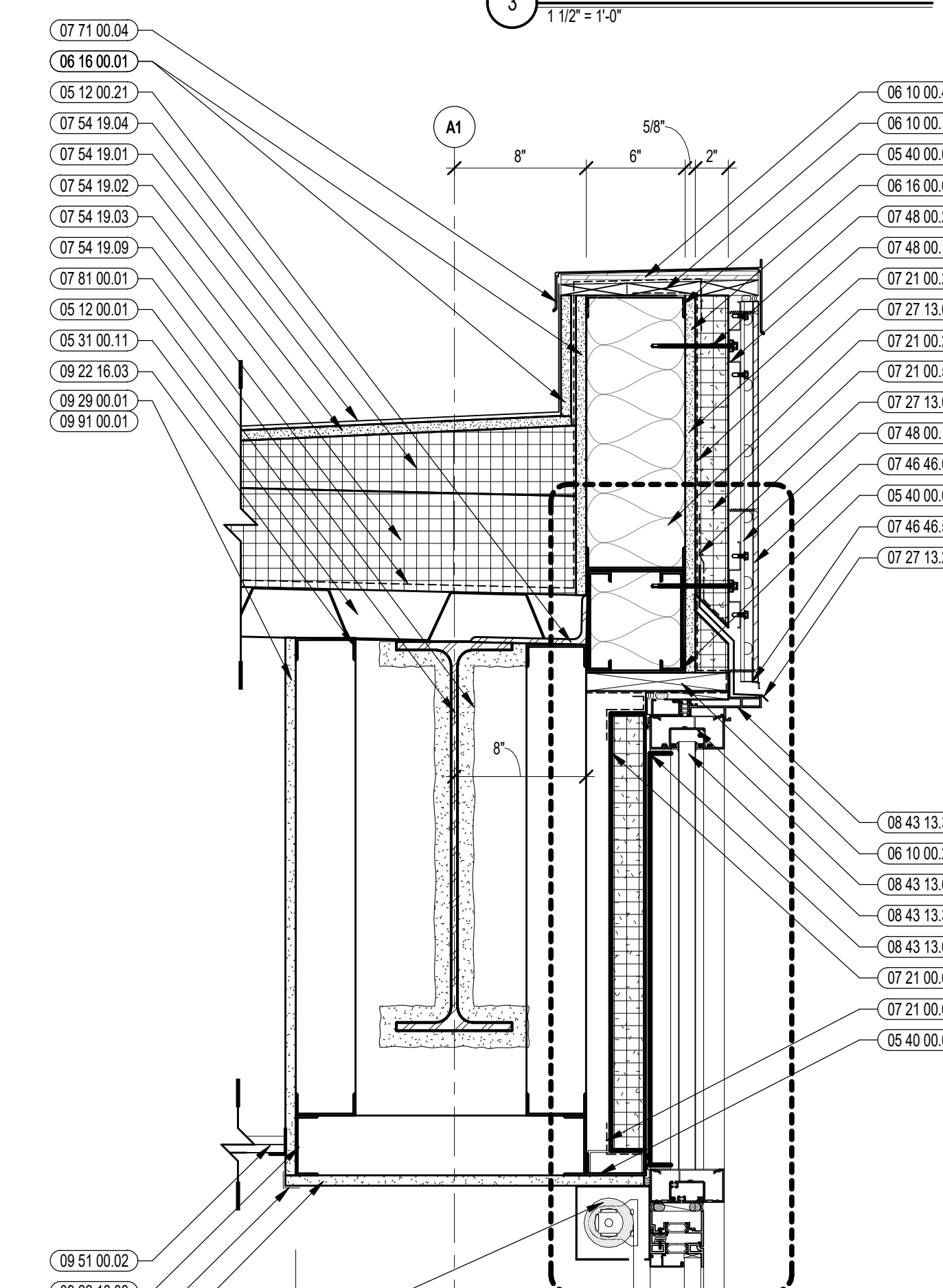
5 VERTICAL DETAIL
1 1/2" = 1'-0"



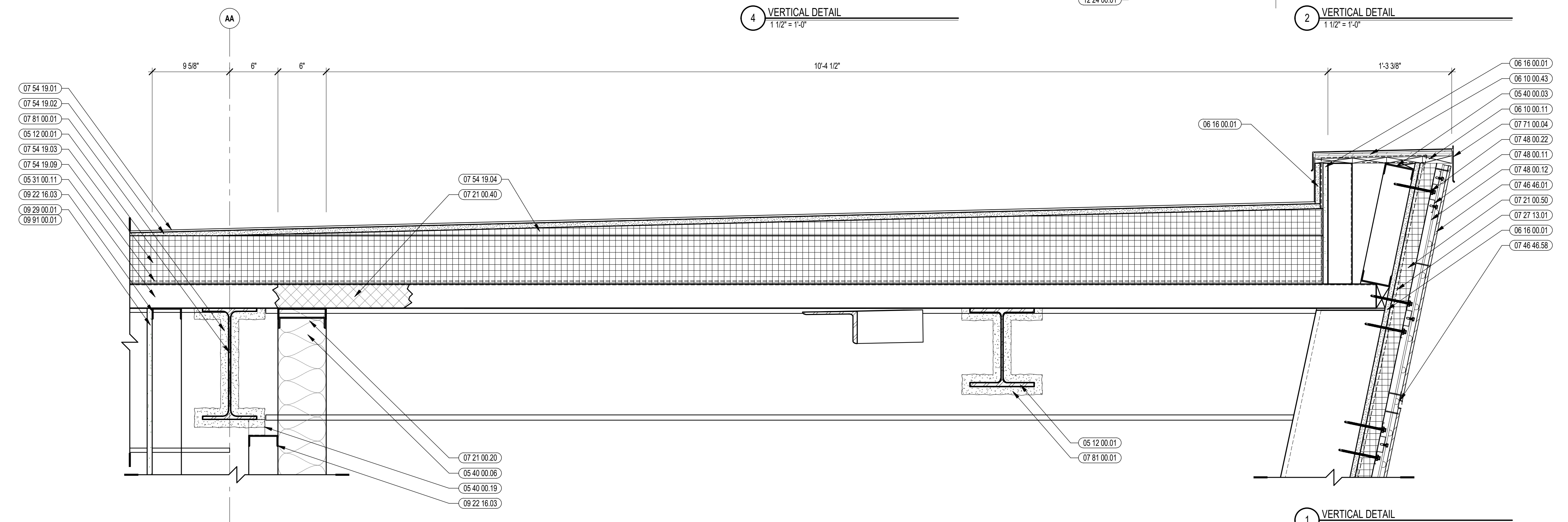
3 VERTICAL DETAIL
1 1/2" = 1'-0"



4 VERTICAL DETAIL
1 1/2" = 1'-0"



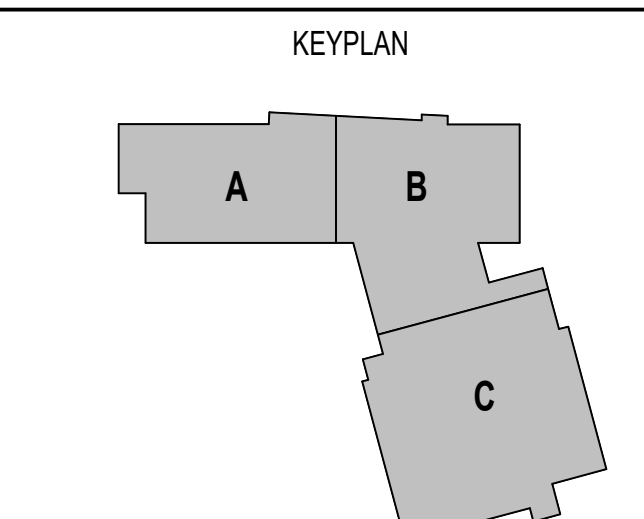
2 VERTICAL DETAIL
1 1/2" = 1'-0"



1 VERTICAL DETAIL
1 1/2" = 1'-0"

100% CONSTRUCTION DOCUMENTS

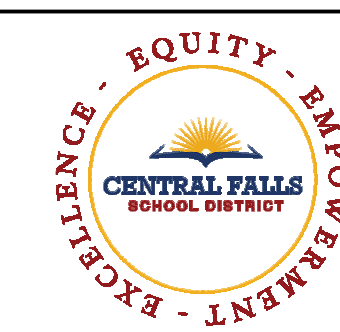
KEY PLAN NORTH ARROW



DRAWING NAME:
VERTICAL ROOF DETAILS

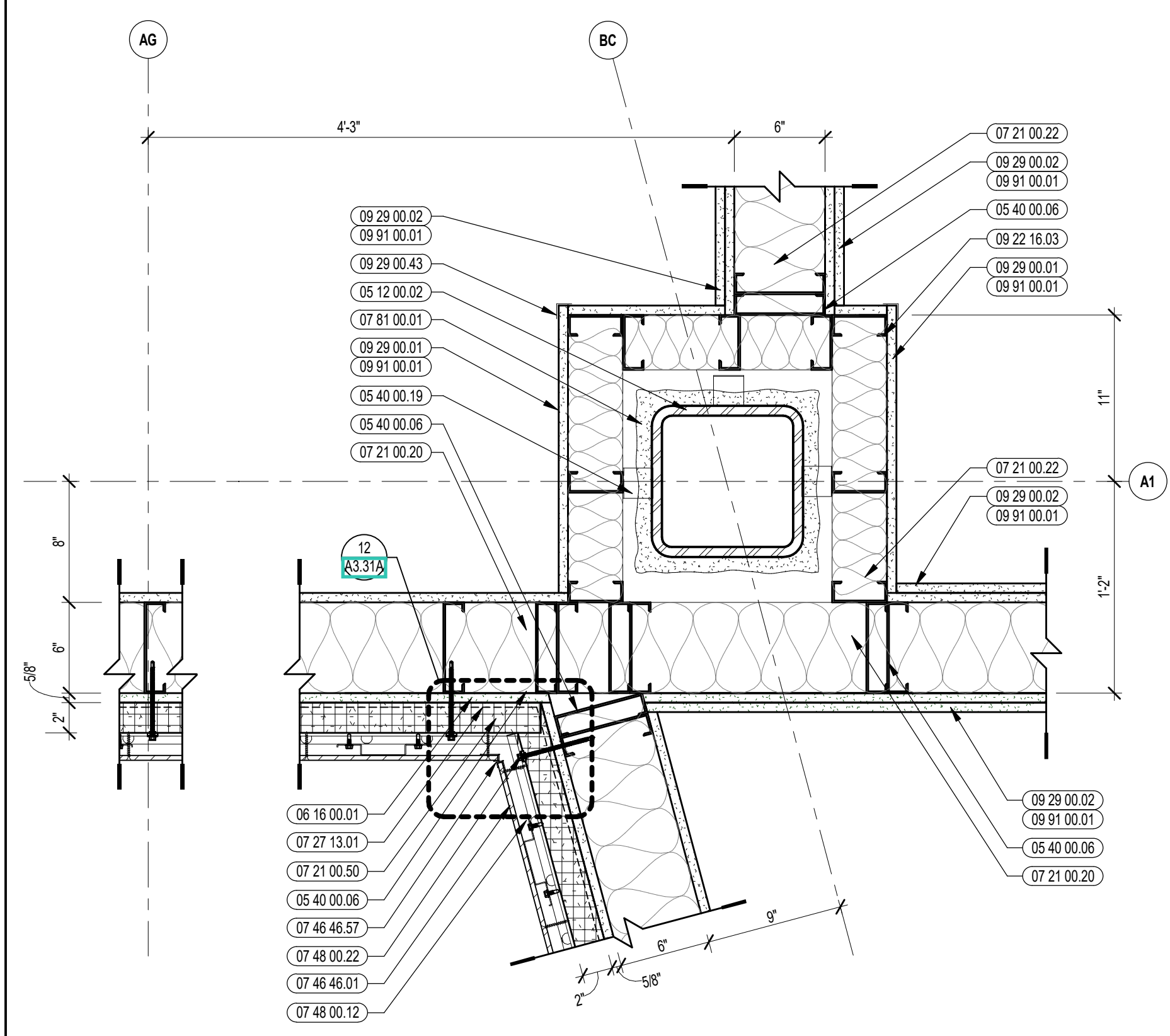
DRAWN BY: BFC
REVIEWED BY: CHR/KK

SCALE: AS INDICATED | DRAWING NUMBER:
JOB NO.: 2202.02
DATE: OCTOBER 13, 2023 **A5.35**

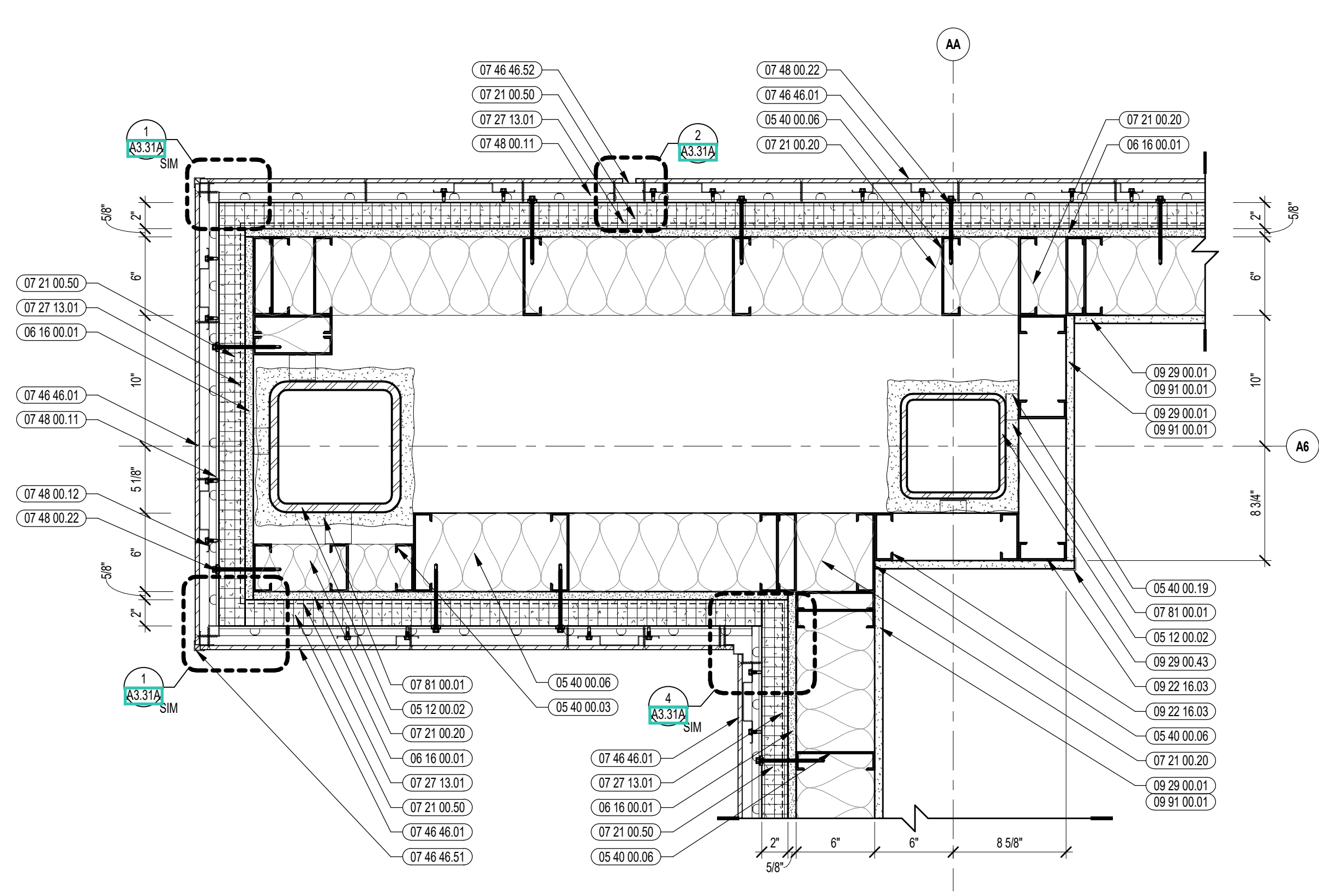


CENTRAL FALLS HIGH SCHOOL
10 HIGGINSON AVE, CENTRAL FALLS, RI

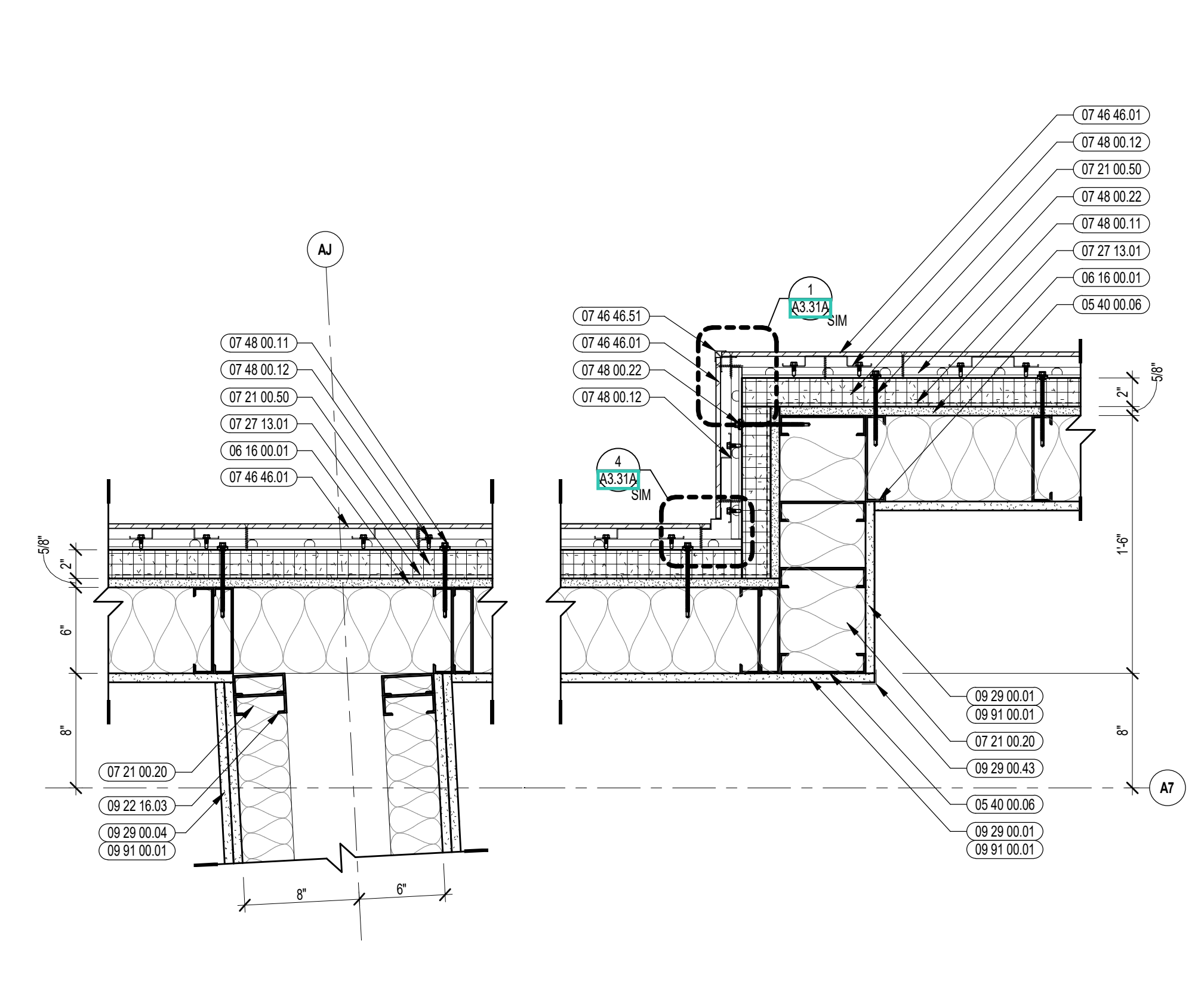
- KEYNOTE LEGEND:**
- 05 12 00.02 STEEL COLUMN - SEE STRUCTURAL
 - 05 40 00.03 STEEL STUDS - 3/8 INCH - 16 INCHES O.C. MAX
 - 05 40 00.06 STEEL STUDS - 6 INCH - 16 INCHES O.C. MAX
 - 05 40 00.19 STEEL Z-CLIP - 16 GAGE MIN. - 1 INCH MIN. DEPTH - 16 INCHES O.C. MAX
 - 06 16 00.01 GYPSUM EXTERIOR SHEATHING - 5/8 INCH
 - 07 21 00.20 GLASS FIBER BLANKET INSULATION - MATCH DEPTH OF STUD - UNFACED
 - 07 21 00.02 GLASS FIBER ACOUSTICAL BLANKET INSULATION - MATCH DEPTH OF STUD - UNFACED
 - 07 21 00.00 MINERAL WOOL INSULATION - RIGID - EXTERIOR - 2 INCH
 - 07 27 13.01 AIR VAPOR BARRIER MEMBRANE - SELF-ADHERING
 - 07 27 13.05 AIR VAPOR BARRIER TRANSITION MEMBRANE - SELF-ADHERING
 - 07 46 46.01 MINERAL FIBER CEMENT PANEL - REFERENCE ELEVATIONS FOR COLOR
 - 07 46 46.51 LOW PROFILE OUTSIDE CORNER
 - 07 46 46.52 VERTICAL U TRIM
 - 07 46 46.53 PANEL INSIDE CORNER
 - 07 46 46.57 J MOLD TRIM
 - 07 48 00.18 HORIZONTAL GIRT - REFER TO SHOP DRAWINGS FOR SIZE
 - 07 48 00.12 VERTICAL PANEL RAIL - REFER TO SHOP DRAWINGS FOR SIZE
 - 07 48 00.16 VERTICAL TERMINATION GIRT - REFER TO SHOP DRAWINGS FOR SIZE
 - 07 48 00.22 STAINLESS STEEL SELF-DORLING SCREW WITH THERMAL ISOLATION
 - 08 44 13.01 CEMENTITIOUS FIREPROOFING
 - 09 22 16.01 METAL STUD - 5/8 INCH - 16 INCHES O.C. MAX
 - 09 22 16.03 METAL STUD - 3/8 INCH - 16 INCHES O.C. MAX
 - 09 29 00.01 5/8 INCH GYPSUM BOARD - LEVEL 4 FINISH - 1 LAYER
 - 09 29 00.02 5/8 INCH GYPSUM BOARD - LEVEL 4 FINISH - 2 LAYERS
 - 09 29 00.04 5/8 INCH GYPSUM BOARD - LEVEL 4 FINISH - 2 LAYERS EACH SIDE
 - 09 29 00.43 CORNER BEAD
 - 09 72 16.01 VINYL WALL CLADDING - REFERENCE ELEVATIONS FOR TYPE
 - 09 91 00.01 PAINT - SEE SCHEDULE



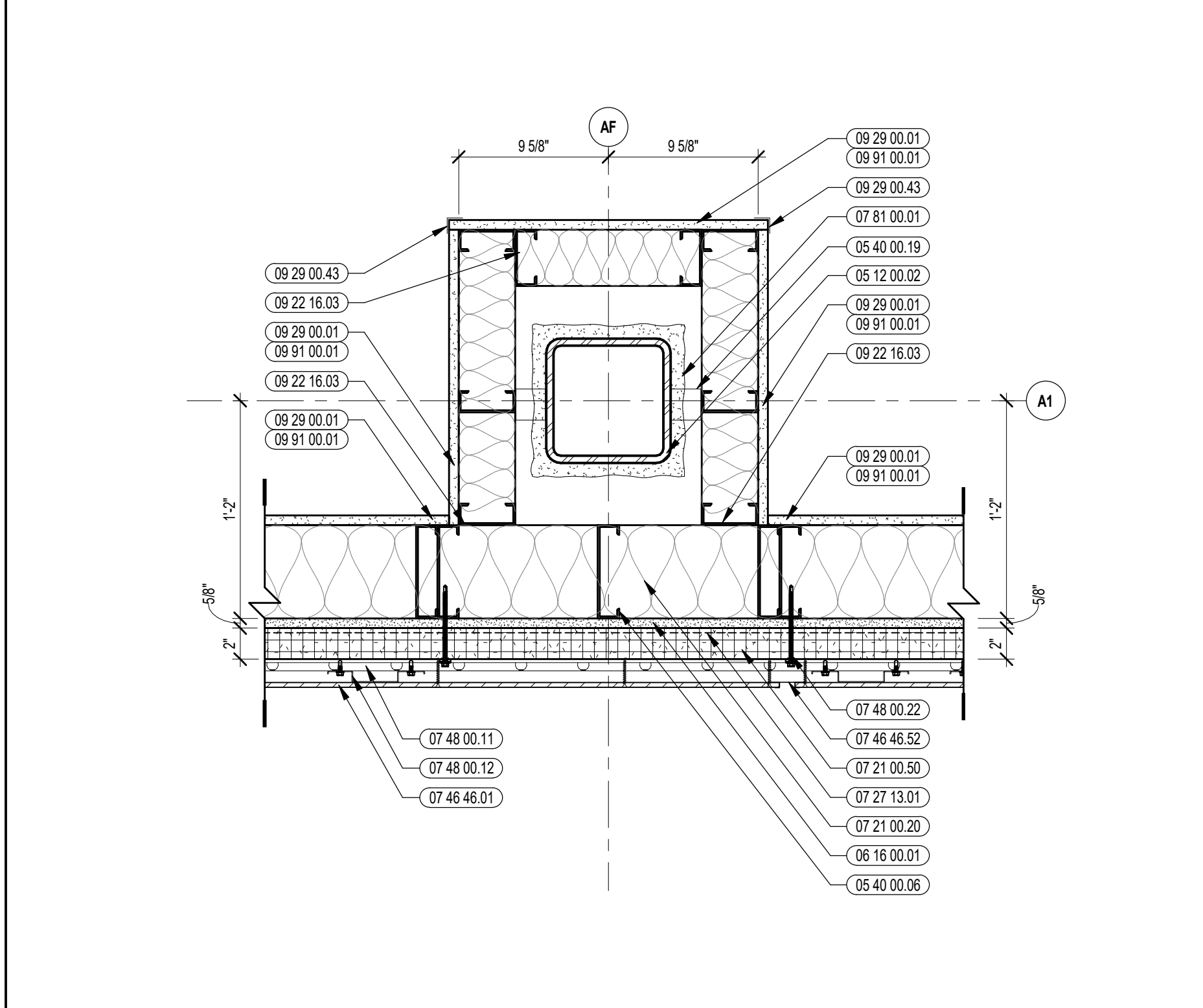
9 EXTERIOR PLAN DETAIL
1/12" = 1'-0"



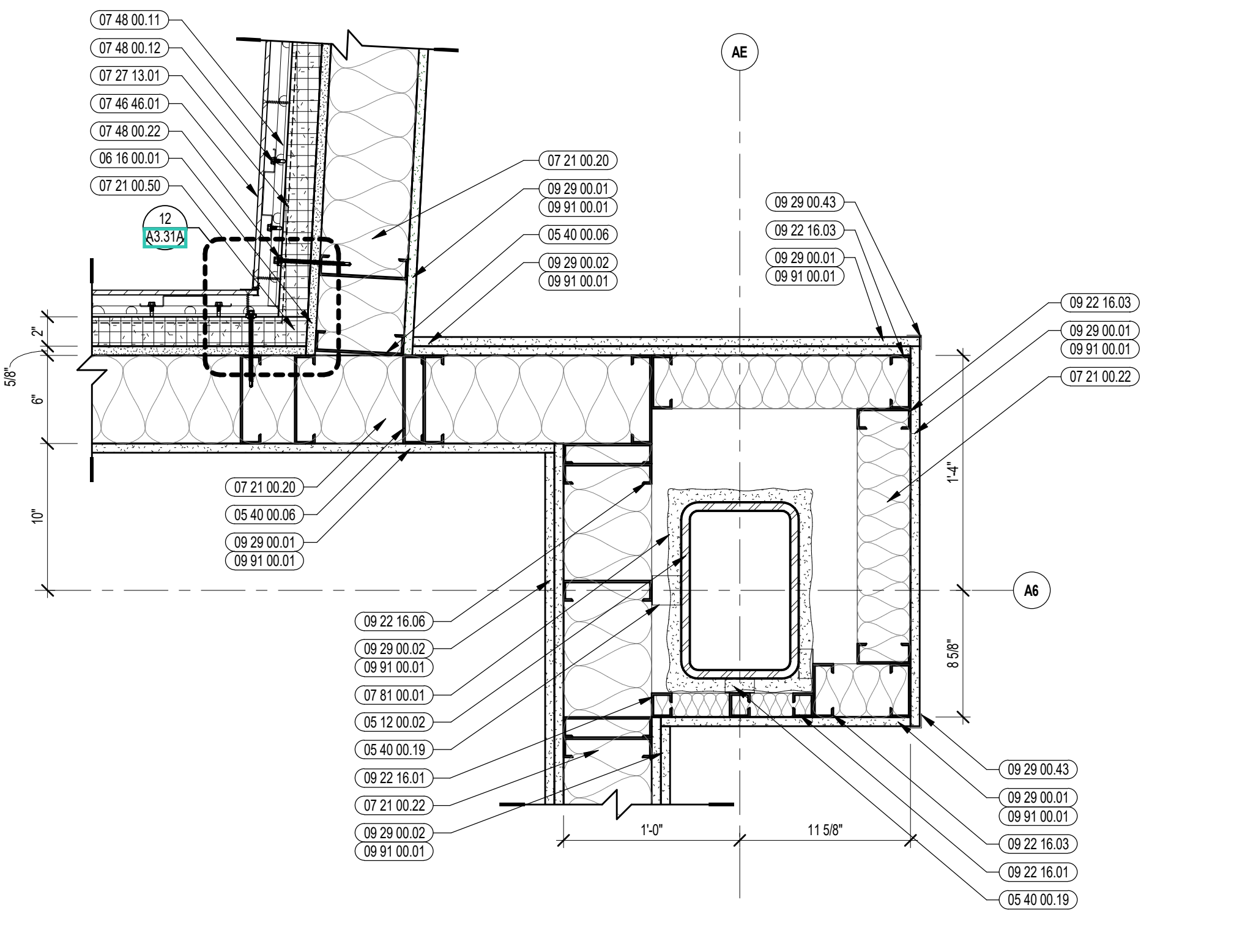
6 EXTERIOR PLAN DETAIL
1/12" = 1'-0"



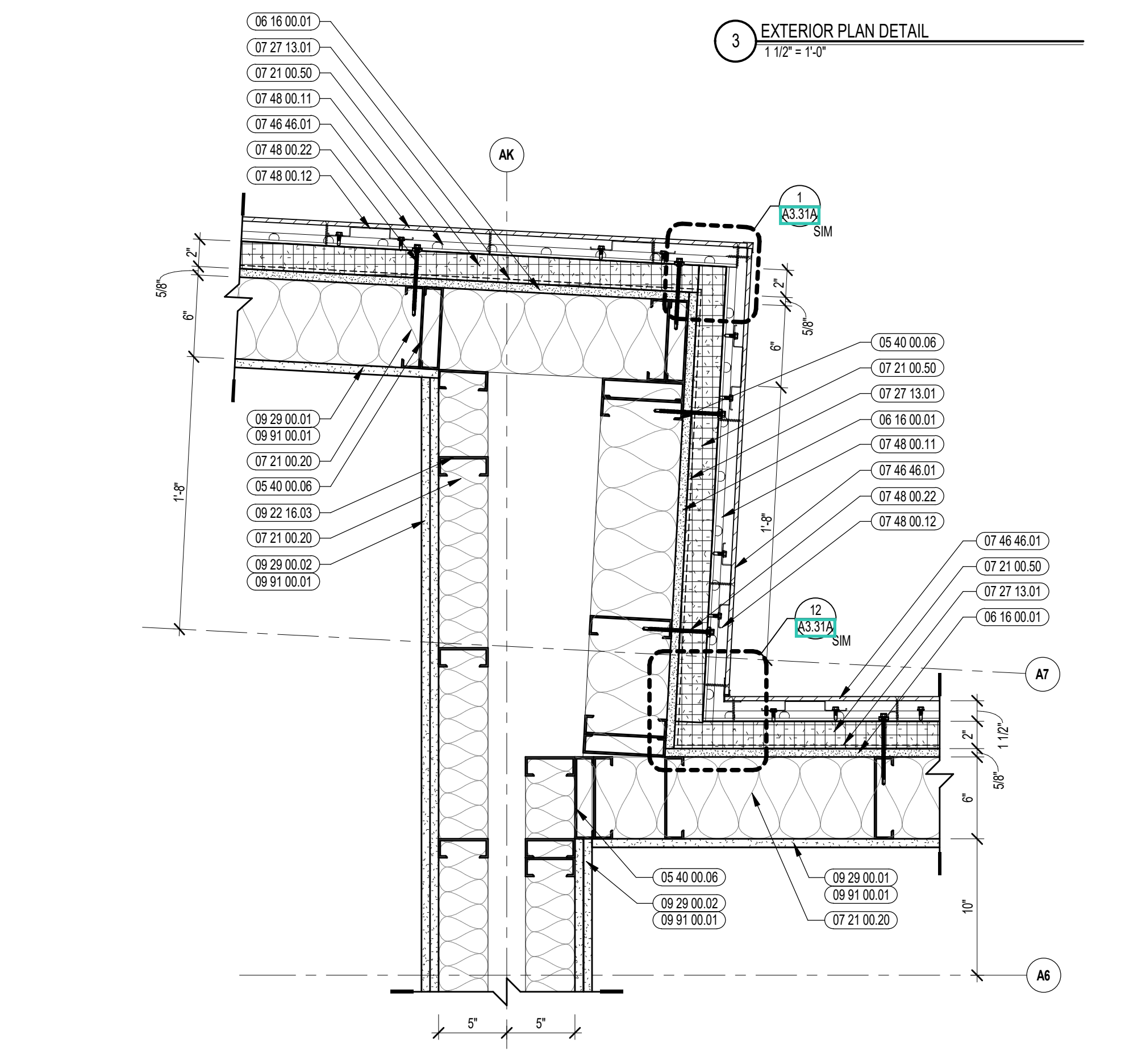
3 EXTERIOR PLAN DETAIL
1/12" = 1'-0"



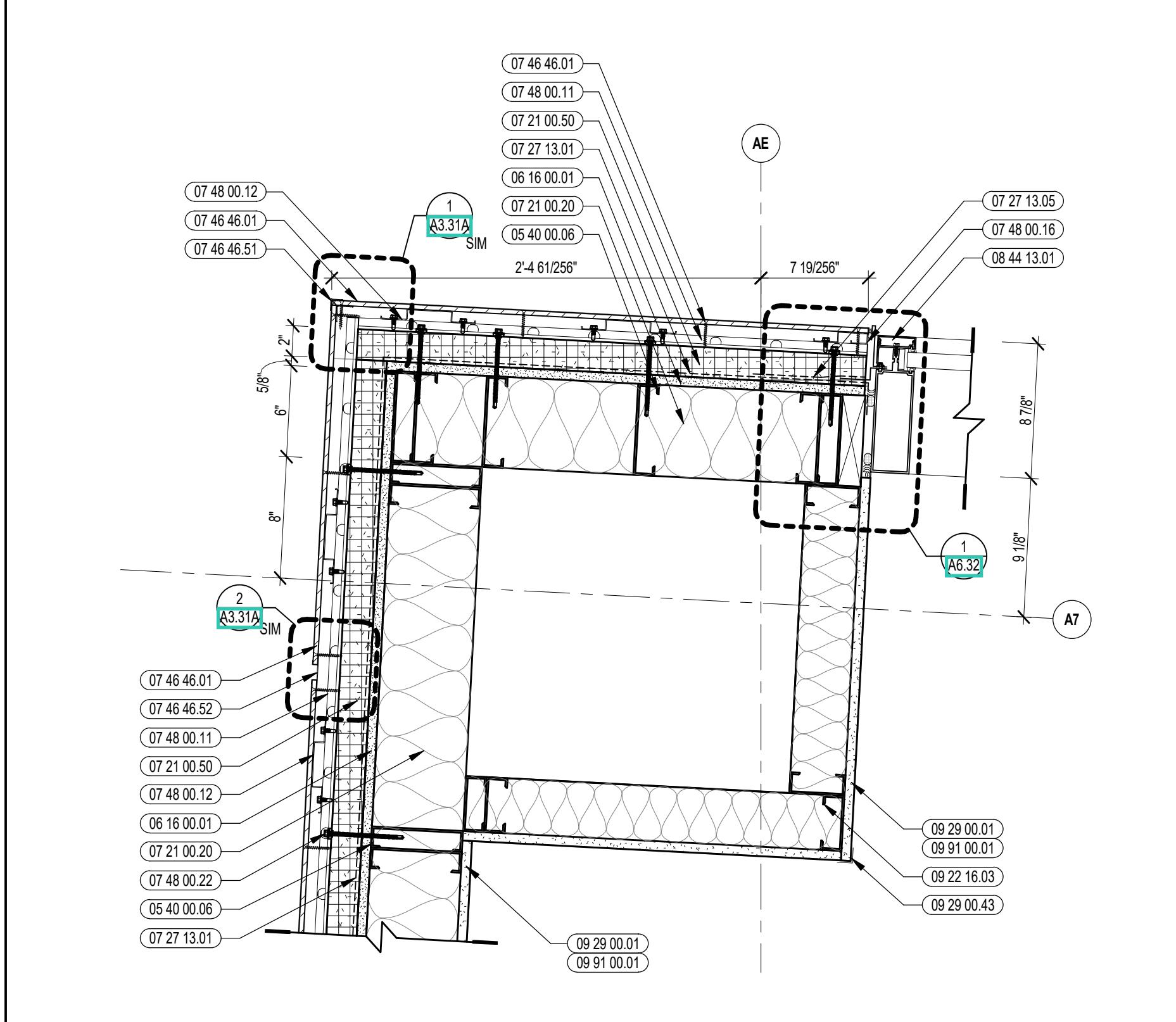
8 EXTERIOR PLAN DETAIL
1/12" = 1'-0"



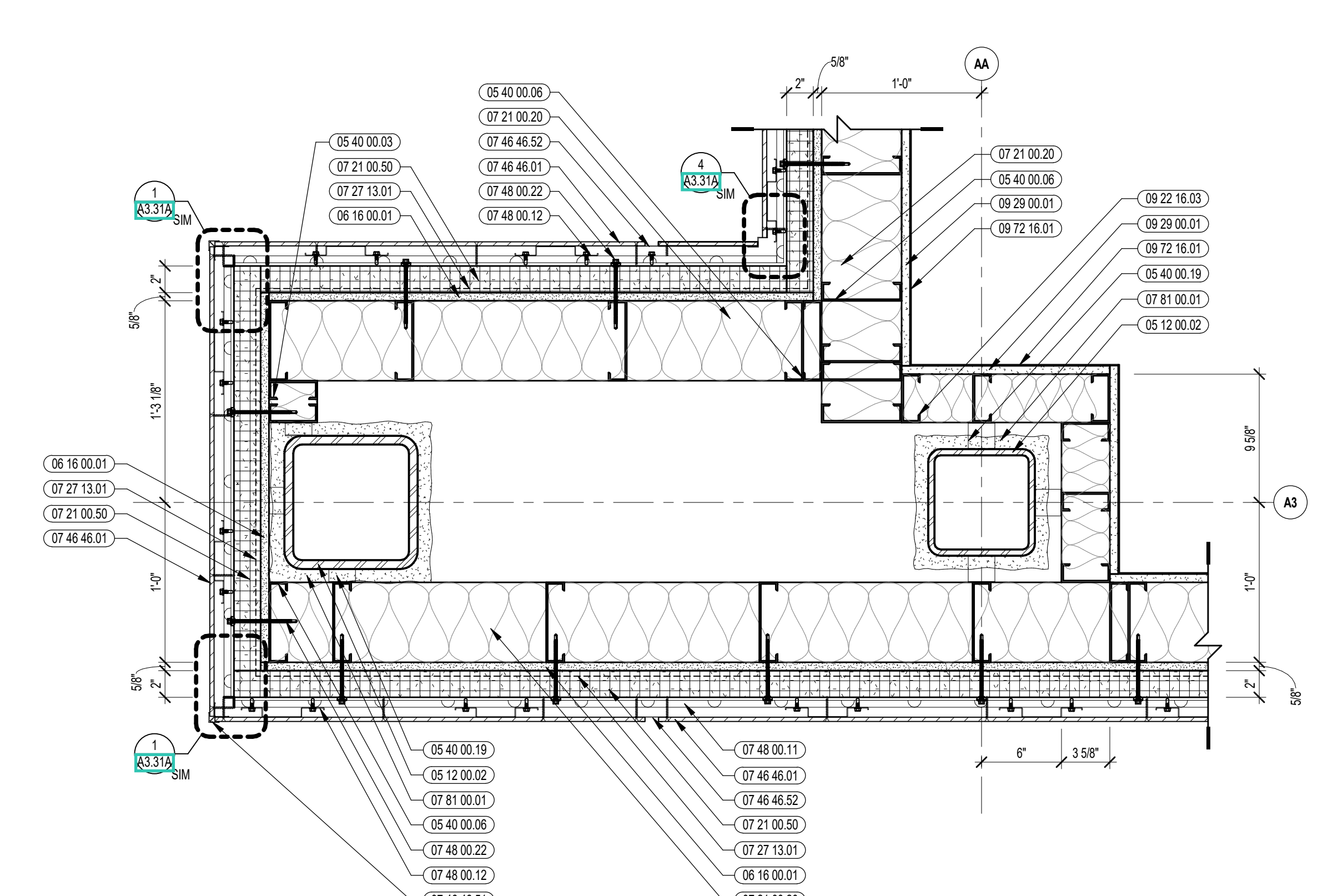
5 EXTERIOR PLAN DETAIL
1/12" = 1'-0"



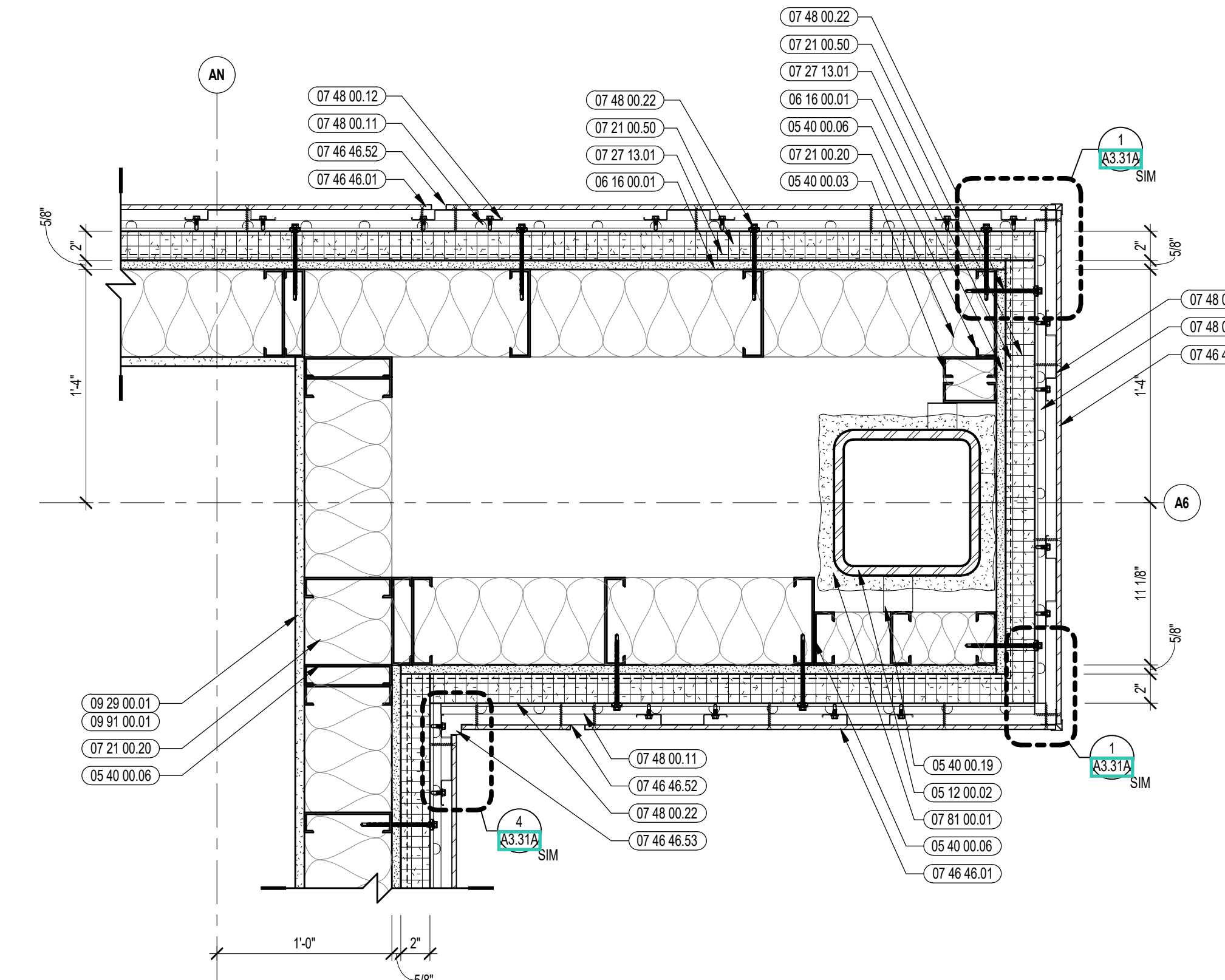
2 EXTERIOR PLAN DETAIL
1/12" = 1'-0"



7 EXTERIOR PLAN DETAIL
1/12" = 1'-0"

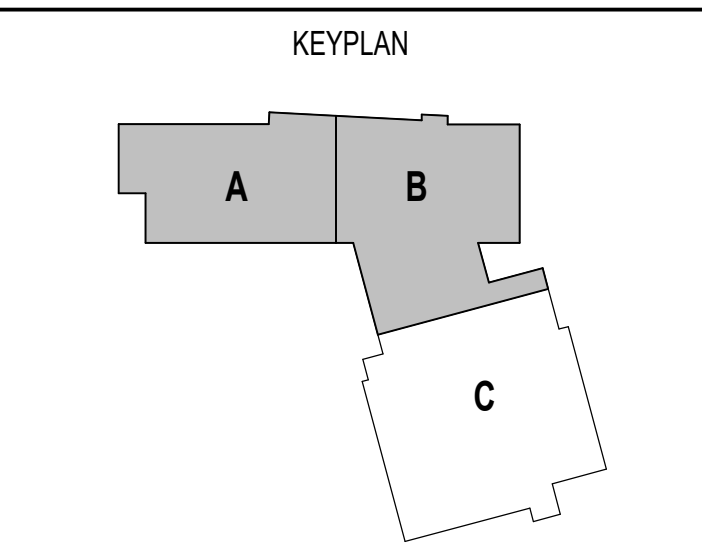
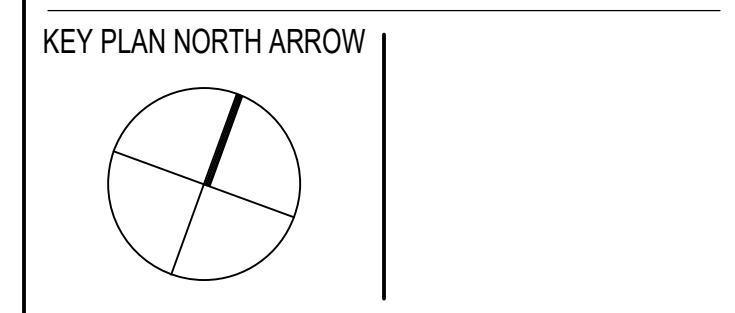


4 EXTERIOR PLAN DETAIL
1/12" = 1'-0"



1 EXTERIOR PLAN DETAIL
1/12" = 1'-0"

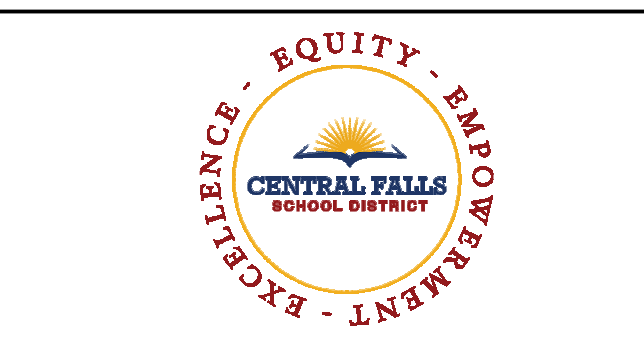
100% CONSTRUCTION DOCUMENTS



DRAWING NAME:

EXTERIOR PLAN DETAILS

DRAWN BY: MS / BFC
REVIEWED BY: CHR / KK
SCALE: AS INDICATED | DRAWING NUMBER: A5.41
JOB NO.: 2202.02
DATE: OCTOBER 13, 2023



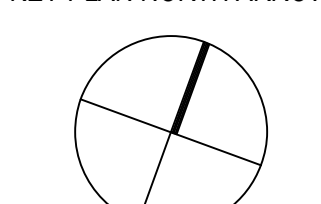
CENTRAL FALLS HIGH SCHOOL
10 HIGGINSON AVE, CENTRAL FALLS, RI

KEYNOTE LEGEND:

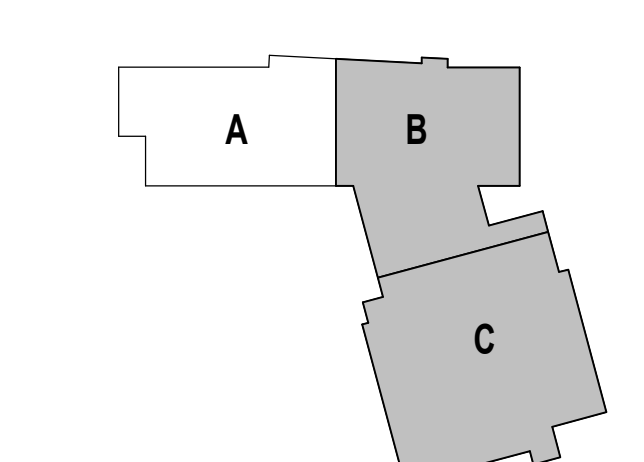
- 04.20.00.10 CMU BASE - GROUND FACE CMU - REFERENCE DETAILS FOR TYPE AND DEPTH
- 04.20.00.50 MASONRY MORTAR
- 04.20.00.51 GROUT FILL
- 04.20.00.61 TYPICAL MASONRY ANCHORTIES - REFERENCE SPECIFICATION FOR SPACING
- 04.20.00.64 SEALANT - TYPE AS REQUIRED
- 04.20.00.69 AIR SPACE - MAINTAIN CLEAR OF MORTAR
- 05.12.00.02 STEEL COLUMN - SEE STRUCTURAL
- 05.12.00.06 STEEL TUBE - SEE STRUCTURAL
- 05.40.00.01 STEEL STUDS - 1.58 INCH - 16 INCHES O.C. MAX
- 05.40.00.03 STEEL STUDS - 3.58 INCH - 16 INCHES O.C. MAX
- 05.40.00.06 STEEL STUDS - 8 INCH - 16 INCHES O.C. MAX
- 05.40.00.19 STEEL Z-CLIP - 1/2 INCH MIN. DEPTH - 1/8 INCHES O.C. MAX
- 06.16.00.01 WOOD BLOCKING - (2X) CONTINUOUS - PRESSURE TREATED - ROOF EDGE - SIZE AS NOTED OR DRAWN - STAGGER BOLTED TO ANGLE AT 32 INCHES O.C.
- 06.10.00.32 PLYWOOD - 1/2 INCH
- 06.16.00.01 GYPSUM EXTERIOR SHEATHING - 5/8 INCH
- 07.21.00.20 GLASS FIBER BLANKET INSULATION - MATCH DEPTH OF STUD - UNFACED
- 07.21.00.50 MINERAL WOOL INSULATION - RIGID - EXTERIOR - 2 INCH
- 07.27.13.01 AIRVAPOR BARRIER MEMBRANE - SELF-ADHERING
- 07.42.13.01 ALUMINUM PANEL - COLOR 1
- 07.46.46.01 MINERAL FIBER CEMENT PANEL - REFERENCE ELEVATIONS FOR COLOR
- 07.46.46.51 LOW PROFILE OUTSIDE CORNER
- 07.48.00.11 HORIZONTAL GIRT - REFER TO SHOP DRAWINGS FOR SIZE
- 07.48.00.12 VERTICAL PANEL RAIL - REFER TO SHOP DRAWINGS FOR SIZE
- 07.48.00.22 STAINLESS STEEL SELF-DRILLING SCREW WITH THERMAL ISOLATION
- 07.81.00.01 CEMENTITIOUS FIREPROOFING
- 08.44.13.01 ALUMINUM CURTAIN WALL FRAME
- 08.44.13.50 ALUMINUM BREAK METAL - 0.090 THICK MIN - CUSTOM COLOR TO MATCH CURTAIN WALL FRAMING
- 09.21.16.31 GYPSUM BOARD - 5/8 INCH TYPE X - 1 LAYER
- 09.21.16.32 GYPSUM BOARD - 5/8 INCH TYPE X - 2 LAYERS
- 09.22.16.03 METAL STUD 1.58 INCH - 16 INCHES O.C. MAX
- 09.22.16.06 METAL STUD 3.58 INCH - 16 INCHES O.C. MAX
- 09.22.16.09 METAL STUD 8 INCH - 16 INCHES O.C. MAX
- 09.22.16.19 METAL CLIP FOR WALL FRAMING - 1/8 INCH - 24 INCHES O.C. MAX
- 09.29.00.01 5/8 INCH GYPSUM BOARD - LEVEL 4 FINISH - 1 LAYER
- 09.29.00.02 5/8 INCH GYPSUM BOARD - LEVEL 4 FINISH - 2 LAYERS
- 09.29.00.04 5/8 INCH GYPSUM BOARD - LEVEL 4 FINISH - 2 LAYERS EACH SIDE
- 09.29.00.43 CORNER BEAD
- 09.72.16.01 VINYL WALL CLADDING - REFERENCE ELEVATIONS FOR TYPE
- 09.91.00.01 PAINT - SEE SCHEDULE

100% CONSTRUCTION DOCUMENTS

KEY PLAN NORTH ARROW



KEYPLAN



DRAWING NAME:

EXTERIOR PLAN DETAILS

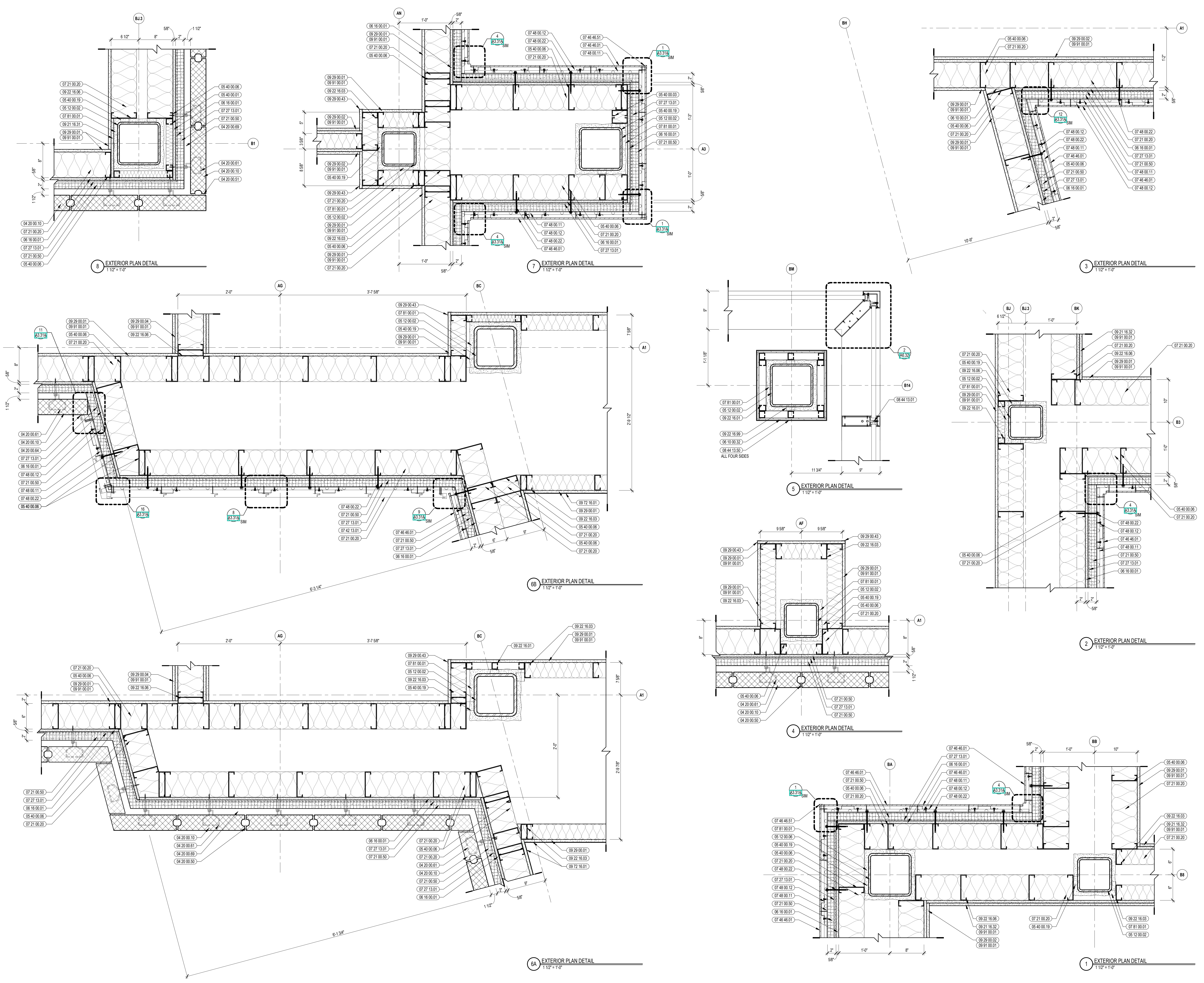
DRAWN BY: MS / BFC

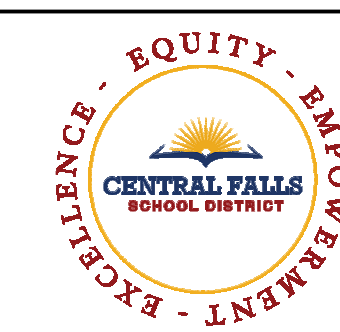
REVIEWED BY: CHR / KK

SCALE: AS INDICATED DRAWING NUMBER:

JOB NO.: 2202.02

DATE: OCTOBER 13, 2023 **A5.42**





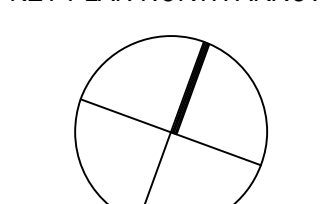
CENTRAL FALLS HIGH SCHOOL
10 HIGGINSON AVE, CENTRAL FALLS, RI

KEYNOTE LEGEND:

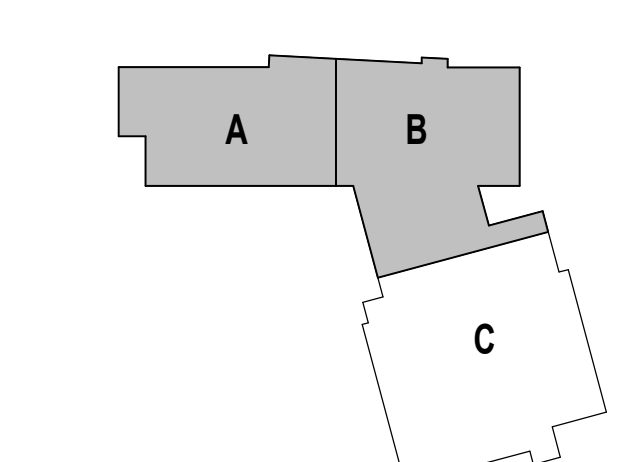
- 04 20 00 10 CMU BASE - GROUND FACE CMU - REFERENCE DETAILS FOR TYPE AND DEPTH
- 04 20 00 50 MASONRY MORTAR - SEE STRUCTURAL
- 04 20 00 61 TYPICAL MASONRY ANCHORTIES - REFERENCE SPECIFICATION FOR SPACING
- 04 20 00 69 AIR SPACE - MAINTAIN CLEAR OF MORTAR
- 05 12 00 02 STEEL COLLARS - SEE STRUCTURAL
- 05 40 00 01 STEEL STUDS - 1.58 INCH - 16 INCHES O.C. MAX
- 05 40 00 02 STEEL STUDS - 2.12 INCH - 16 INCHES O.C. MAX
- 05 40 00 03 STEEL STUDS - 3.58 INCH - 16 INCHES O.C. MAX
- 05 40 00 06 STEEL STUDS - 8 INCH - 16 INCHES O.C. MAX
- 05 40 00 19 STEEL Z-CUP - 16 GAGE MIN. - 1 INCH MIN. DEPTH - 16 INCHES O.C. MAX
- 06 10 00 21 WOOD BLOCKING - (2X) FIRE RETARDANT TREATED - SIZE AS NOTED OR DRAWN
- 06 16 00 01 GYPSUM EXTERIOR SHEATHING - 5/8 INCH
- 07 21 00 20 GLASS FIBER BLANKET INSULATION - MATCH DEPTH OF STUD - UNFACED
- 07 21 00 22 GLASS FIBER ACoustICAL BLANKET INSULATION - MATCH DEPTH OF STUD - UNFACED
- 07 21 00 50 MINERAL WOOL INSULATION - RIGID - EXTERIOR - 2 INCH
- 07 27 13 01 AIR VAPOR BARRIER MEMBRANE - SELF-ADHERING ELEVATIONS FOR COLOR
- 07 27 13 05 AIR VAPOR BARRIER TRANSITION MEMBRANE - SELF-ADHERING
- 07 46 46 01 MINERAL FIBER CEMENT PANEL - REFERENCE ELEVATIONS FOR COLOR
- 07 48 00 11 HORIZONTAL GIRT - REFER TO SHOP DRAWINGS FOR SIZE
- 07 48 00 12 VERTICAL PANEL RAIL - REFER TO SHOP DRAWINGS FOR SIZE
- 07 48 00 16 VERTICAL TERMINATION GIRT - REFER TO SHOP DRAWINGS FOR SIZE
- 07 48 00 22 STAINLESS STEEL SELF-DRILLING SCREW WITH THERMAL ISOLATION
- 07 81 00 01 CEMENTITIOUS FIREPROOFING
- 08 43 13 01 ALUMINUM STOREFRONT FRAME
- 08 43 13 20 SEALANT & BACKER ROD
- 08 43 13 31 SUB-FRAME / RECEPTOR
- 09 21 16 02 GYPSUM BOARD - 5/8 INCH TYPE X - 2 LAYERS
- 09 22 16 02 METAL STUD 2-1/2 INCH - 16 INCHES O.C. MAX
- 09 22 16 03 METAL STUD 3-5/8 INCH - 16 INCHES O.C. MAX
- 09 22 16 06 METAL STUD 6 INCH - 16 INCHES O.C. MAX
- 09 29 00 01 5/8 INCH GYPSUM BOARD - LEVEL 4 FINISH - 1 LAYER
- 09 29 00 02 5/8 INCH GYPSUM BOARD - LEVEL 4 FINISH - 2 LAYERS
- 09 29 00 43 CORNER BEAD
- 09 91 00 01 PAINT - SEE SCHEDULE
- 10 28 41 01 BULLET RESISTANT PANEL - LEVEL 4 - UL 752

100% CONSTRUCTION DOCUMENTS

KEY PLAN NORTH ARROW



KEYPLAN



DRAWING NAME:

EXTERIOR PLAN DETAILS

DRAWN BY: MS / BFC

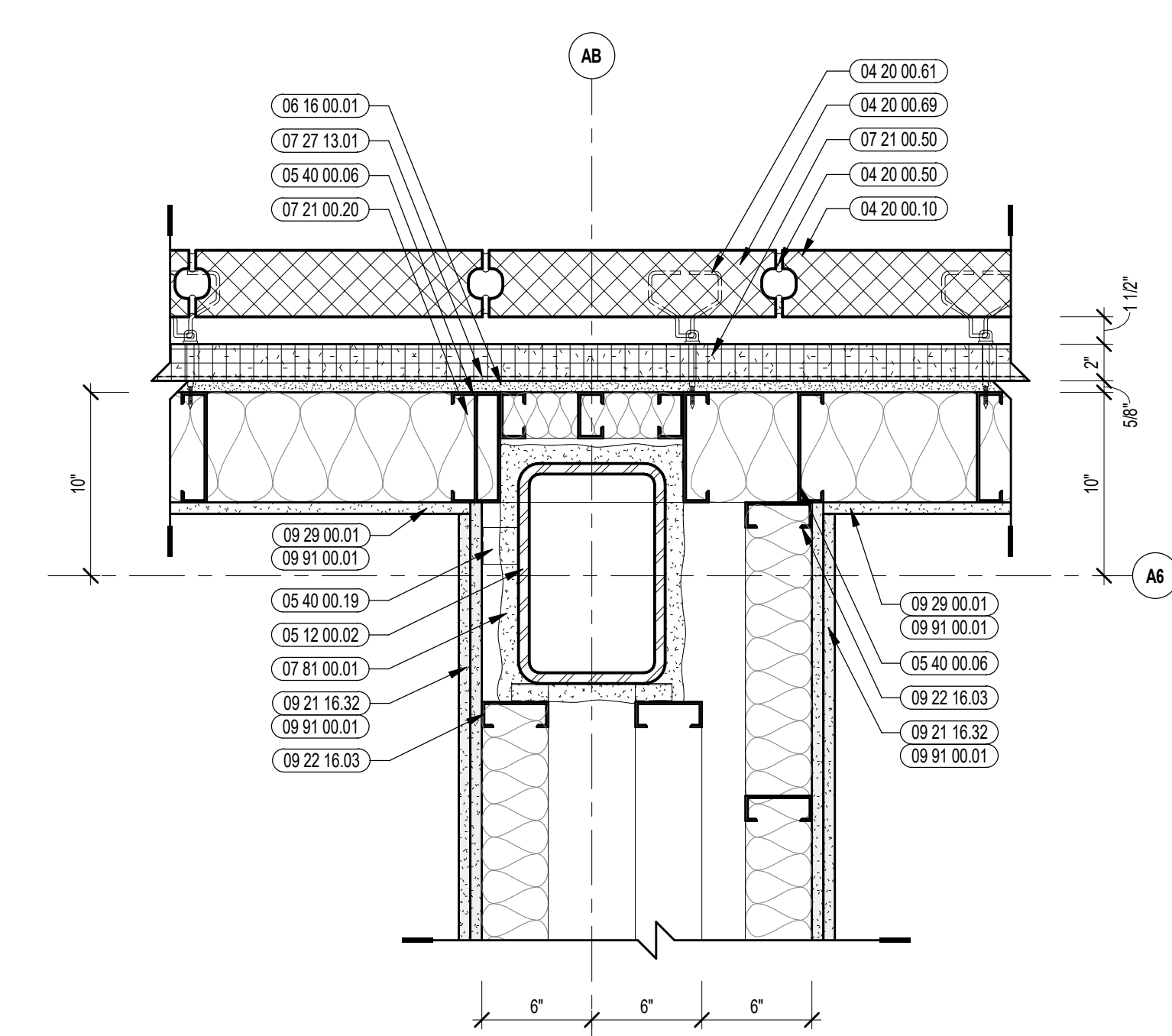
REVIEWED BY: CHR / KK

SCALE: AS INDICATED / DRAWING NUMBER:

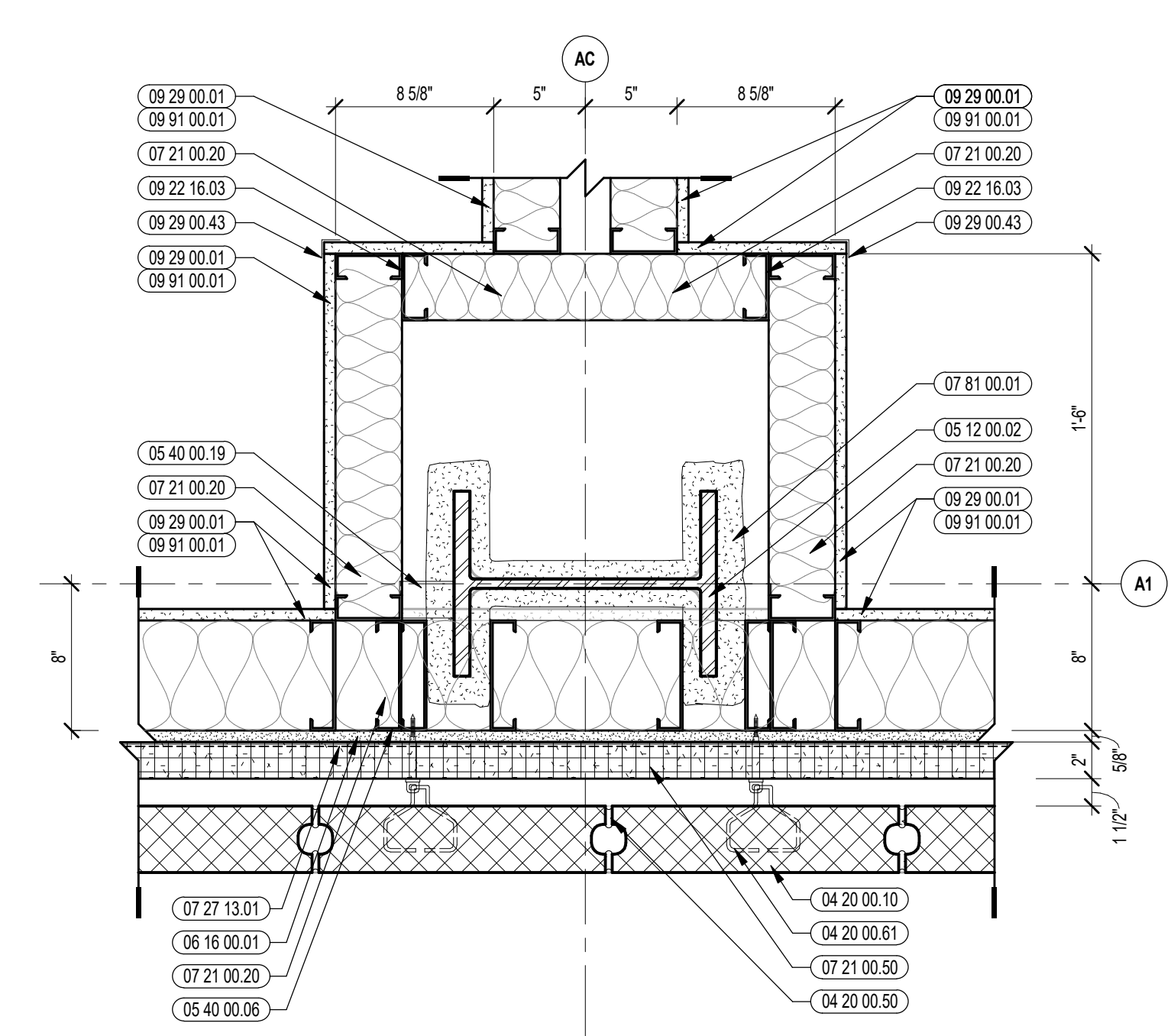
JOB NO.: 2202.02

DATE: OCTOBER 13, 2023

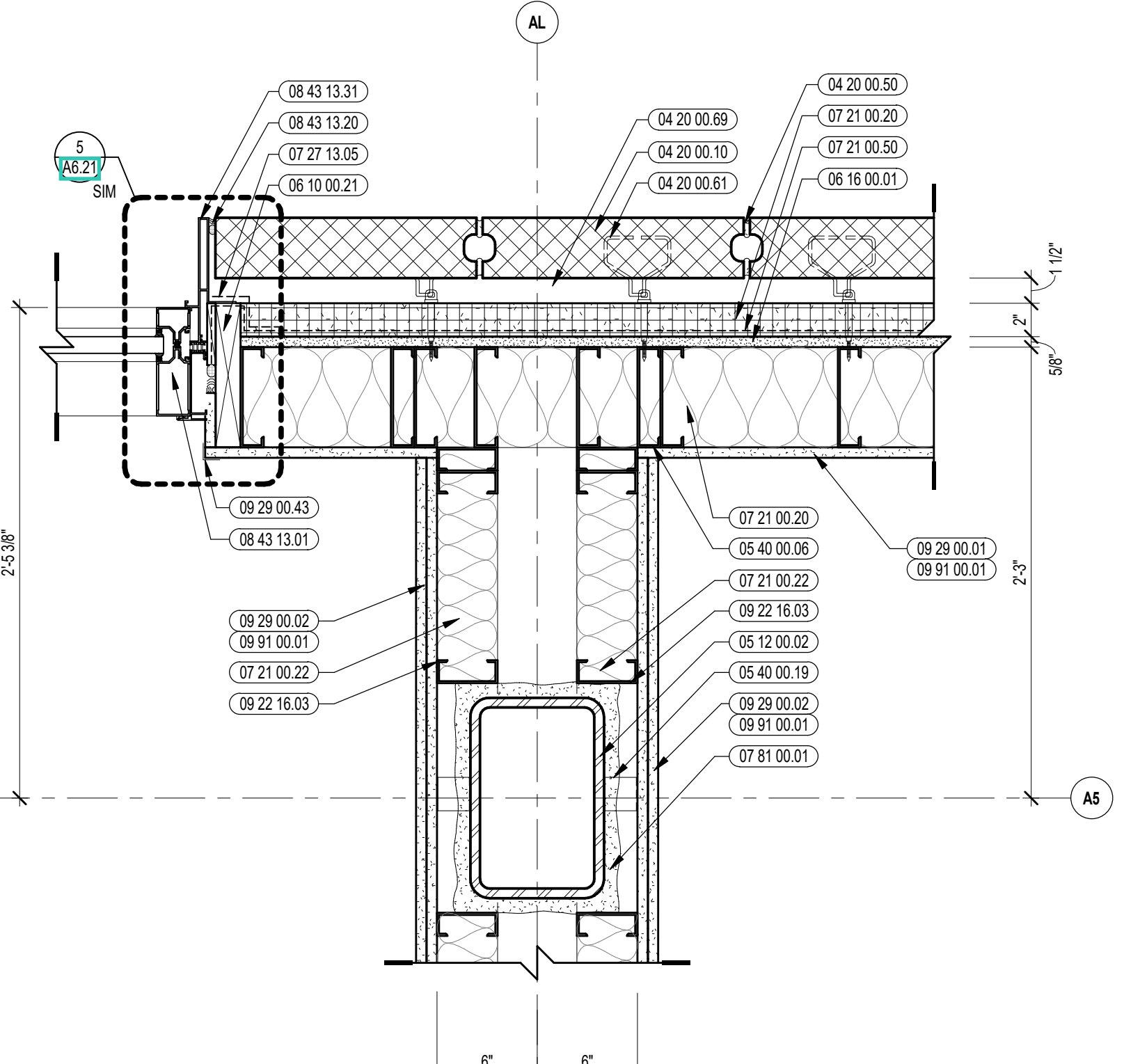
A5.43



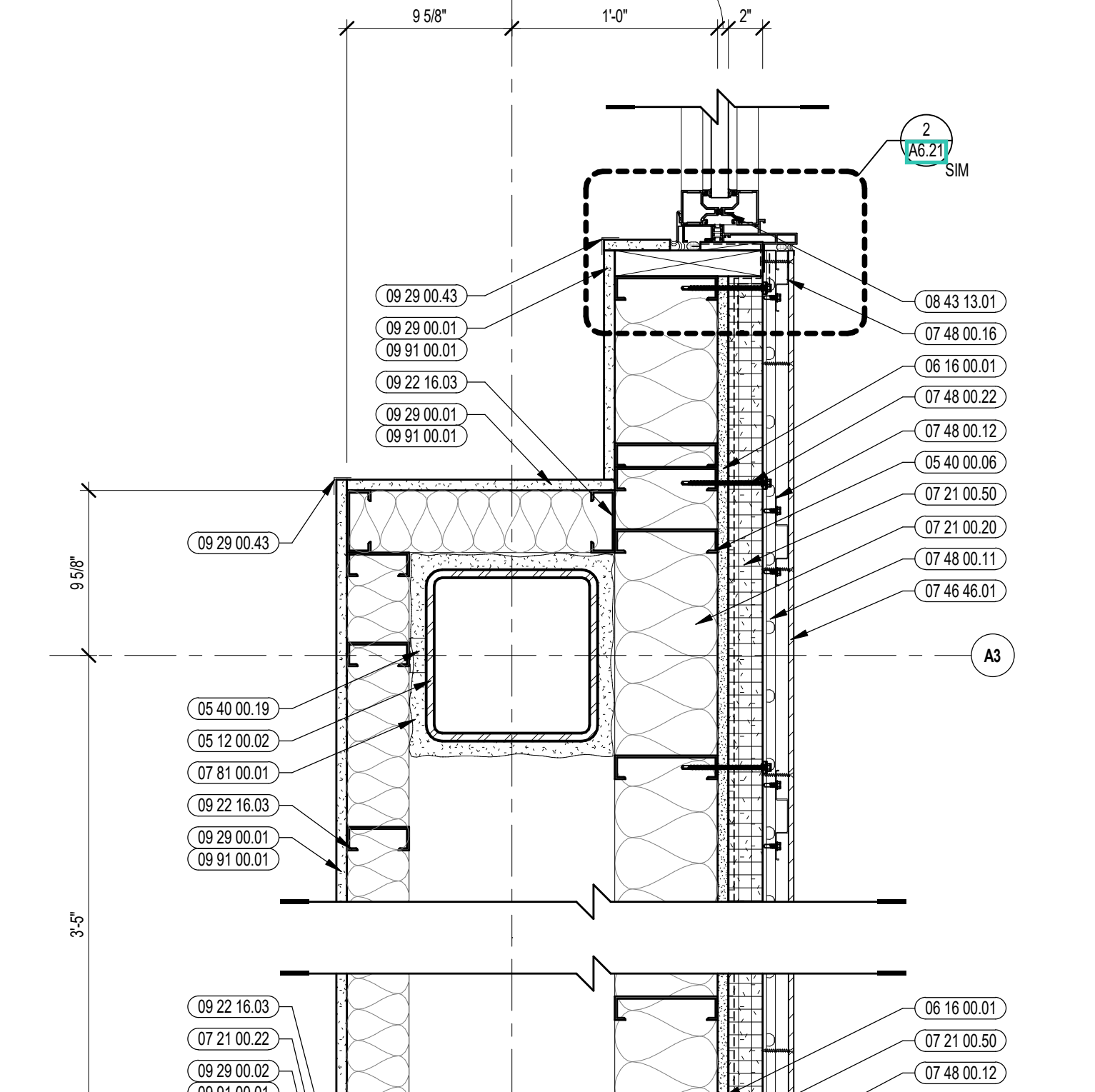
3 EXTERIOR PLAN DETAIL
1/12" = 1'-0"



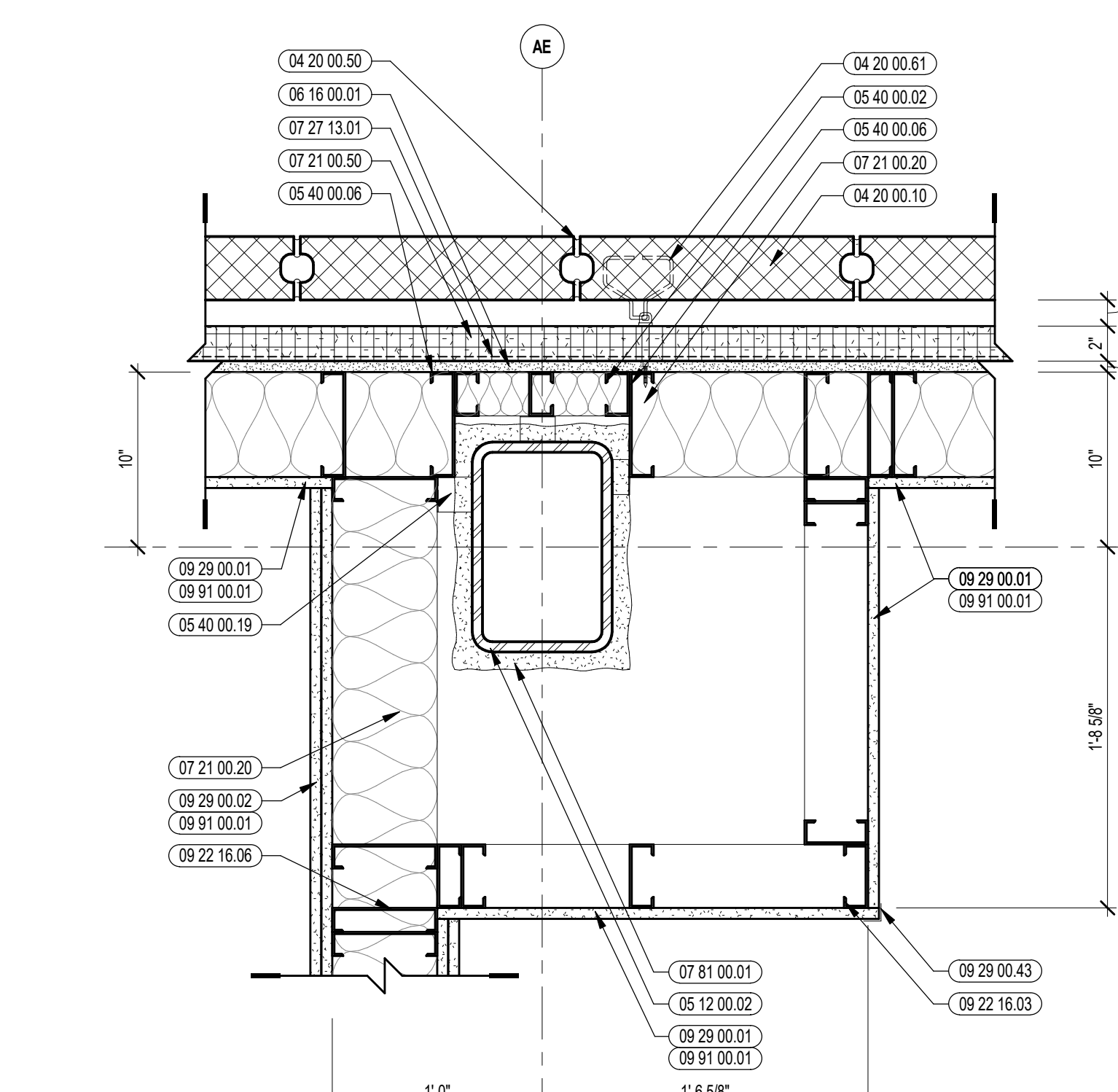
6 EXTERIOR PLAN DETAIL
1/12" = 1'-0"



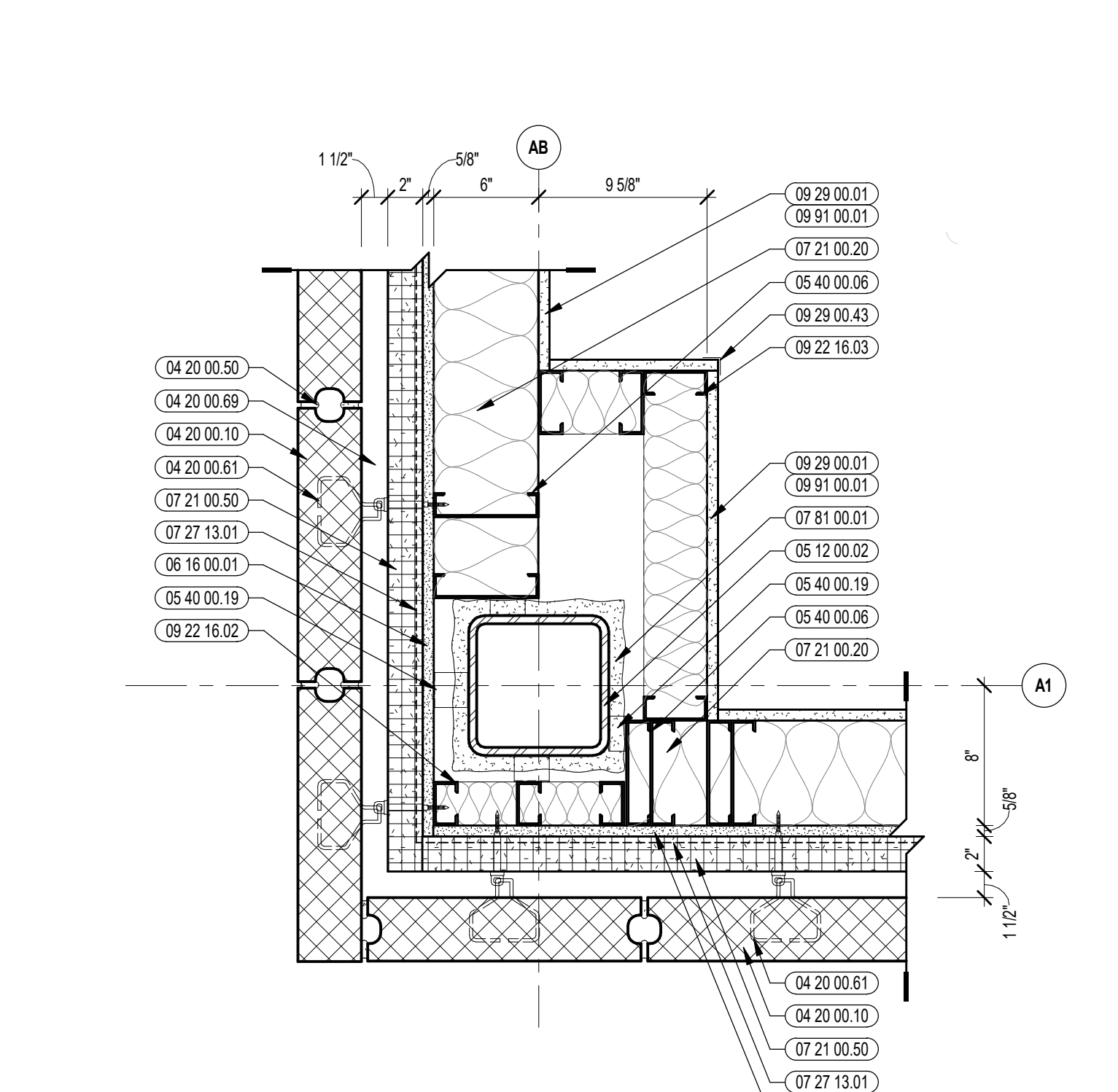
9 EXTERIOR PLAN DETAIL
1/12" = 1'-0"



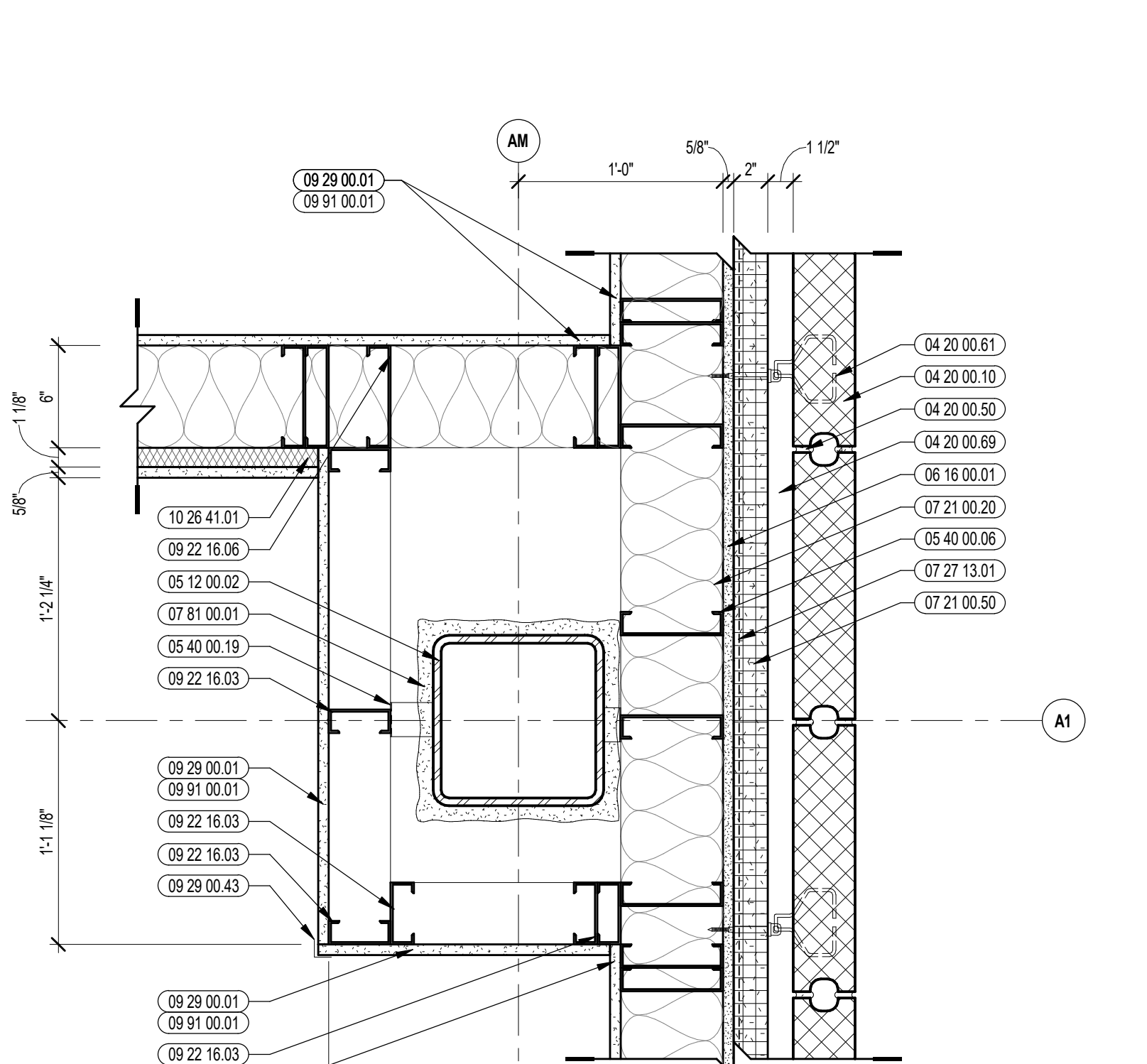
10 EXTERIOR PLAN DETAIL
1/12" = 1'-0"



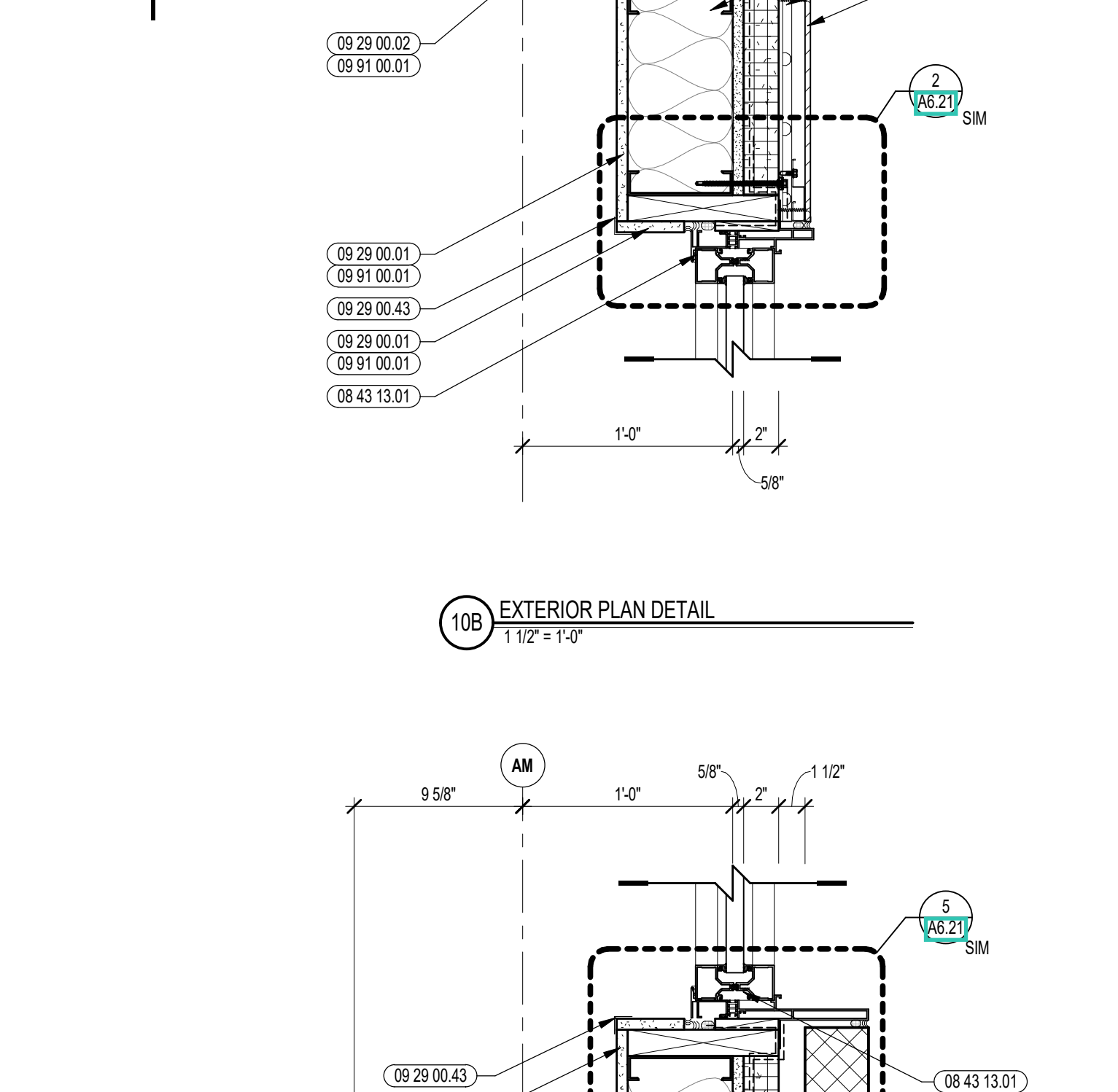
2 EXTERIOR PLAN DETAIL
1/12" = 1'-0"



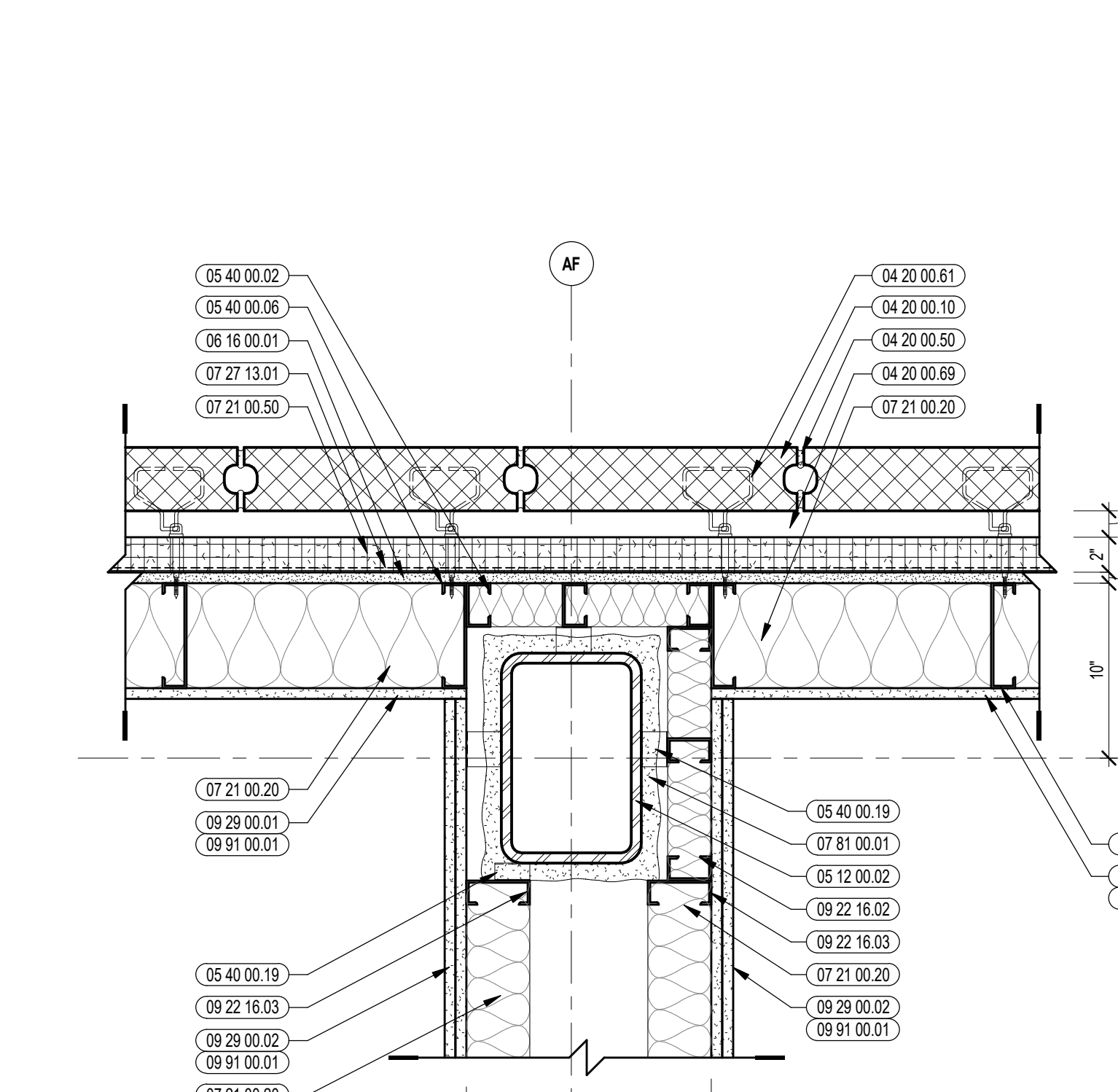
5 EXTERIOR PLAN DETAIL
1/12" = 1'-0"



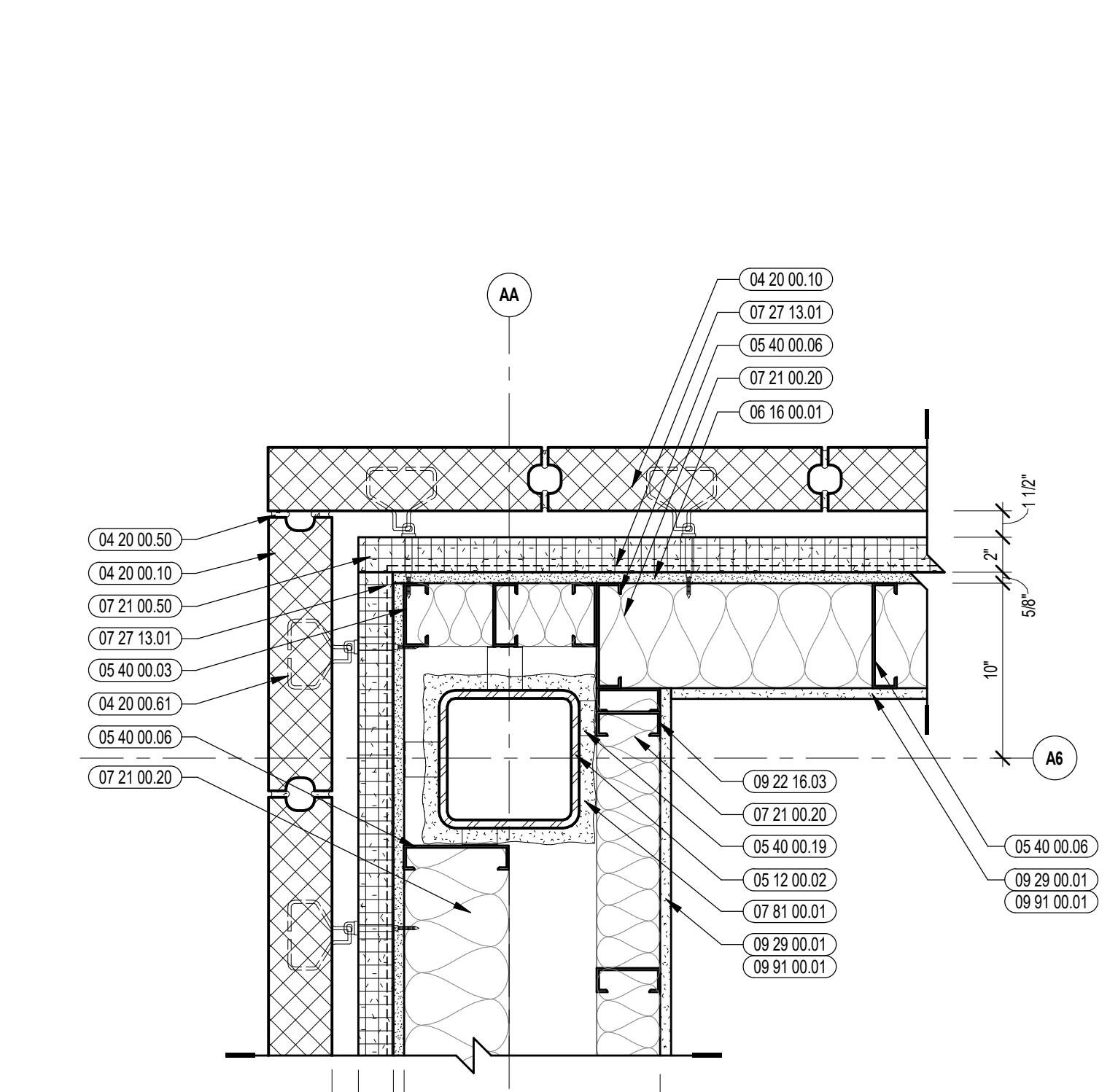
8 EXTERIOR PLAN DETAIL
1/12" = 1'-0"



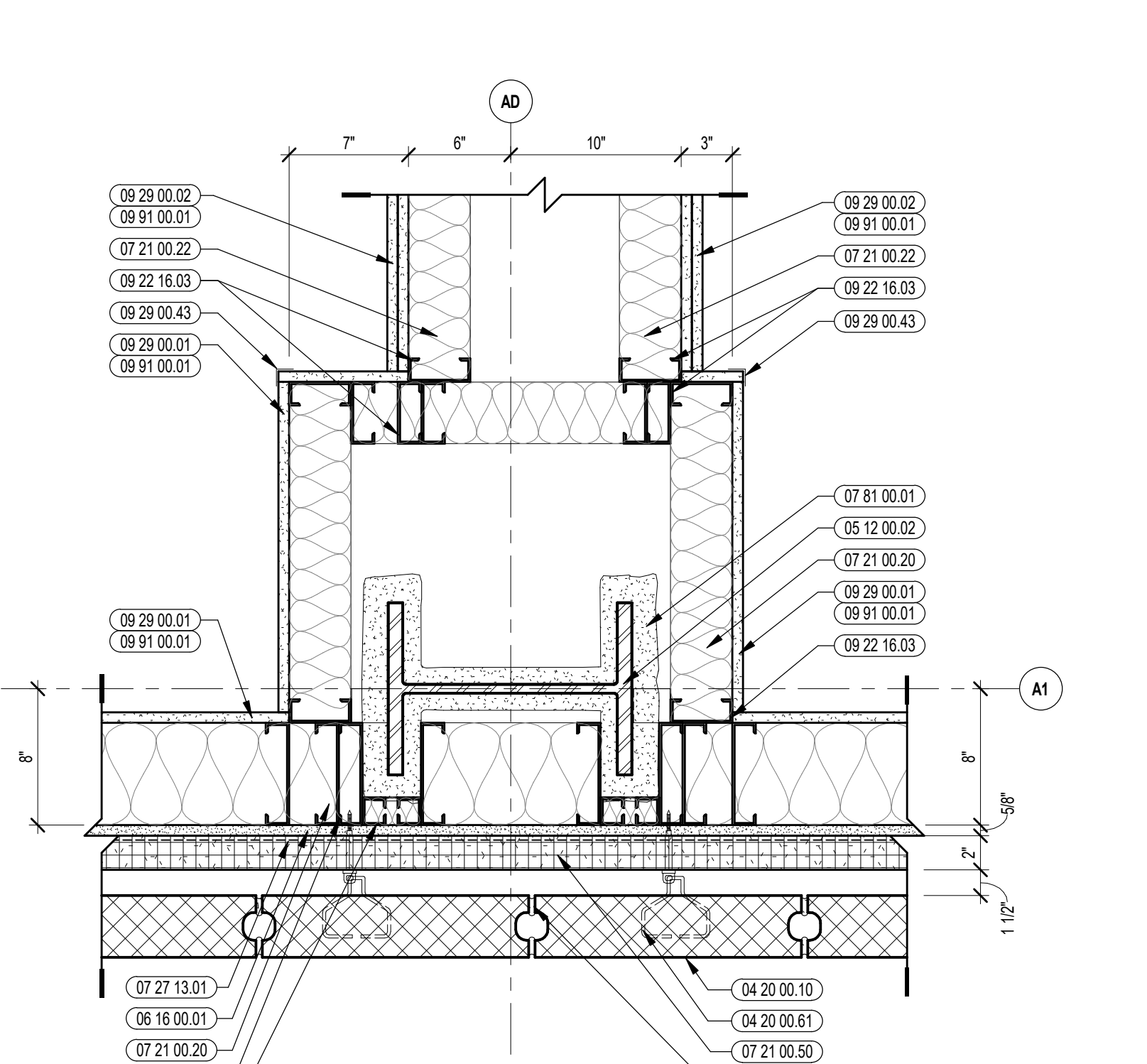
10A EXTERIOR PLAN DETAIL
1/12" = 1'-0"



1 EXTERIOR PLAN DETAIL
1/12" = 1'-0"



4 EXTERIOR PLAN DETAIL
1/12" = 1'-0"



7 EXTERIOR PLAN DETAIL
1/12" = 1'-0"



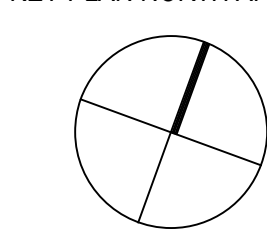
CENTRAL FALLS HIGH SCHOOL
10 HIGGINSON AVE, CENTRAL FALLS, RI

KEYNOTE LEGEND:

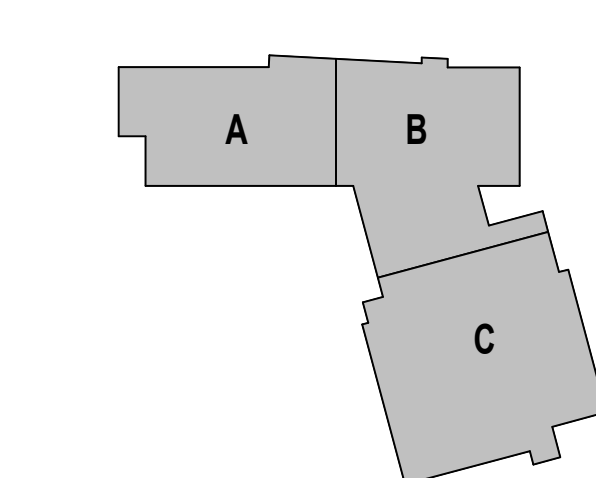
- 04 20 00 10 CMU BASE - GROUND FACE CMU - REFERENCE DETAILS FOR TYPE AND DEPTH
- 04 20 00 50 MASONRY MORTAR
- 04 20 00 61 TYPICAL MASONRY ANCHORTIES - REFERENCE SPECIFICATION FOR SPACING
- 04 20 00 69 AIR SPACE - MAINTAIN CLEAR OF MORTAR
- 05 12 00 02 STEEL COLUMN - SEE STRUCTURAL
- 05 40 00 03 STEEL STUDS - 3/8" INCH - 16 INCHES O.C. MAX
- 05 40 00 06 STEEL STUDS - 6 INCH - 16 INCHES O.C. MAX
- 05 40 00 19 STEEL Z-CLIP - 16 GAGE MIN. - 1 INCH MIN. DEPTH - 16 INCHES O.C. MAX
- 06 16 00 01 GYPSUM EXTERIOR SHEATHING - 5/8 INCH
- 07 21 00 20 GLASS FIBER BLANKET INSULATION - MATCH DEPTH OF STUD - UNFACED
- 07 21 00 22 GLASS FIBER ACOUSTICAL BLANKET INSULATION - MATCH DEPTH OF STUD - UNFACED
- 07 21 00 50 MINERAL WOOL INSULATION - RIGID - EXTERIOR - 2 INCH
- 07 27 13 01 AIR/VAPOR BARRIER MEMBRANE - SELF-ADHERING
- 07 42 13 01 ALUMINUM PANEL - COLOR 1
- 07 42 13 11 ALUMINUM PANEL ATTACHMENTS
- 07 46 46 01 MINERAL FIBER CEMENT PANEL - REFERENCE ELEVATIONS FOR COLOR
- 07 48 00 11 HORIZONTAL GRIT - REFER TO SHOP DRAWINGS FOR SIZE
- 07 48 00 12 VERTICAL PANEL RAIL - REFER TO SHOP DRAWINGS FOR SIZE
- 07 48 00 22 STAINLESS STEEL SELF-DRILLING SCREW WITH THERMAL ISOLATION
- 07 81 00 01 CEMENTITIOUS FIREPROOFING
- 08 43 13 01 ALUMINUM STOREFRONT FRAME
- 08 43 13 20 SEALANT & BACKER ROD
- 08 43 13 31 SUB-FRAME / RECEPTOR
- 08 43 15 01 BULLET-RESISTANT ALUMINUM FRAMED STOREFRONT
- 09 22 16 02 METAL STUD 1/2 INCH - 16 INCHES O.C. MAX
- 09 22 16 03 METAL STUD 3/8 INCH - 16 INCHES O.C. MAX
- 09 22 16 06 METAL STUD 6 INCH - 16 INCHES O.C. MAX
- 09 29 00 01 5/8 INCH GYPSUM BOARD - LEVEL 4 FINISH - 1 LAYER
- 09 29 00 02 5/8 INCH GYPSUM BOARD - LEVEL 4 FINISH - 2 LAYERS
- 09 29 00 43 CORNER BEAD
- 09 72 16 01 VINYL WALL CLADDING - REFERENCE ELEVATIONS FOR TYPE
- 09 91 00 01 PAINT - SEE SCHEDULE
- 10 26 41 01 BULLET RESISTANT PANEL - LEVEL 4 - UL 752

100% CONSTRUCTION DOCUMENTS

KEY PLAN NORTH ARROW



KEYPLAN



DRAWING NAME:

EXTERIOR PLAN DETAILS

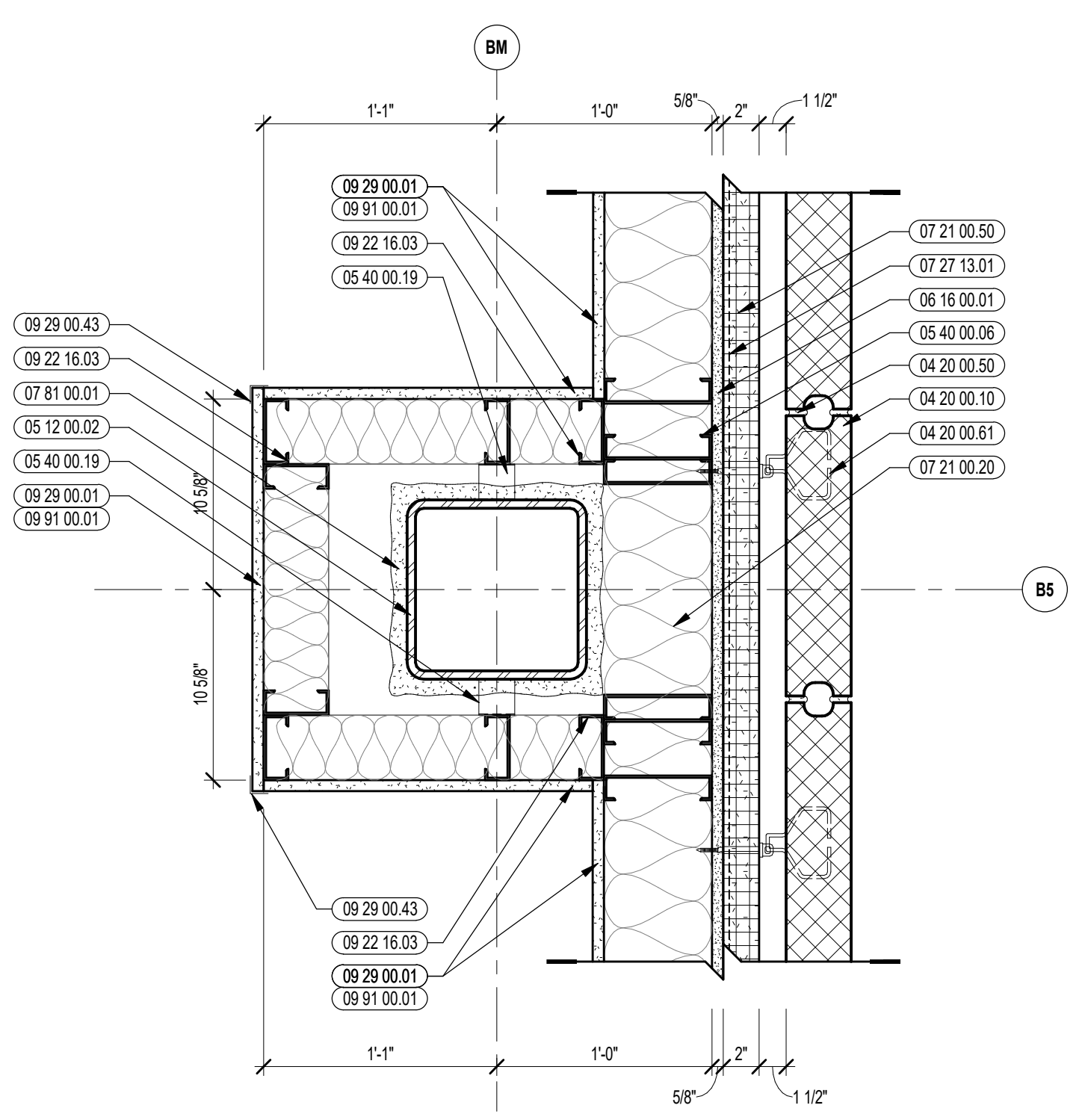
DRAWN BY: MS / BFC

REVIEWED BY: CHR/KK

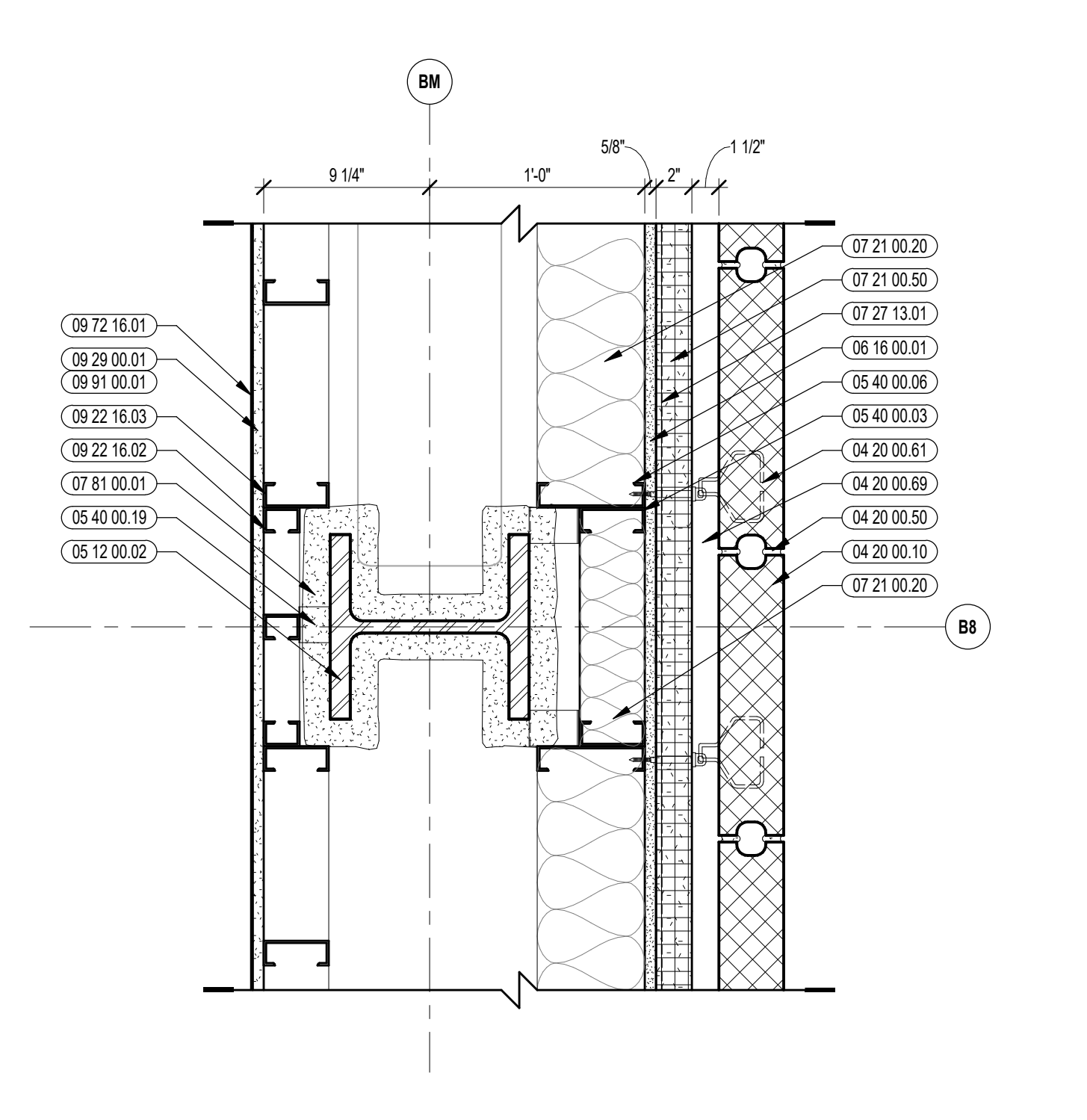
SCALE: AS INDICATED DRAWING NUMBER:

JOB NO.: 2202.02

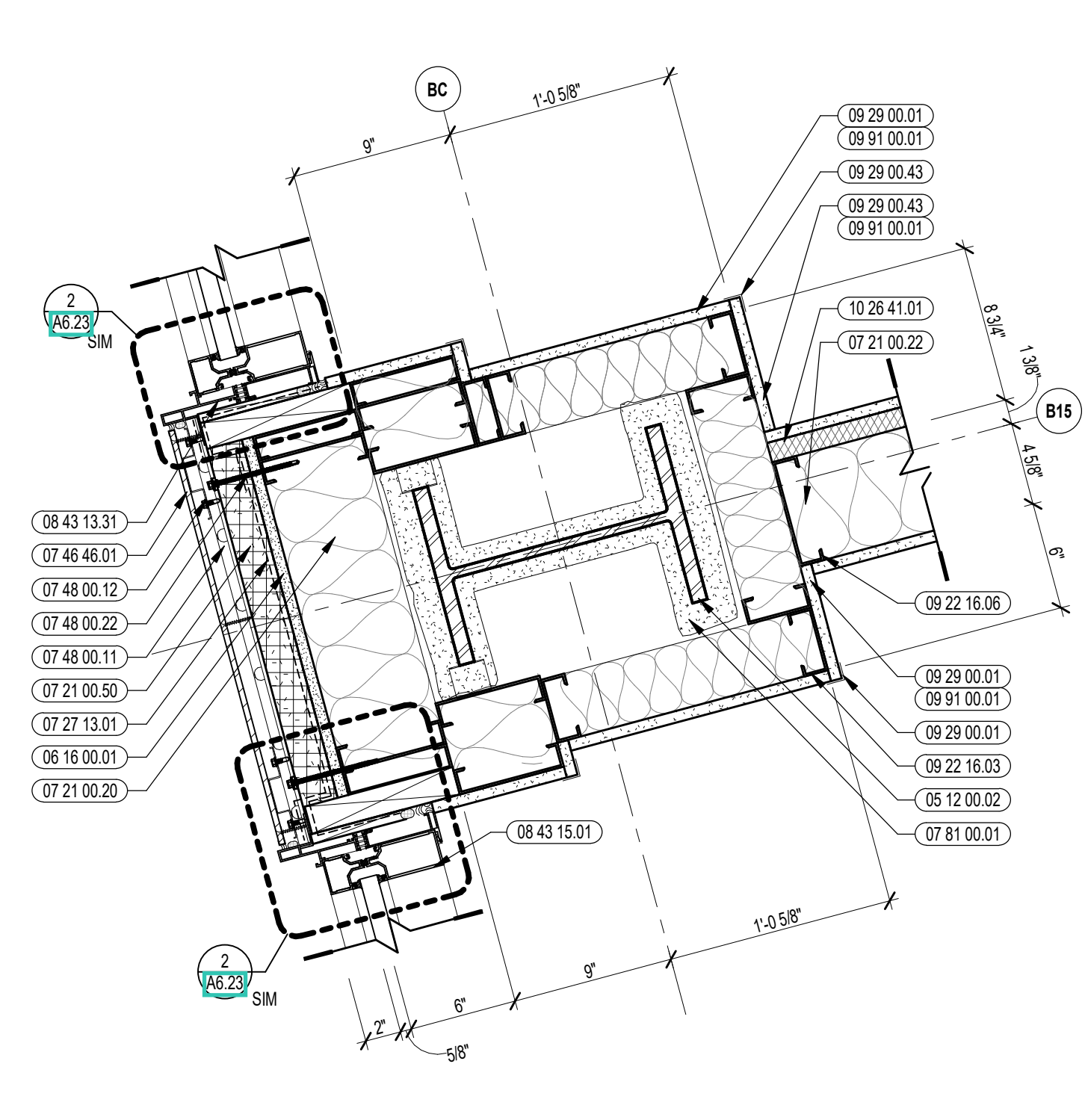
DATE: OCTOBER 13, 2023 **A5.44**



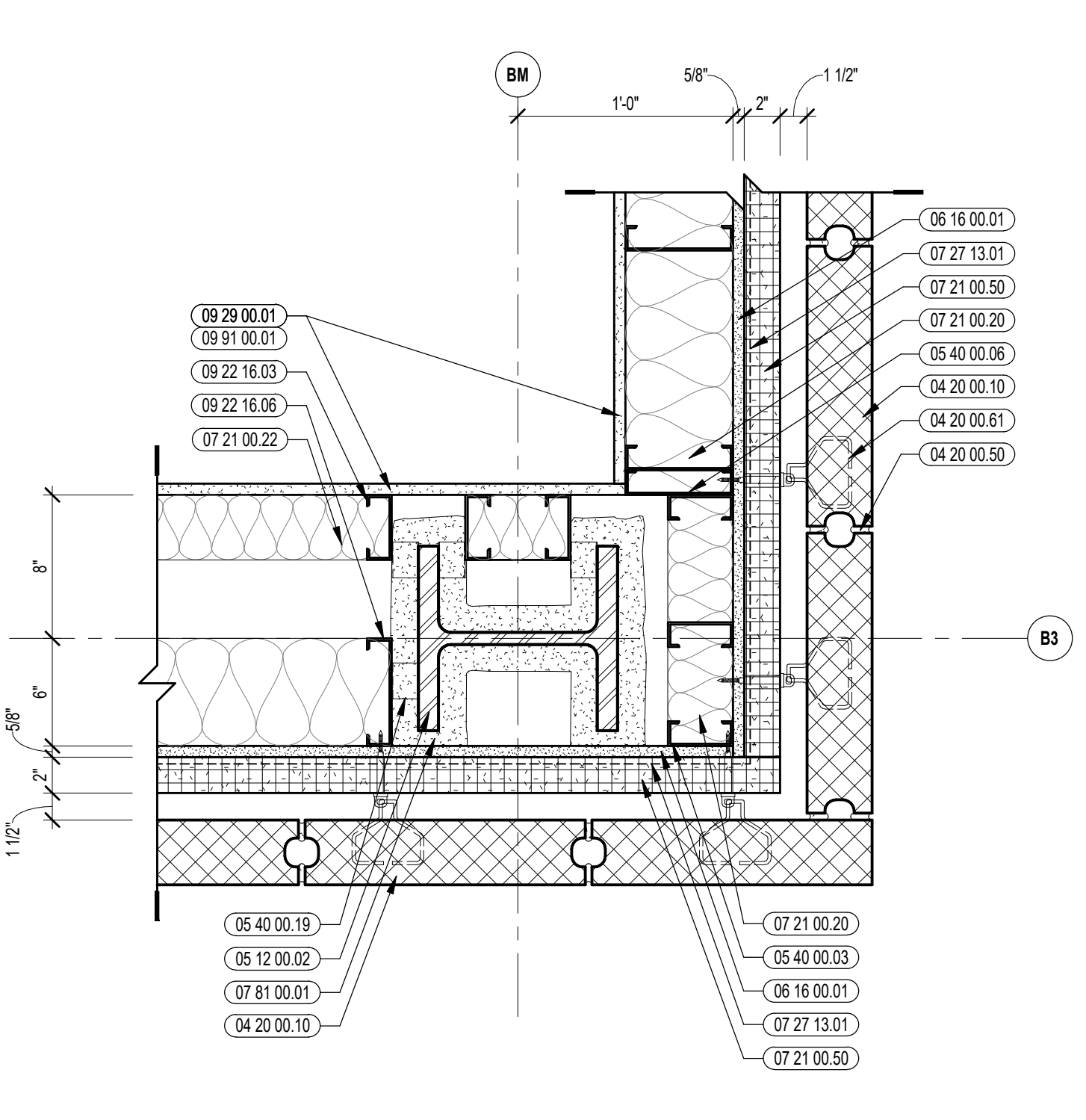
7 EXTERIOR PLAN DETAIL
1 1/2" = 1'-0"



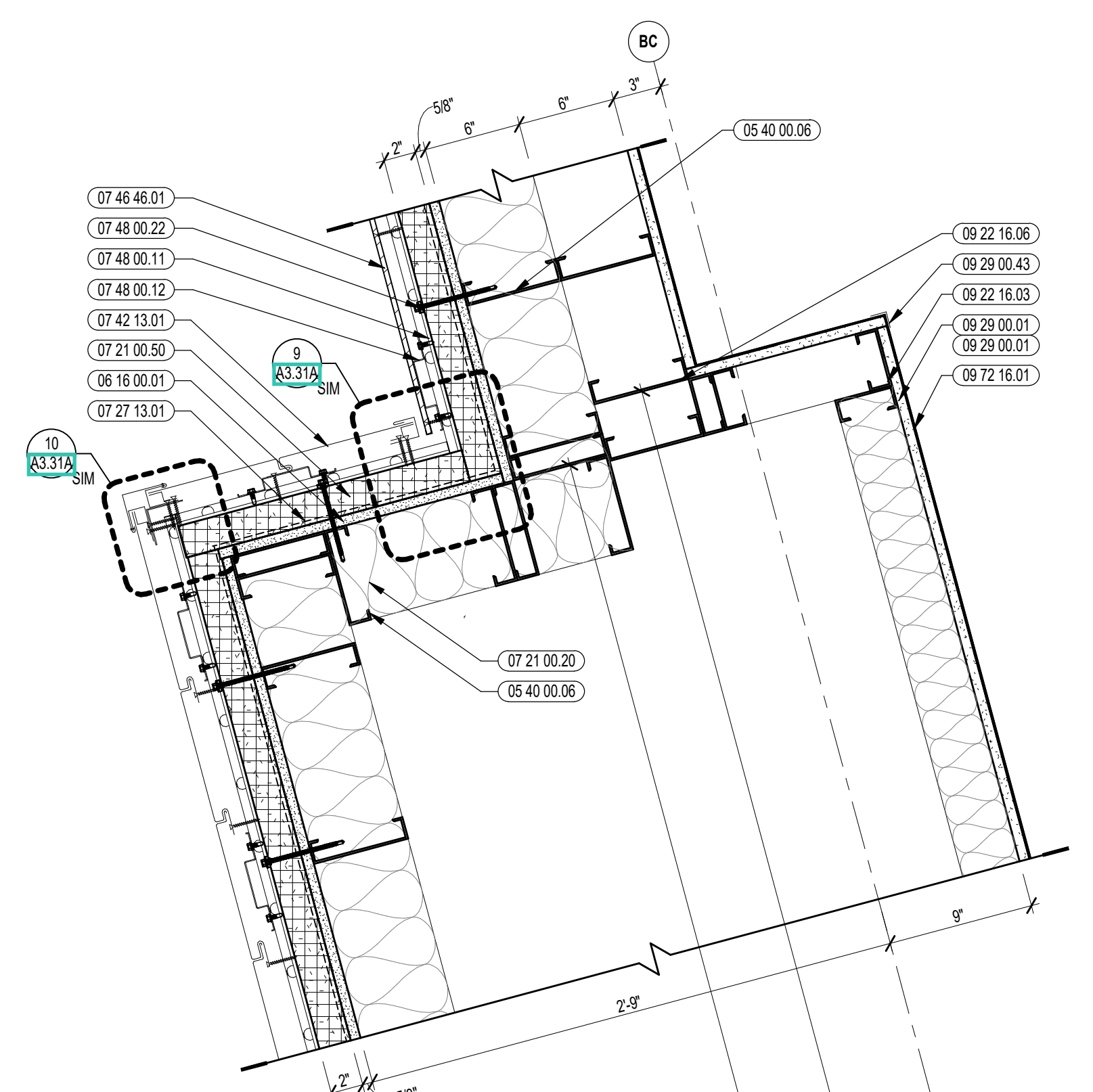
6 EXTERIOR PLAN DETAIL
1 1/2" = 1'-0"



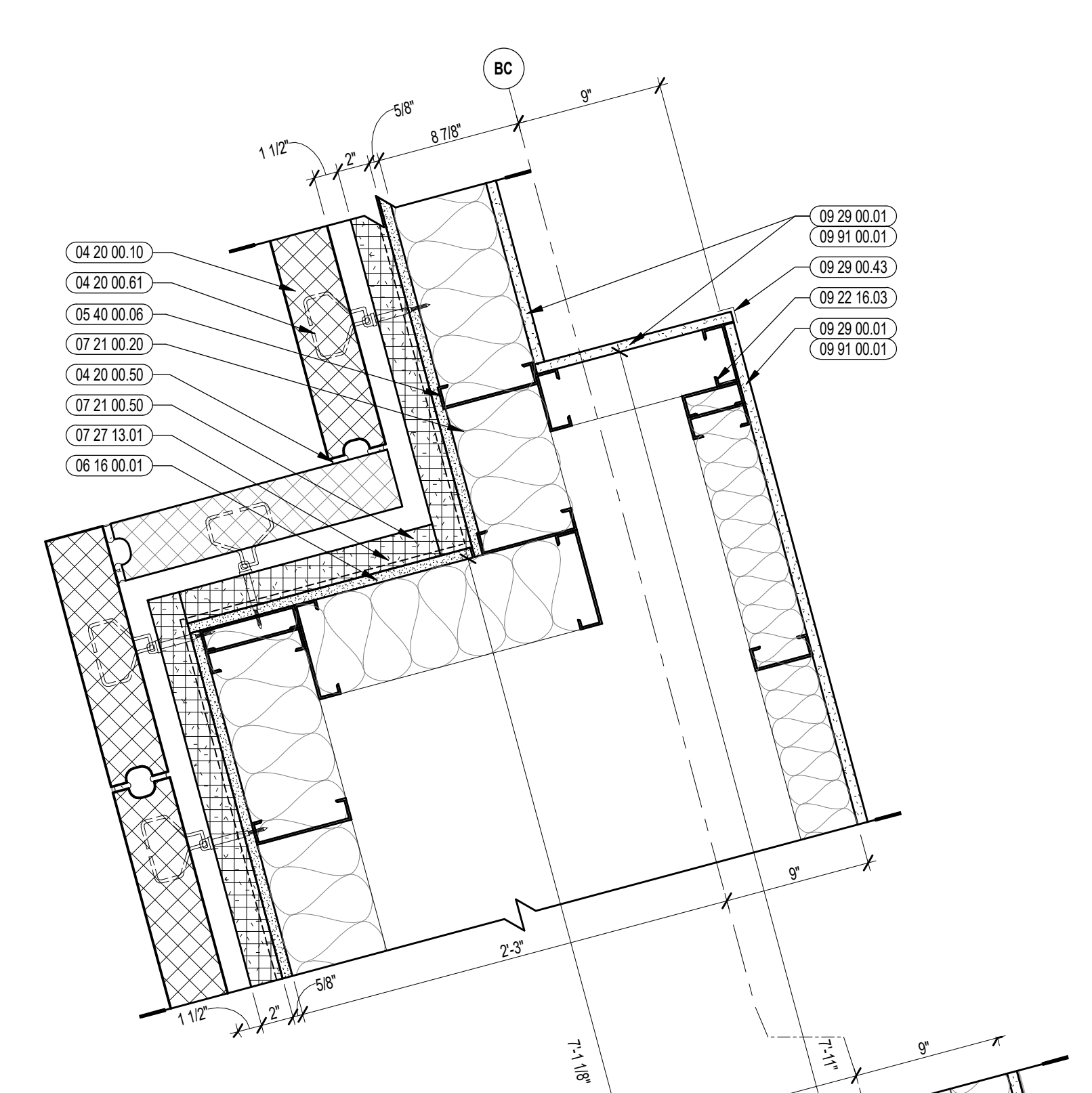
4B EXTERIOR PLAN DETAIL
1 1/2" = 1'-0"



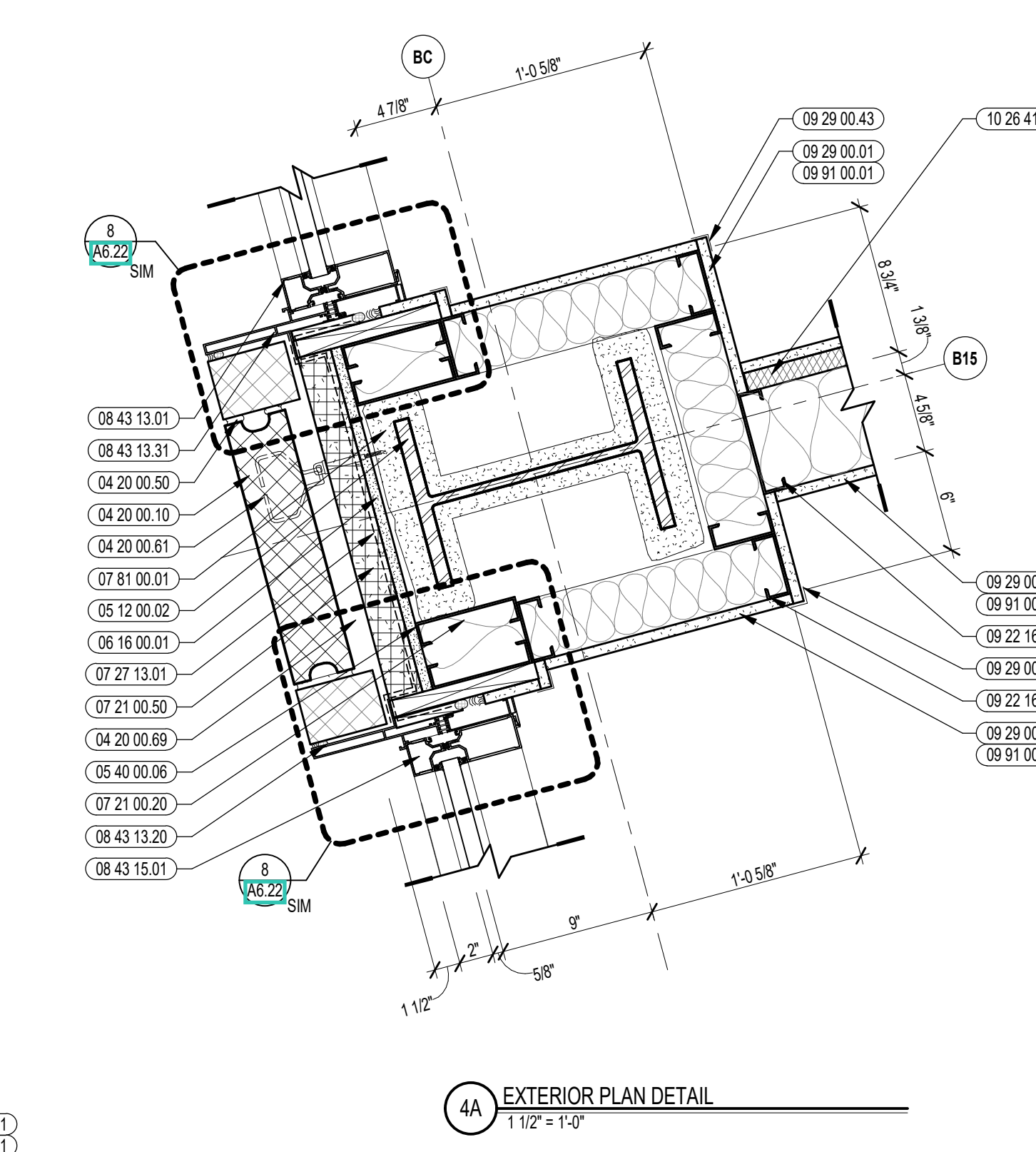
2 EXTERIOR PLAN DETAIL
1 1/2" = 1'-0"



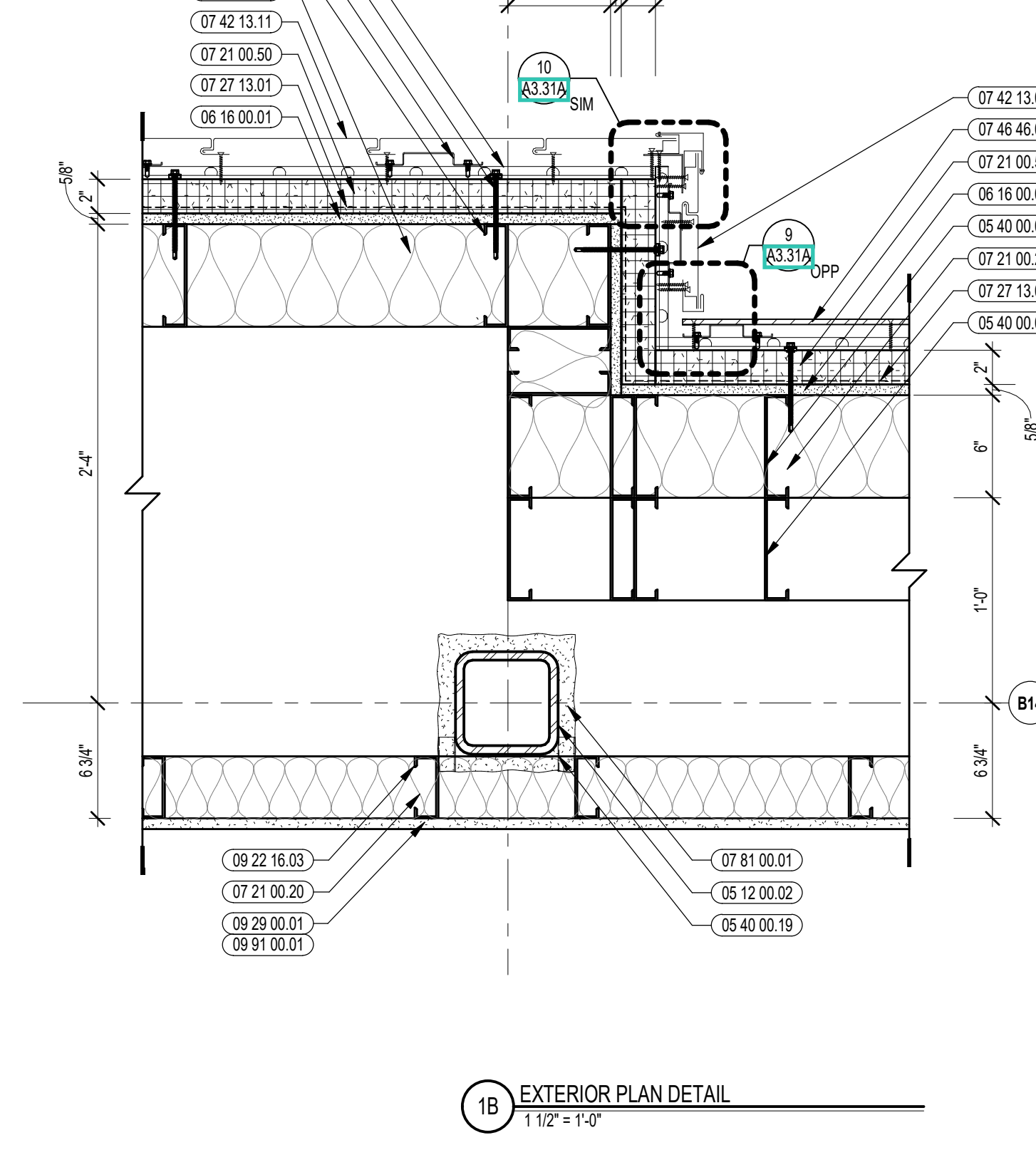
9 EXTERIOR PLAN DETAIL
1 1/2" = 1'-0"



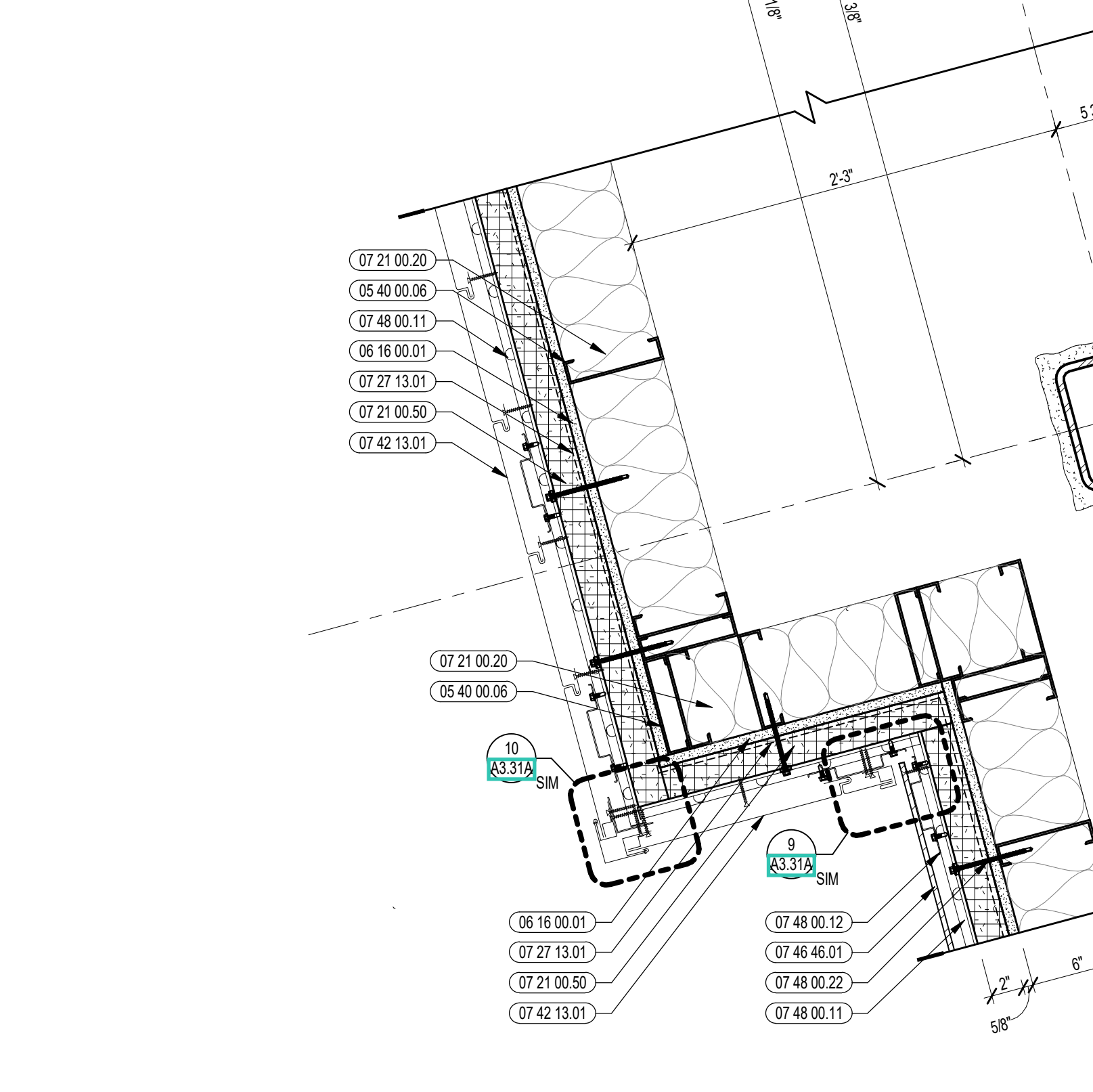
4A EXTERIOR PLAN DETAIL
1 1/2" = 1'-0"



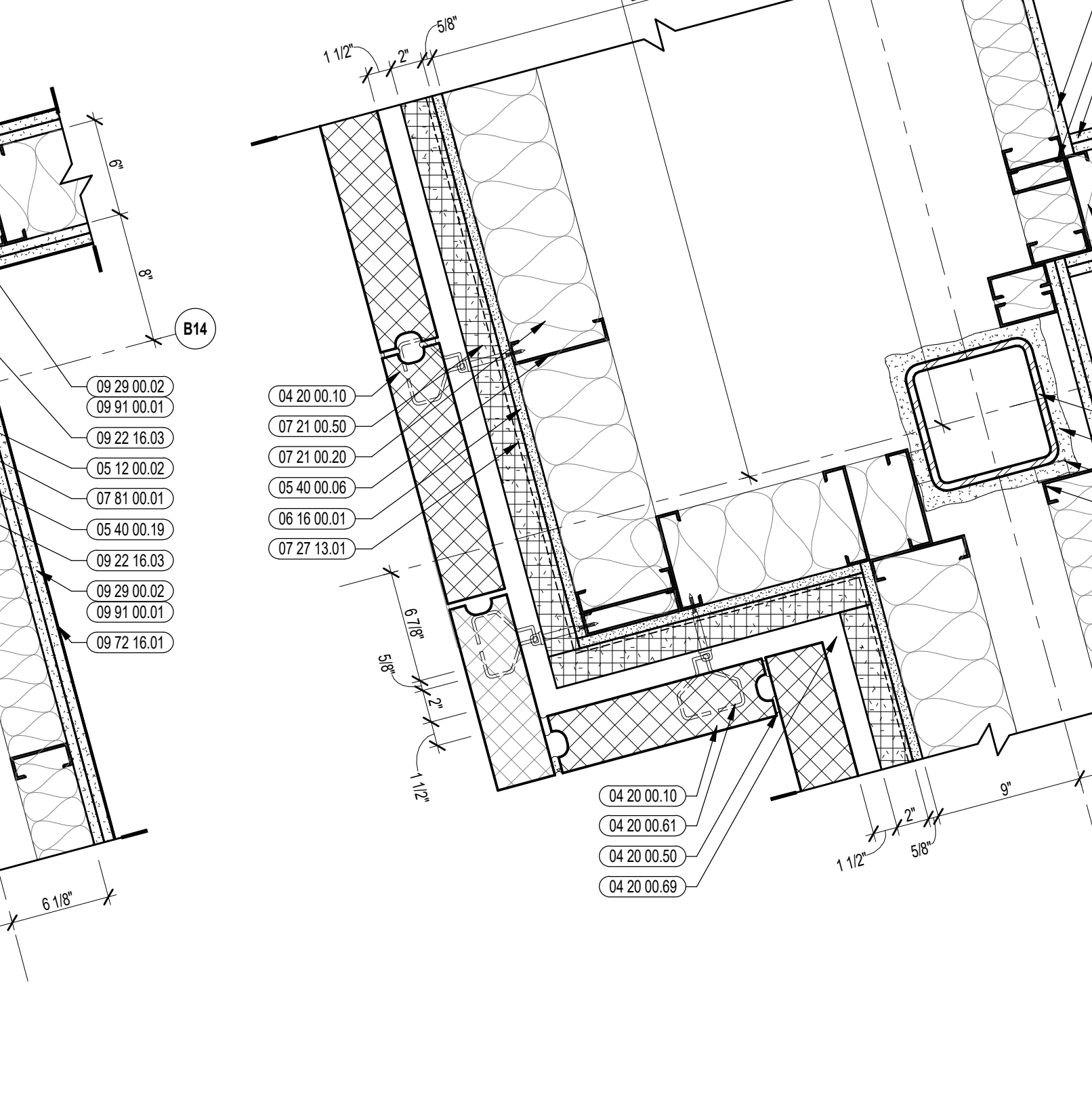
4B EXTERIOR PLAN DETAIL
1 1/2" = 1'-0"



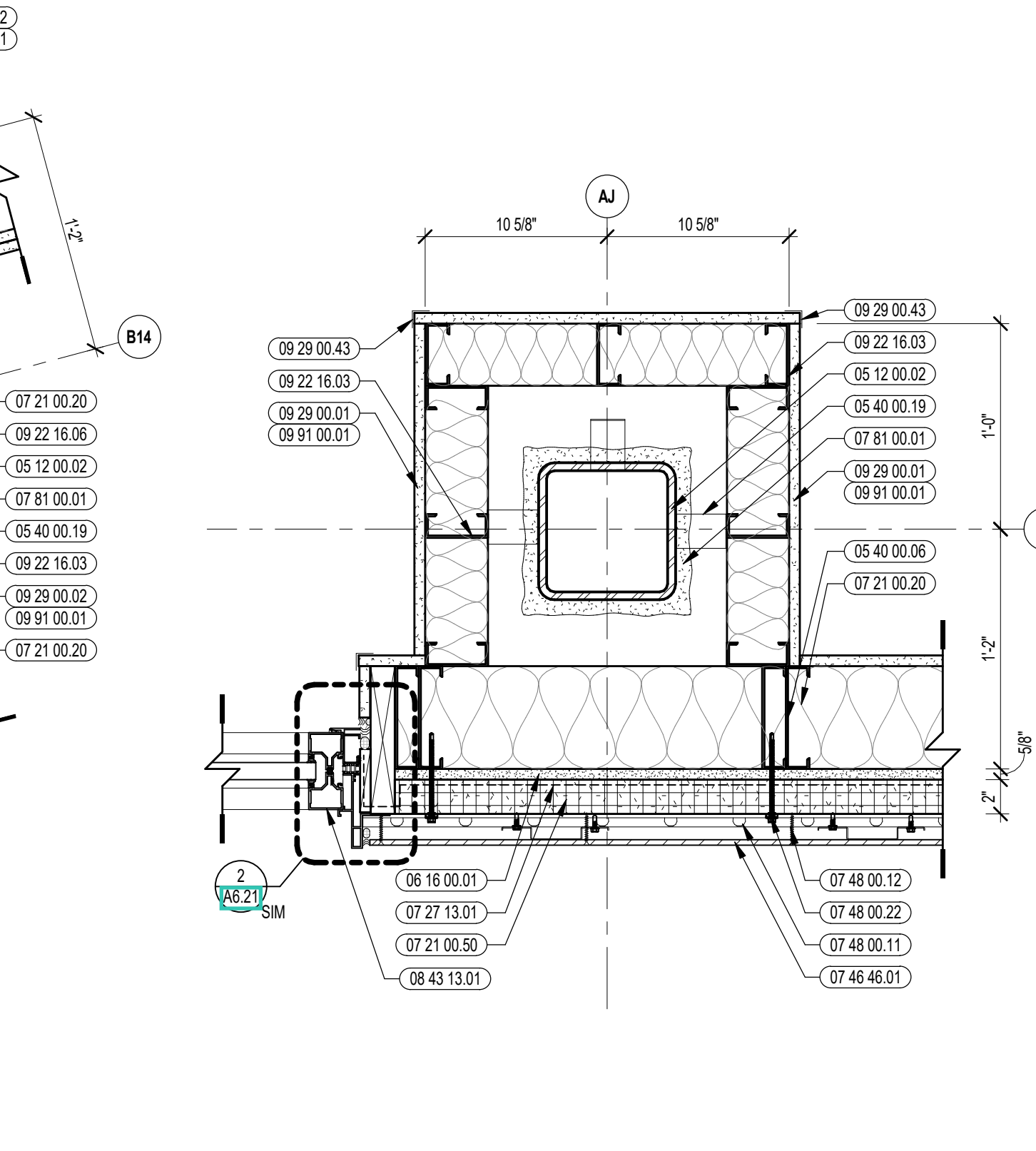
16 EXTERIOR PLAN DETAIL
1 1/2" = 1'-0"



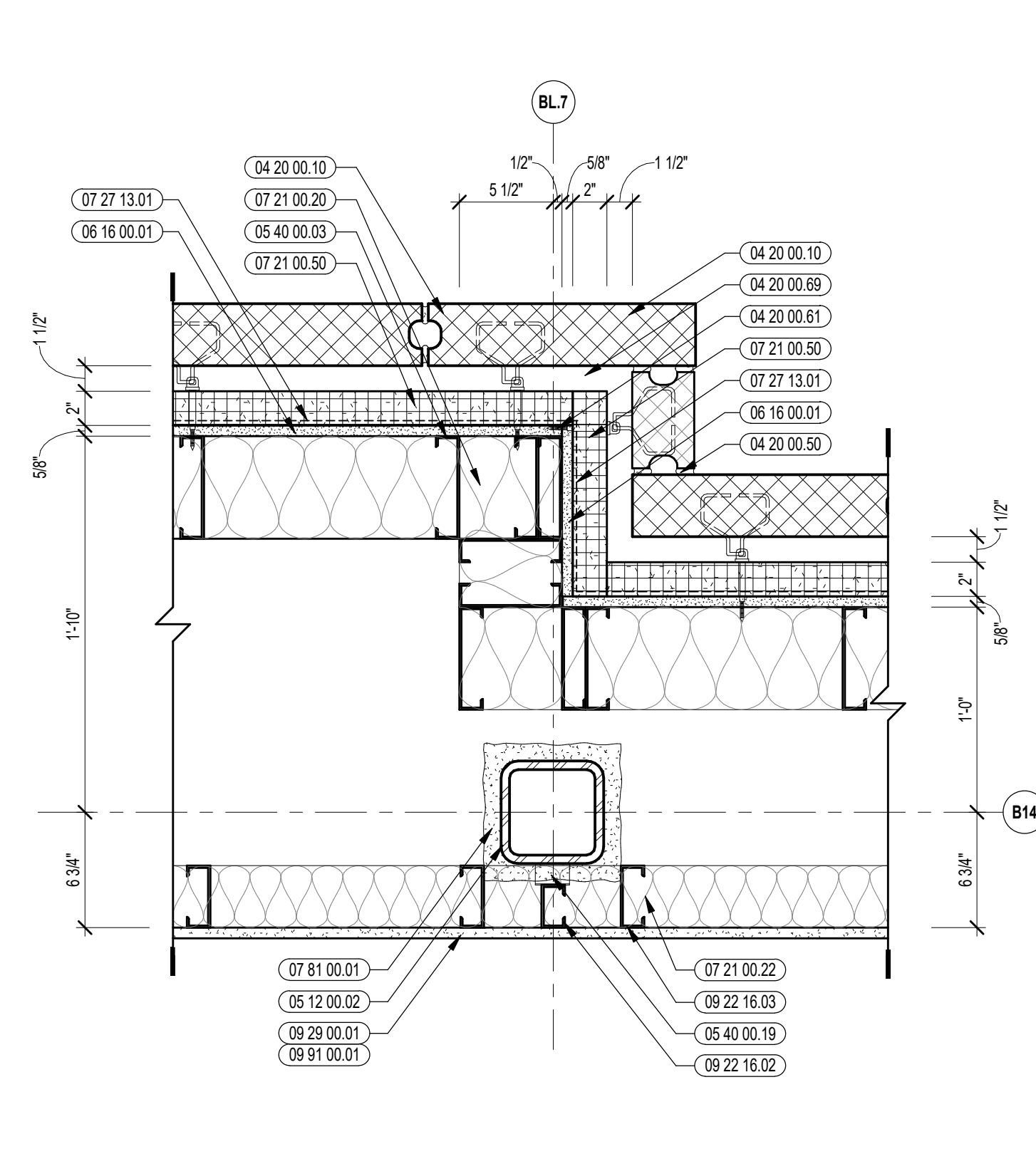
10 EXTERIOR PLAN DETAIL
1 1/2" = 1'-0"



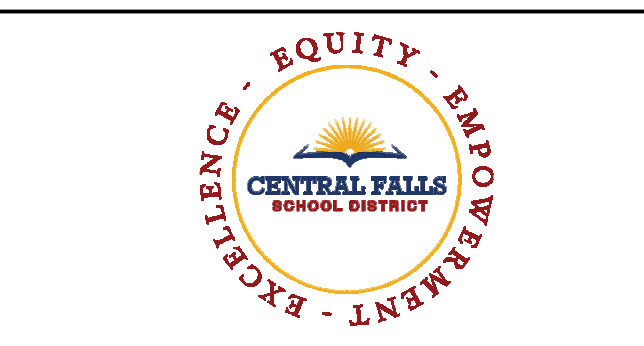
5A EXTERIOR PLAN DETAIL
1 1/2" = 1'-0"



3 EXTERIOR PLAN DETAIL
1 1/2" = 1'-0"



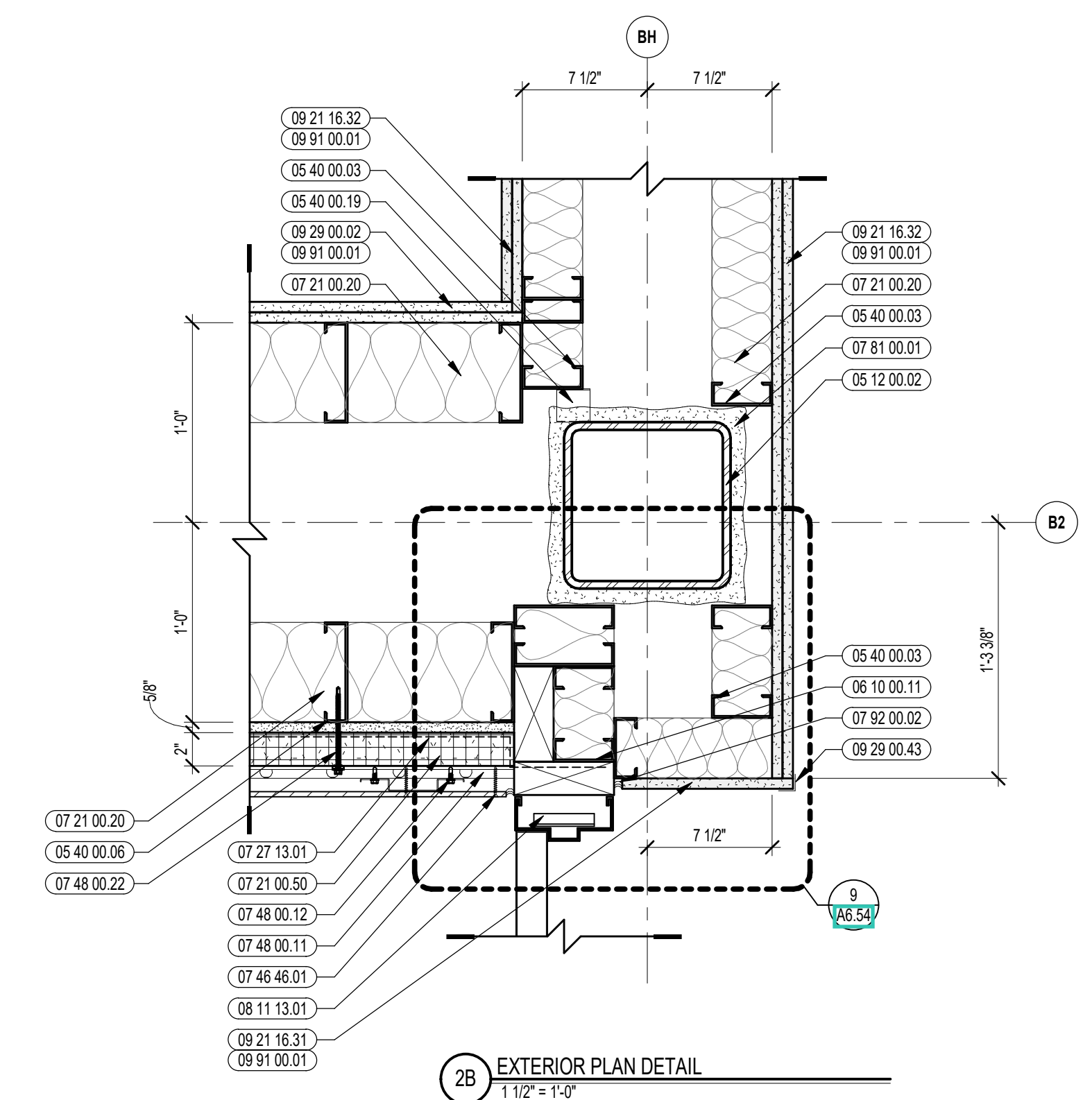
1A EXTERIOR PLAN DETAIL
1 1/2" = 1'-0"



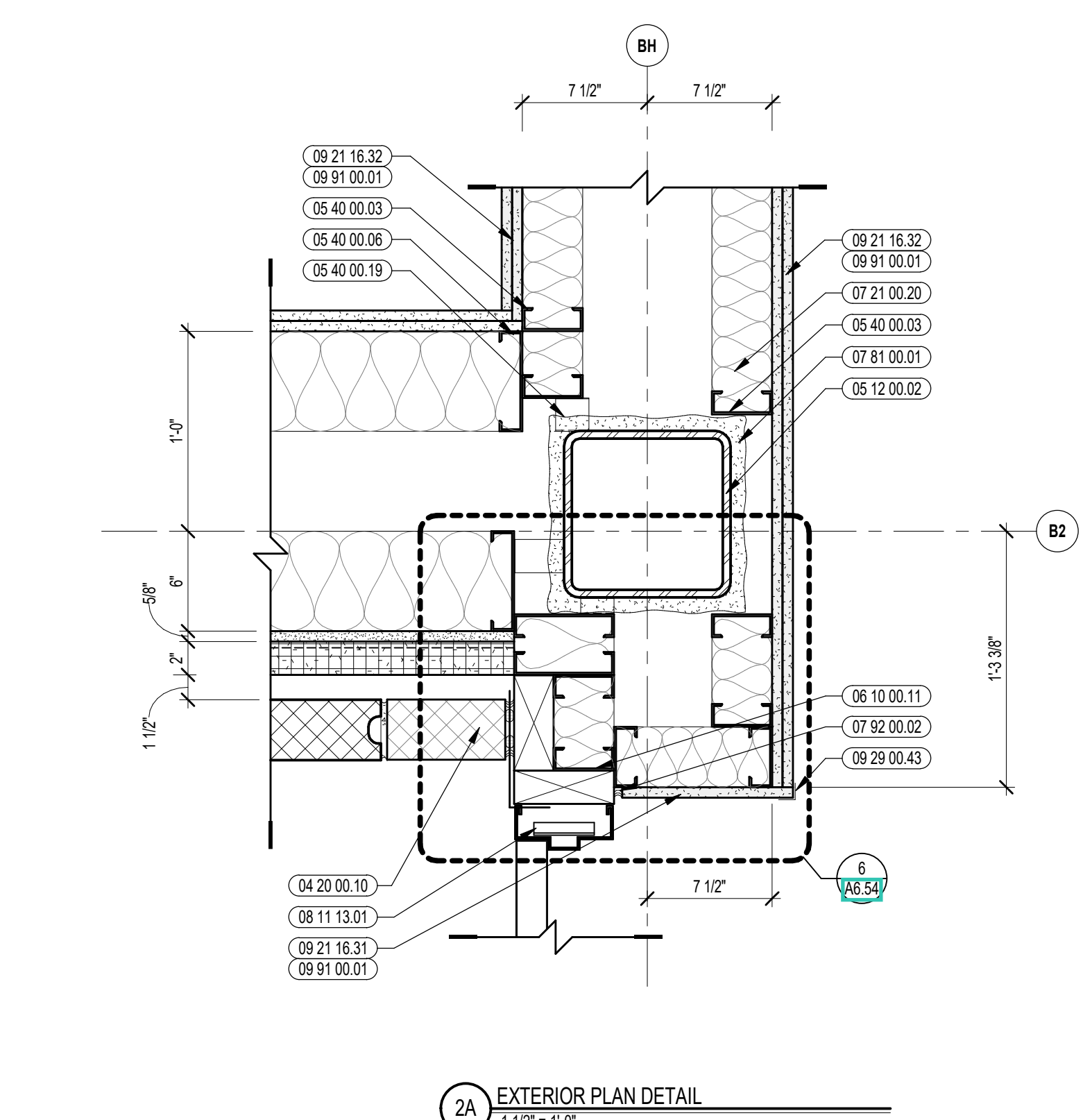
CENTRAL FALLS HIGH SCHOOL
10 HIGGINSON AVE, CENTRAL FALLS, RI

KEYNOTE LEGEND:

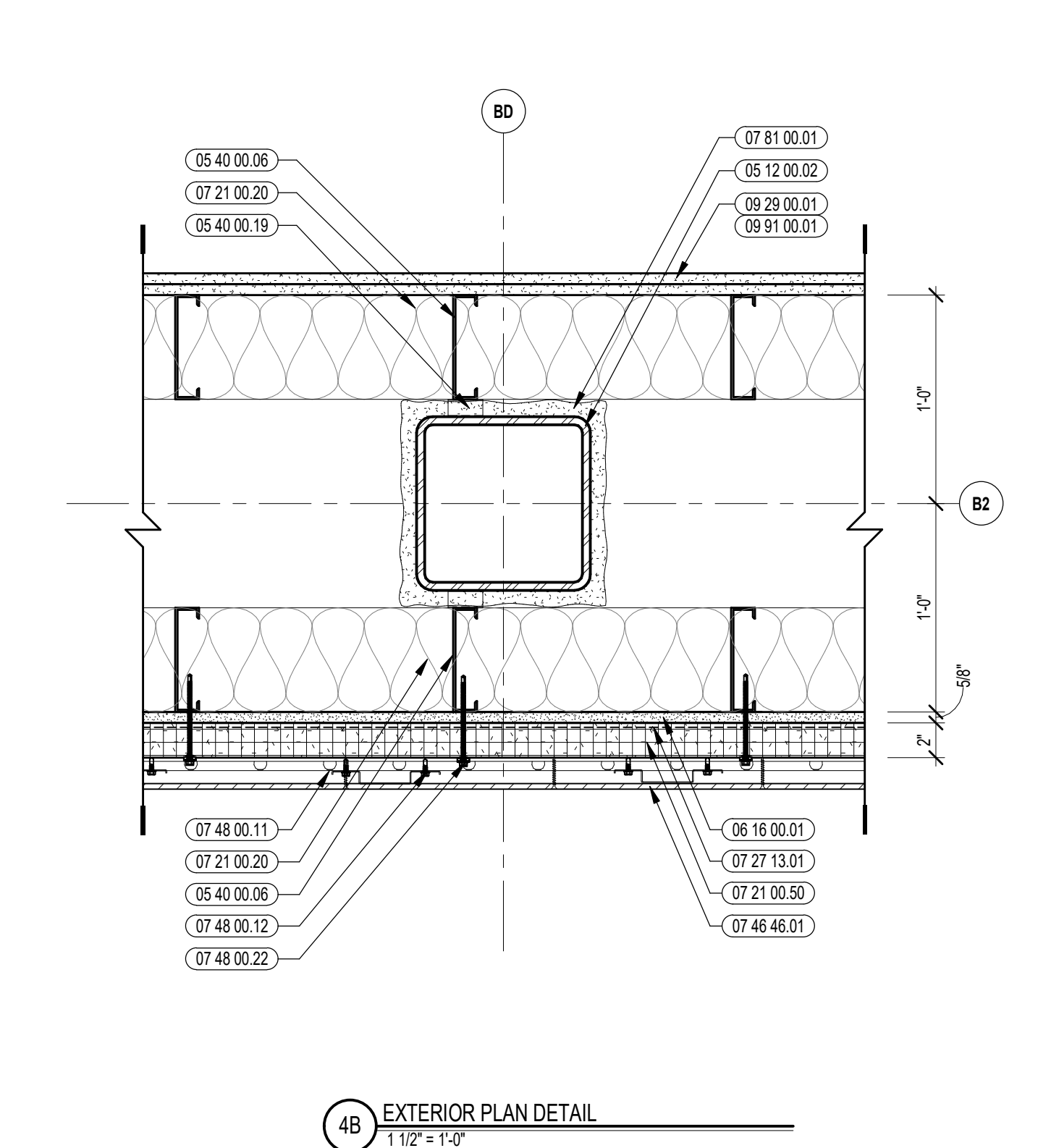
- 04 20 00 10 CMU BASE - GROUND FACE CMU - REFERENCE DETAILS FOR TYPE AND DEPTH
- 04 20 00 50 MASONRY MORTAR
- 04 20 00 61 TYPICAL MASONRY ANCHORTIES - REFERENCE SPECIFICATION FOR SPACING
- 04 20 00 69 AIR SPACE - MAINTAIN CLEAR OF MORTAR
- 05 12 00 02 STEEL COLUMN - SEE STRUCTURAL
- 05 40 00 03 STEEL STUDS - 3/8" INCH - 16 INCHES O.C. MAX
- 05 40 00 06 STEEL STUDS - 6 INCH - 16 INCHES O.C. MAX
- 05 40 00 19 STEEL Z-CLIP - 16 GAGE MIN. - 1 INCH MIN. DEPTH - 16 INCHES O.C. MAX
- 05 40 00 56 LIGHT GAGE BENT PLATE - SIZE AS REQUIRED
- 06 10 00 11 WOOD BLOCKING - (2X) PRESSURE TREATED - SIZE AS NOTED OR DRAWN
- 06 10 00 21 GYPSUM EXTERIOR SHEATHING - 5/8 INCH
- 07 21 00 20 CLASS FIBER BLANKET INSULATION - MATCH DEPTH OF STUD - UNFACED
- 07 21 00 22 CLASS FIBER ACOUSTICAL BLANKET INSULATION - MATCH DEPTH OF STUD - UNFACED
- 07 21 00 50 MINERAL WOOL INSULATION - R10D - EXTERIOR - 2 INCH
- 07 27 13 01 AIRVAPOR BARRIER MEMBRANE - SELF-ADHERING
- 07 48 00 01 MINERAL FIBER CEMENT PANEL - REFERENCE ELEVATIONS FOR COLOR
- 07 48 00 11 HORIZONTAL GIRT - REFER TO SHOP DRAWINGS FOR SIZE
- 07 48 00 12 VERTICAL PANEL RAIL - REFER TO SHOP DRAWINGS FOR SIZE
- 07 48 00 21 STAINLESS STEEL SELF-DRILLING SCREW
- 07 48 00 22 STAINLESS STEEL SELF-DRILLING SCREW WITH THERMAL ISOLATION
- 07 81 00 01 CEMENTITIOUS FIREPROOFING
- 07 81 00 02 BACKER ROD AND SEALANT - TYPE AS REQUIRED
- 08 11 13 01 DOOR AND FRAME - SEE DOOR SCHEDULE
- 09 21 16 32 GYPSUM BOARD - 5/8 INCH TYPE X - 1 LAYER
- 09 21 16 33 GYPSUM BOARD - 5/8 INCH TYPE X - 2 LAYERS
- 09 22 16 02 METAL STUD 2-1/2 INCH - 16 INCHES O.C. MAX
- 09 22 16 06 METAL STUD 6 INCH - 16 INCHES O.C. MAX
- 09 29 00 01 5/8 INCH GYPSUM BOARD - LEVEL 4 FINISH - 1 LAYER
- 09 29 00 02 5/8 INCH GYPSUM BOARD - LEVEL 4 FINISH - 2 LAYERS
- 09 29 00 11 5/8 INCH PLYWOOD - FIRE RETARDANT TREATED
- 09 29 00 43 CORNER BEAD
- 09 72 16 01 VINYL WALL CLADDING - REFERENCE ELEVATIONS FOR TYPE
- 09 91 00 01 PAINT - SEE SCHEDULE
- 11 66 23 01 WALL PADDING - TYPE 1
- 11 66 23 02 WALL PADDING - TYPE 2



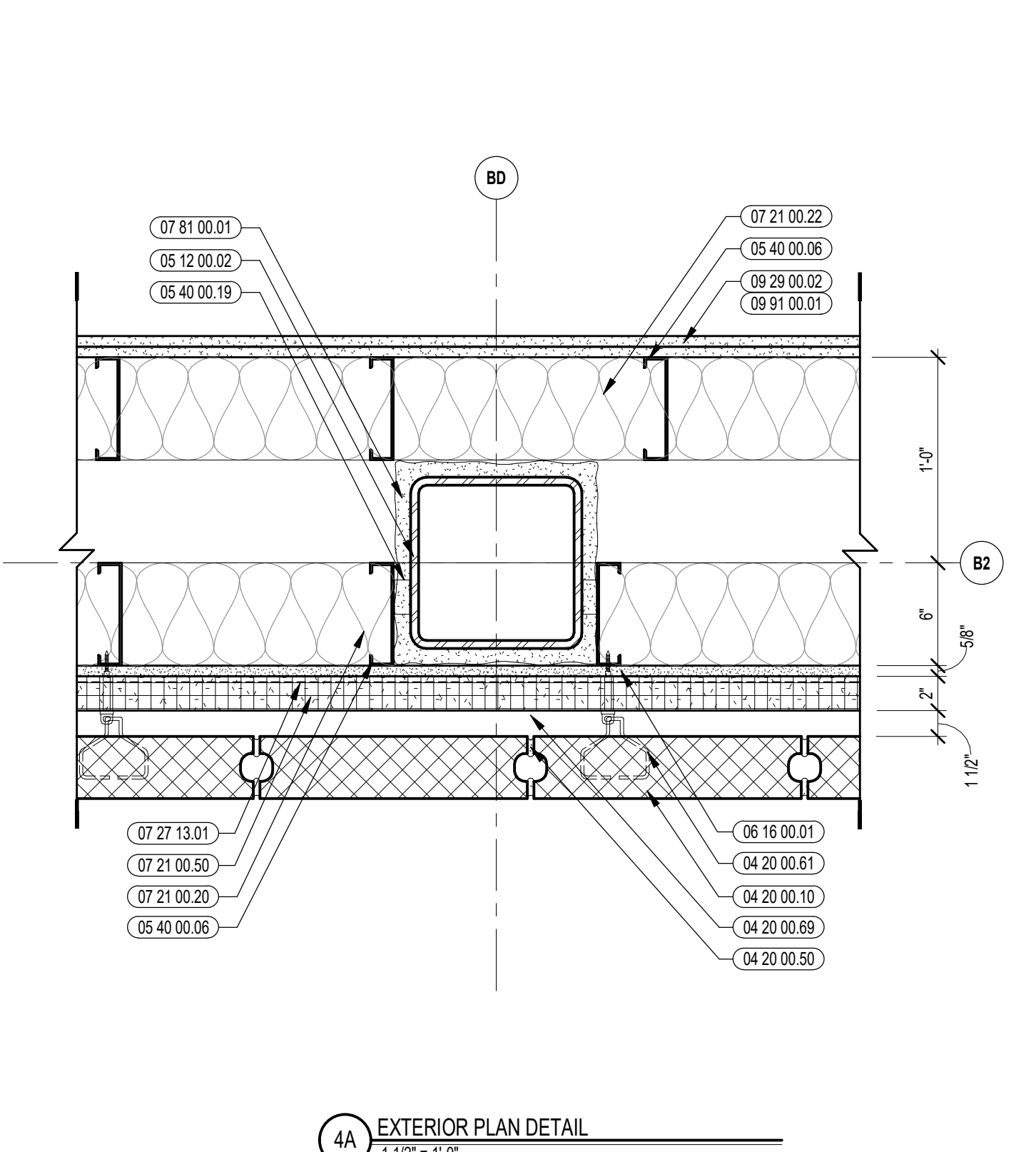
2B EXTERIOR PLAN DETAIL
1 1/2" = 1'-0"



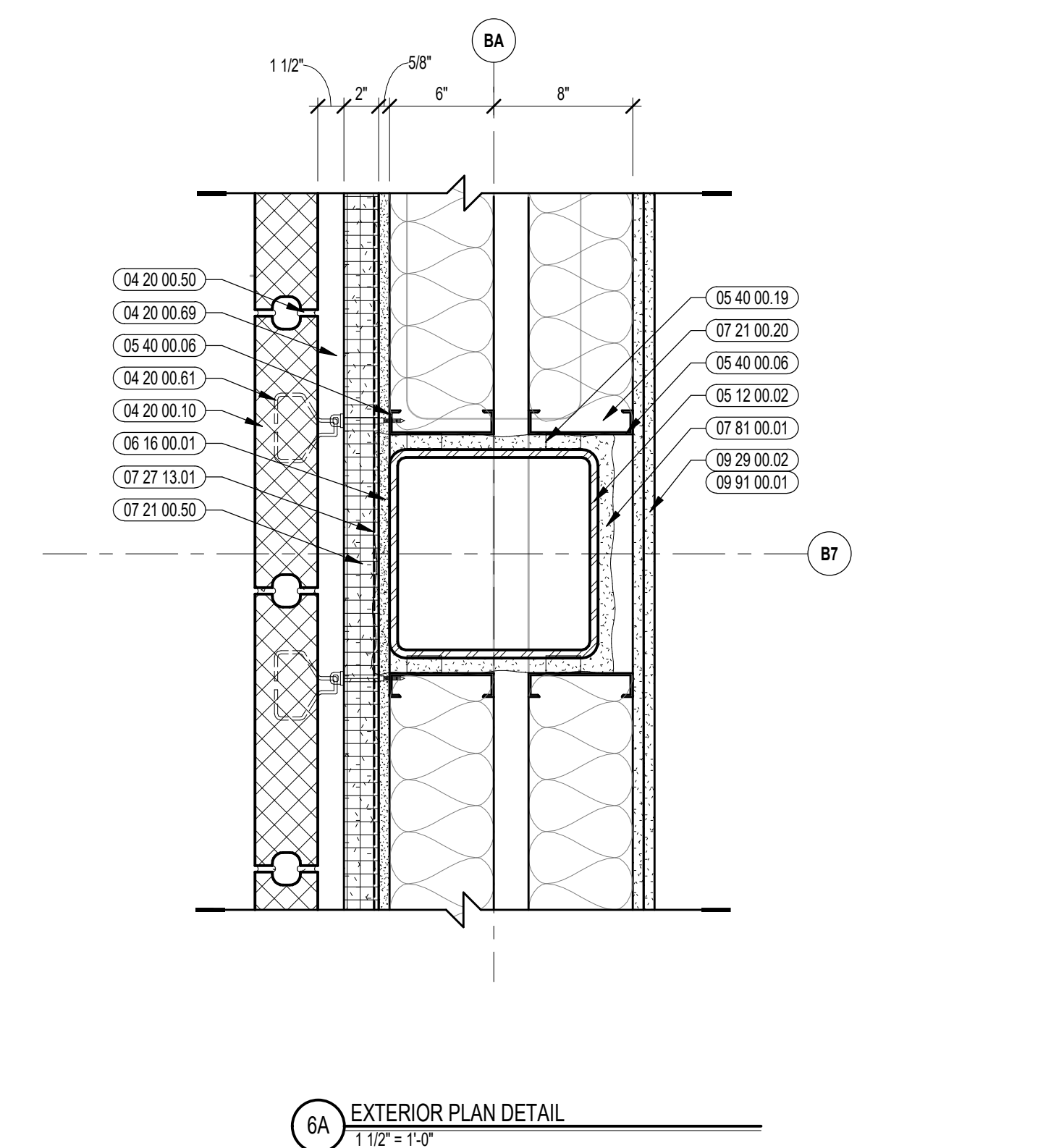
2A EXTERIOR PLAN DETAIL
1 1/2" = 1'-0"



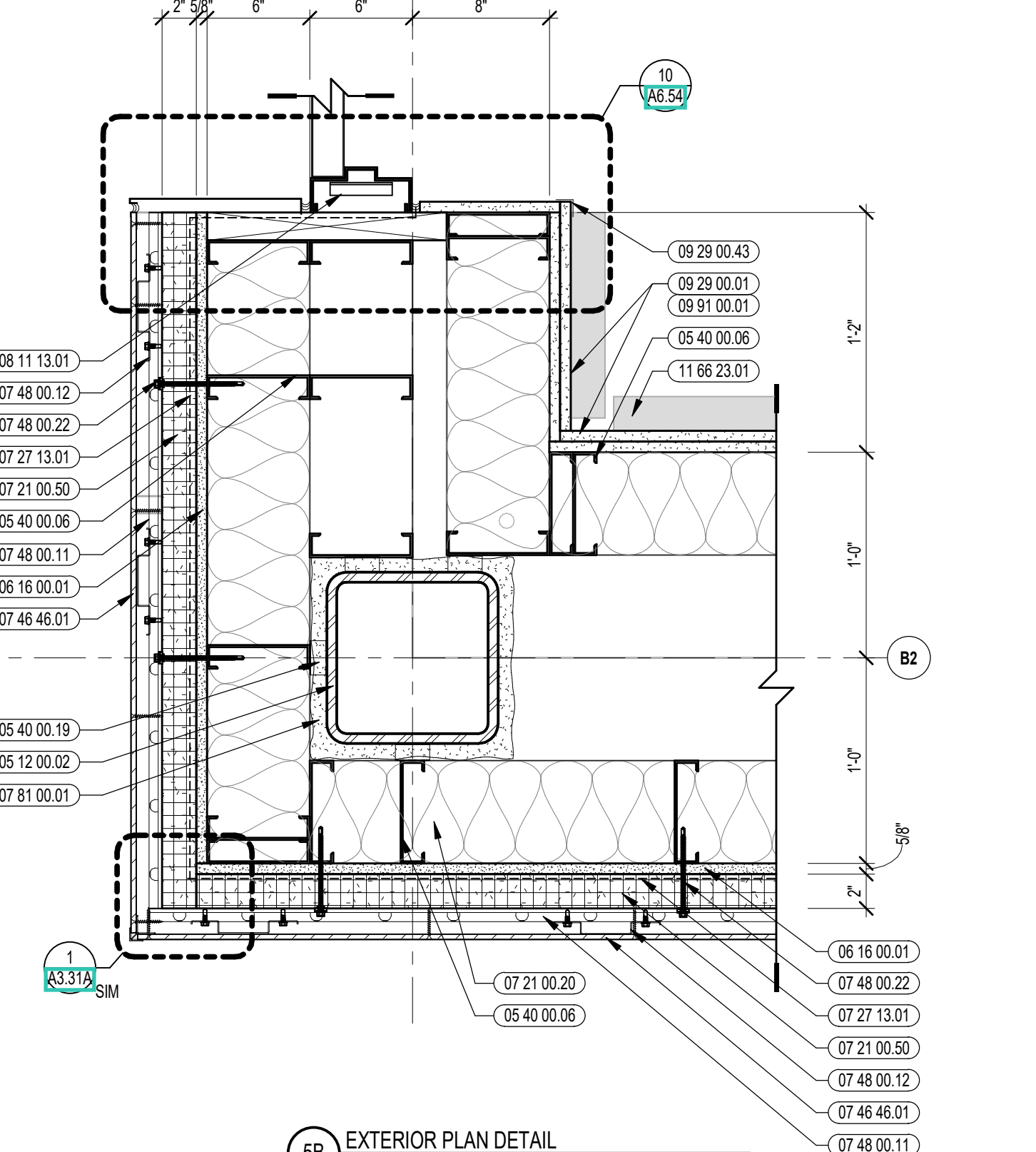
4B EXTERIOR PLAN DETAIL
1 1/2" = 1'-0"



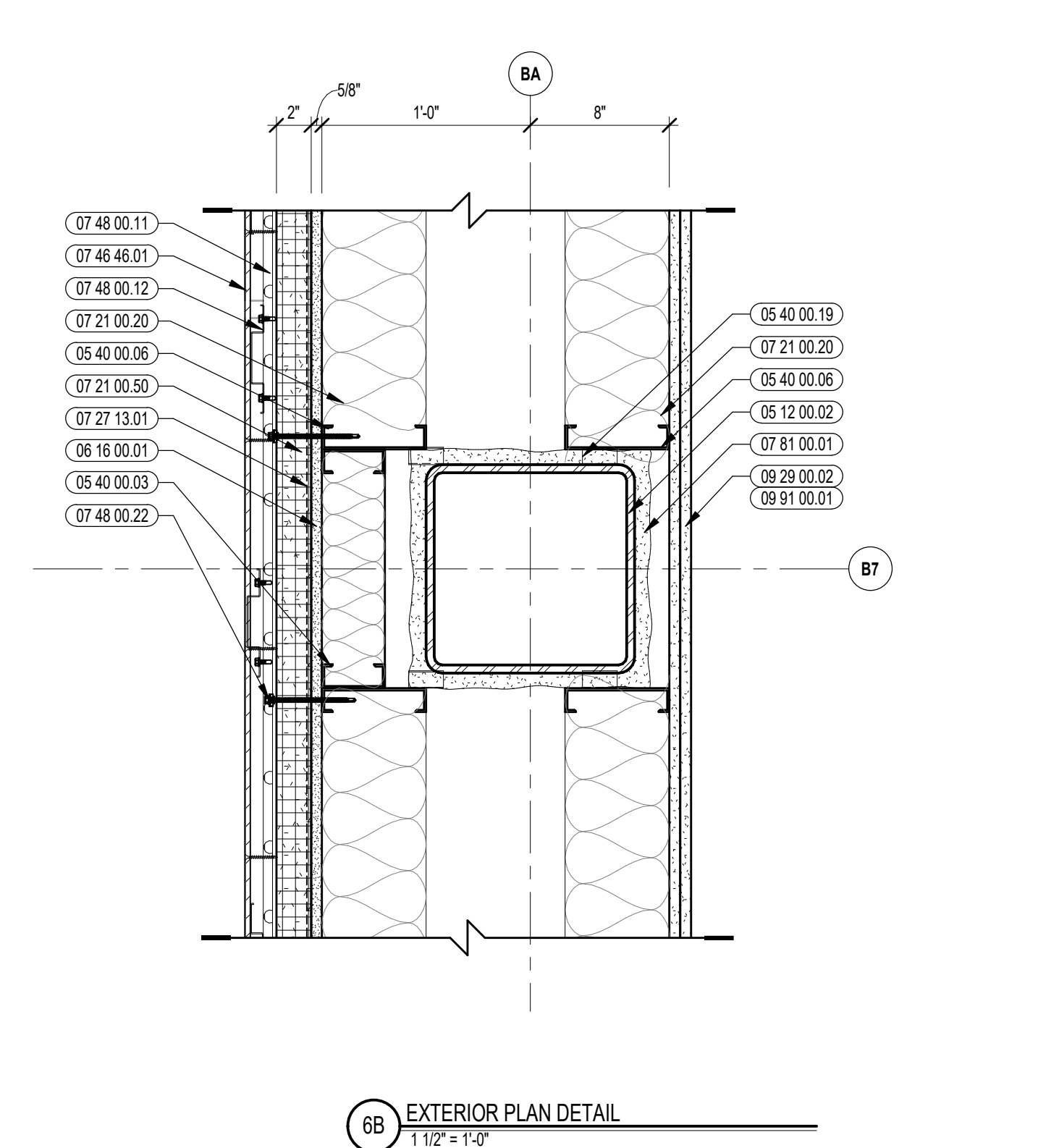
4A EXTERIOR PLAN DETAIL
1 1/2" = 1'-0"



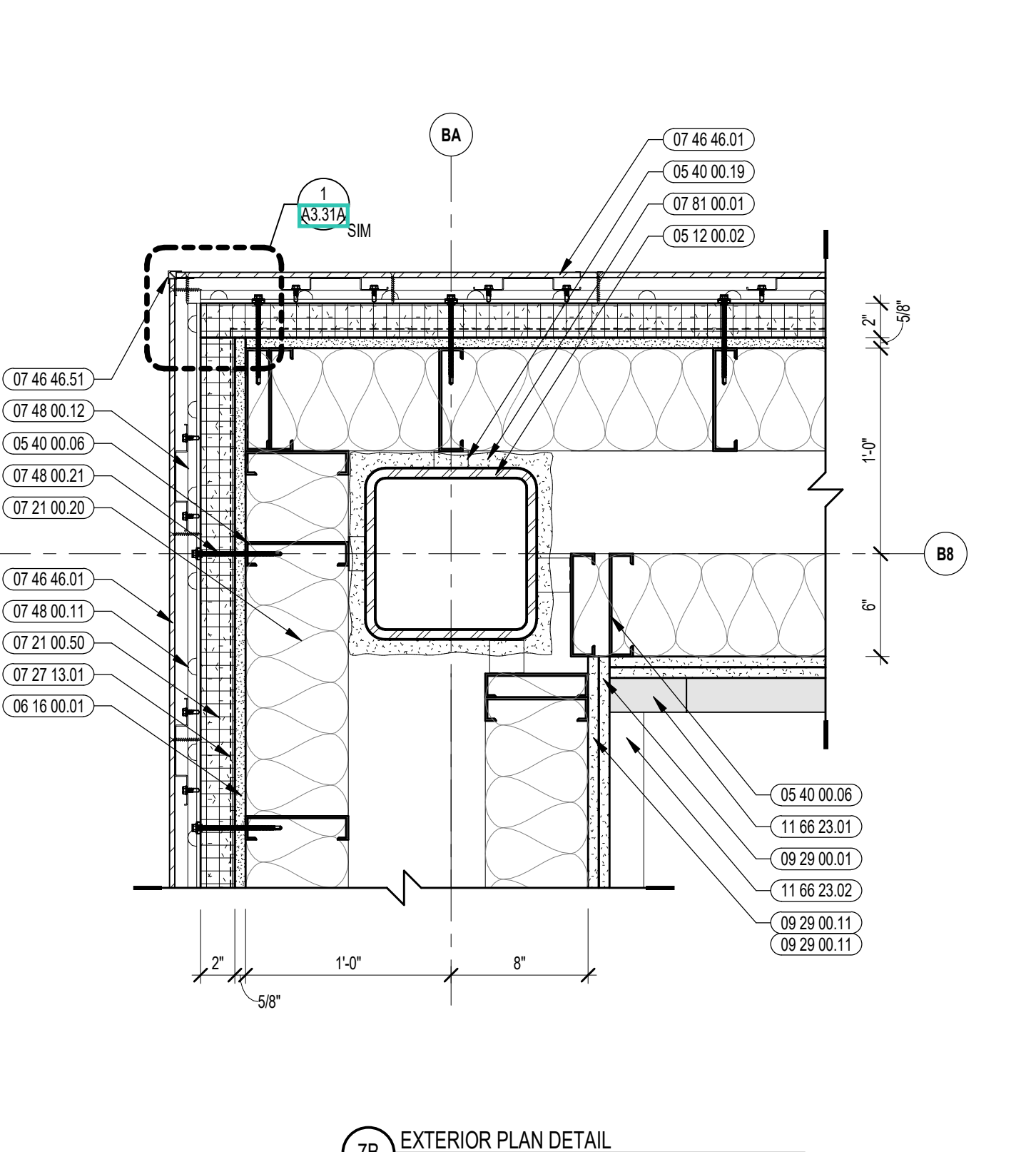
3B EXTERIOR PLAN DETAIL
1 1/2" = 1'-0"



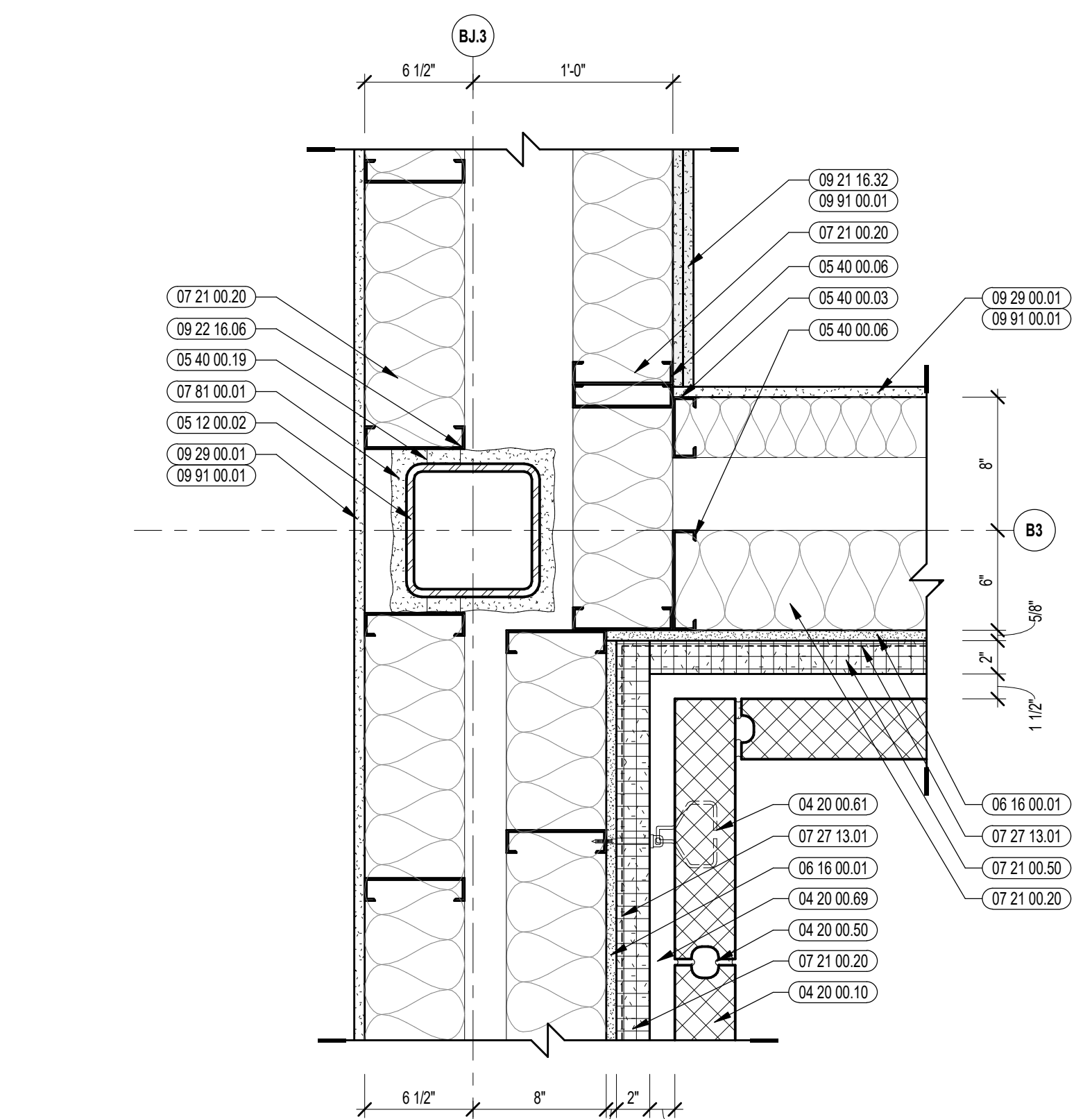
3A EXTERIOR PLAN DETAIL
1 1/2" = 1'-0"



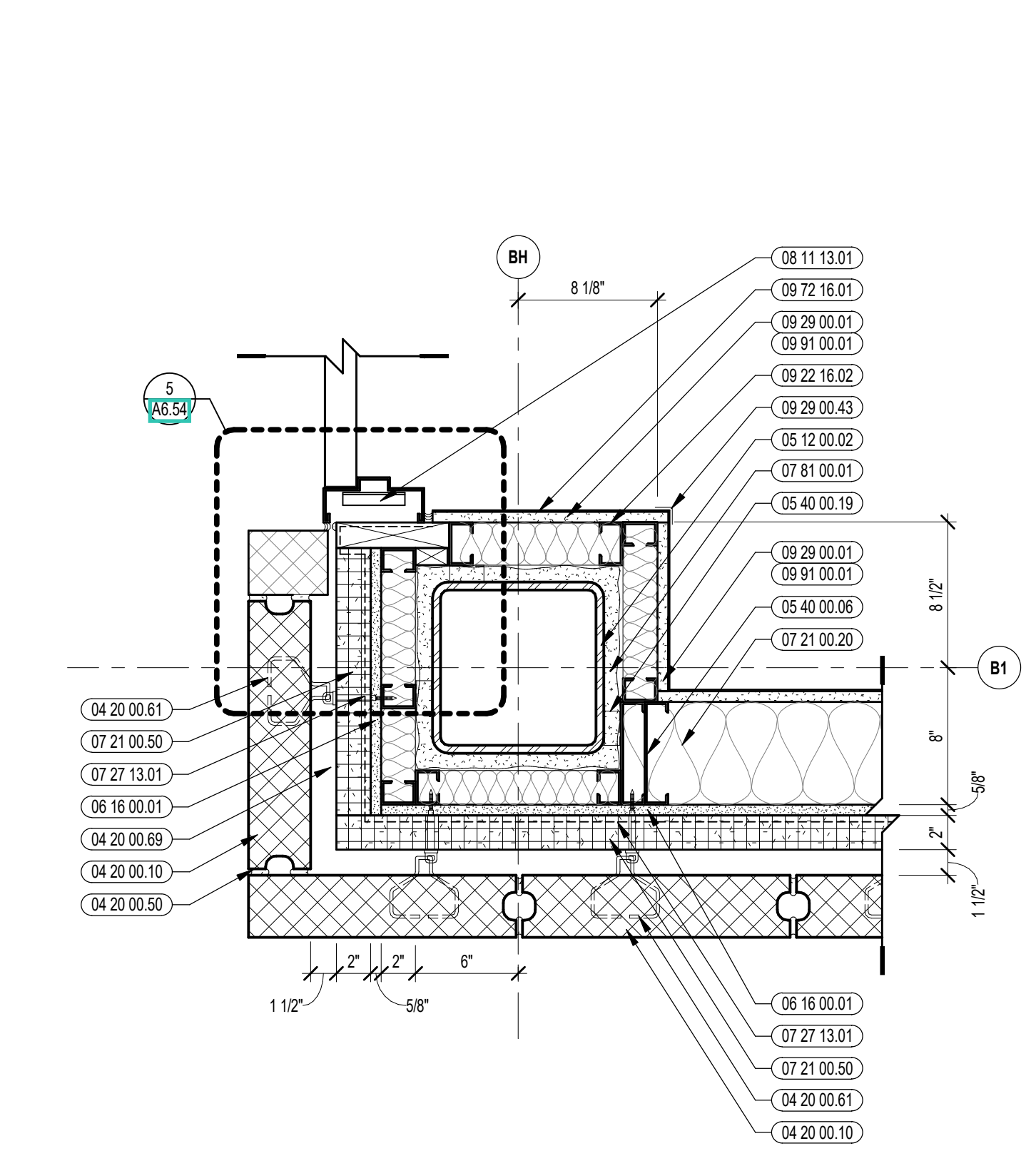
6B EXTERIOR PLAN DETAIL
1 1/2" = 1'-0"



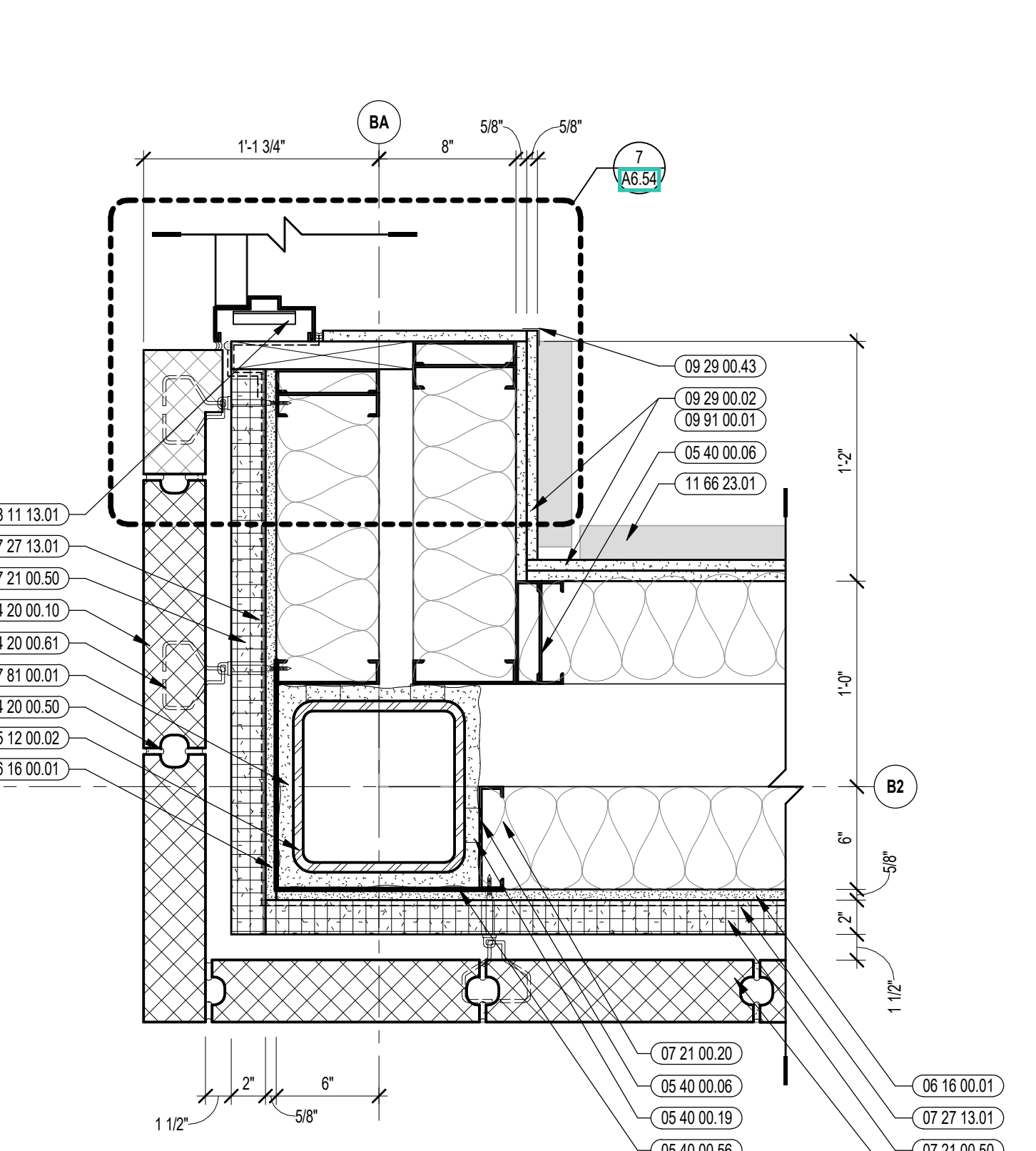
6A EXTERIOR PLAN DETAIL
1 1/2" = 1'-0"



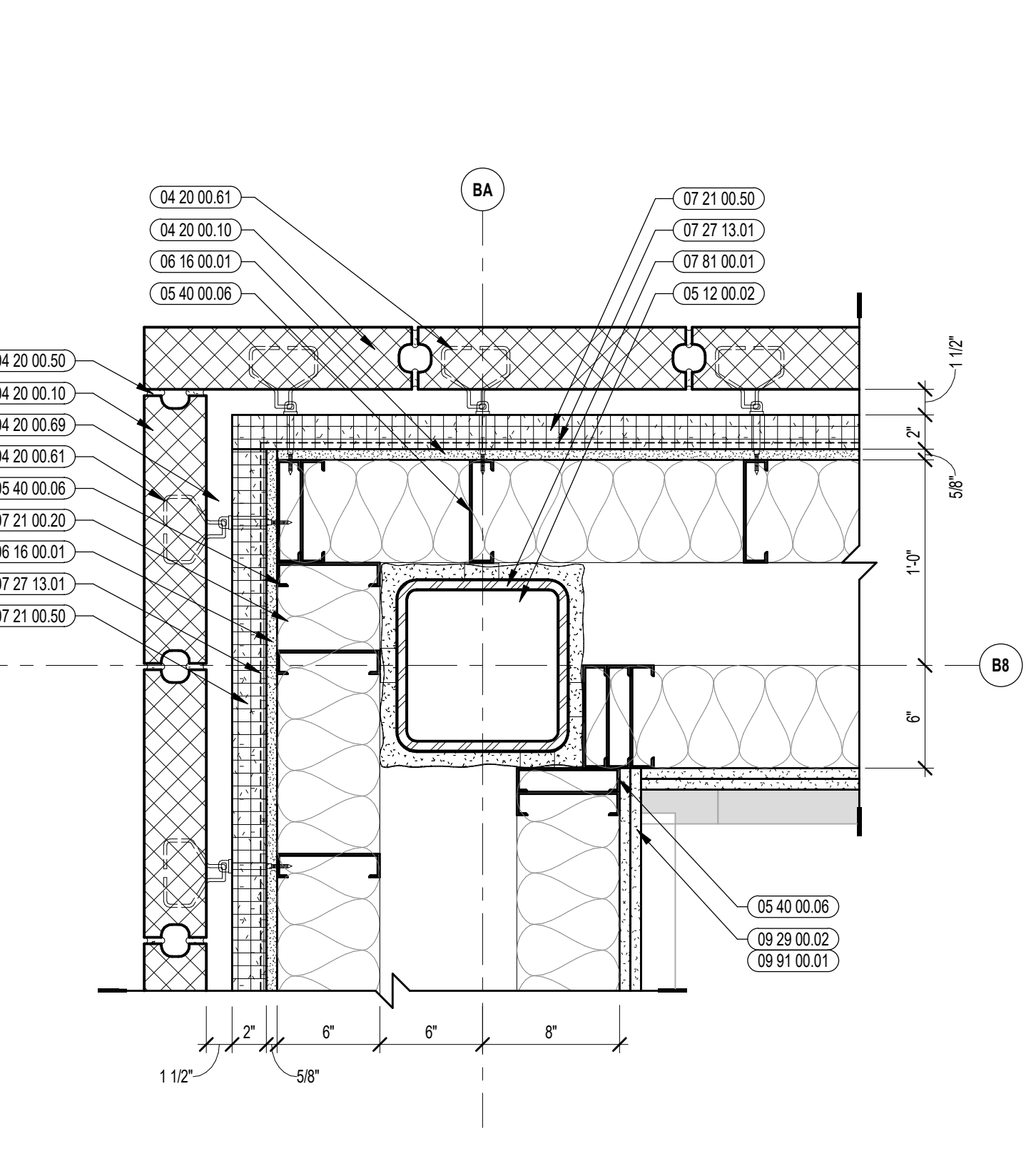
1 EXTERIOR PLAN DETAIL
1 1/2" = 1'-0"



5 EXTERIOR PLAN DETAIL
1 1/2" = 1'-0"



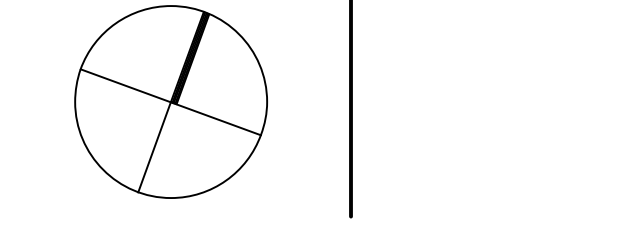
7 EXTERIOR PLAN DETAIL
1 1/2" = 1'-0"



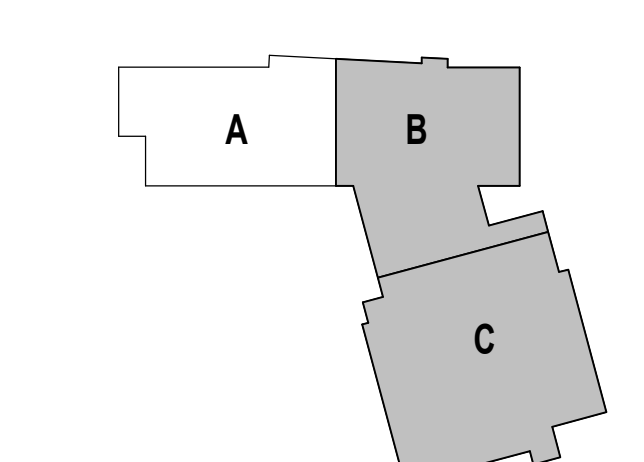
7A EXTERIOR PLAN DETAIL
1 1/2" = 1'-0"

100% CONSTRUCTION DOCUMENTS

KEY PLAN NORTH ARROW



KEYPLAN



DRAWING NAME:

EXTERIOR PLAN DETAILS

DRAWN BY: MS / BFC

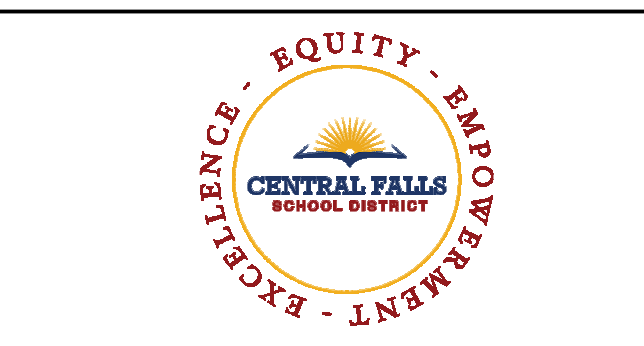
REVIEWED BY: CHR / KK

SCALE: AS INDICATED DRAWING NUMBER:

JOB NO.: 2202.02

DATE: OCTOBER 13, 2023

A5.45



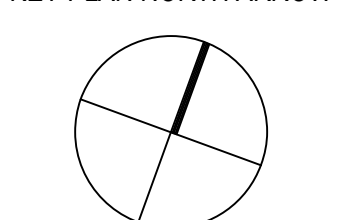
CENTRAL FALLS HIGH SCHOOL
10 HIGGINSON AVE, CENTRAL FALLS, RI

KEYNOTE LEGEND:

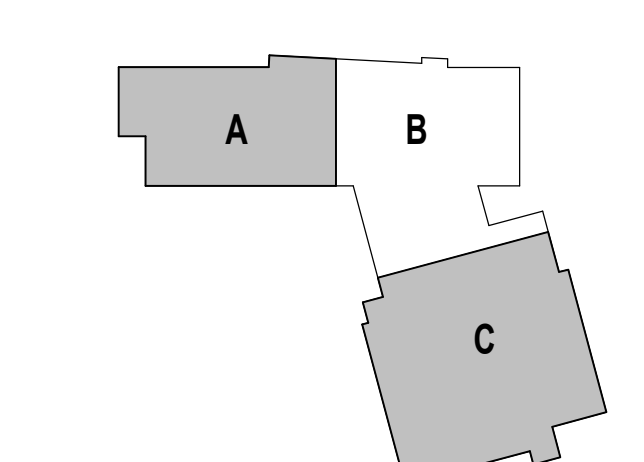
- 04 20 00 10 CMU BASE - GROUND FACE CMU - REFERENCE DETAILS FOR TYPE AND DEPTH
- 04 20 00 50 MASONRY MORTAR
- 04 20 00 61 TYPICAL MASONRY ANCHORTIES - REFERENCE SPECIFICATION FOR SPACING
- 04 20 00 69 AIR SPACE - MAINTAIN CLEAR OF MORTAR
- 05 12 00 02 STEEL COLUMN - SEE STRUCTURAL
- 05 40 00 01 STEEL STUDS - 1.58 INCH - 16 INCHES O.C. MAX
- 05 40 00 03 STEEL STUDS - 3.58 INCH - 16 INCHES O.C. MAX
- 05 40 00 06 STEEL STUDS - 6 INCH - 16 INCHES O.C. MAX
- 05 40 00 19 STEEL Z-CLIP - 18 GAGE MIN. - 1 INCH MIN. DEPTH - 16 INCHES O.C. MAX
- 06 10 00 21 WOOD BLOCKING - (2X) FIRE RETARDANT TREATED - SIZE AS NOTED OR DRAWN
- 06 16 00 01 GYPSUM EXTERIOR SHEATHING - 5/8 INCH
- 07 21 00 20 CLASS FIBER BLANKET INSULATION - MATCH DEPTH OF STUD - UNFACED
- 07 21 00 50 MINERAL WOOL INSULATION - RIGID - EXTERIOR - 2 INCH
- 07 27 13 01 AIR/VAPOR BARRIER MEMBRANE - SELF-ADHERING ELEVATIONS FOR COLOR
- 07 48 00 01 MINERAL FIBER CEMENT PANEL - REFERENCE ELEVATIONS FOR COLOR
- 07 48 00 11 LOW PROFILE OUTSIDE CORNER
- 07 48 00 12 HORIZONTAL GIRT - REFER TO SHOP DRAWINGS FOR SIZE
- 07 48 00 13 VERTICAL PANEL RAIL - REFER TO SHOP DRAWINGS FOR SIZE
- 07 48 00 22 STAINLESS STEEL SELF-DRILLING SCREW WITH THERMAL ISOLATION
- 07 81 00 01 CEMENTITIOUS FIREPROOFING
- 08 11 13 11 STEEL FRAME - SEE SCHEDULE FOR TYPES
- 08 43 13 01 ALUMINUM STOREFRONT FRAME
- 08 44 13 01 ALUMINUM CURTAIN WALL FRAME
- 08 44 13 05 PERIMETER SEALANT
- 09 21 16 32 GYPSUM BOARD - 5/8 INCH TYPE X - 2 LAYERS
- 09 22 16 03 METAL STUD 3.58 INCH - 16 INCHES O.C. MAX
- 09 22 16 06 METAL STUD 6 INCH - 16 INCHES O.C. MAX
- 09 29 00 01 5/8 INCH GYPSUM BOARD - LEVEL 4 FINISH - 1 LAYER
- 09 29 00 02 5/8 INCH GYPSUM BOARD - LEVEL 4 FINISH - 2 LAYERS
- 09 29 00 43 CORNER BEAD
- 09 91 00 01 PAINT - SEE SCHEDULE

100% CONSTRUCTION DOCUMENTS

KEY PLAN NORTH ARROW



KEYPLAN



DRAWING NAME:

EXTERIOR PLAN DETAILS

DRAWN BY: MS / BFC

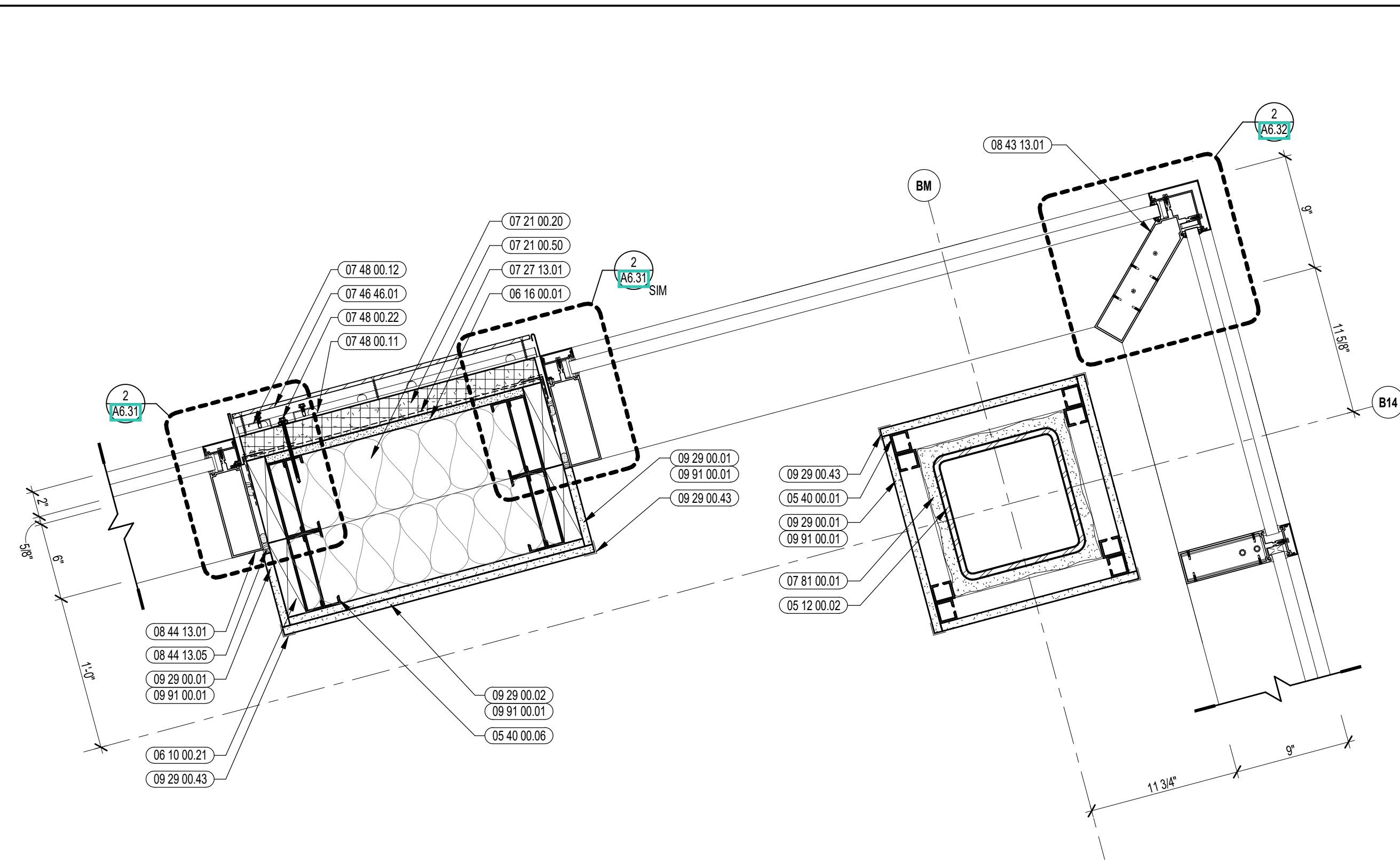
REVIEWED BY: CHR / KK

SCALE: AS INDICATED | DRAWING NUMBER:

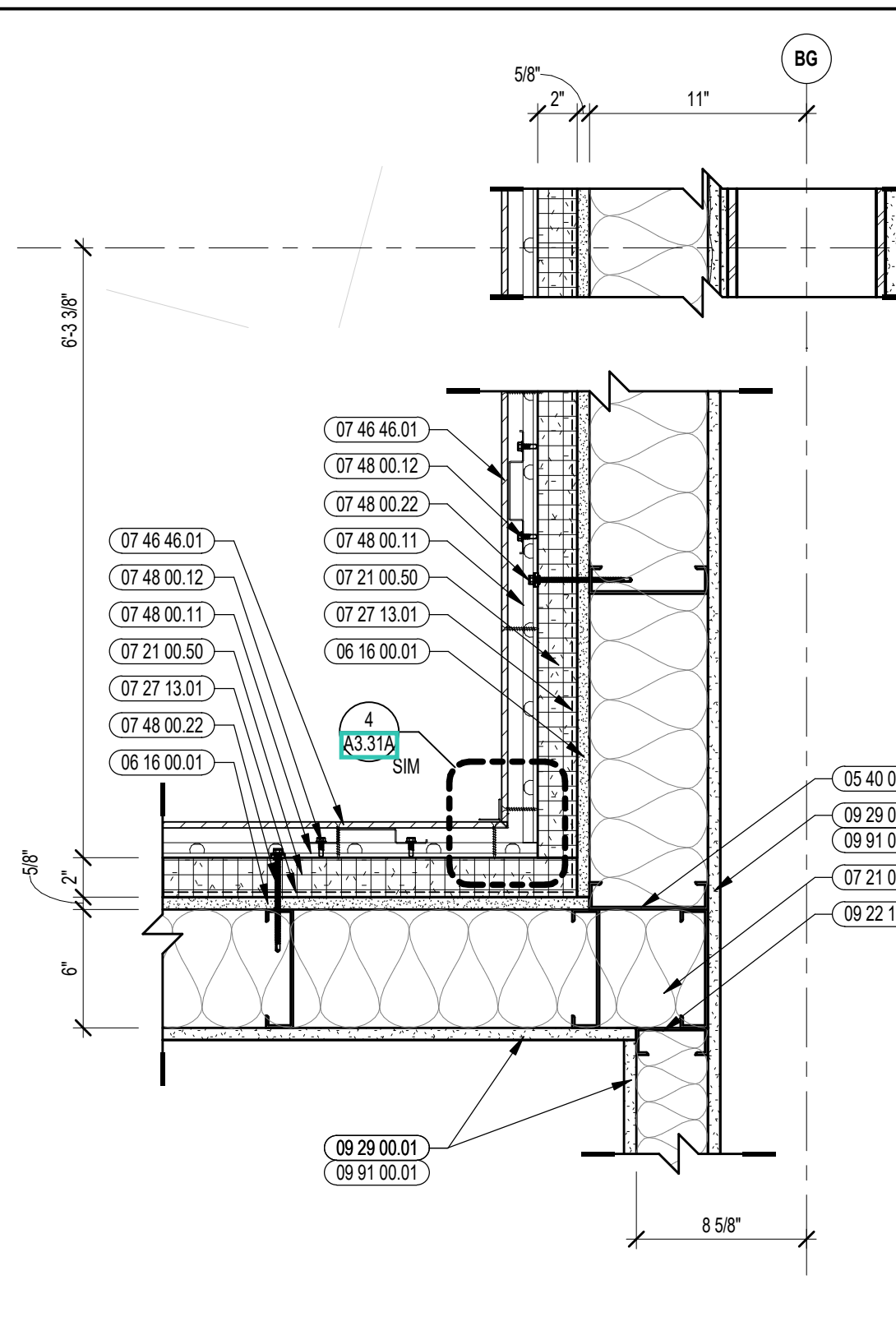
JOB NO.: 2202.02

DATE: OCTOBER 13, 2023

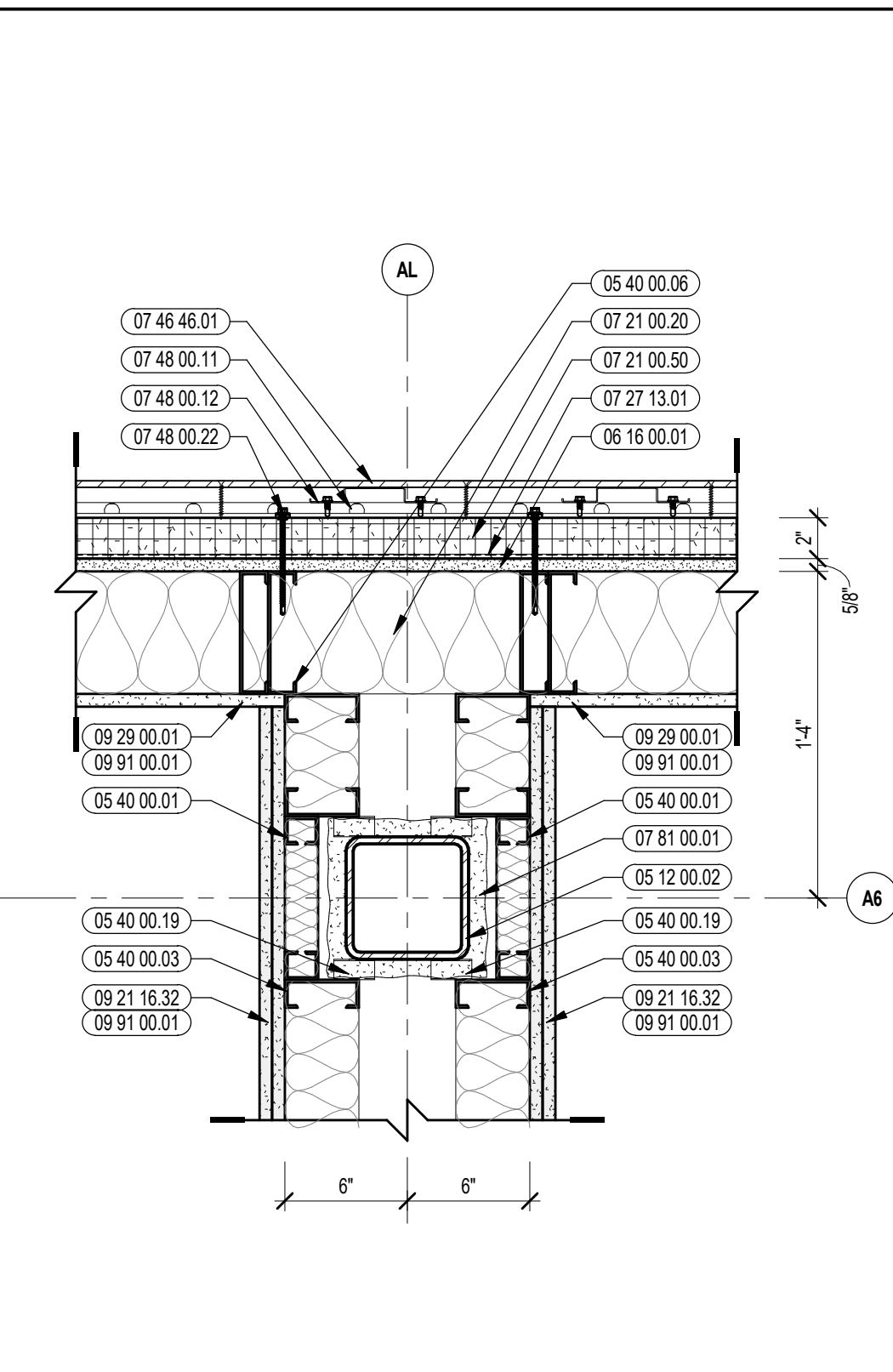
A5.46



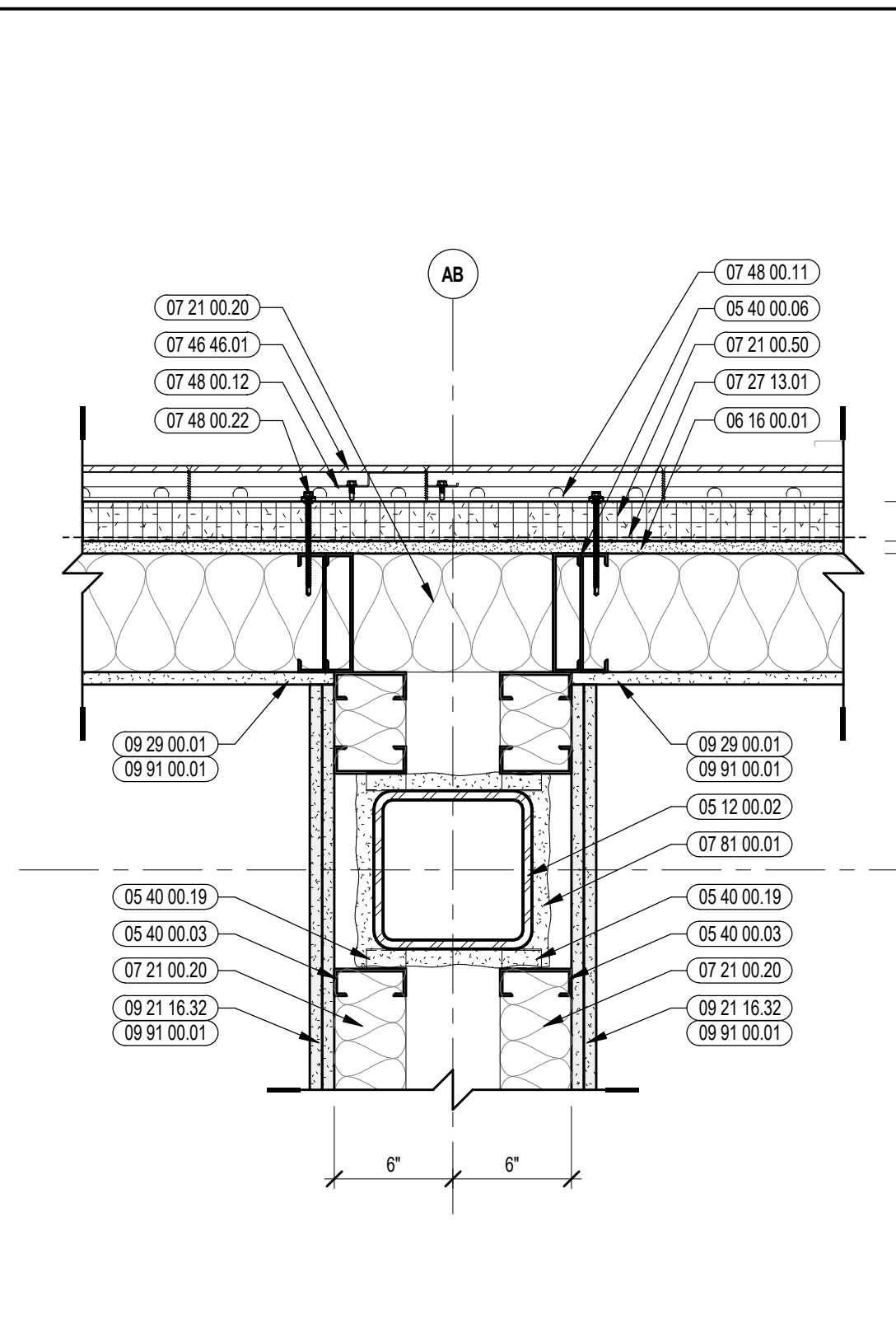
11 EXTERIOR PLAN DETAIL
1/12" = 1'-0"



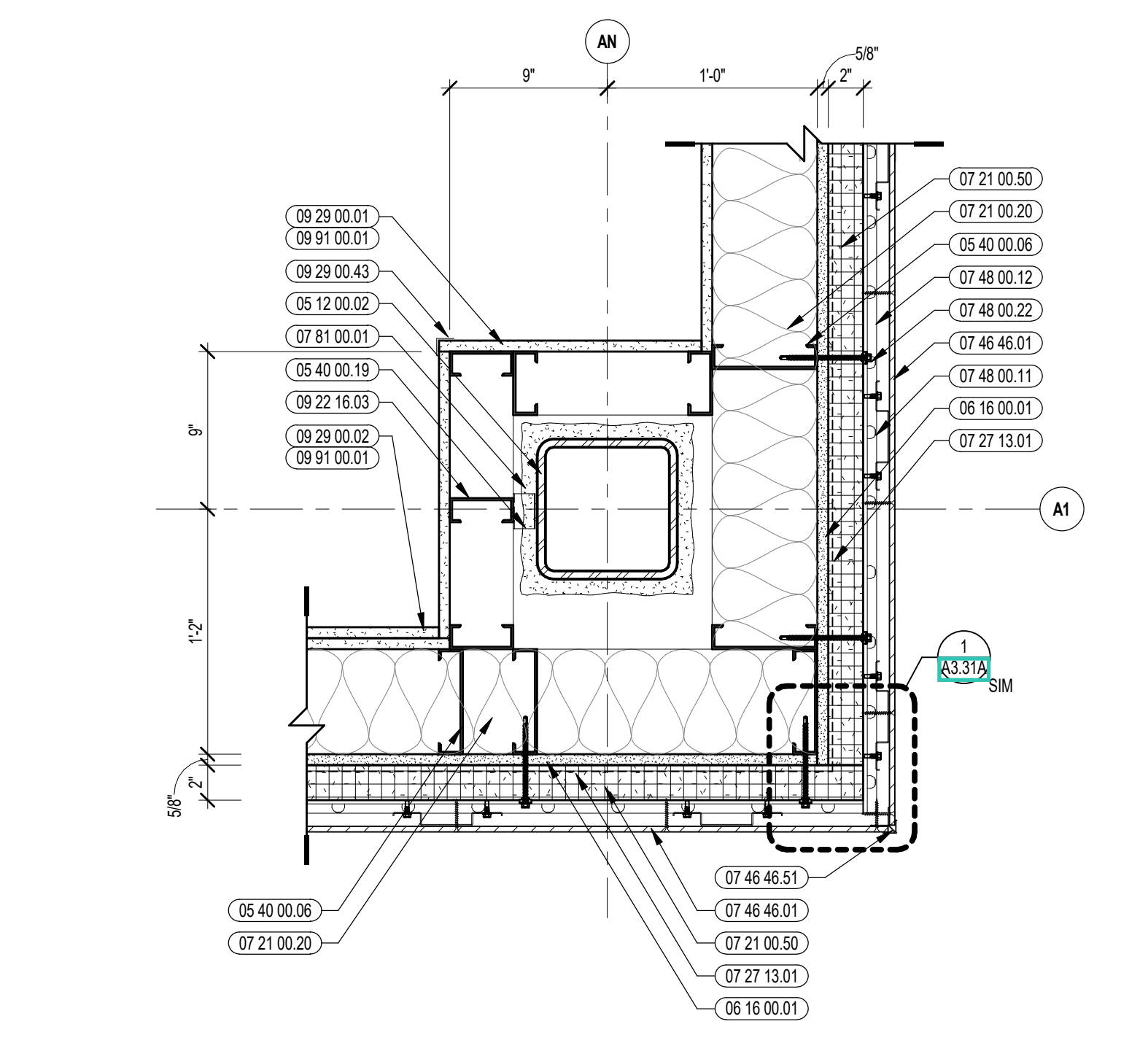
8 EXTERIOR PLAN DETAIL
1/12" = 1'-0"



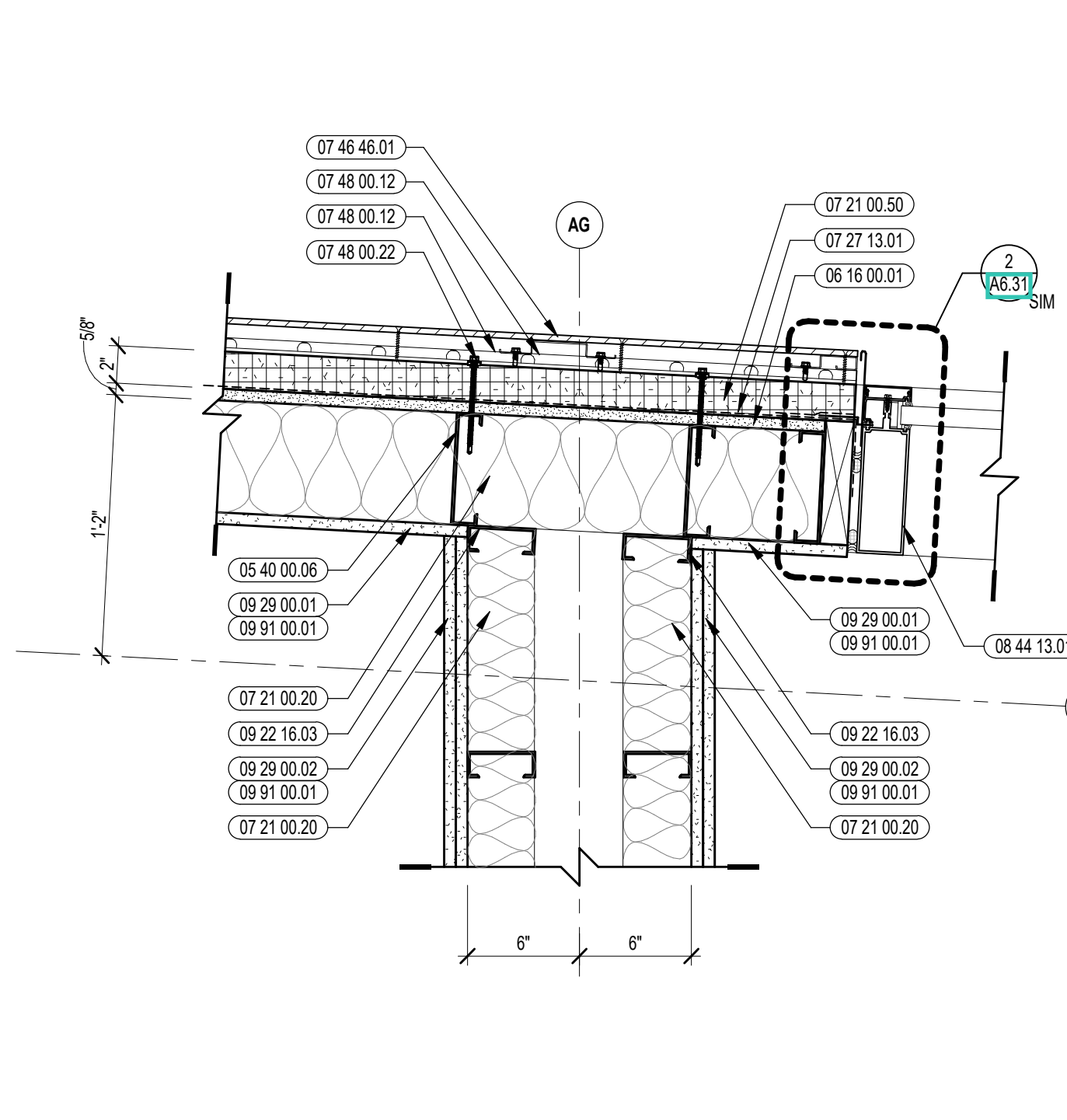
5 EXTERIOR PLAN DETAIL
1/12" = 1'-0"



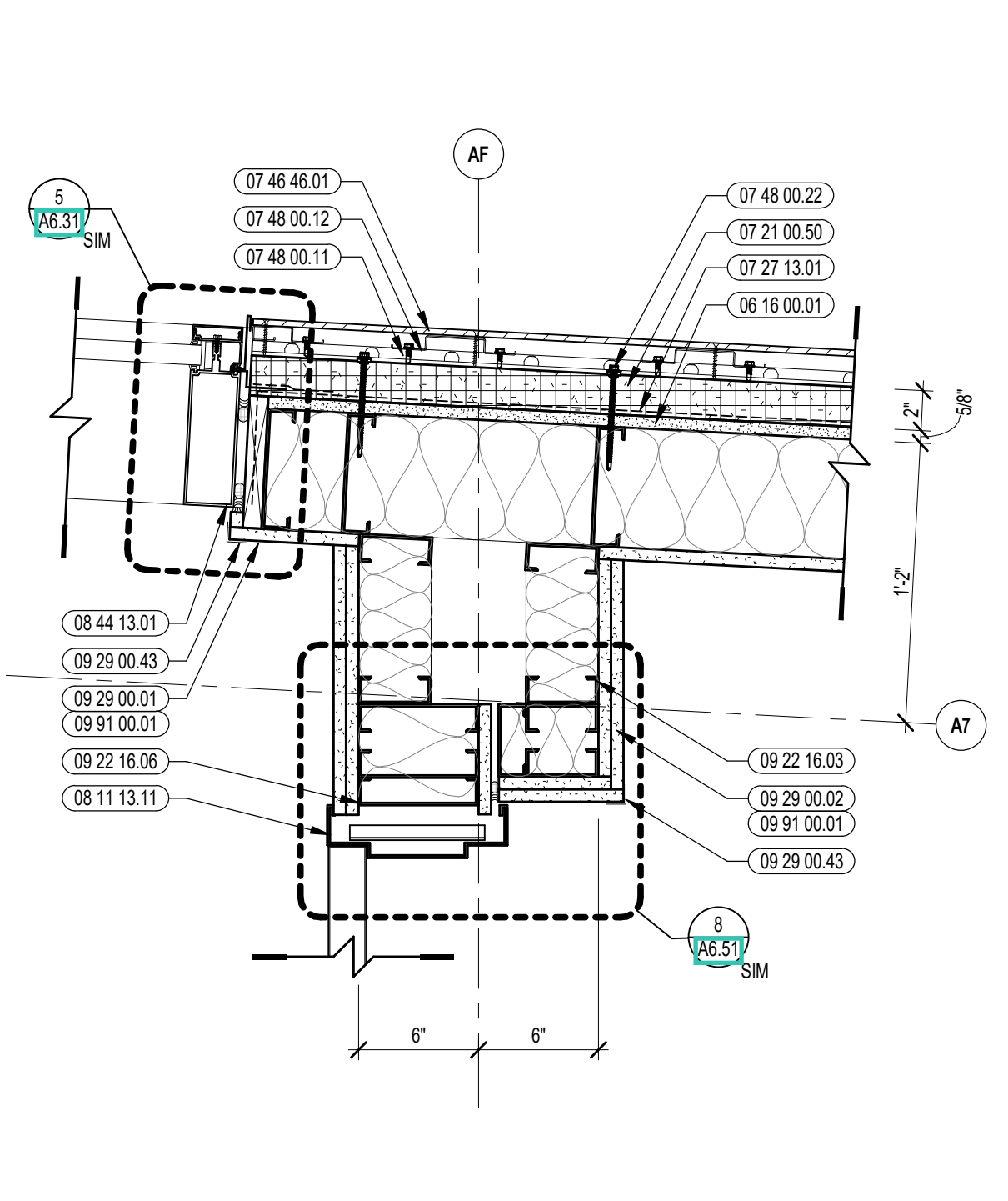
2 EXTERIOR PLAN DETAIL
1/12" = 1'-0"



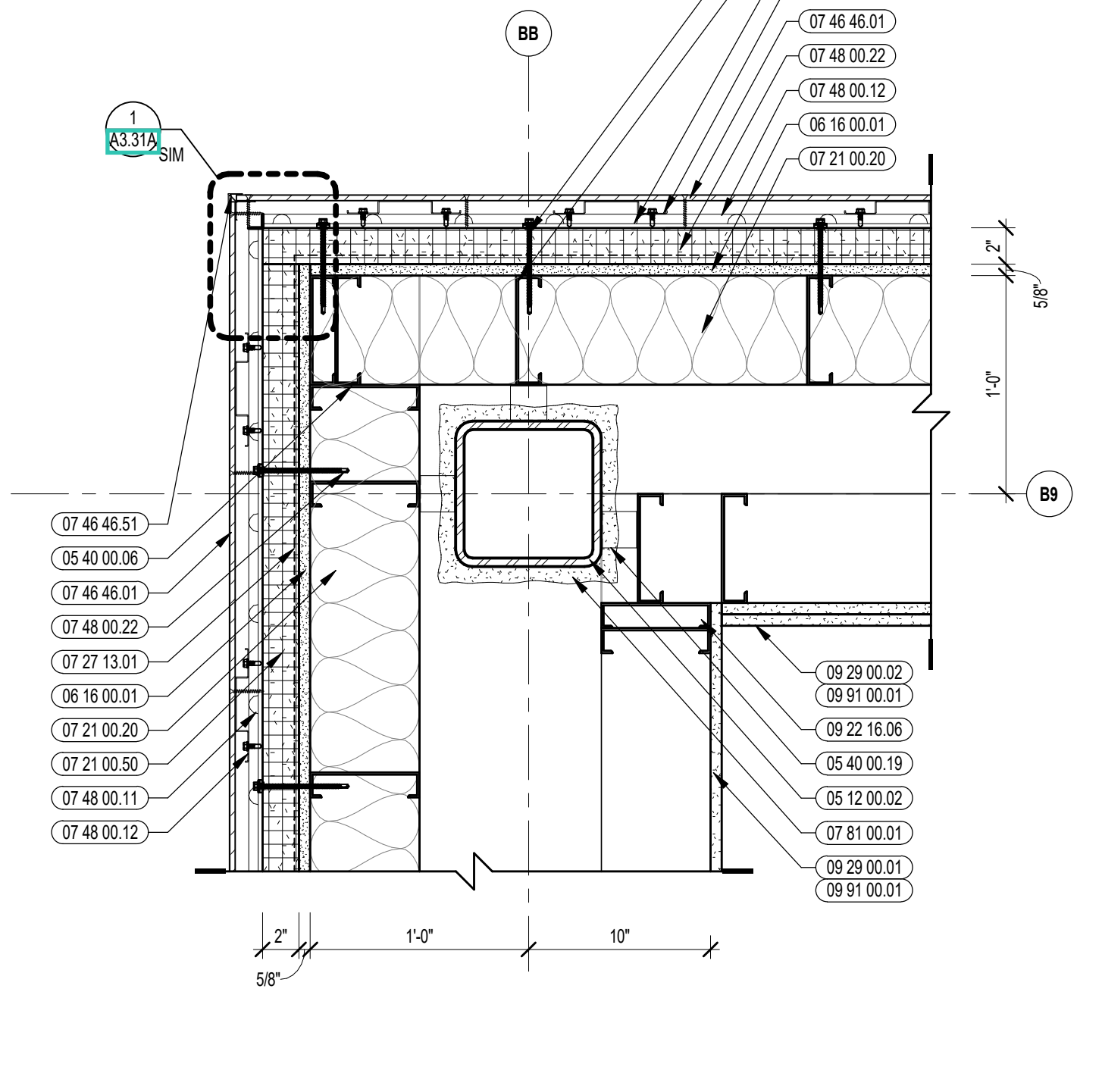
10 EXTERIOR PLAN DETAIL
1/12" = 1'-0"



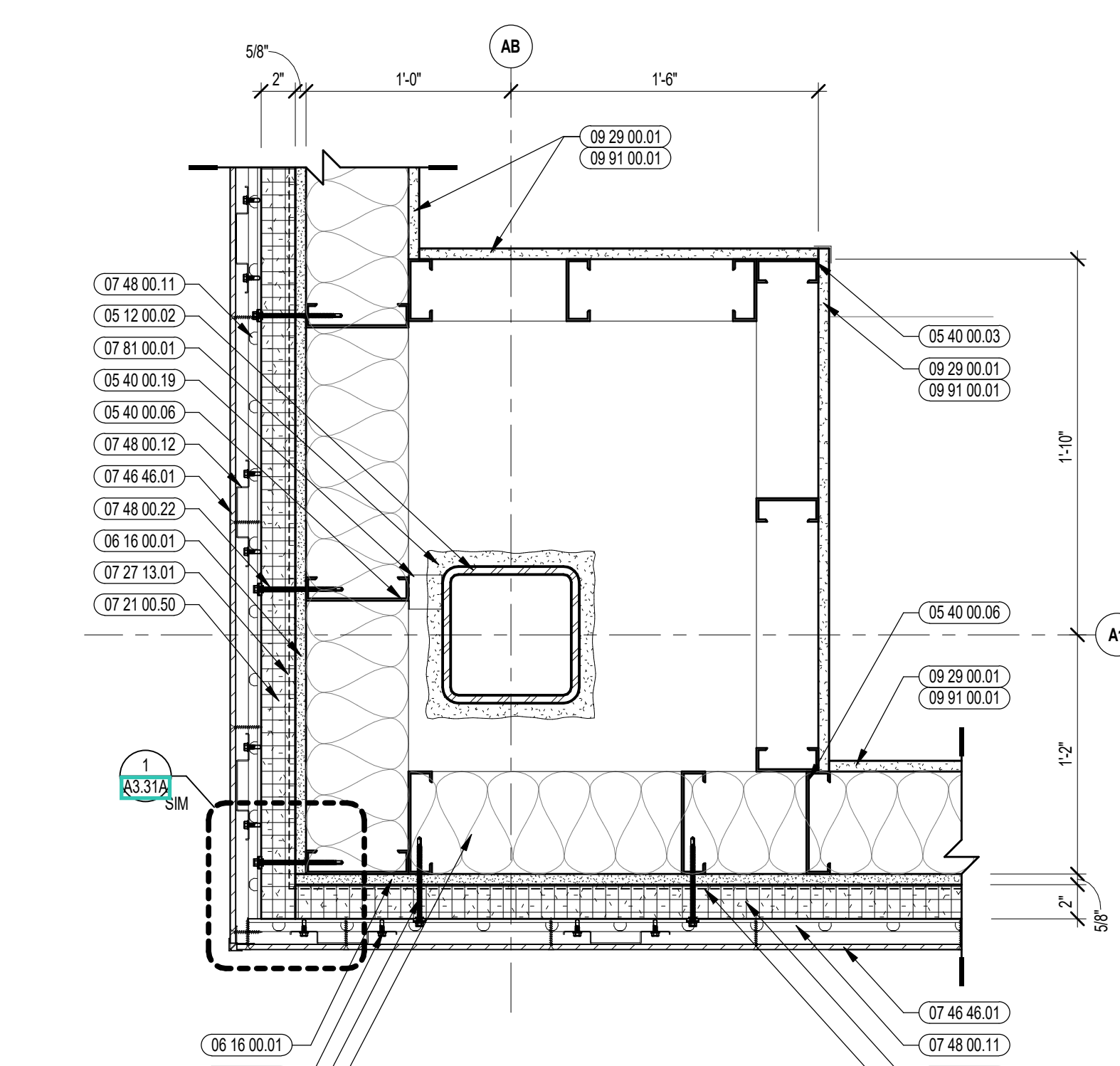
7 EXTERIOR PLAN DETAIL
1/12" = 1'-0"



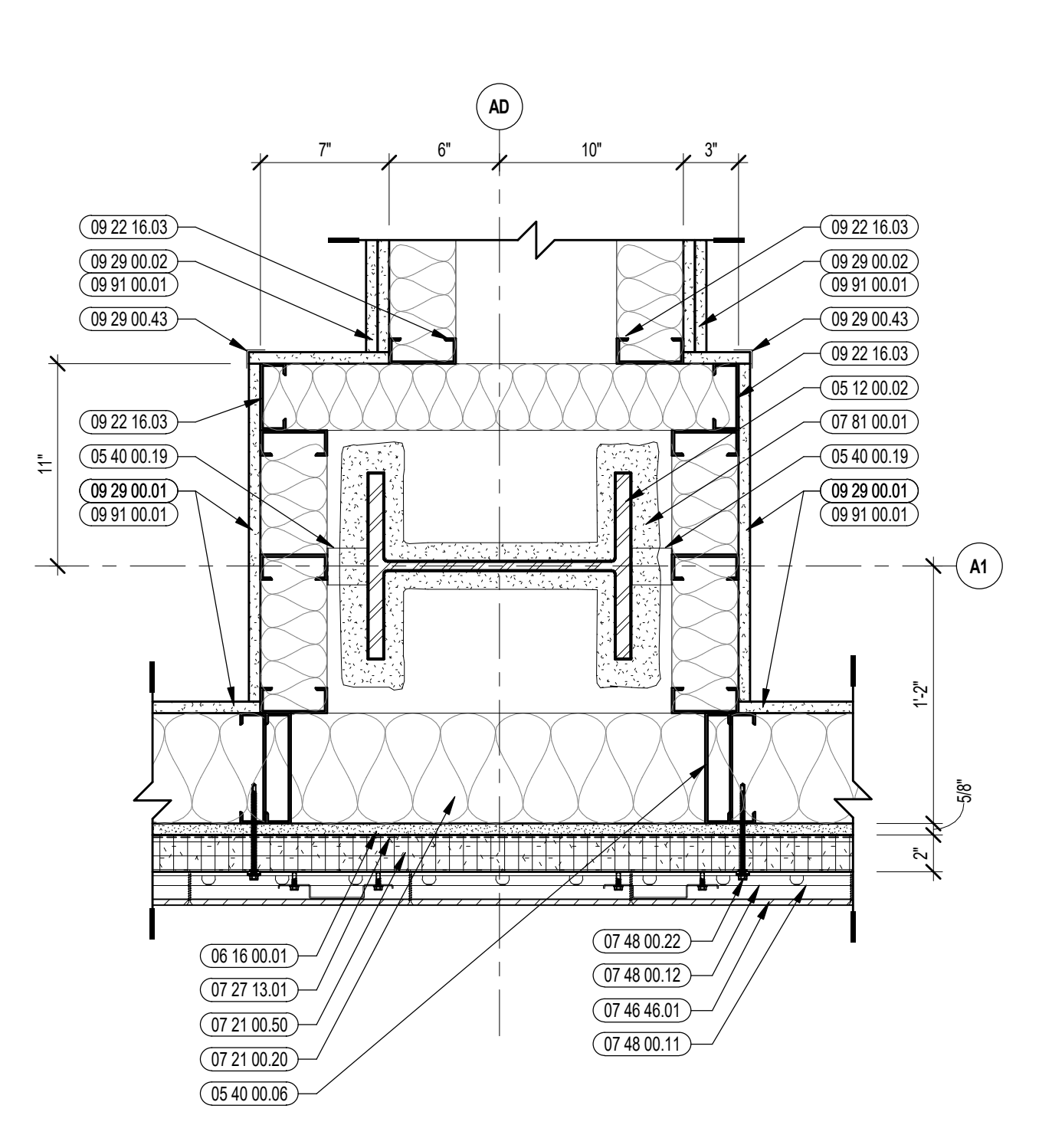
4 EXTERIOR PLAN DETAIL
1/12" = 1'-0"



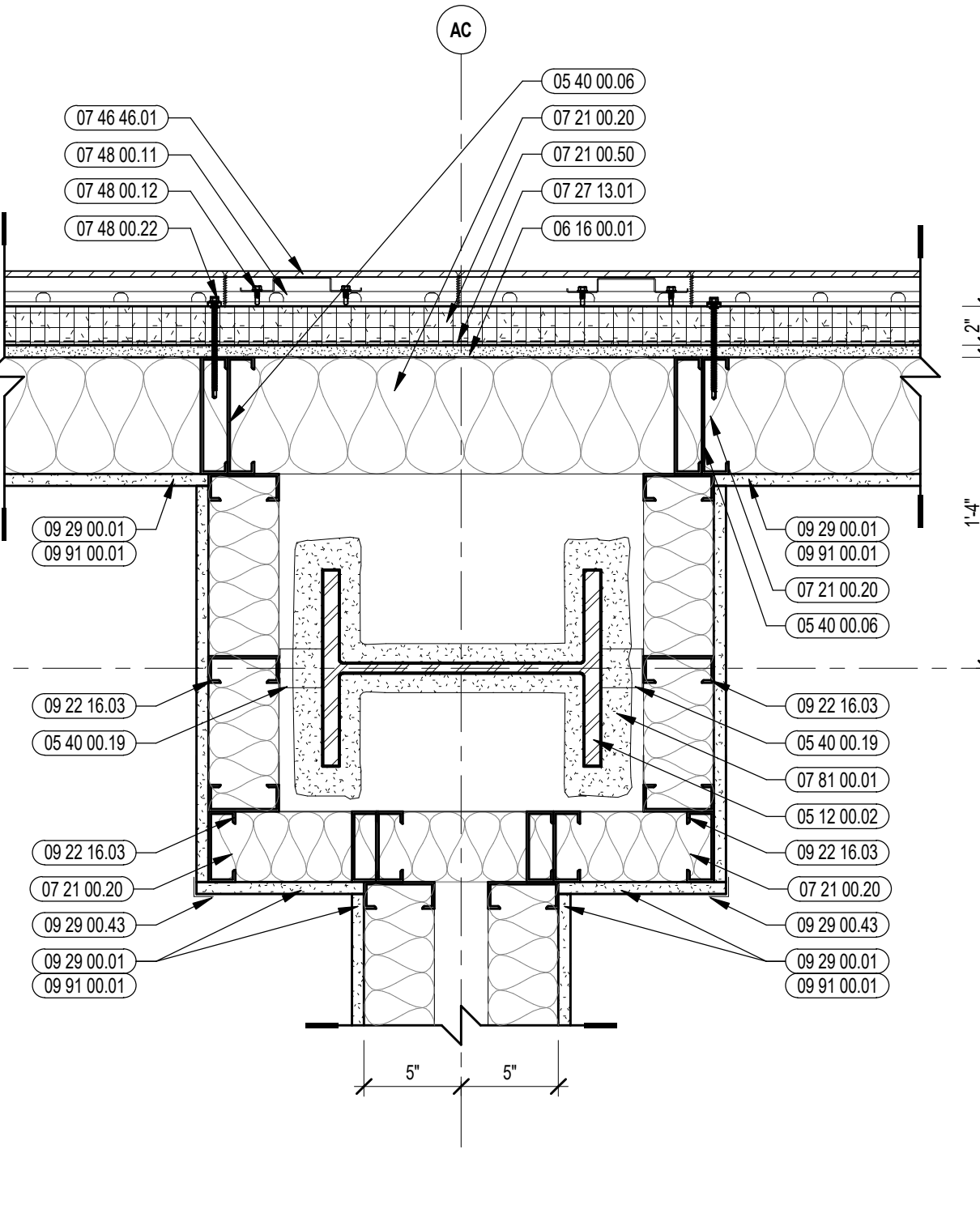
1B EXTERIOR PLAN DETAIL
1/12" = 1'-0"



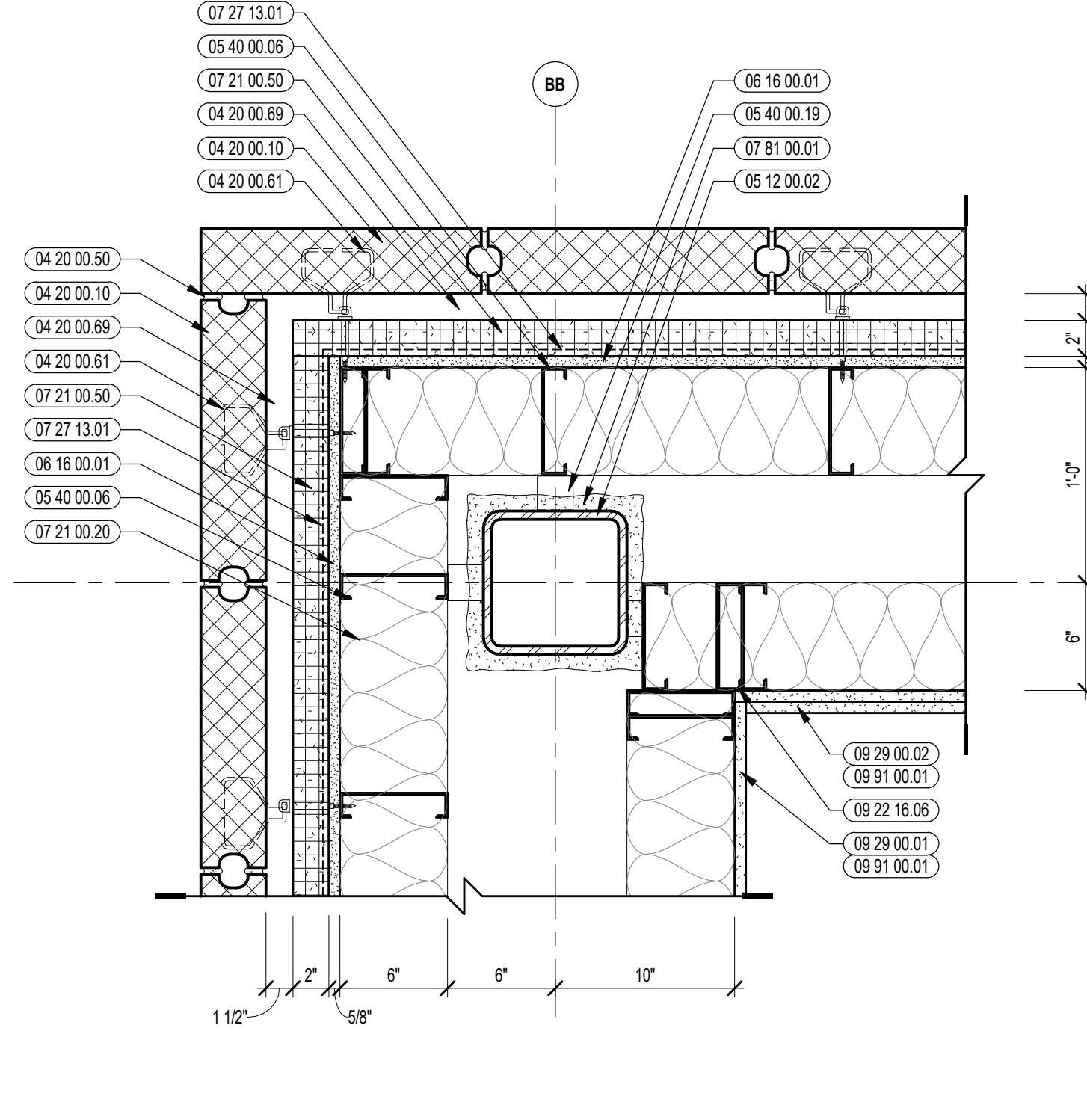
9 EXTERIOR PLAN DETAIL
1/12" = 1'-0"



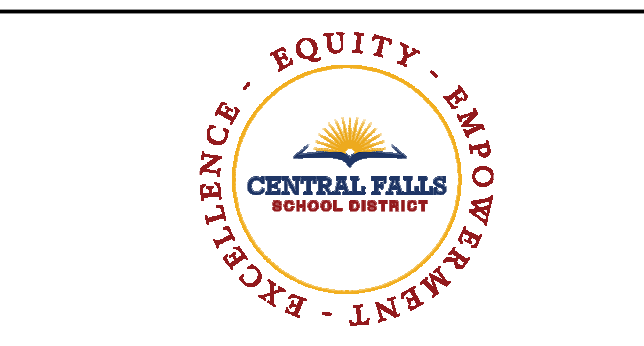
6 EXTERIOR PLAN DETAIL
1/12" = 1'-0"



3 EXTERIOR PLAN DETAIL
1/12" = 1'-0"



1A EXTERIOR PLAN DETAIL
1/12" = 1'-0"



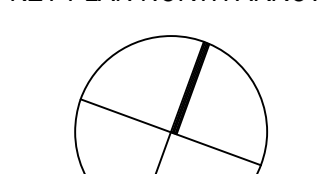
CENTRAL FALLS HIGH SCHOOL
10 HIGGINSON AVE, CENTRAL FALLS, RI

KEYNOTE LEGEND:

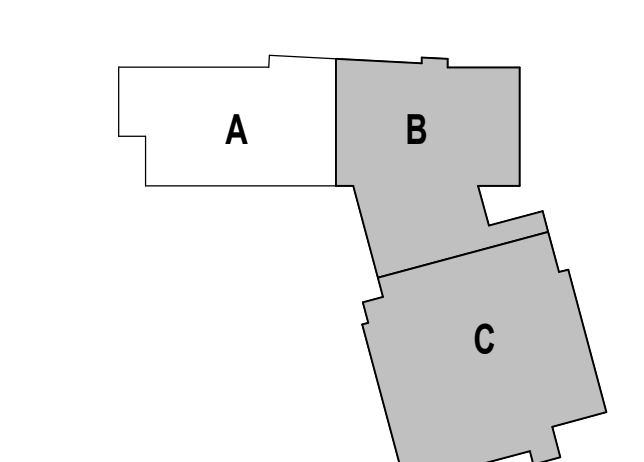
- 05 12 00 02 STEEL COLUMN - SEE STRUCTURAL
- 05 40 00 03 STEEL STUDS - 3/8 INCH - 16 INCHES O.C. MAX
- 05 40 00 06 STEEL STUDS - 8 INCH - 16 INCHES O.C. MAX
- 05 40 00 19 STEEL Z-FLIP - 16 GAGE MIN. - 1 INCH MIN. DEPTH - 16 INCHES O.C. MAX
- 06 16 00 01 GYPSUM EXTERIOR SHEATHING - 5/8 INCH
- 07 21 00 20 GLASS FIBER BLANKET INSULATION - MATCH DEPTH OF STUD - UNFACED
- 07 21 00 21 GLASS FIBER BLANKET INSULATION - MATCH DEPTH OF STUD - FACED
- 07 21 00 22 GLASS FIBER ACUSTICAL BLANKET INSULATION - MATCH DEPTH OF STUD - UNFACED
- 07 21 00 50 MINERAL WOOL INSULATION - RIGID - EXTERIOR - 2 INCH
- 07 27 13 01 AIR/VAPOR BARRIER MEMBRANE - SELF-ADHERING
- 07 46 46 01 MINERAL FIBER CEMENT PANEL - REFERENCE ELEVATIONS FOR COLOR
- 07 46 46 51 LOW PROFILE OUTSIDE CORNER
- 07 48 00 11 HORIZONTAL GRIT - REFER TO SHOP DRAWINGS FOR SIZE
- 07 48 00 12 VERTICAL PANEL RAIL - REFER TO SHOP DRAWINGS FOR SIZE
- 07 48 00 16 VERTICAL TERMINATION GRIT - REFER TO SHOP DRAWINGS FOR SIZE
- 07 48 00 21 STAINLESS STEEL SELF-DRILLING SCREW WITH THERMAL ISOLATION
- 07 81 00 01 CEMENTITIOUS FIREPROOFING
- 08 43 13 01 ALUMINUM STOREFRONT FRAME
- 08 43 13 05 PERIMETER SEALANT
- 08 44 13 01 ALUMINUM CURTAIN WALL FRAME
- 08 44 13 03 PREFINISHED ALUMINUM FLASHING
- 08 44 13 20 SEALANT & BACKER ROD
- 09 21 16 02 GYPSUM BOARD - 5/8 INCH TYPE X - 2 LAYERS
- 09 22 16 01 METAL STUD - 5/8 INCH - 16 INCHES O.C. MAX
- 09 22 16 02 METAL STUD - 1/2 INCH - 16 INCHES O.C. MAX
- 09 22 16 03 METAL STUD - 5/8 INCH - 16 INCHES O.C. MAX
- 09 22 16 06 METAL STUD 6 INCH - 16 INCHES O.C. MAX
- 09 29 00 01 5/8 INCH GYPSUM BOARD - LEVEL 4 FINISH - 1 LAYER
- 09 29 00 02 5/8 INCH GYPSUM BOARD - LEVEL 4 FINISH - 2 LAYERS
- 09 29 00 43 CORNER BEAD
- 09 91 00 01 PAINT - SEE SCHEDULE

100% CONSTRUCTION DOCUMENTS

KEY PLAN NORTH ARROW



KEYPLAN



DRAWING NAME:

EXTERIOR PLAN DETAILS

DRAWN BY: MS / BFC

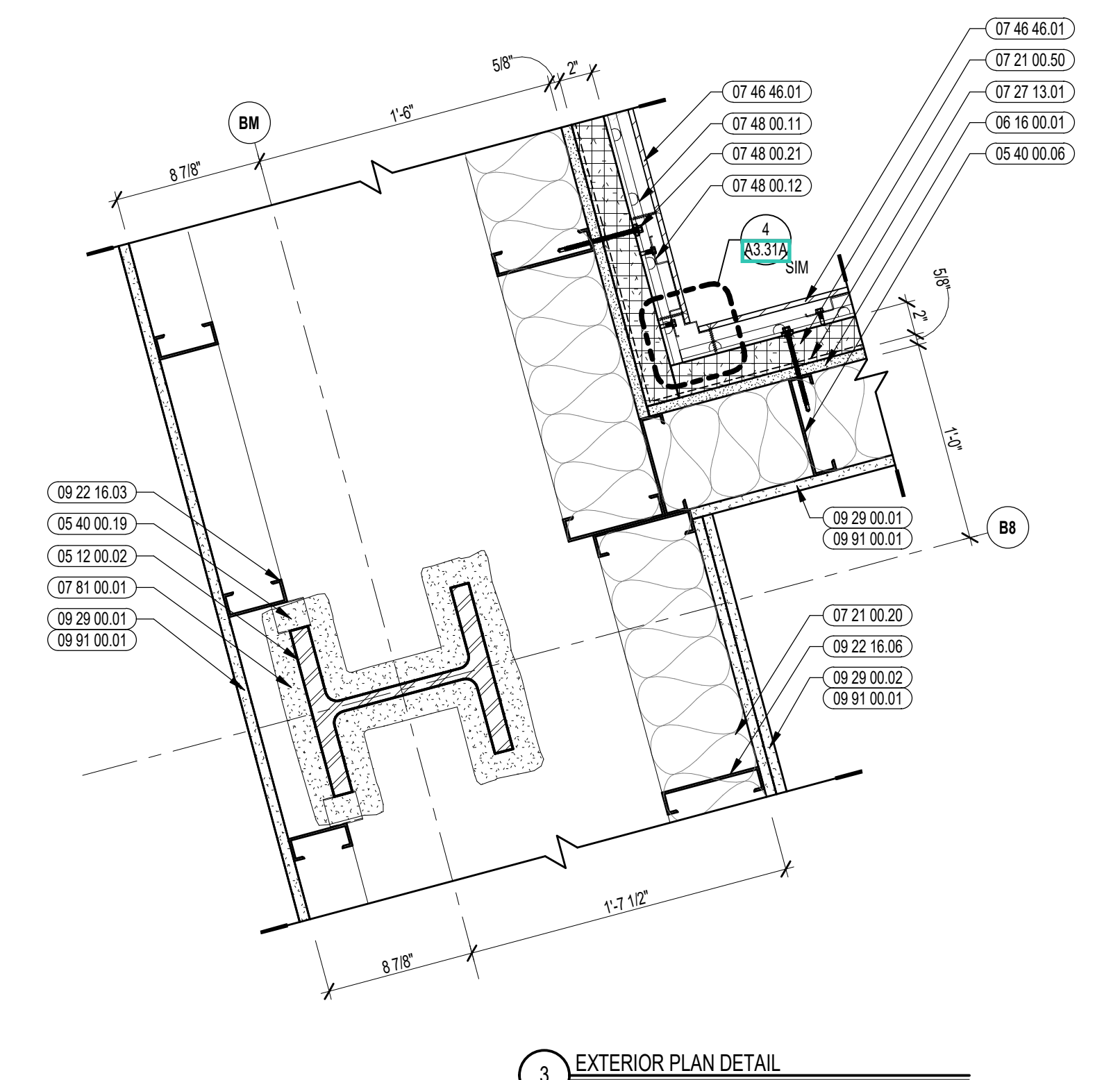
REVIEWED BY: CHR/KK

SCALE: AS INDICATED | DRAWING NUMBER:

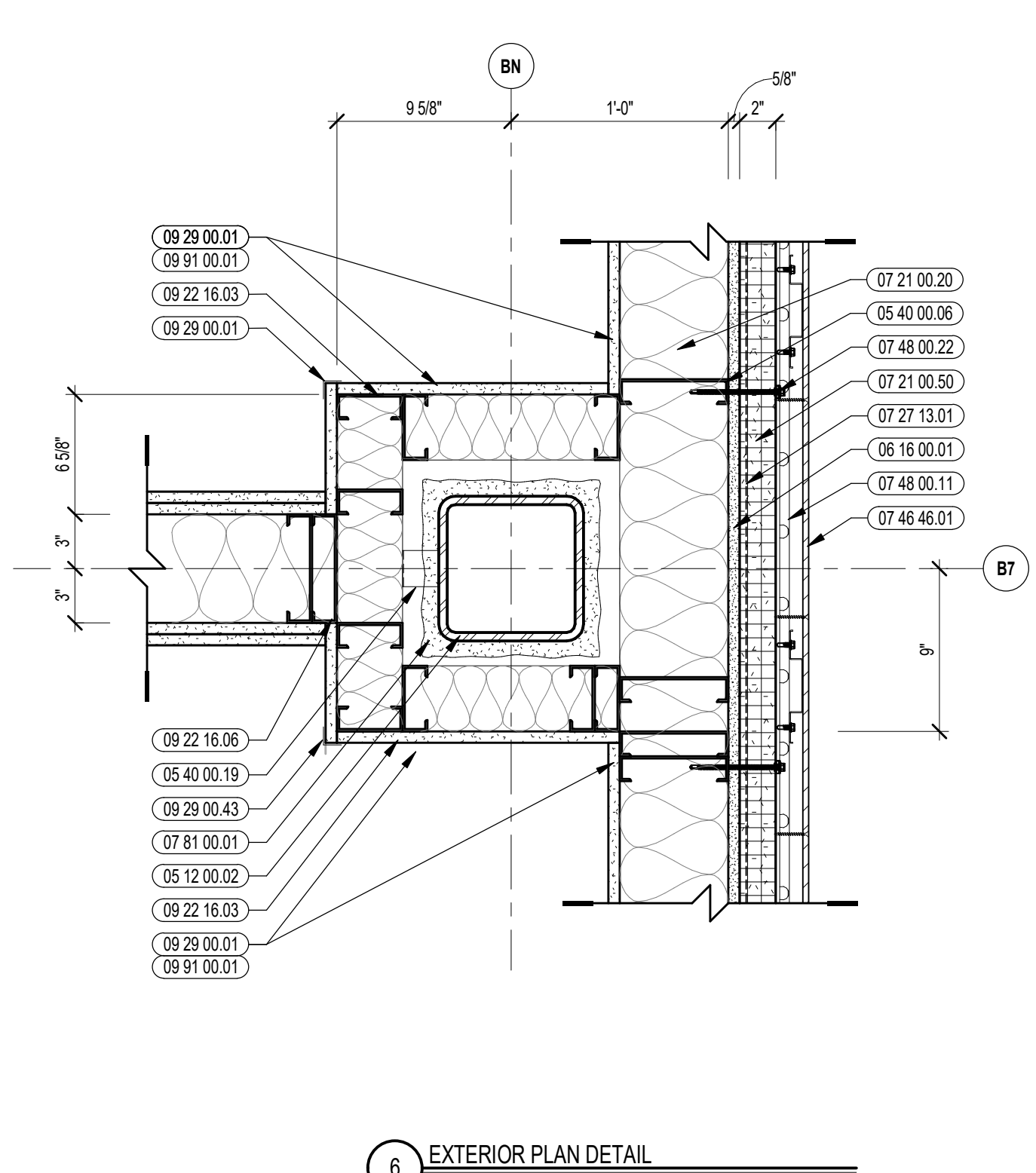
JOB NO.: 2202.02

DATE: OCTOBER 13, 2023

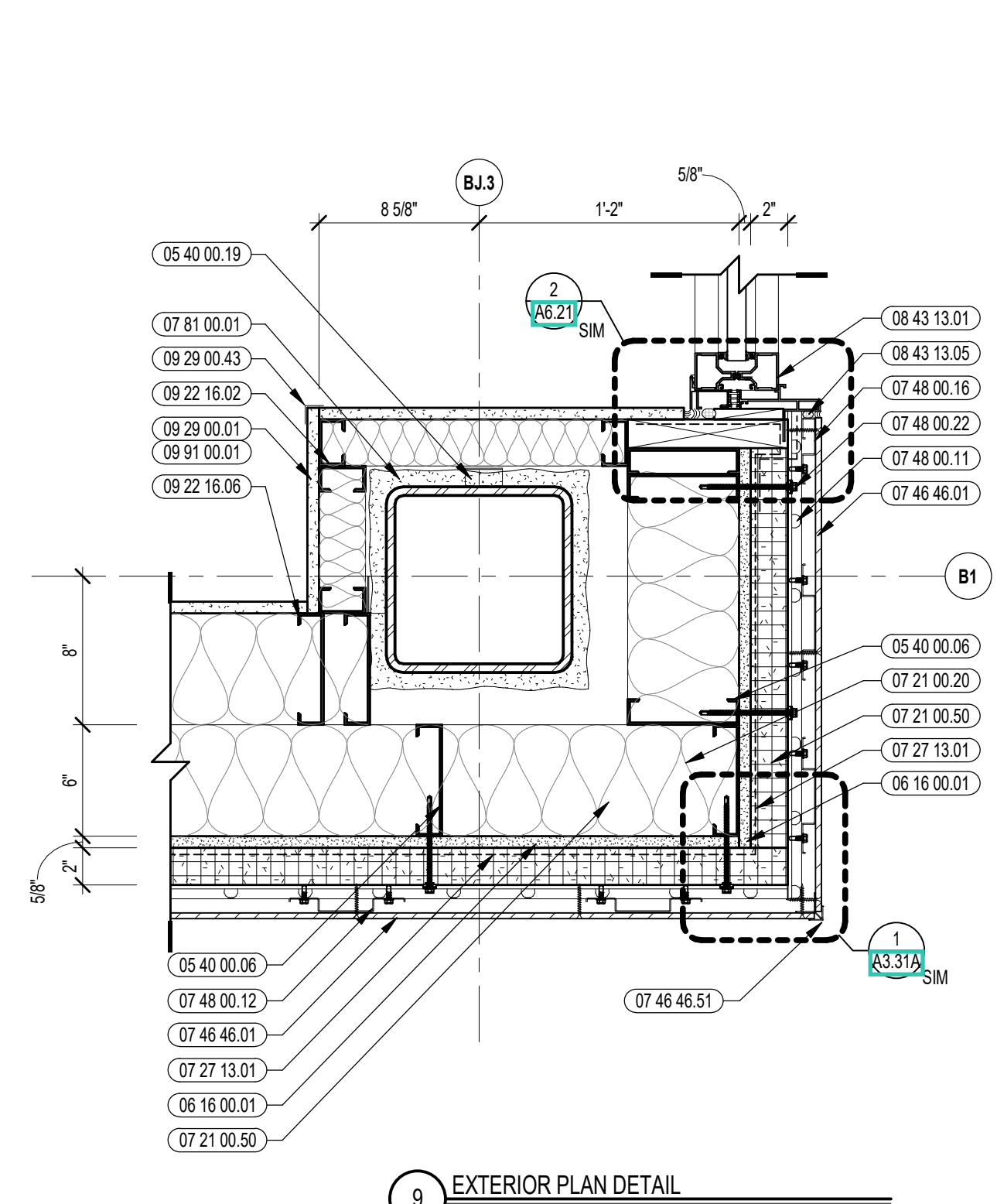
A5.47



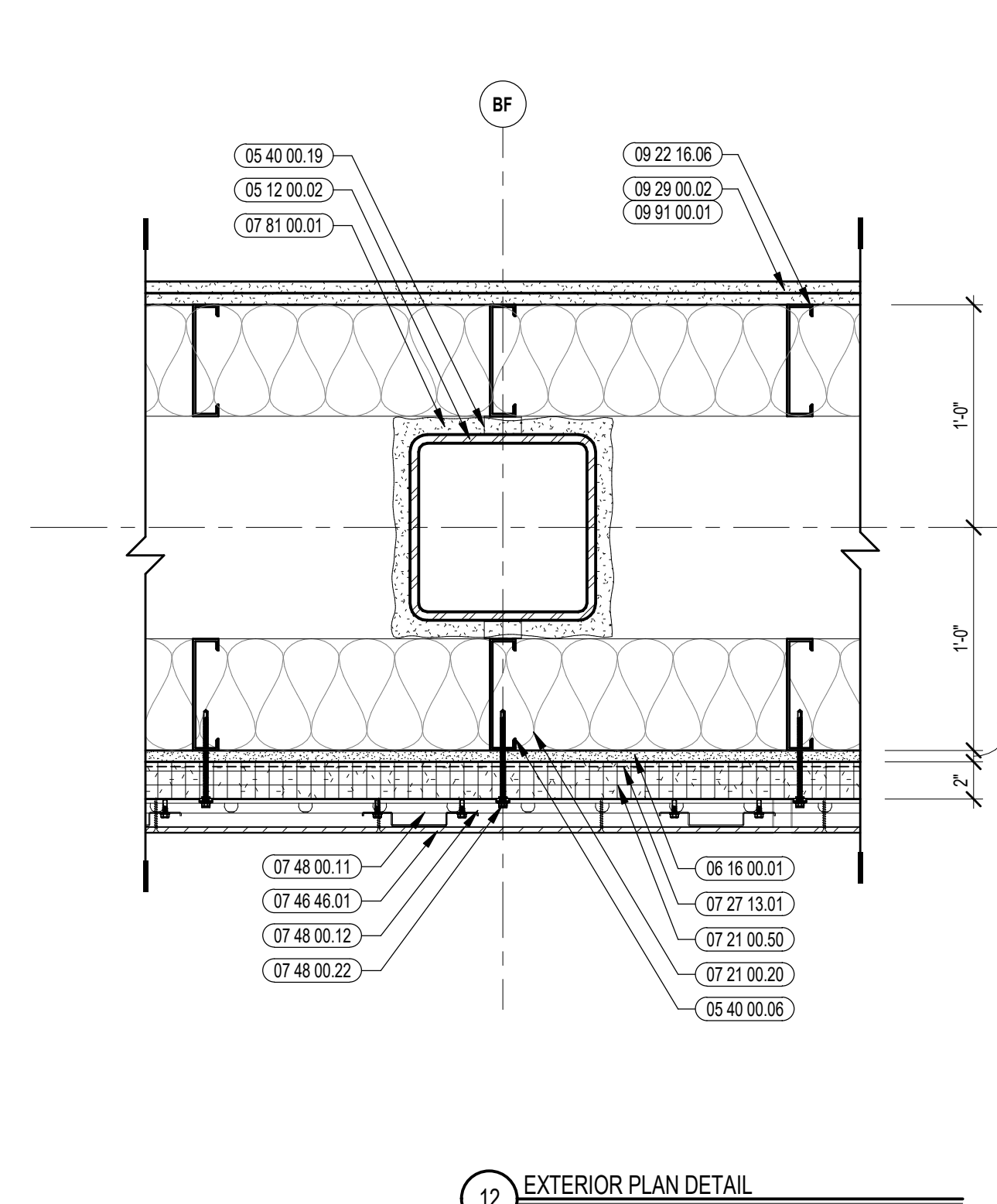
3 EXTERIOR PLAN DETAIL
1/12" = 1'-0"



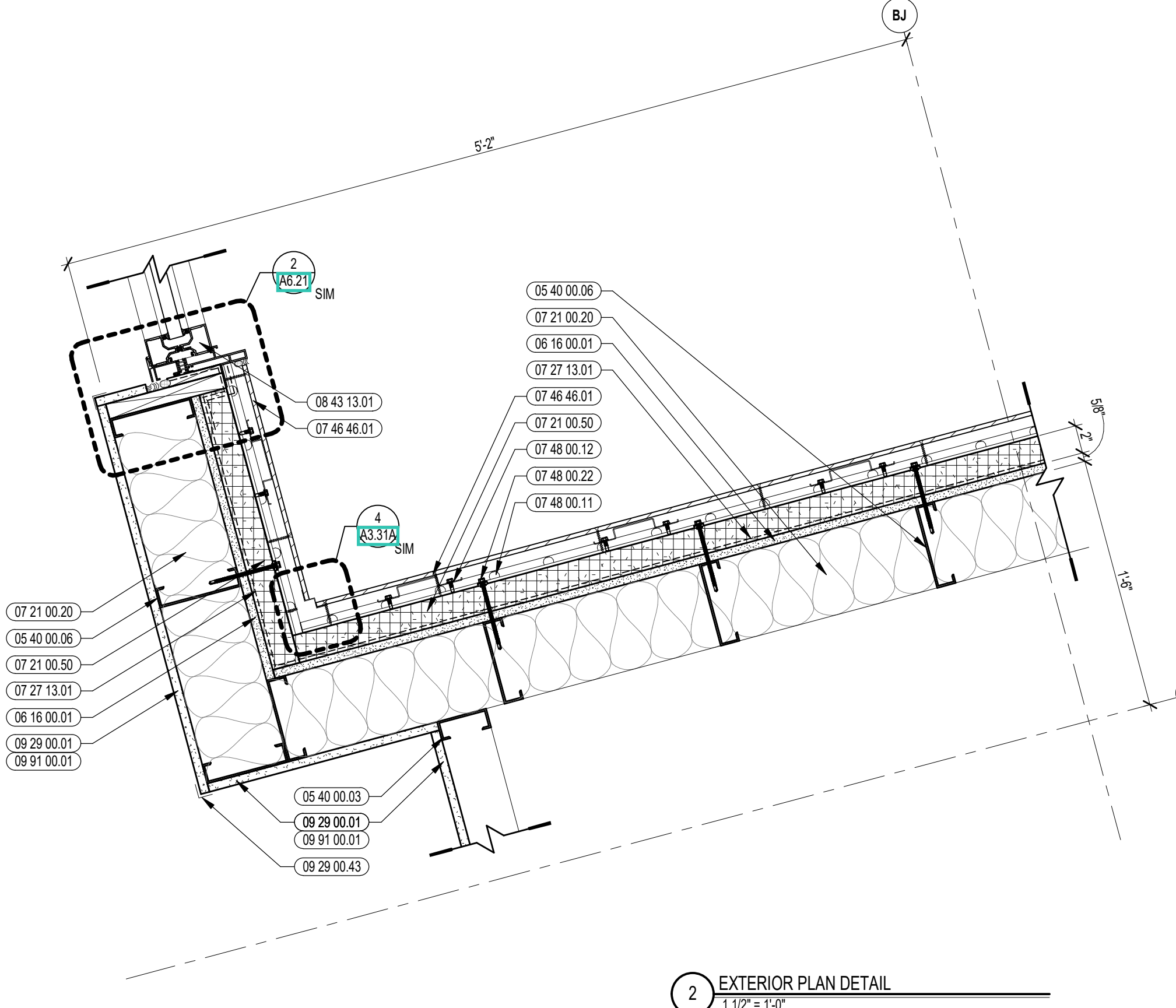
6 EXTERIOR PLAN DETAIL
1/12" = 1'-0"



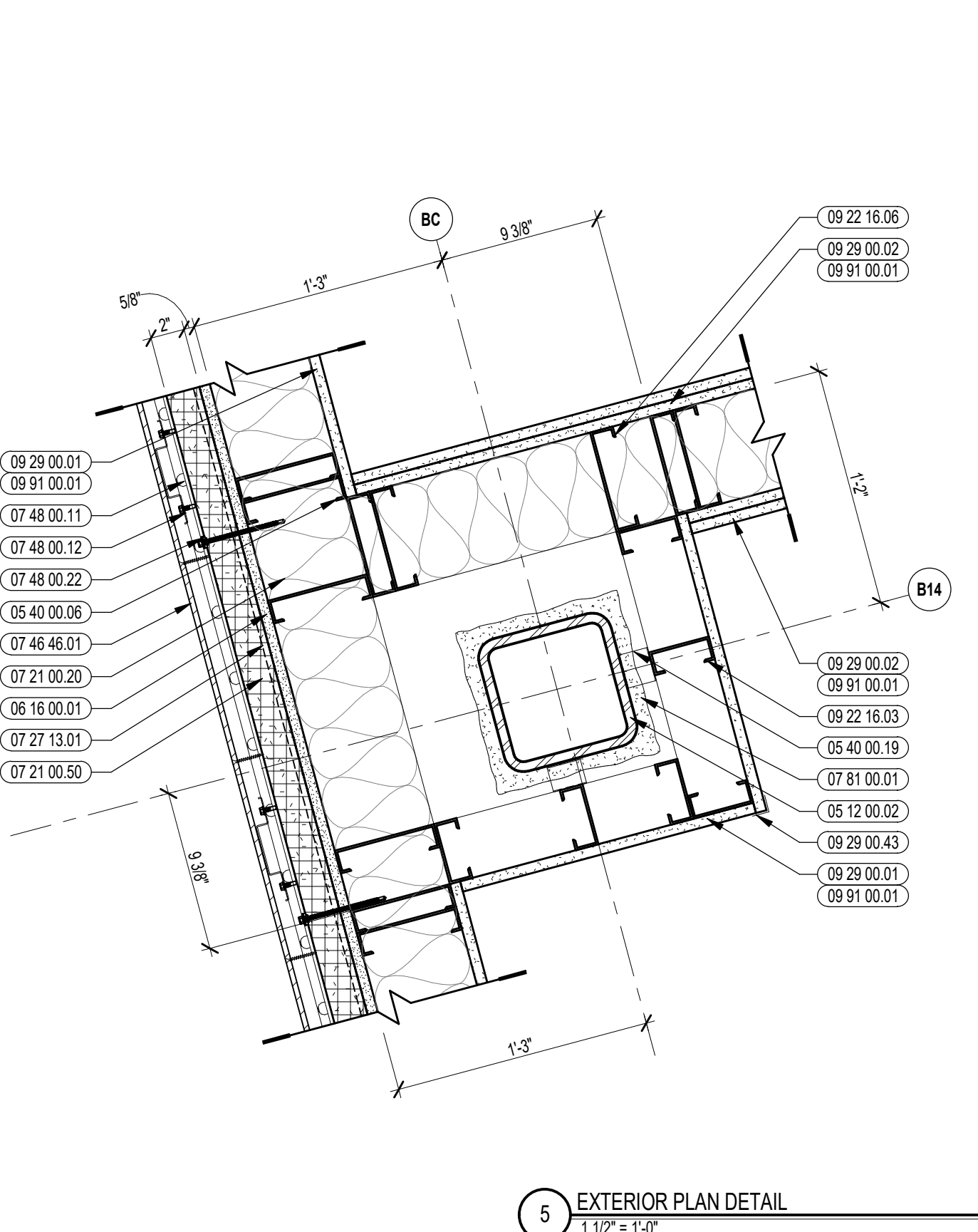
9 EXTERIOR PLAN DETAIL
1/12" = 1'-0"



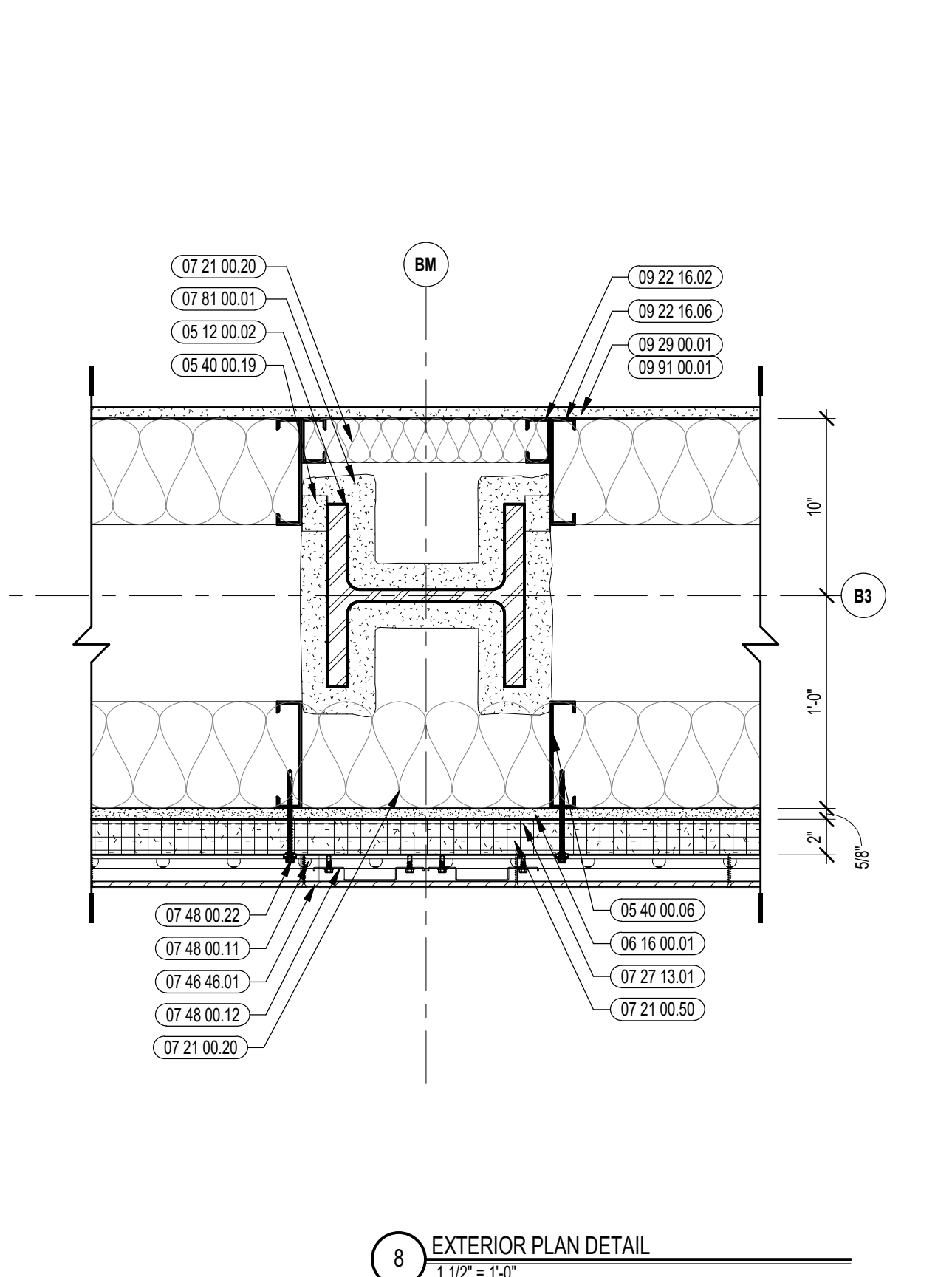
12 EXTERIOR PLAN DETAIL
1/12" = 1'-0"



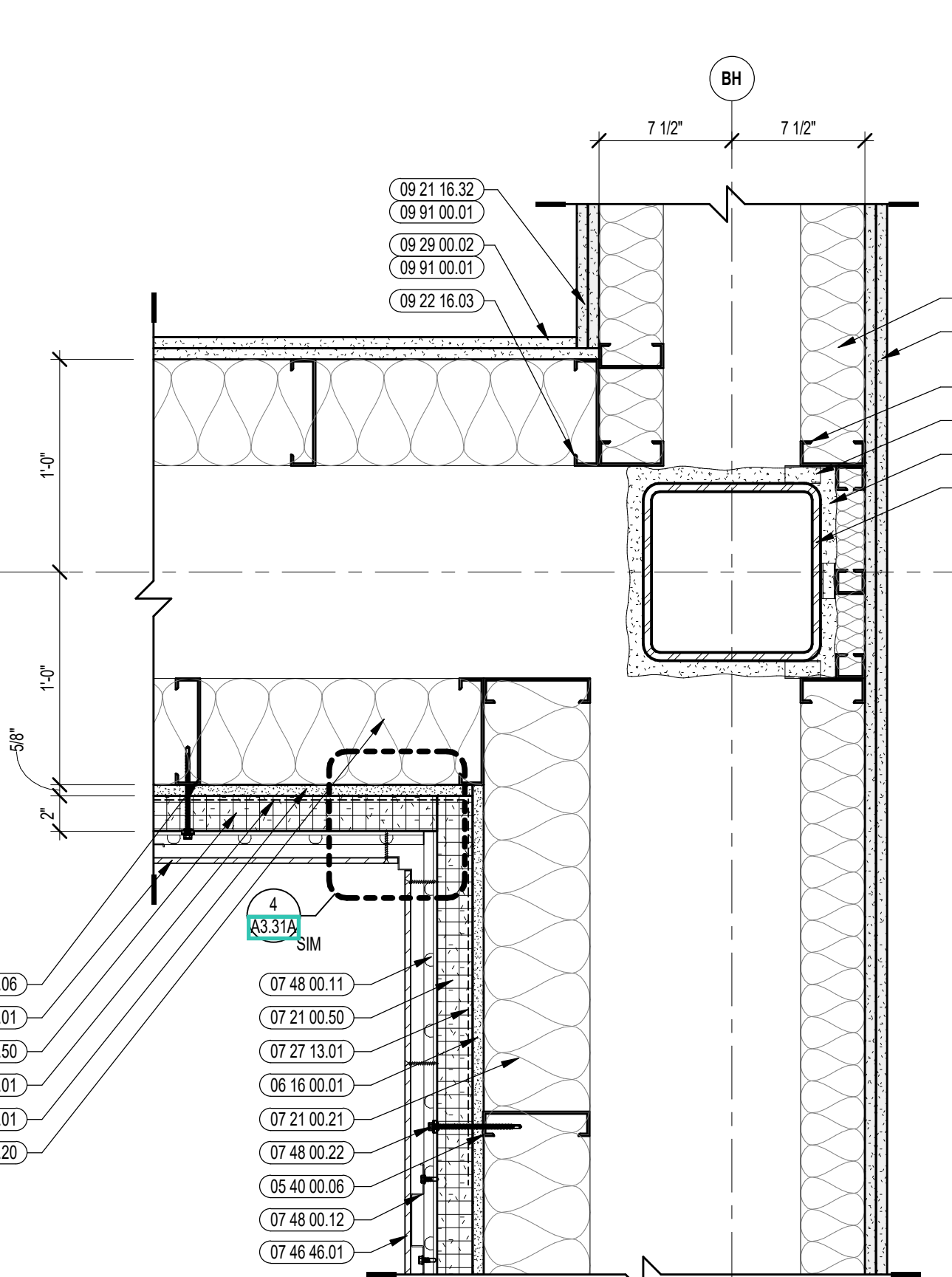
2 EXTERIOR PLAN DETAIL
1/12" = 1'-0"



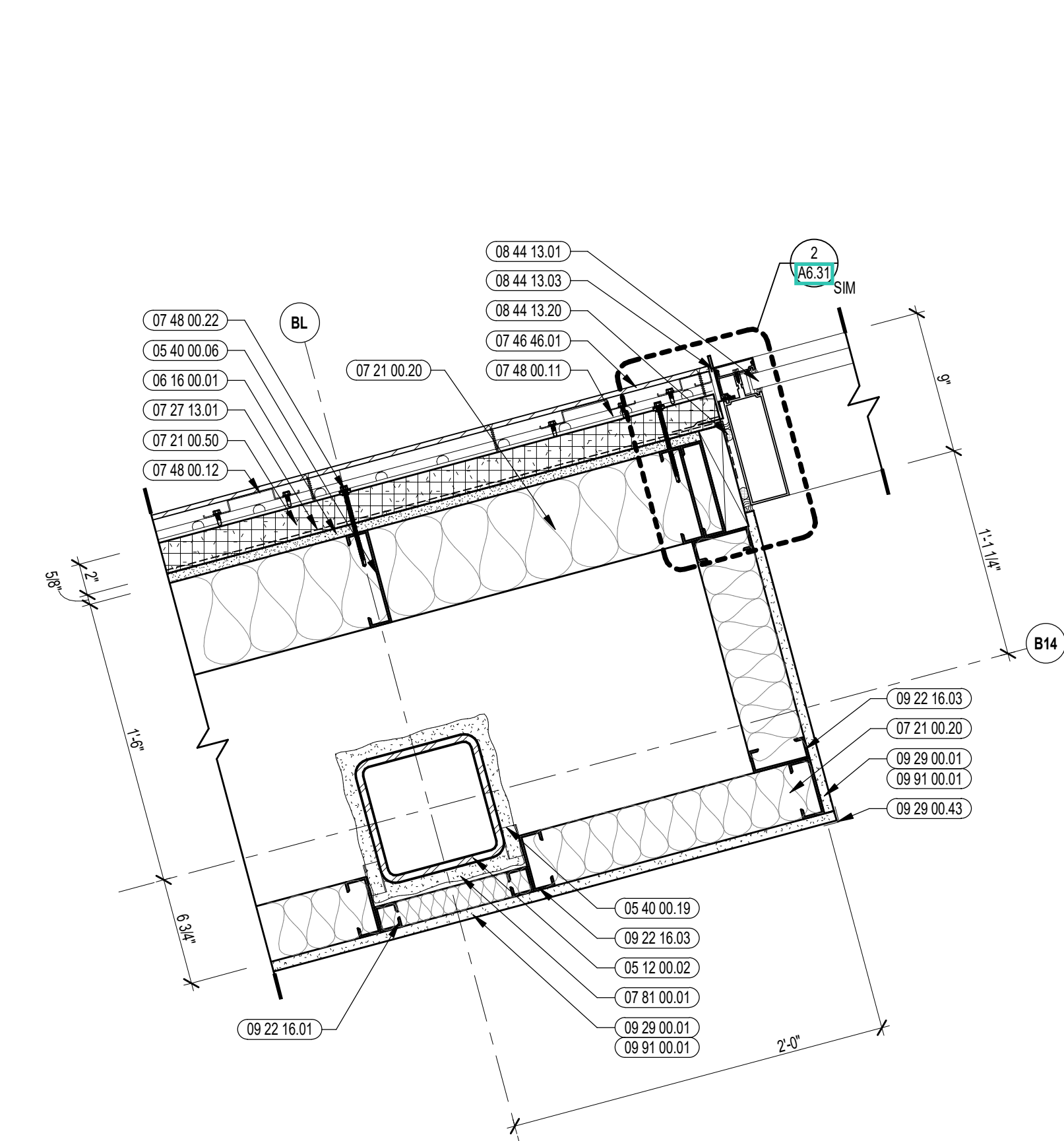
5 EXTERIOR PLAN DETAIL
1/12" = 1'-0"



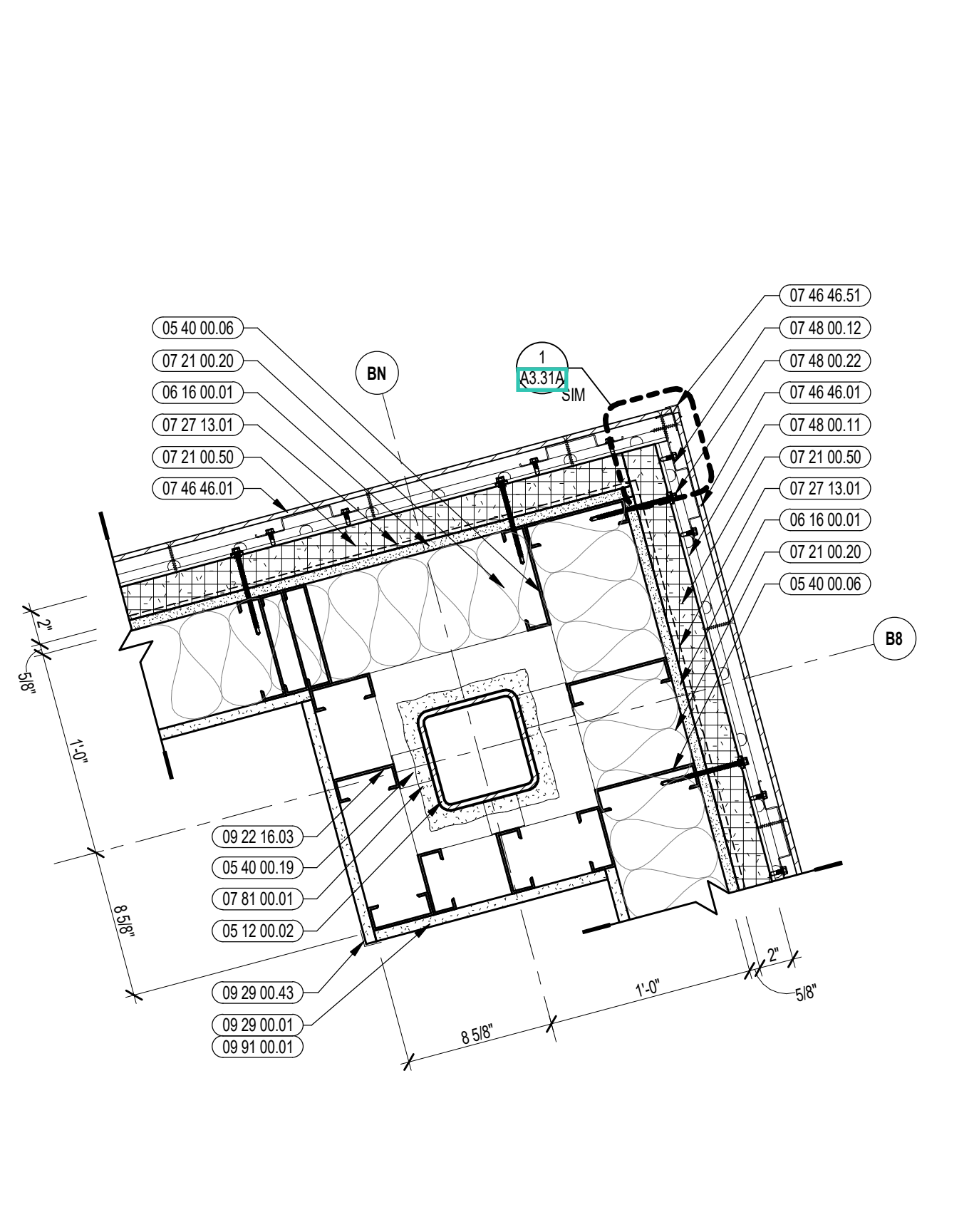
8 EXTERIOR PLAN DETAIL
1/12" = 1'-0"



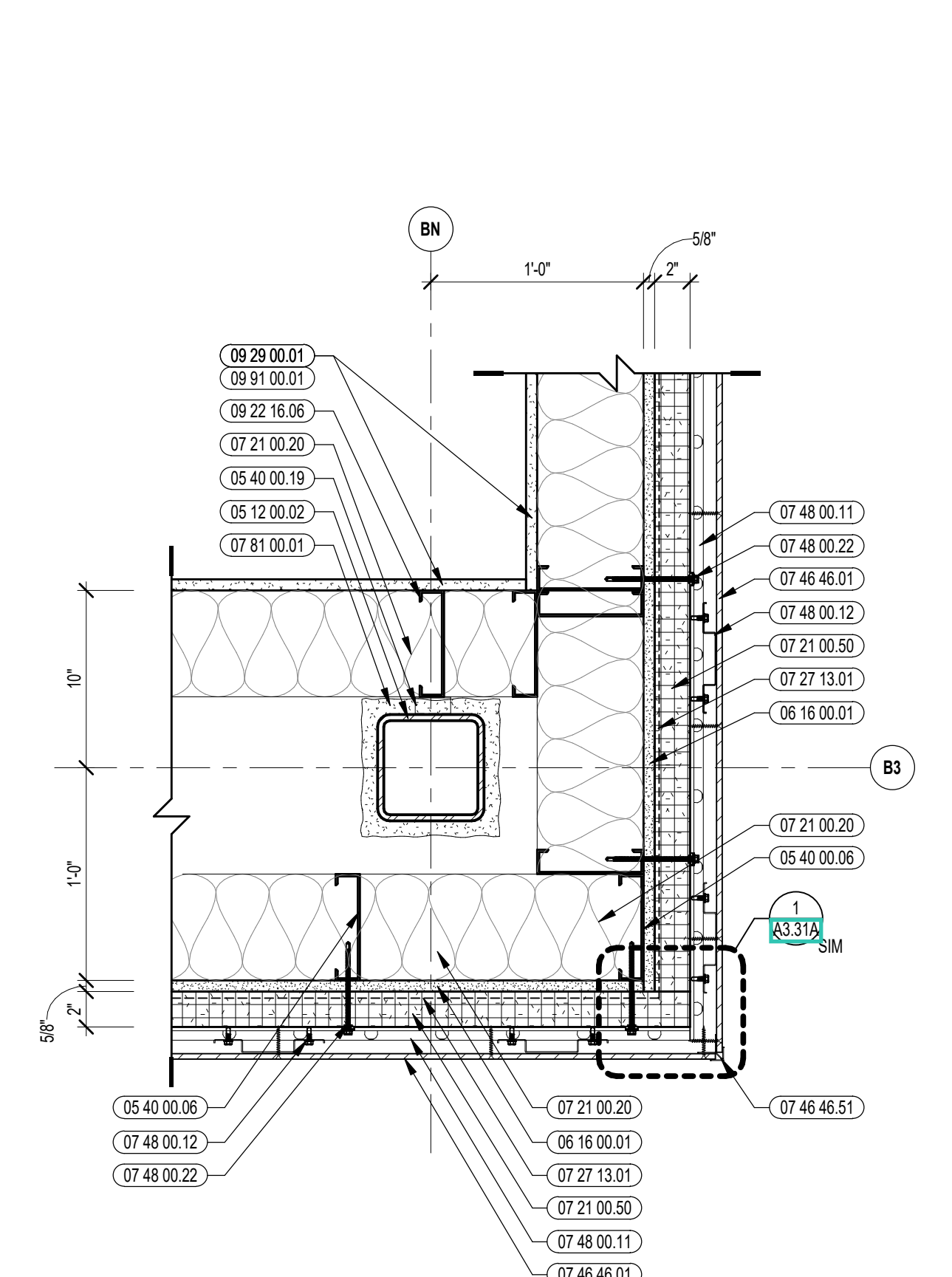
11 EXTERIOR PLAN DETAIL
1/12" = 1'-0"



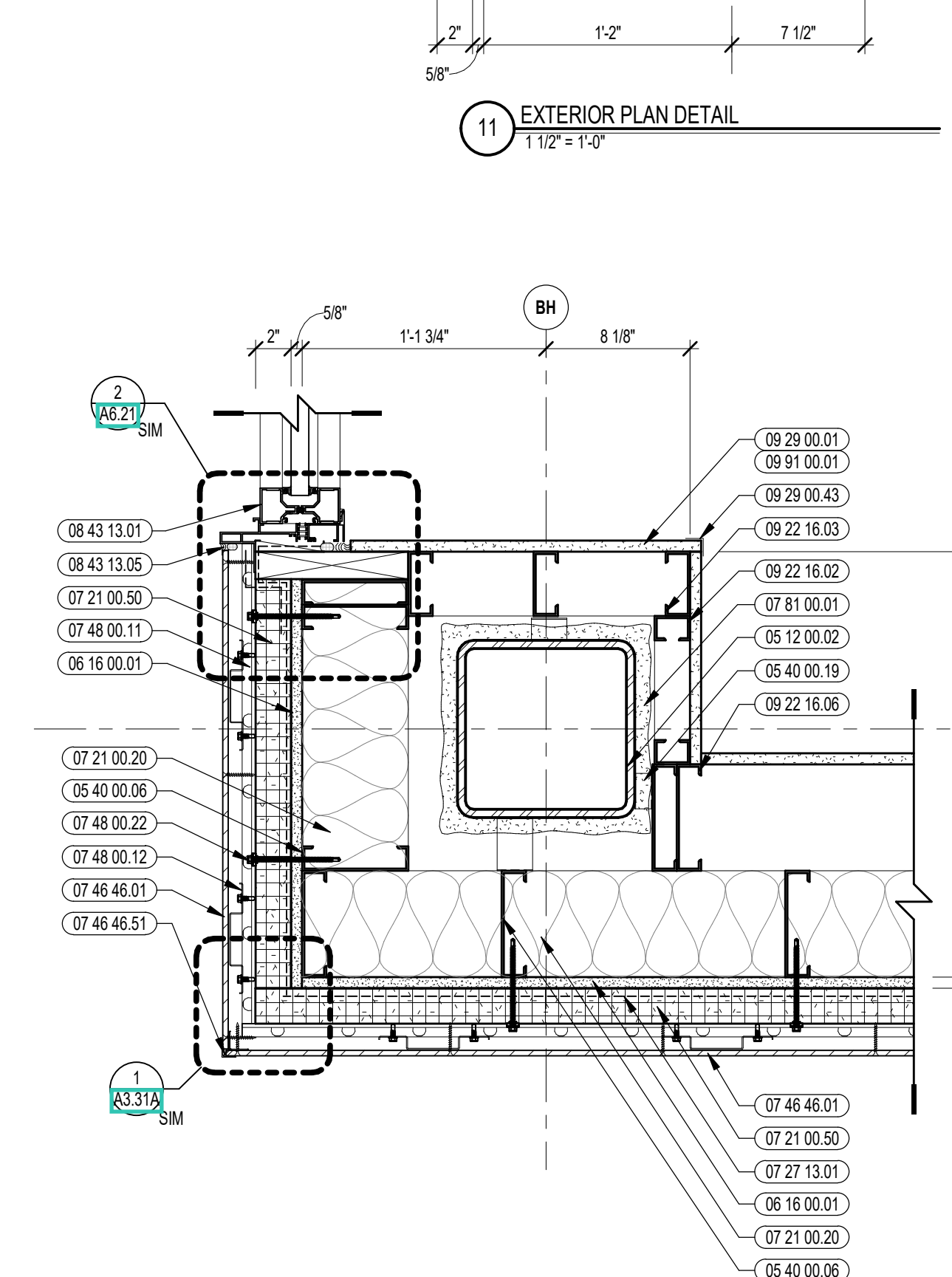
1 EXTERIOR PLAN DETAIL
1/12" = 1'-0"



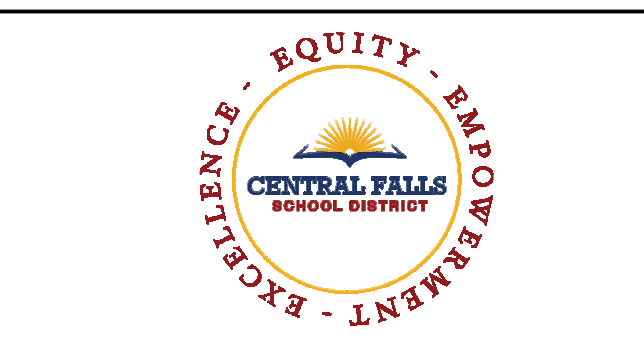
4 EXTERIOR PLAN DETAIL
1/12" = 1'-0"



7 EXTERIOR PLAN DETAIL
1/12" = 1'-0"



10 EXTERIOR PLAN DETAIL
1/12" = 1'-0"



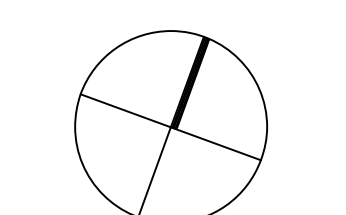
CENTRAL FALLS HIGH SCHOOL
10 HIGGINSON AVE, CENTRAL FALLS, RI

KEYNOTE LEGEND:

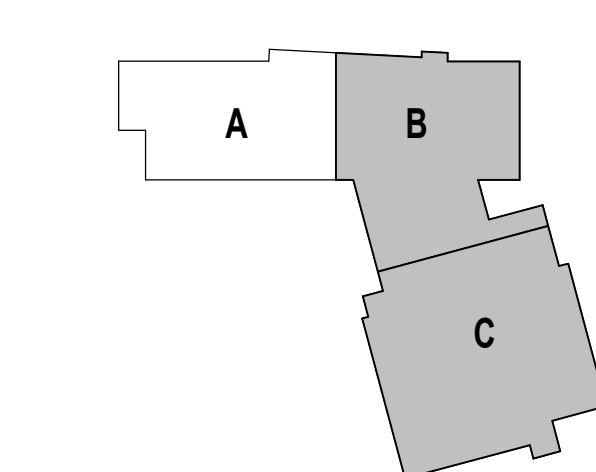
- 04 20 00 10 CMU BASE - GROUND FACE CMU - REFERENCE DETAILS FOR TYPE AND DEPTH
- 04 20 00 50 MASONRY MORTAR
- 04 20 00 61 TYPICAL MASONRY ANCHORTIES - REFERENCE SPECIFICATION FOR SPACING
- 04 20 00 69 AIR SPACE - MAINTAIN CLEAR OF MORTAR
- 05 00 00 02 STEEL COLUMN - SEE STRUCTURAL
- 05 00 00 03 STEEL STUDS - 3.58 INCH - 16 INCHES O.C. MAX
- 05 40 00 06 STEEL STUDS - 6 INCH - 16 INCHES O.C. MAX
- 05 40 00 09 STEEL Z-CLIP - 16 GAGE MIN. - 1 INCH MIN. DEPTH - 16 INCHES O.C. MAX
- 05 16 00 01 GYPSUM EXTERIOR SHEATHING - 5/8 INCH
- 07 16 13 01 POLYMER MODIFIED CEMENT WATERPROOFING MATERIAL
- 07 21 00 20 GLASS FIBER BLANKET INSULATION - MATCH DEPTH OF STUD - UNFACED
- 07 21 00 22 GLASS FIBER ACUSTICAL BLANKET INSULATION - MATCH DEPTH OF STUD - UNFACED
- 07 21 00 50 MINERAL WOOL INSULATION - RIGID - EXTERIOR - 2 INCH
- 07 27 13 01 AIR/VAPOR BARRIER MEMBRANE - SELF-ADHERING MINERAL FIBER CEMENT PANEL - REFERENCE ELEVATIONS FOR COLOR
- 07 48 00 11 HORIZONTAL GIRT - REFER TO SHOP DRAWINGS FOR SIZE
- 07 48 00 12 VERTICAL PANEL RAIL - REFER TO SHOP DRAWINGS FOR SIZE
- 07 48 00 22 STAINLESS STEEL SELF-DRILLING SCREW WITH THERMAL ISOLATION
- 07 81 00 01 CEMENTITIOUS FIREPROOFING
- 08 11 13 01 DOOR AND FRAME - SEE DOOR SCHEDULE
- 08 43 13 01 ALUMINUM STOREFRONT FRAME
- 09 21 16 01 SHAFT ENCLOSURE - 1 HR RATING
- 09 21 16 02 SHAFT ENCLOSURE - 2 HR RATING
- 09 21 16 12 METAL SHAFTWALL J RUNNER
- 09 21 16 32 GYPSUM BOARD - 5/8 INCH TYPE X - 2 LAYERS
- 09 22 16 01 METAL STUD 1-5/8 INCH - 16 INCHES O.C. MAX
- 09 22 16 03 METAL STUD 2-1/2 INCH - 16 INCHES O.C. MAX
- 09 22 16 06 METAL STUD 3-5/8 INCH - 16 INCHES O.C. MAX
- 09 29 00 01 5/8 INCH GYPSUM BOARD - LEVEL 4 FINISH - 1 LAYER
- 09 29 00 02 5/8 INCH GYPSUM BOARD - LEVEL 4 FINISH - 2 LAYERS
- 09 29 00 43 CORNER BEAD
- 09 72 16 01 WIND WALL CLADDING - REFERENCE ELEVATIONS FOR TYPE
- 09 91 00 01 PAINT - SEE SCHEDULE

100% CONSTRUCTION DOCUMENTS

KEY PLAN NORTH ARROW



KEYPLAN



DRAWING NAME:

EXTERIOR PLAN DETAILS

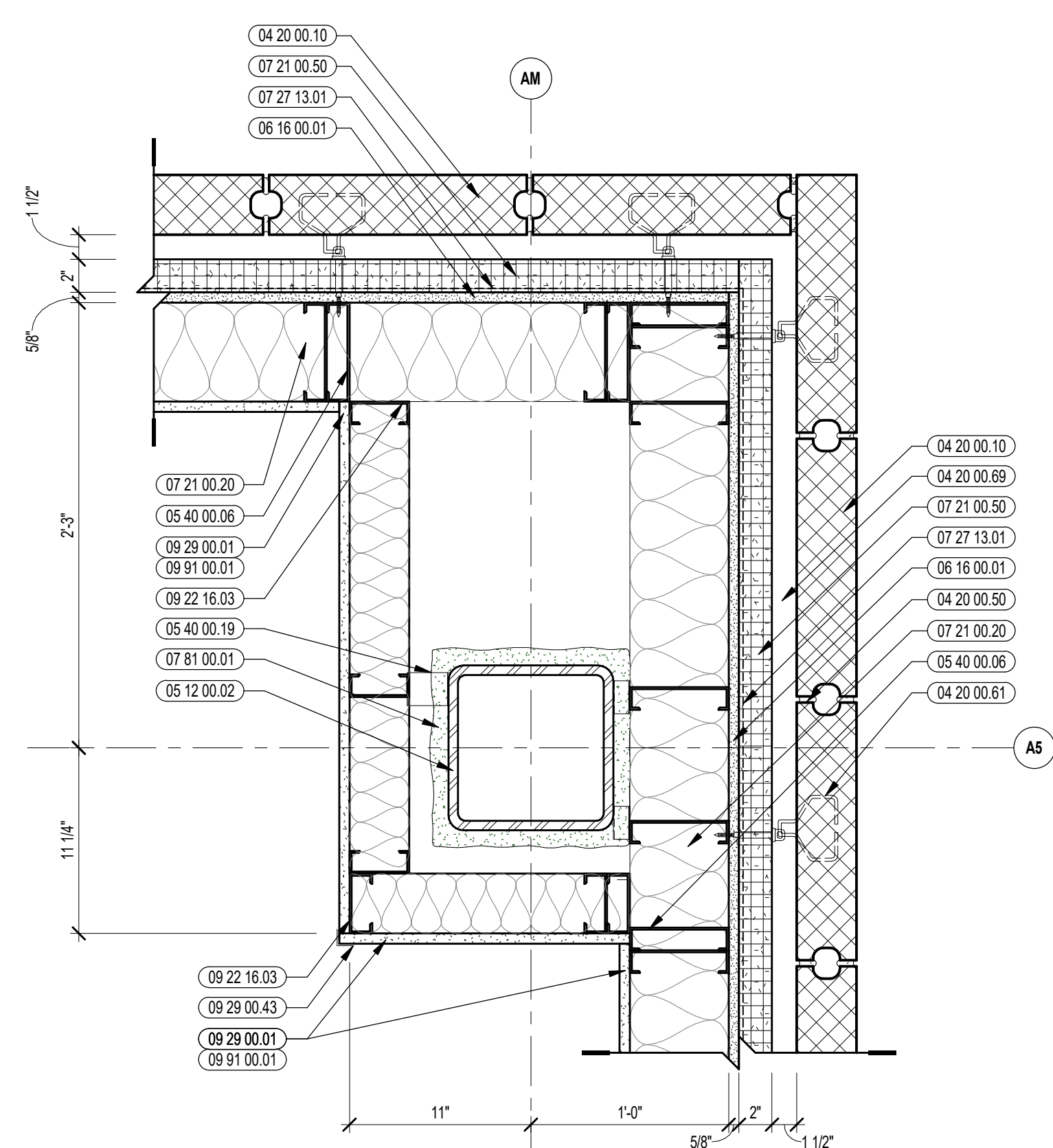
DRAWN BY: MS / BFC

REVIEWED BY: CHR / KK

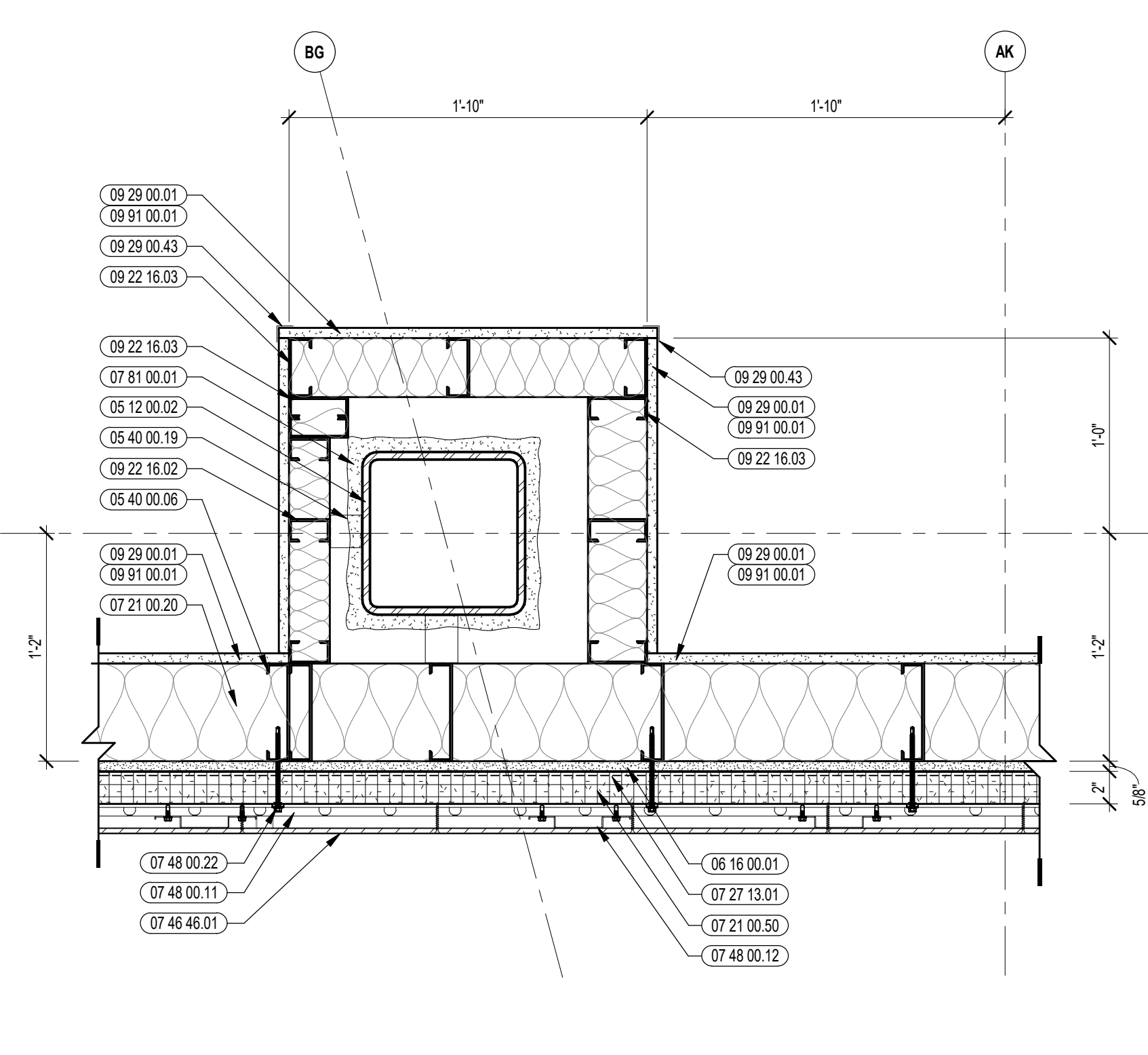
SCALE: AS INDICATED DRAWING NUMBER:

JOB NO.: 2202.02

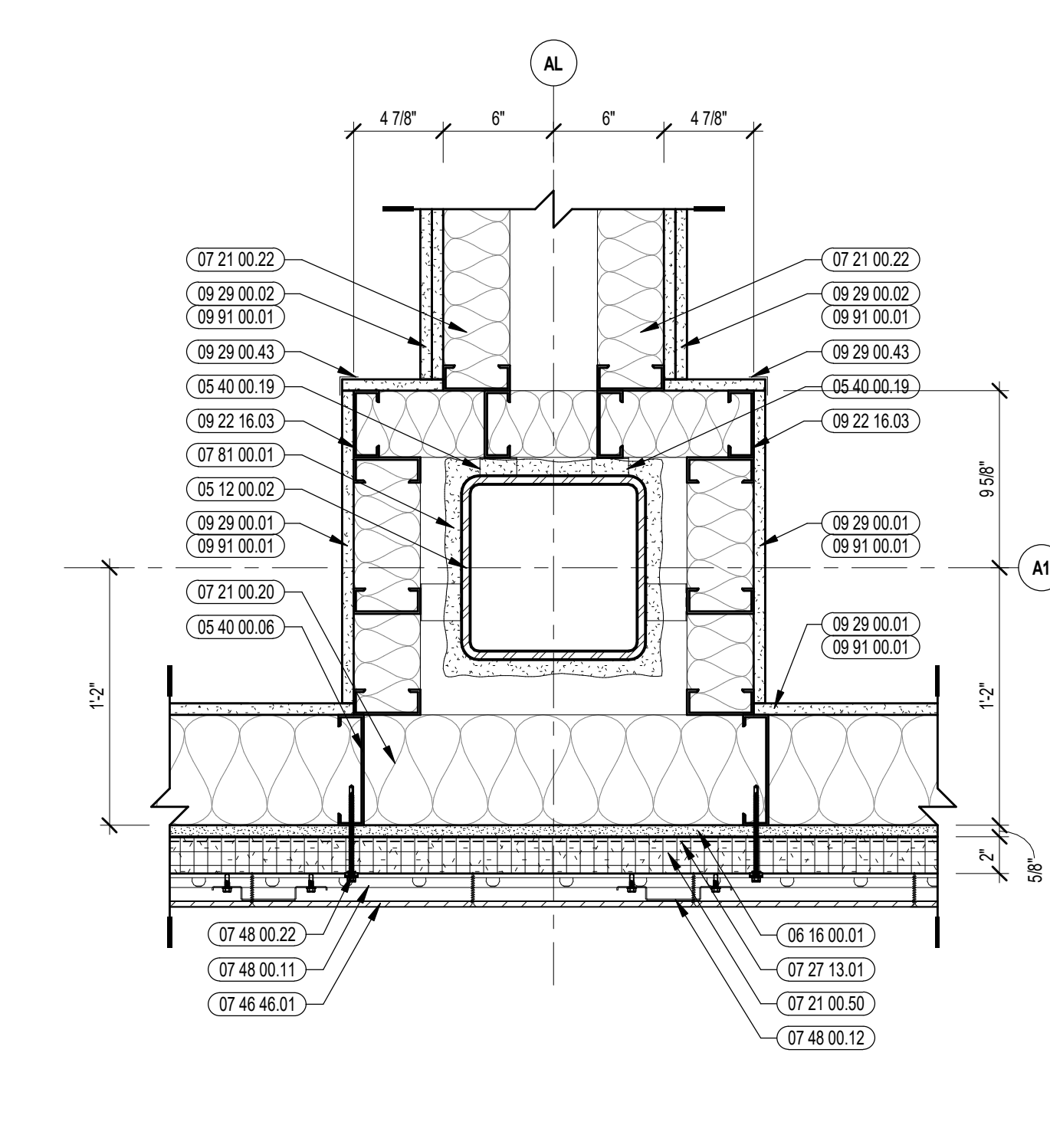
DATE: OCTOBER 13, 2023 **A5.48**



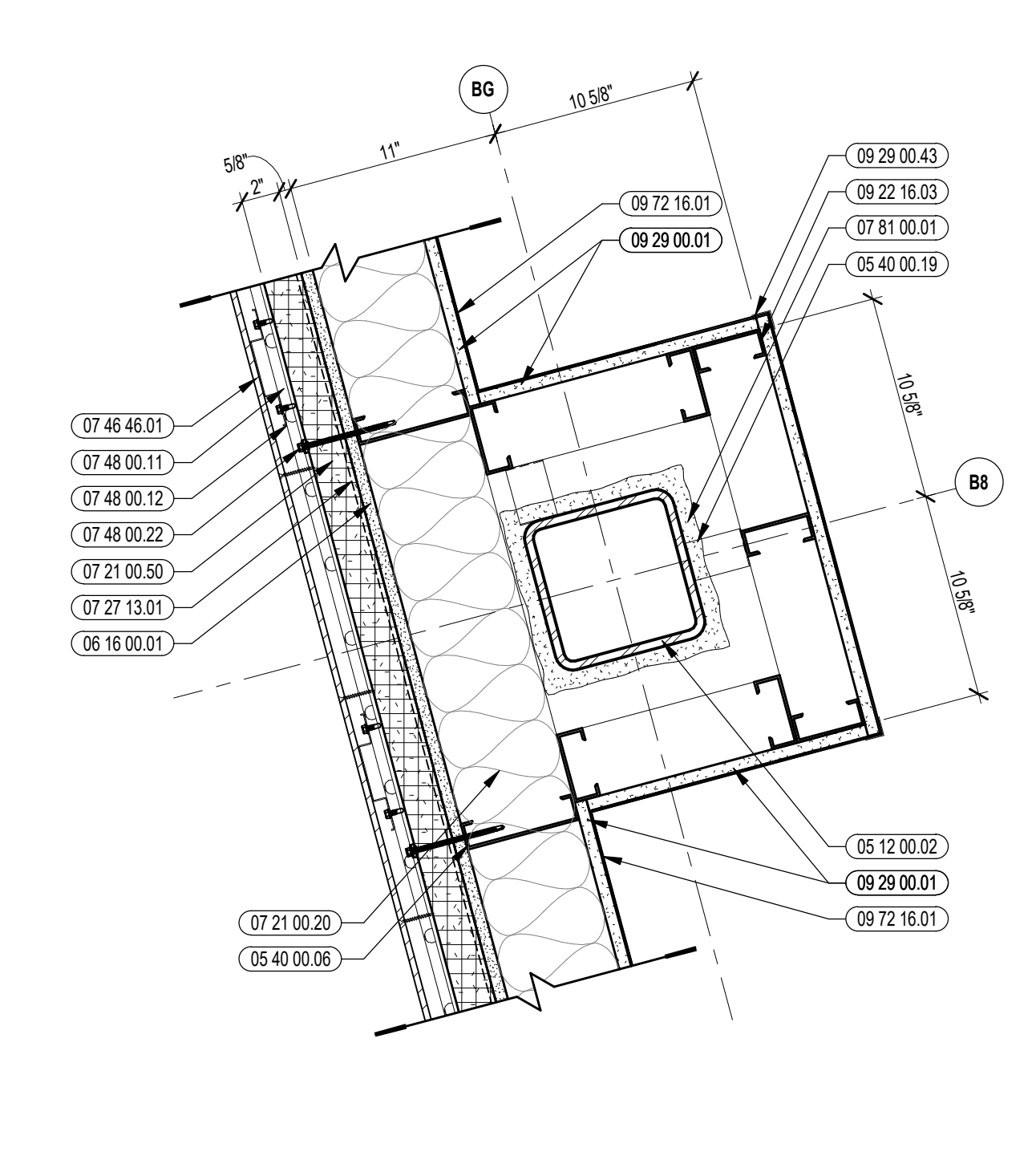
12 EXTERIOR PLAN DETAIL
1/12" = 1'-0"



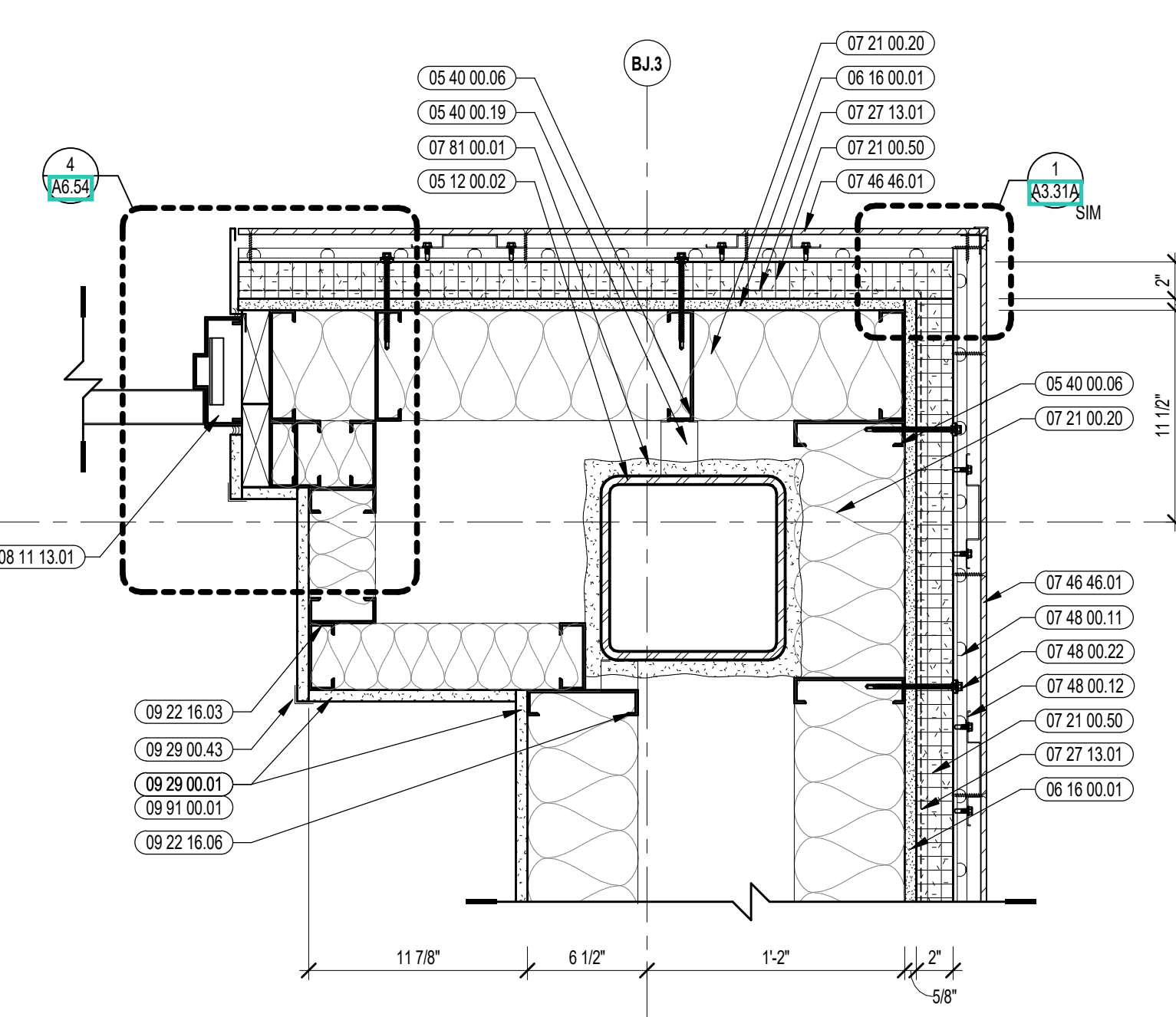
9 EXTERIOR PLAN DETAIL
1/12" = 1'-0"



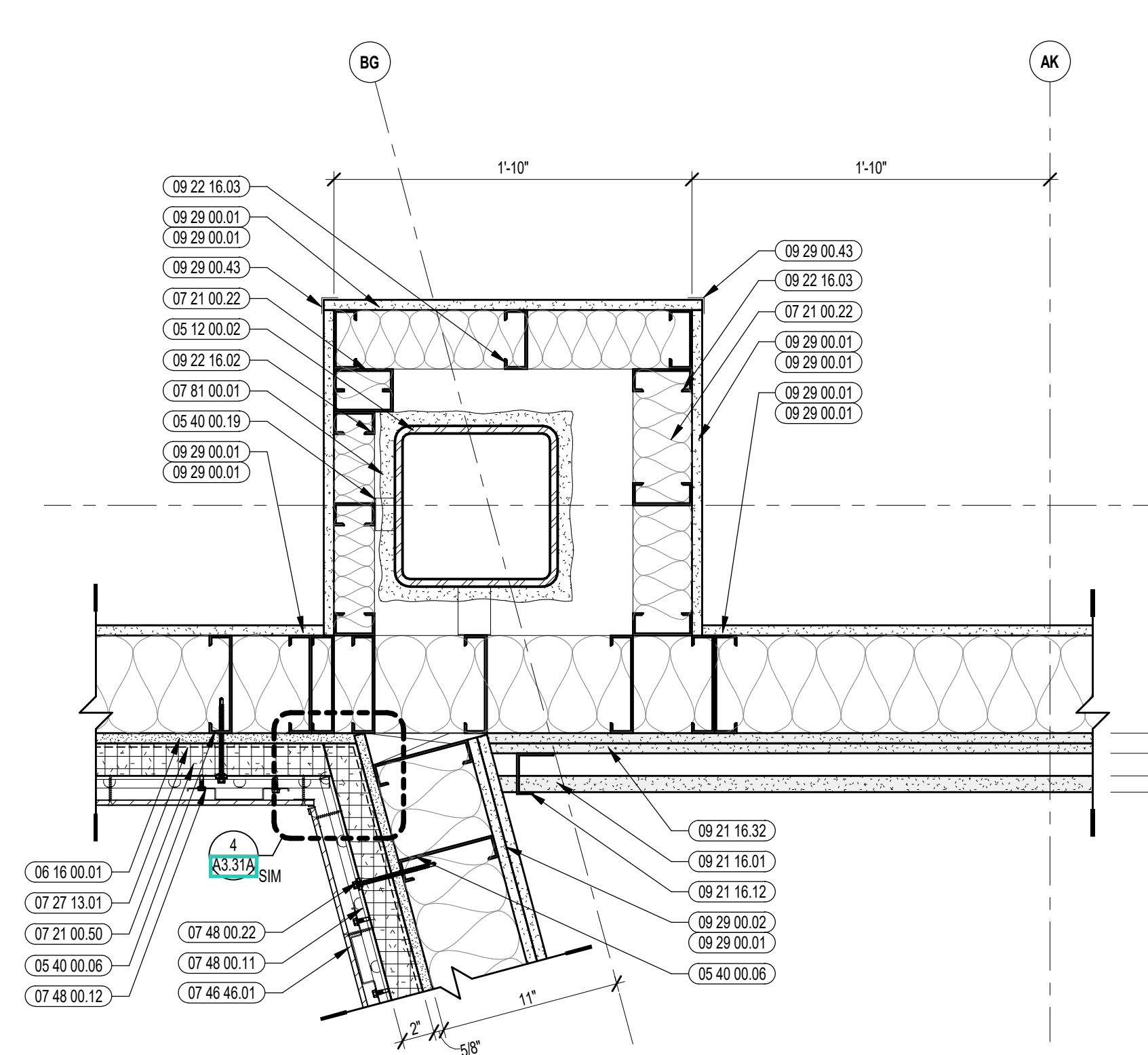
6 EXTERIOR PLAN DETAIL
1/12" = 1'-0"



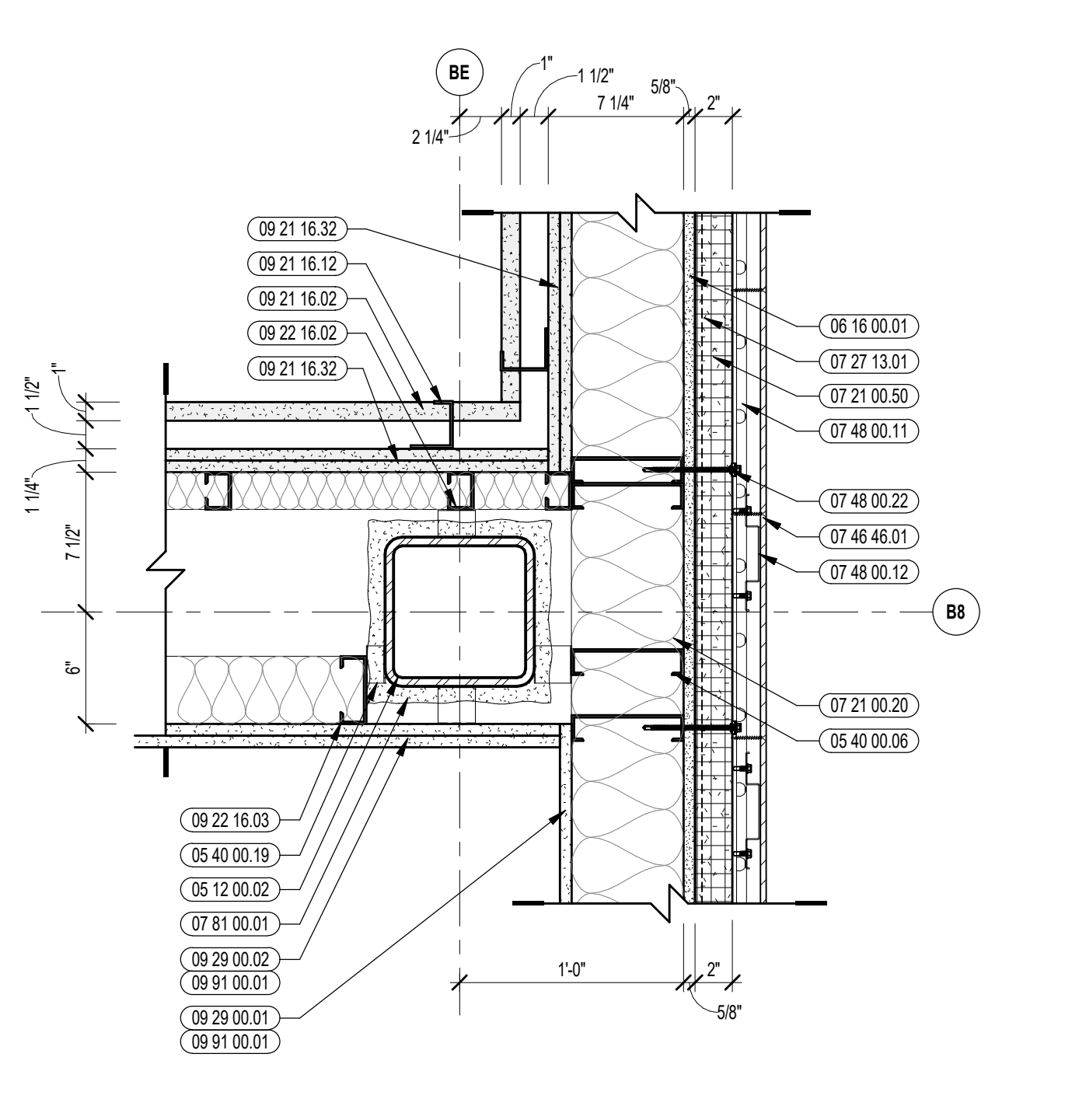
3 EXTERIOR PLAN DETAIL
1/12" = 1'-0"



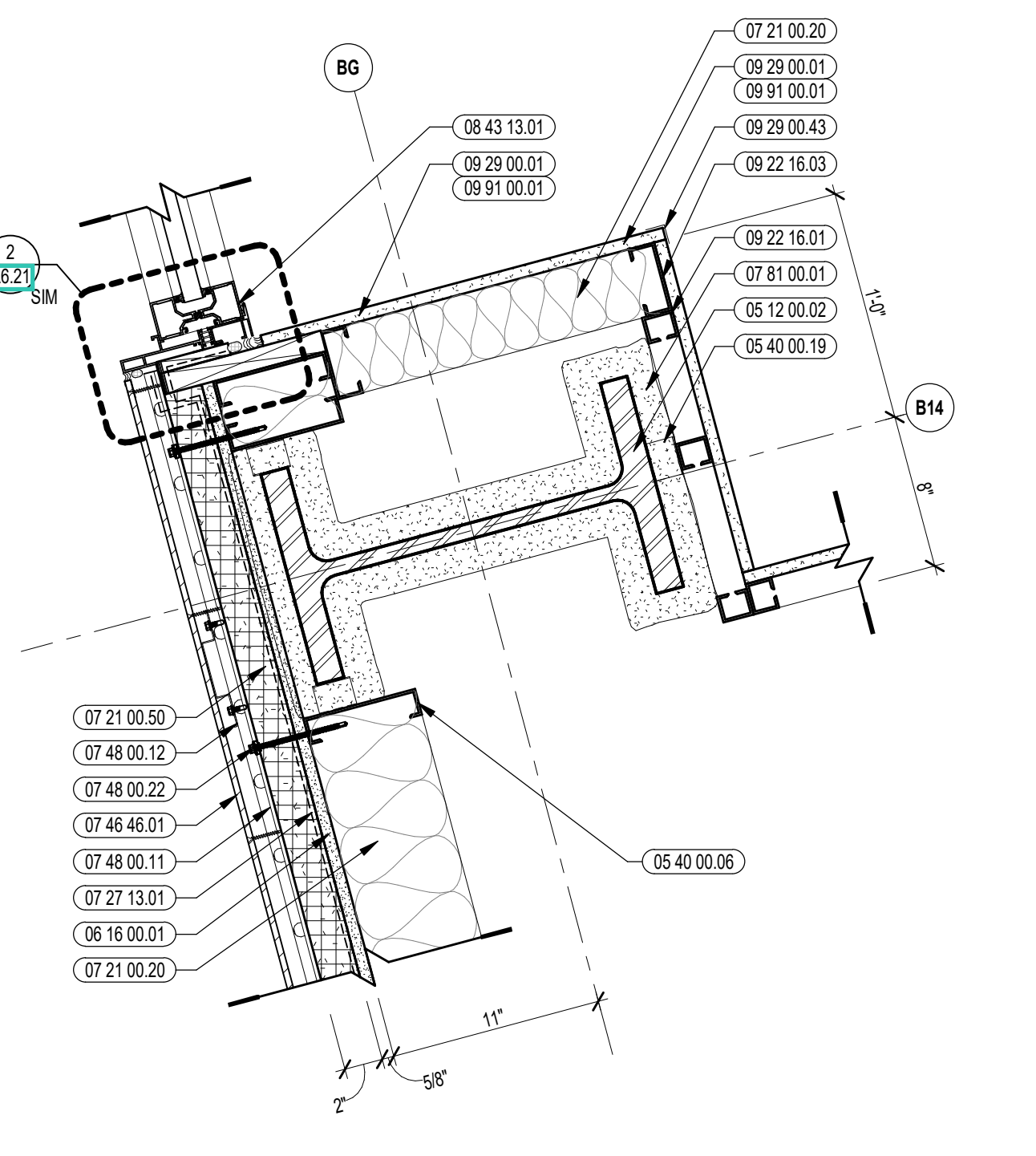
11 EXTERIOR PLAN DETAIL
1/12" = 1'-0"



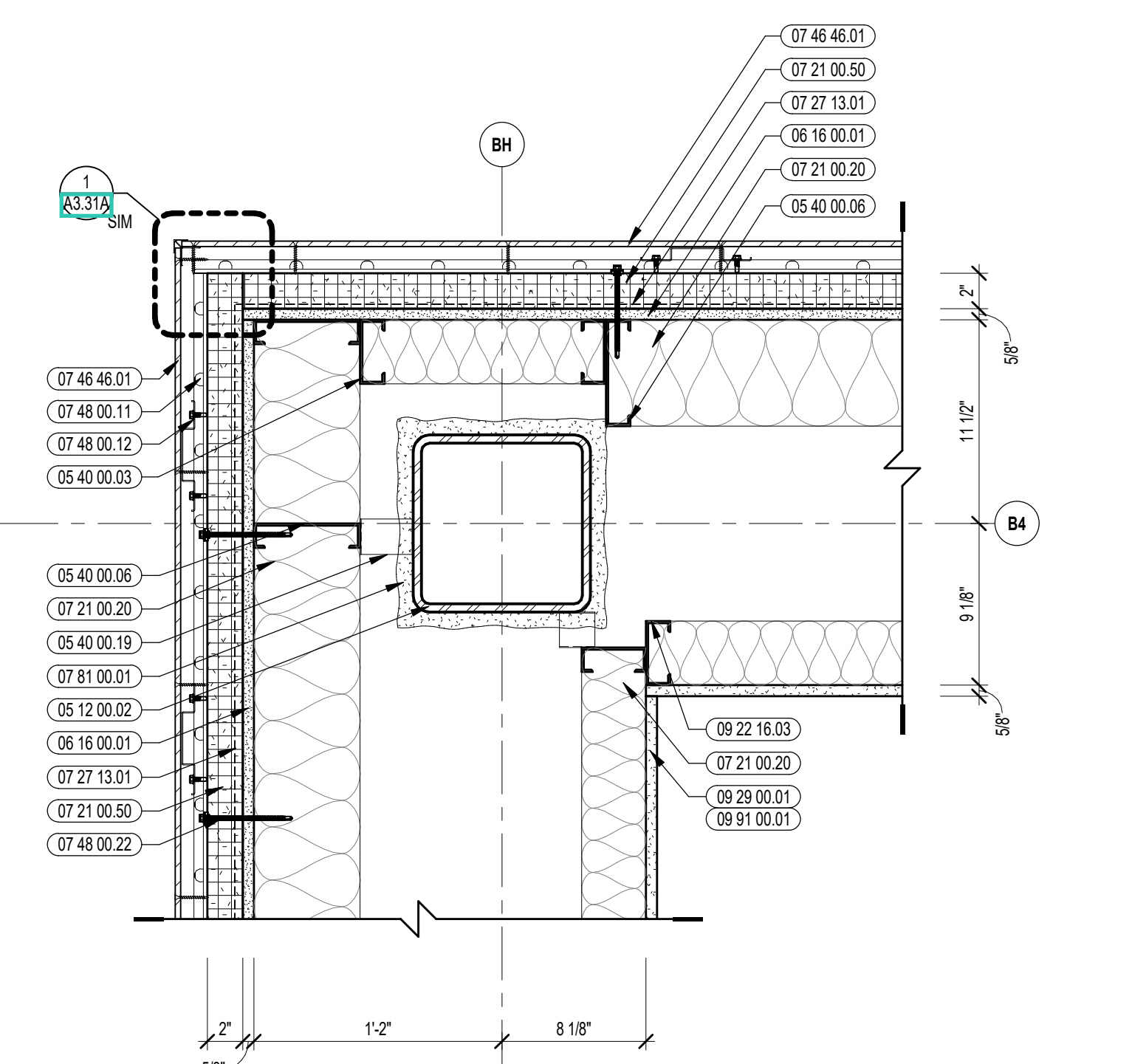
8 EXTERIOR PLAN DETAIL
1/12" = 1'-0"



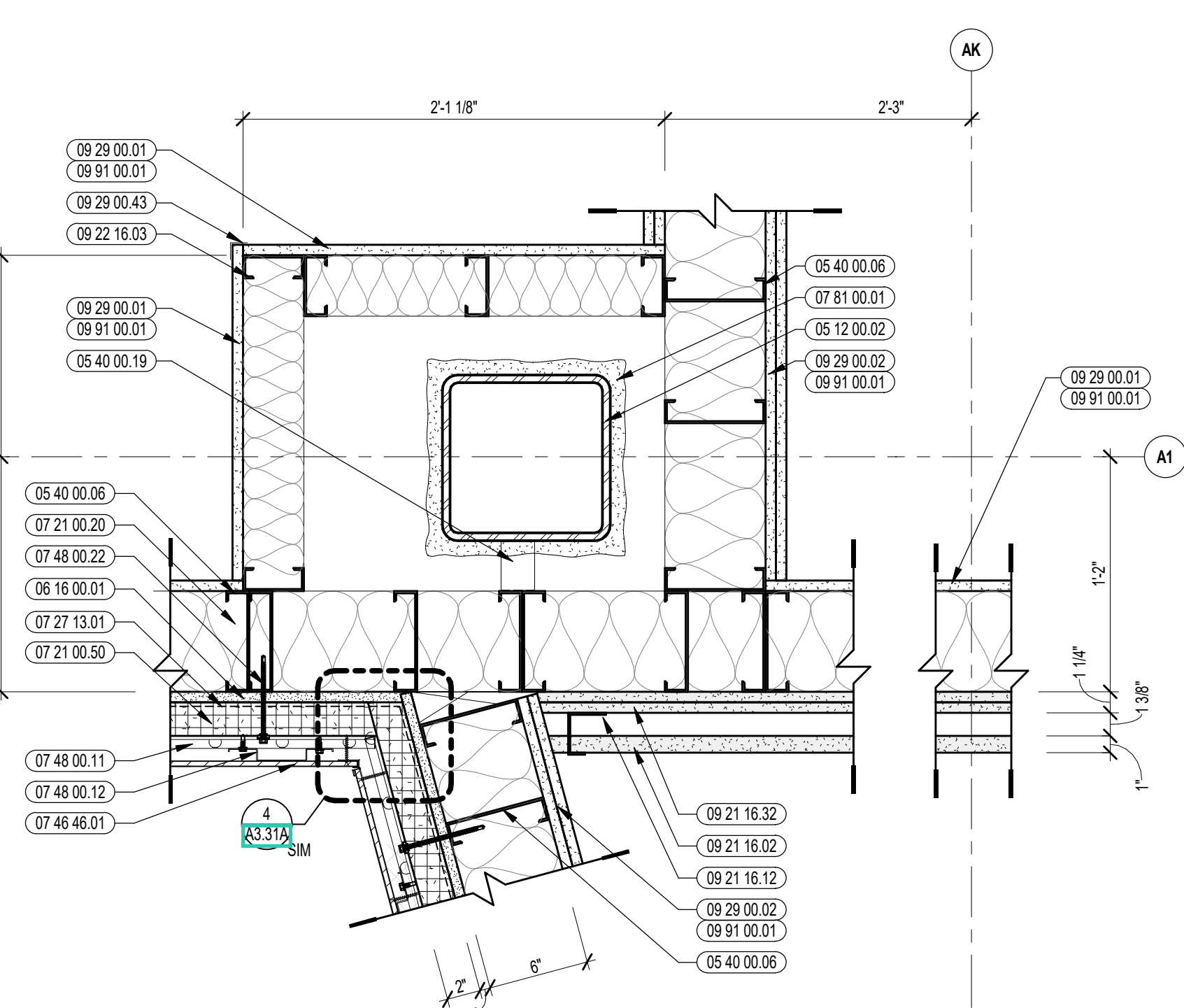
5 EXTERIOR PLAN DETAIL
1/12" = 1'-0"



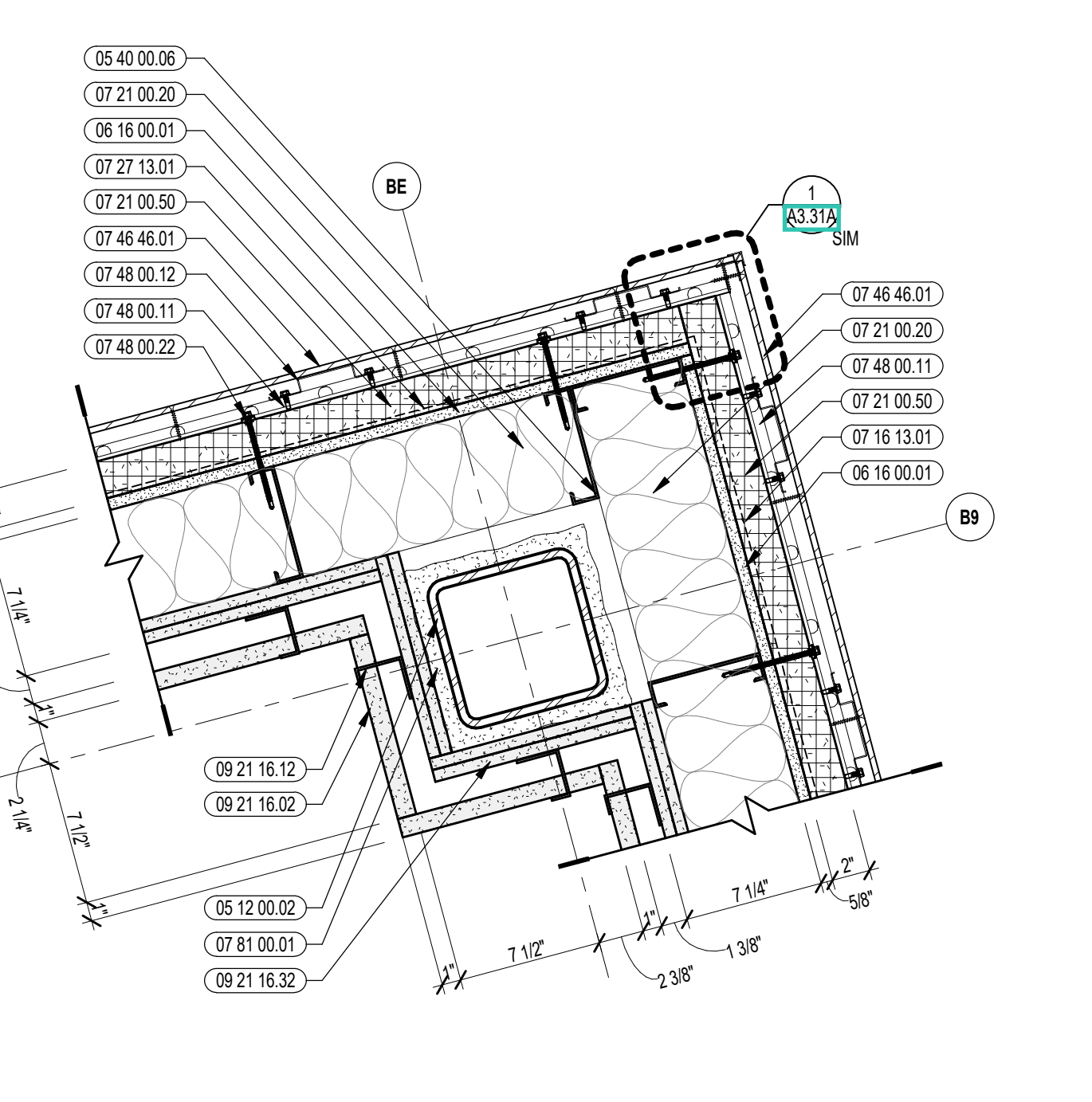
2 EXTERIOR PLAN DETAIL
1/12" = 1'-0"



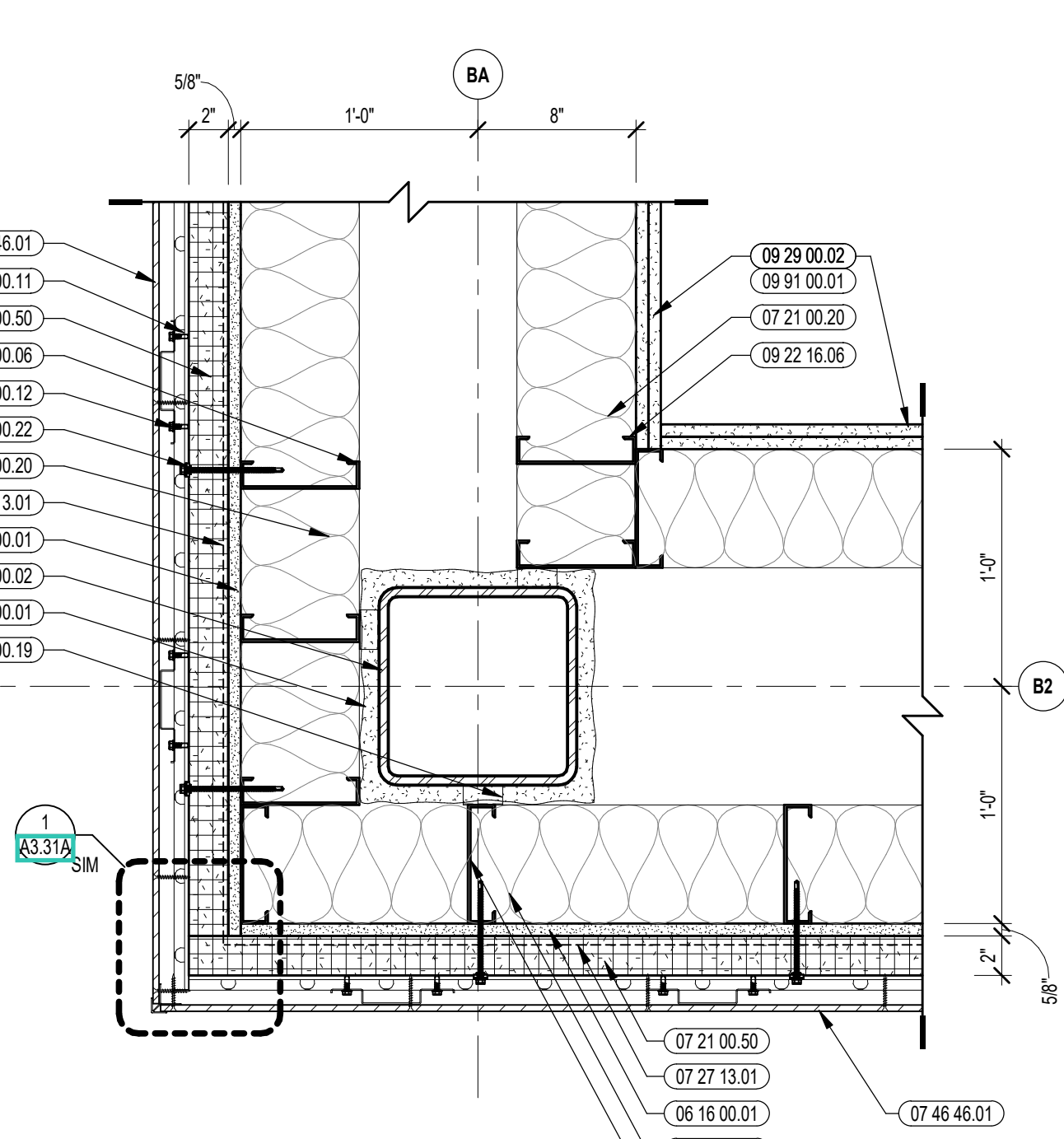
10 EXTERIOR PLAN DETAIL
1/12" = 1'-0"



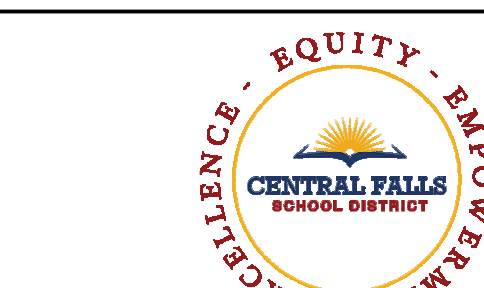
7 EXTERIOR PLAN DETAIL
1/12" = 1'-0"



4 EXTERIOR PLAN DETAIL
1/12" = 1'-0"



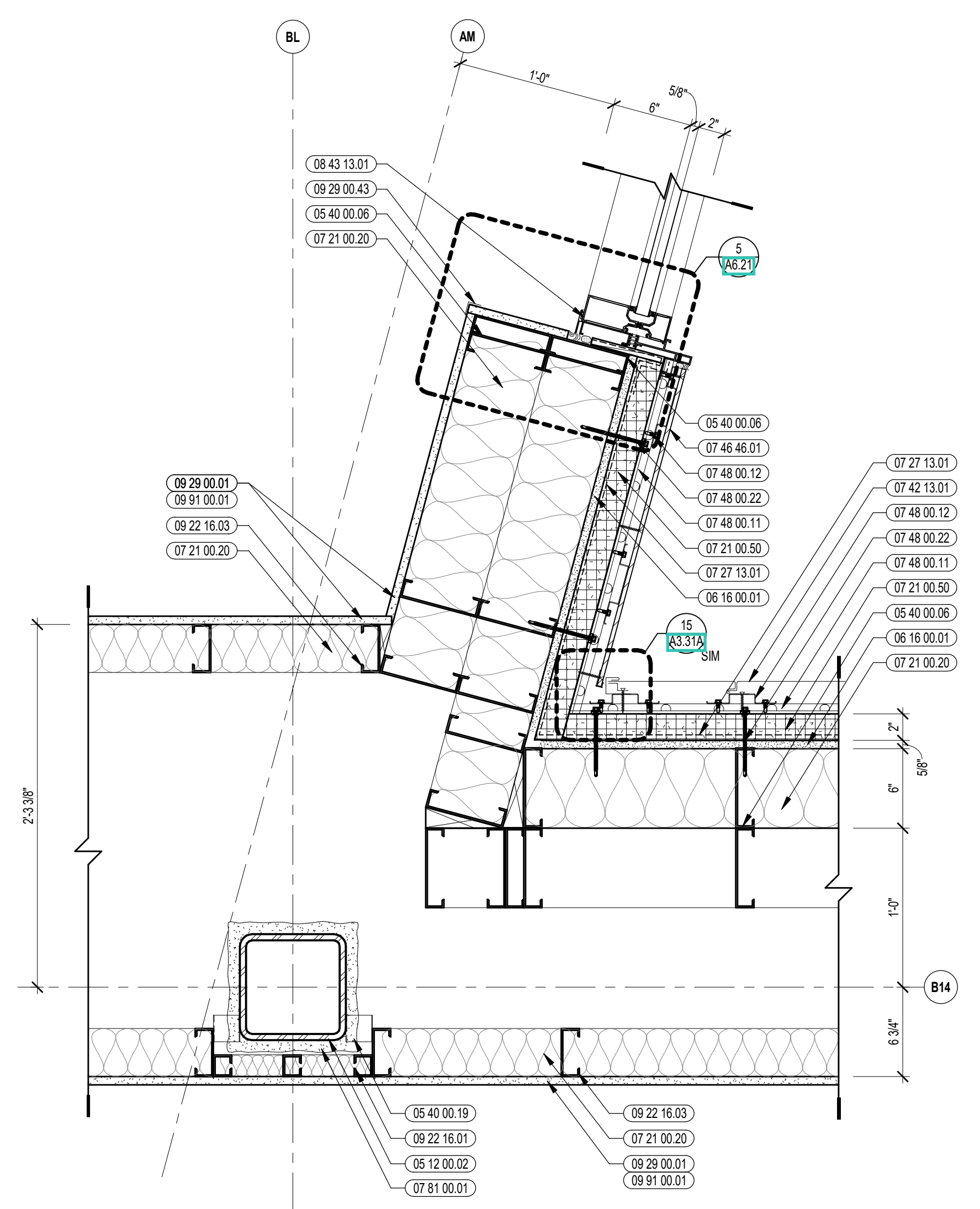
1 EXTERIOR PLAN DETAIL
1/12" = 1'-0"



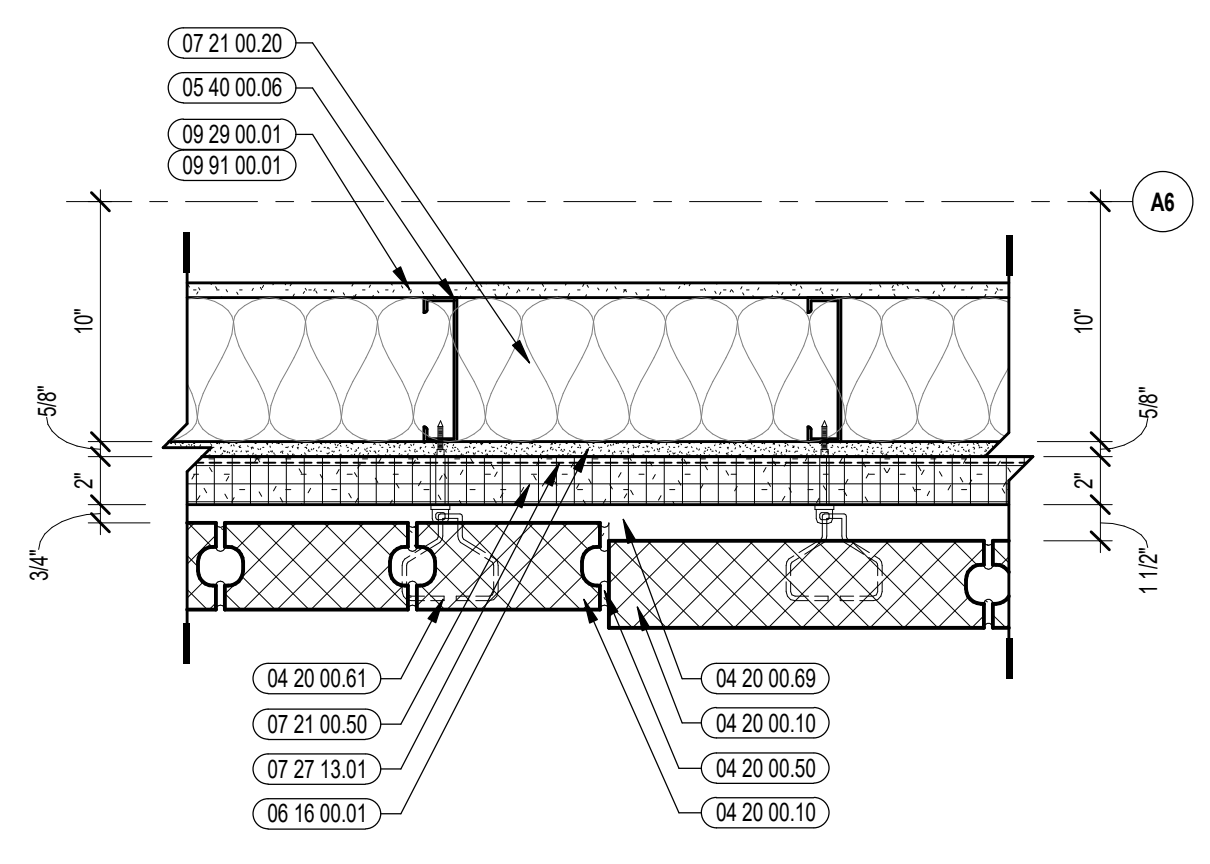
CENTRAL FALLS HIGH SCHOOL
10 HIGGINSON AVE., CENTRAL FALLS, RI

KEYNOTE LEGEND:

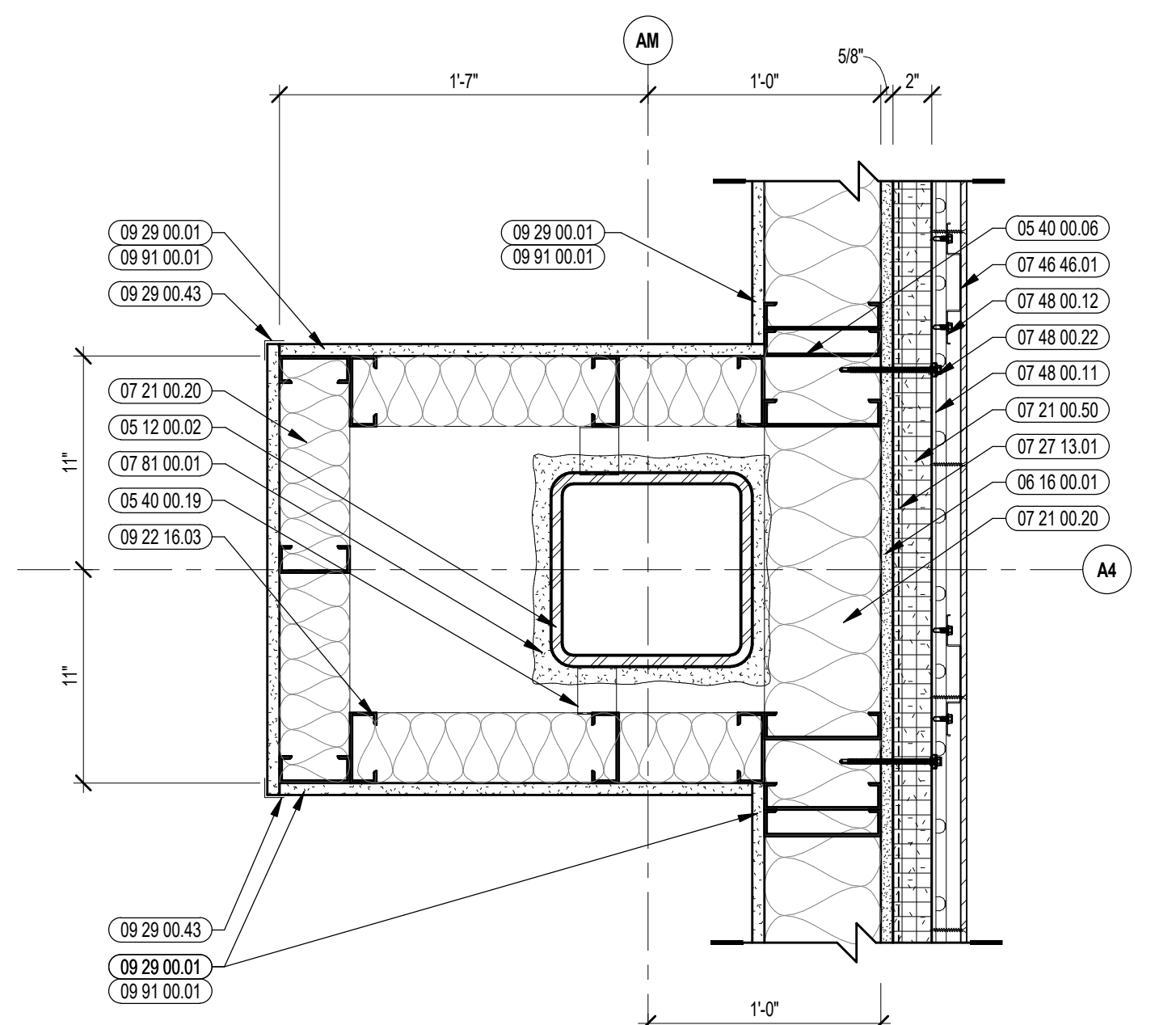
- 04 20 00.10 CMU BASE - GROUND FACE CMU - REFERENCE DETAILS FOR TYPE AND DEPTH
- 04 20 00.50 MASONRY MORTAR
- 04 20 00.61 TYPICAL MASONRY ANCHORTIES - REFERENCE SPECIFICATION FOR SPACING
- 04 20 00.69 AIR SPACE - MAINTAIN CLEAR OF MORTAR
- 04 20 00.70 PREMOLDED CONTROL JOINT
- 05 12 00.02 STEEL COLUMN - SEE STRUCTURAL
- 05 40 00.03 STEEL STUDS - 3/8 INCH - 16 INCHES O.C. MAX
- 05 40 00.06 STEEL STUDS - 8 INCH - 16 INCHES O.C. MAX
- 05 40 00.10 STEEL STUDS - 10 INCH - 16 INCHES O.C. MAX
- 05 40 00.19 STEEL Z-CLIP - 16 GAGE MIN. - 1 INCH MIN. DEPTH - 16 INCHES O.C. MAX
- 06 10 00.21 WOOD BLOCKING - (2X) FIRE RETARDANT TREATED - SIZE AS NOTED OR DRAWN
- 06 16 00.01 GYPSUM EXTERIOR SHEATHING - 5/8 INCH OF STUD - UNFACED
- 07 21 00.21 GLASS FIBER BLANKET INSULATION - MATCH DEPTH OF STUD - FACED
- 07 21 00.50 MINERAL WOOL INSULATION - RIGID - EXTERIOR - 2 INCH
- 07 21 00.51 AIR/VAPOR BARRIER MEMBRANE - SELF-ADHERING
- 07 27 13.01 AIR/VAPOR BARRIER TRANSITION MEMBRANE - SELF-ADHERING
- 07 42 13.01 ALUMINUM PANEL - COLOR 1
- 07 46 46.01 MINERAL FIBER CEMENT PANEL - REFERENCE ELEVATIONS FOR COLOR
- 07 46 46.42 SEALANT - TYPE AS REQUIRED
- 07 48 00.11 HORIZONTAL GRT - REFER TO SHOP DRAWINGS FOR SIZE
- 07 48 00.12 VERTICAL PANEL RAIL - REFER TO SHOP DRAWINGS FOR SIZE
- 07 48 00.22 STAINLESS STEEL SELF-DRILLING SCREW WITH THERMAL ISOLATION
- 07 54 19.01 PVC SINGLE PLY MEMBRANE ROOFING
- 07 54 19.09 SHEET VAPOR RETARDER - TAPE SEAMS
- 07 81 00.01 CEMENTITIOUS FLEEPSHOOFING
- 07 82 00.01 JOINT SEALANT - TYPE AS REQUIRED
- 08 43 13.01 ALUMINUM STOREFRONT FRAME
- 09 22 16.01 METAL STUD 1-5/8 INCH - 16 INCHES O.C. MAX
- 09 22 16.02 METAL STUD 2-1/2 INCH - 16 INCHES O.C. MAX
- 09 22 16.03 METAL STUD 3-5/8 INCH - 16 INCHES O.C. MAX
- 09 29 00.01 5/8 INCH GYPSUM BOARD - LEVEL 4 FINISH - 1 LAYER
- 09 29 00.02 5/8 INCH GYPSUM BOARD - LEVEL 4 FINISH - 2 LAYERS
- 09 29 00.43 CORNER BEAD
- 09 72 16.01 VINYL WALL CLADDING - REFERENCE ELEVATIONS FOR TYPE
- 09 91 00.01 PAINT - SEE SCHEDULE



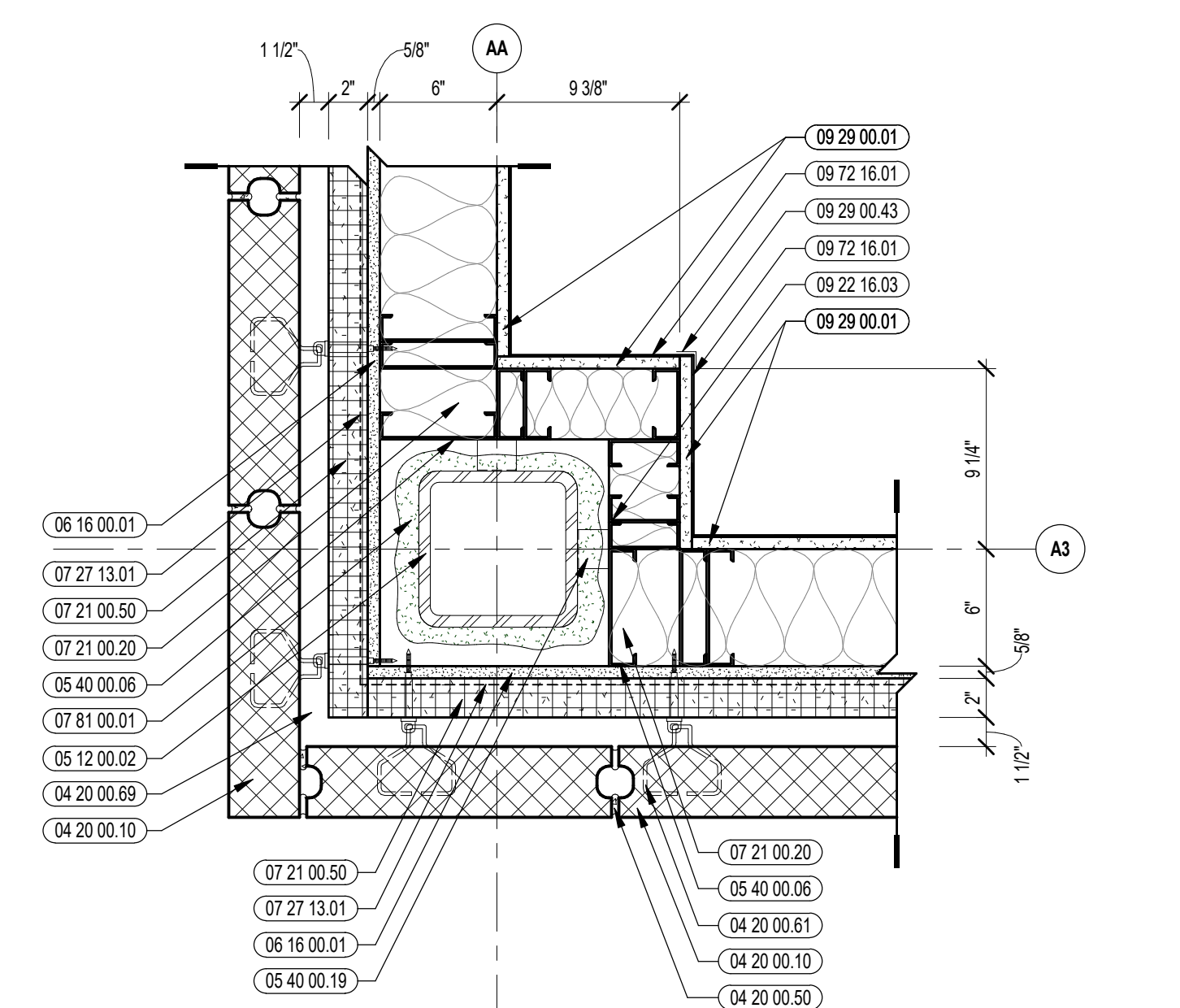
10B EXTERIOR PLAN DETAIL
1/12" = 1'-0"



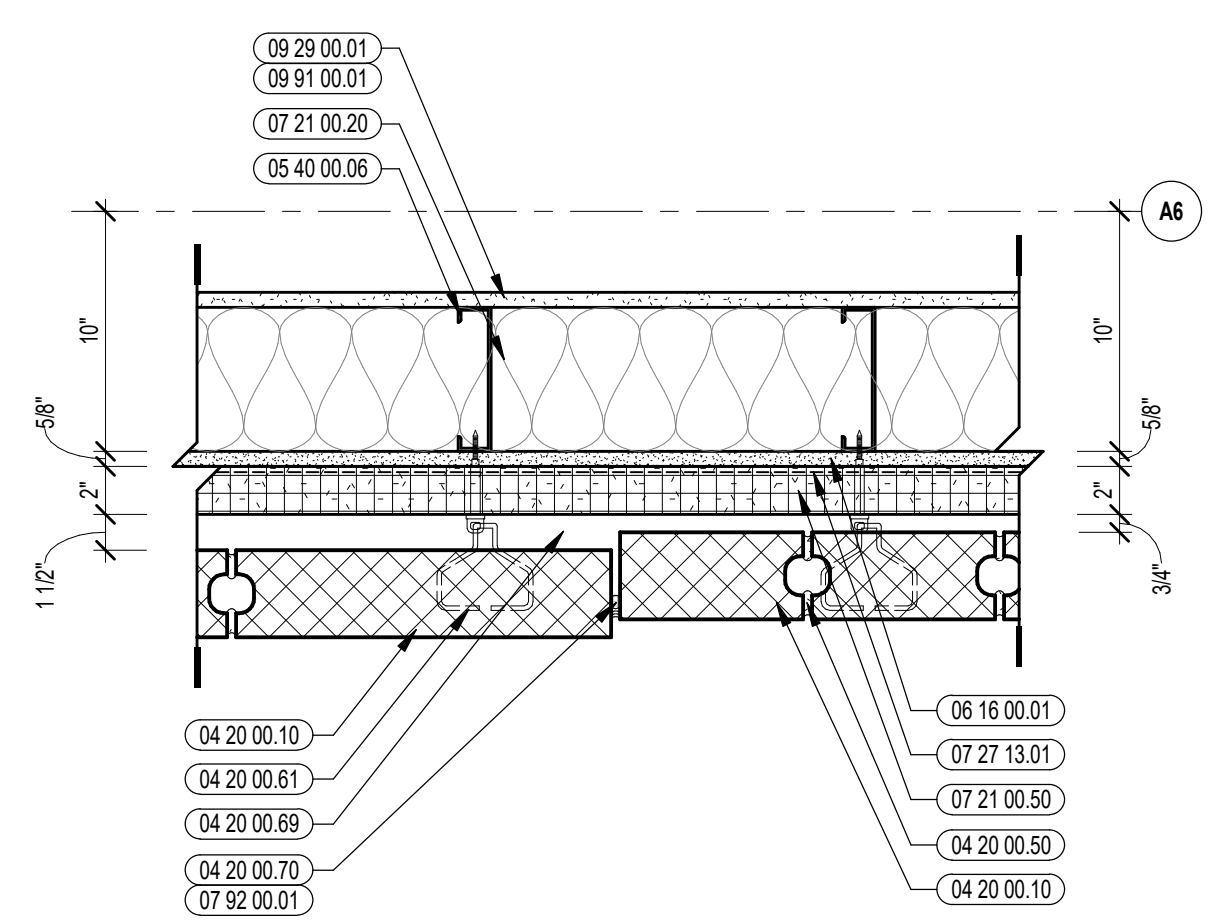
9 EXTERIOR PLAN DETAIL
1/12" = 1'-0"



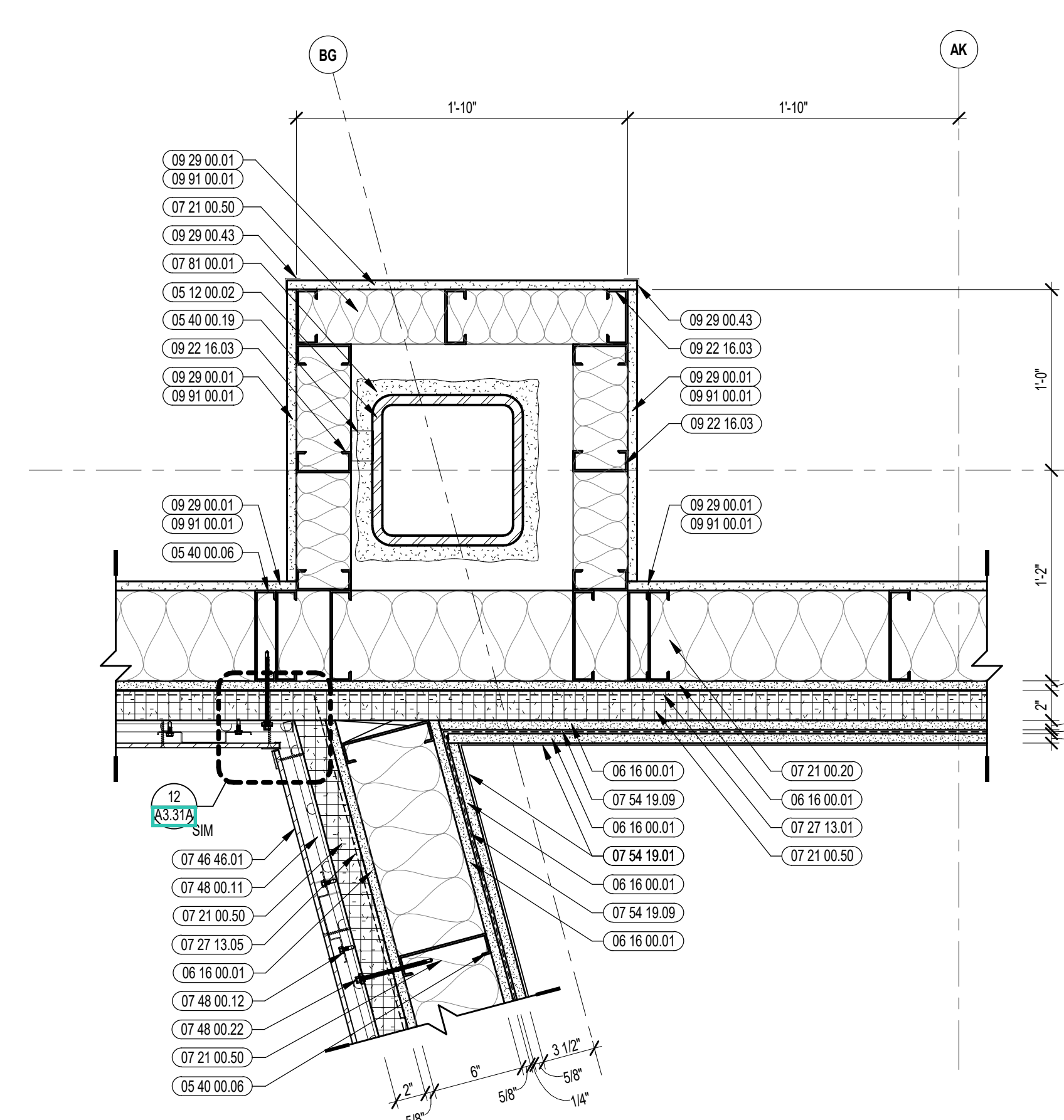
6 EXTERIOR PLAN DETAIL
1/12" = 1'-0"



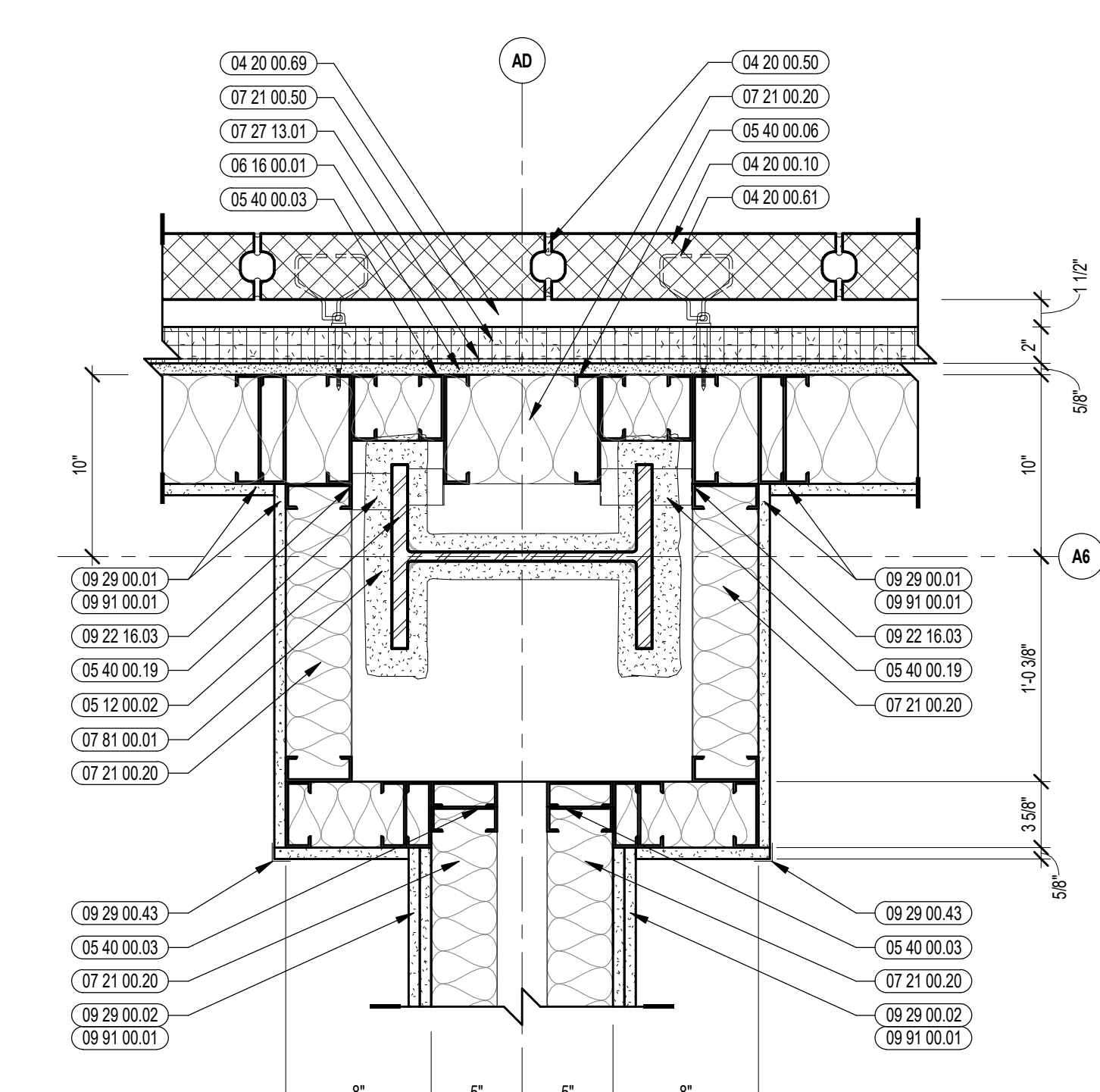
3 EXTERIOR PLAN DETAIL
1/12" = 1'-0"



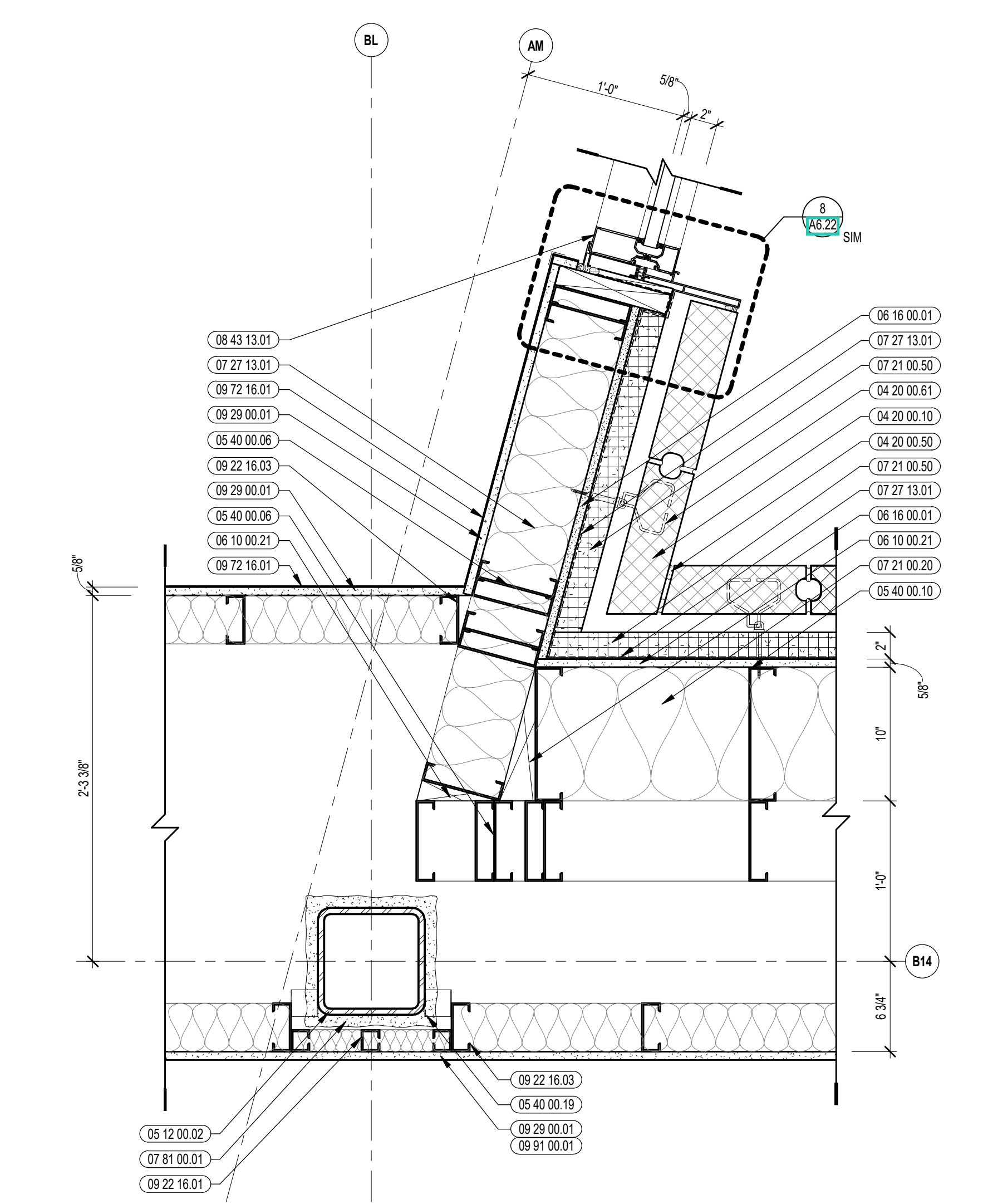
8 EXTERIOR PLAN DETAIL
1/12" = 1'-0"



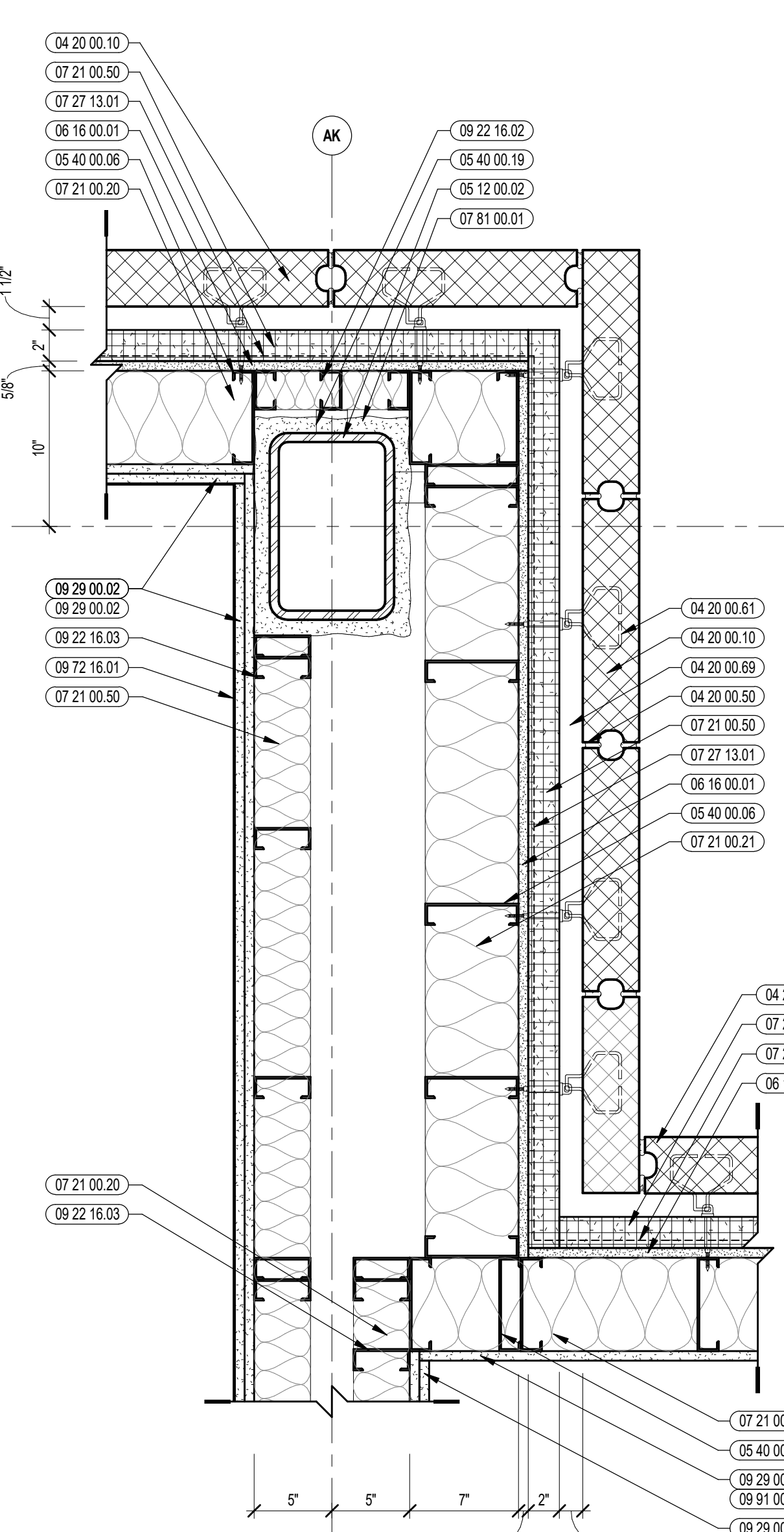
5 EXTERIOR PLAN DETAIL
1/12" = 1'-0"



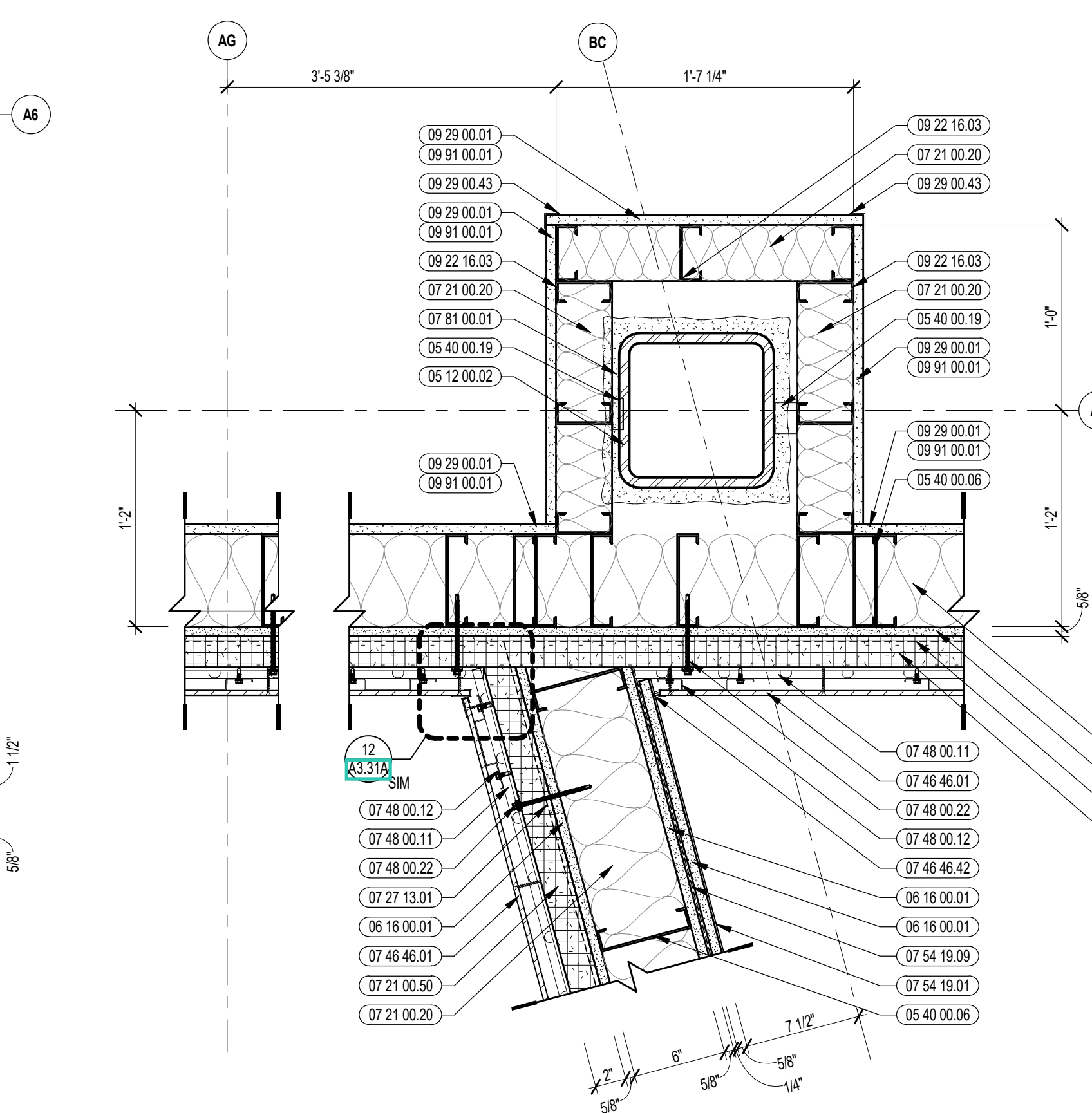
2 EXTERIOR PLAN DETAIL
1/12" = 1'-0"



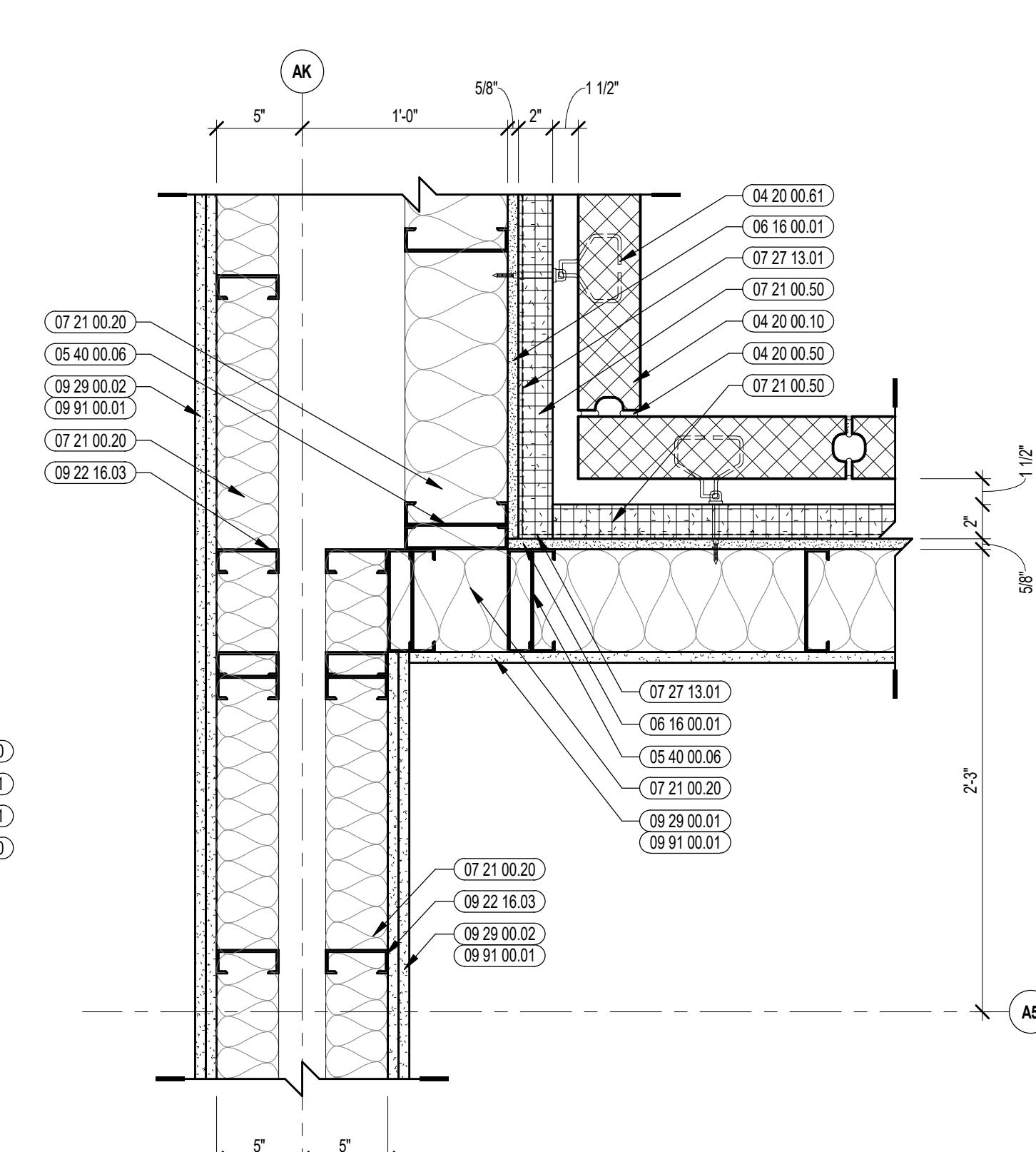
10A EXTERIOR PLAN DETAIL
1/12" = 1'-0"



7 EXTERIOR PLAN DETAIL
1/12" = 1'-0"



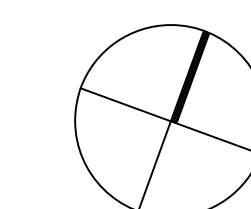
4 EXTERIOR PLAN DETAIL
1/12" = 1'-0"



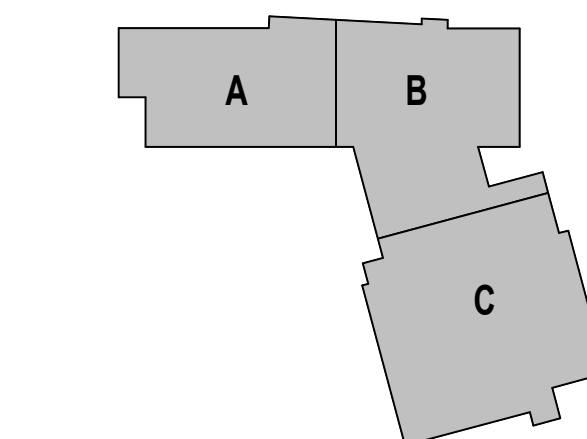
1 EXTERIOR PLAN DETAIL
1/12" = 1'-0"

100% CONSTRUCTION DOCUMENTS

KEY PLAN NORTH ARROW



KEYPLAN



DRAWING NAME:

EXTERIOR PLAN DETAILS

DRAWN BY: MS / BFC

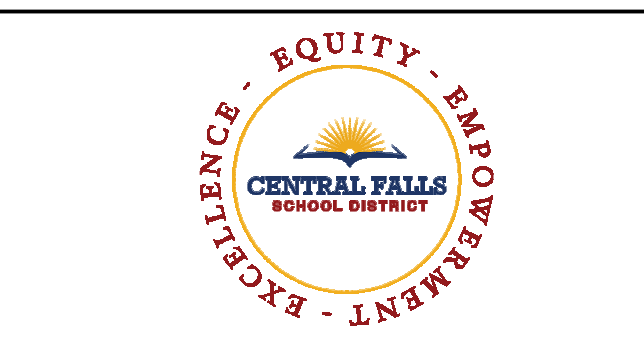
REVIEWED BY: CHR / KK

SCALE: AS INDICATED | DRAWING NUMBER:

JOB NO.: 2202.02

DATE: OCTOBER 13, 2023

A5.49



CENTRAL FALLS HIGH SCHOOL
10 HIGGINSON AVE, CENTRAL FALLS, RI

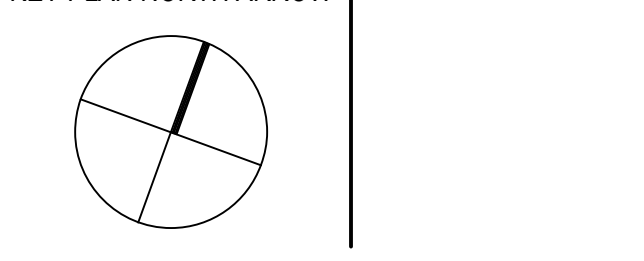
Copyright © 2022, A3 Architects, Inc.

KEYNOTE LEGEND:

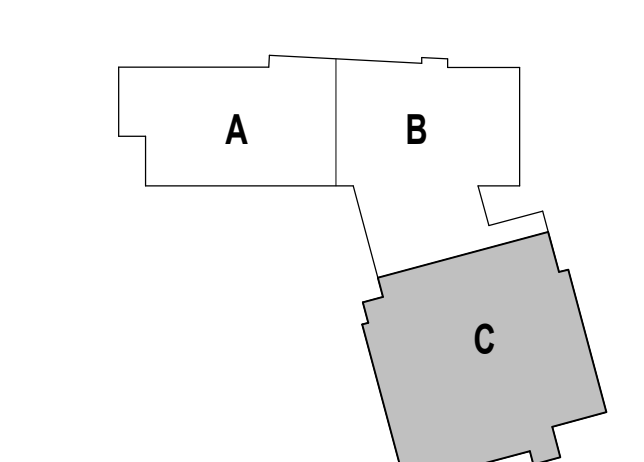
- 03 30.00.03 CONCRETE SLAB ON DECK - SEE STRUCTURAL
- 04 20.00.10 CMU BASE - GROUND FACE CMU - REFERENCE DETAILS FOR TYPE AND DEPTH
- 04 20.00.50 MASONRY MORTAR
- 04 20.00.61 TYPICAL MASONRY ANCHORTIES - REFERENCE SPECIFICATION FOR SPACING
- 05 12.00.01 STEEL BEAM - SEE STRUCTURAL
- 05 12.00.02 STEEL COLUMN - SEE STRUCTURAL
- 05 12.00.06 STEEL TUBE - SEE STRUCTURAL
- 05 12.00.18 STEEL ANGLE CONTINUOUS - SEE STRUCTURAL
- 05 12.00.21 STEEL EDGE ANGLE - SEE STRUCTURAL
- 05 12.00.38 STEEL PLATE BENT - SEE STRUCTURAL
- 05 31.00.11 STEEL Z PLIP - 18 GAGE MIN. - 1 INCH MIN. DEPTH - 16 INCHES O.C. MAX
- 05 40.00.02 STEEL STUDS - 2 1/2 INCH - 16 INCHES O.C. MAX
- 05 40.00.03 STEEL STUDS - 3 5/8 INCH - 16 INCHES O.C. MAX
- 05 40.00.06 STEEL STUDS - 6 INCH - 16 INCHES O.C. MAX
- 05 40.00.19 STEEL Z PLIP - 18 GAGE MIN. - 1 INCH MIN. DEPTH - 16 INCHES O.C. MAX
- 06 10.00.11 WOOD BLOCKING - (2X) FIRE RETARDANT TREATED - SIZE AS NOTED OR DRAWN
- 06 10.00.21 WOOD BLOCKING - (2X) FIRE RETARDANT TREATED - SIZE AS NOTED OR DRAWN
- 06 10.00.43 PLYWOOD PRESSURE TREATED - 5/8 INCH
- 06 16.00.01 GYPSUM EXTERIOR SHEATHING - 5/8 INCH
- 07 21.00.20 GLASS FIBER BLANKET INSULATION - MATCH DEPTH OF STUD - UNFACED
- 07 21.00.22 GLASS FIBER ADJUSTABLE BLANKET INSULATION - MATCH DEPTH OF STUD - UNFACED
- 07 21.00.32 MINERAL WOOL INSULATION
- 07 21.00.33 MINERAL WOOL ACoustical INSULATION - 3 1/2 INCH
- 07 21.00.50 MINERAL WOOL INSULATION - RIGID - EXTERIOR - 2 INCH
- 07 27.13.01 AIRVAPOR BARRIER MEMBRANE - SELF-ADHERING
- 07 27.13.05 AIRVAPOR BARRIER TRANSITION MEMBRANE - SELF-ADHERING
- 07 27.13.20 FLASHING - STAINLESS STEEL
- 07 27.13.01 MINERAL FIBER CEMENT PANEL - REFERENCE ELEVATIONS FOR COLOR
- 07 46.46.57 1/2" X 1/2" TRIM
- 07 46.46.01 DOUBLE HORIZONTAL TRIM
- 07 48.00.11 HORIZONTAL GRT - REFER TO SHOP DRAWINGS FOR SIZE
- 07 48.00.12 VERTICAL PANEL RAIL - REFER TO SHOP DRAWINGS FOR SIZE
- 07 48.00.22 STAINLESS STEEL SELF-DRILLING SCREW WITH THERMAL ISOLATION
- 07 54.19.01 PVC SINGLE PLY MEMBRANE ROOFING
- 07 54.19.02 HIGH-DENSITY POLYISO RECOVERY BOARD
- 07 54.19.03 POLYISO RIGID INSULATION
- 07 54.19.04 POLYISO TAPERED INSULATION
- 07 54.19.05 FLASHING MEMBRANE
- 07 54.19.09 SHEET VAPOR RETARDER - TAPE SEAMS
- 07 54.19.12 BLIND NALER
- 07 54.19.20 PVC EXPANSION JOINT
- 07 54.19.80 WALKWAY PADS
- 07 54.19.92 HOT-AR WELD
- 07 72.00.81 ROOF PAVEN - CONCRETE
- 07 72.00.82 ROOF PAVEN - ADJUSTABLE PEDESTAL
- 07 81.00.01 CEMENTITIOUS FIREPROOFING
- 07 92.00.01 JOINT SEALANT - TYPE AS REQUIRED
- 07 92.00.02 BACKER ROD AND SEALANT - TYPE AS REQUIRED
- 07 92.00.11 EXTERIOR EXPANSION JOINT - 5 INCH
- 07 92.00.12 EXTERIOR EXPANSION JOINT - 3 INCH
- 08 11.13.01 DOOR AND FRAME - SEE DOOR SCHEDULE

100% CONSTRUCTION DOCUMENTS

KEY PLAN NORTH ARROW



KEYPLAN



DRAWING NAME:

EXPANSION JOINT DETAILS

DRAWN BY: BFC

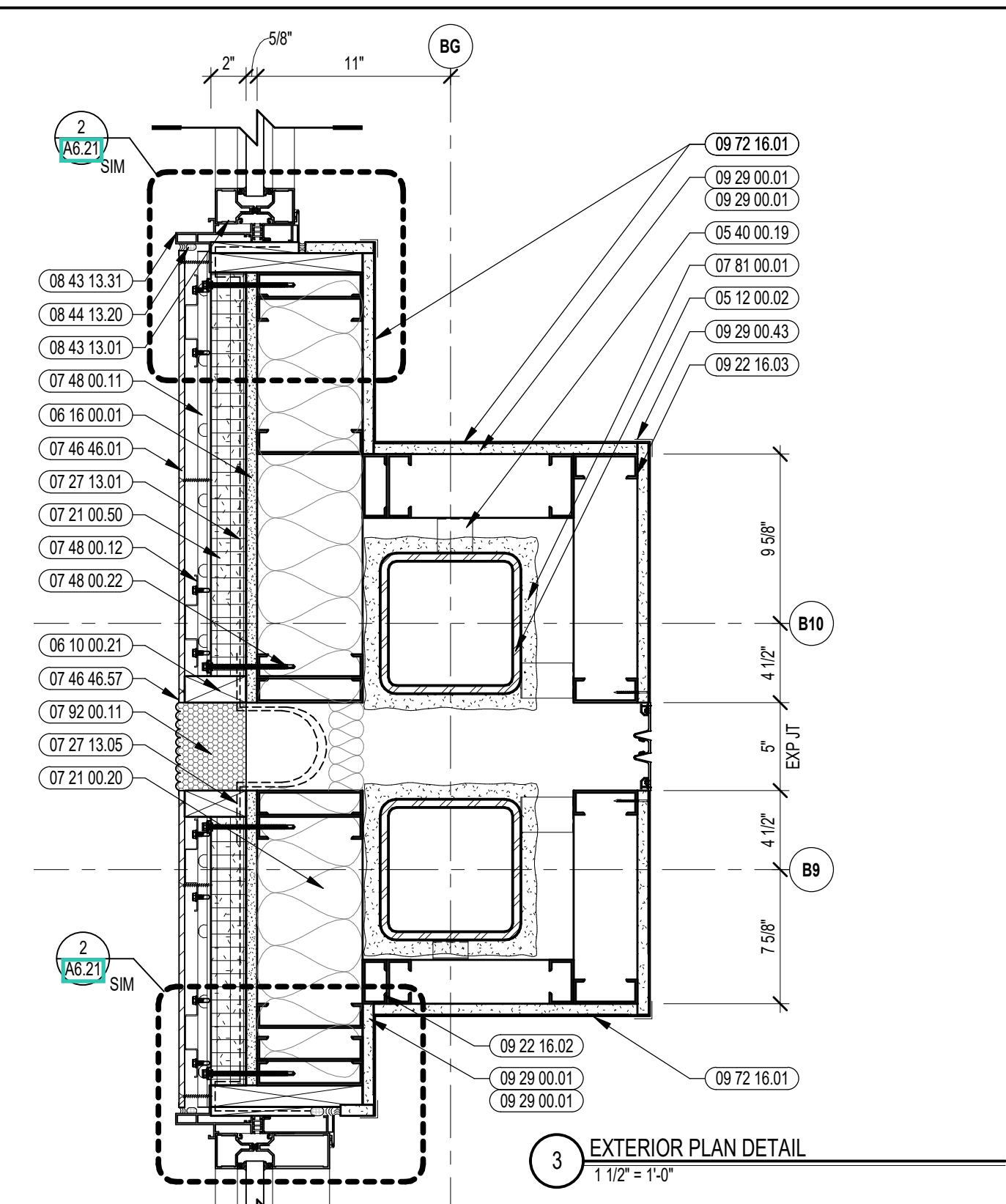
REVIEWED BY: CHR/KK

SCALE: AS INDICATED | DRAWING NUMBER:

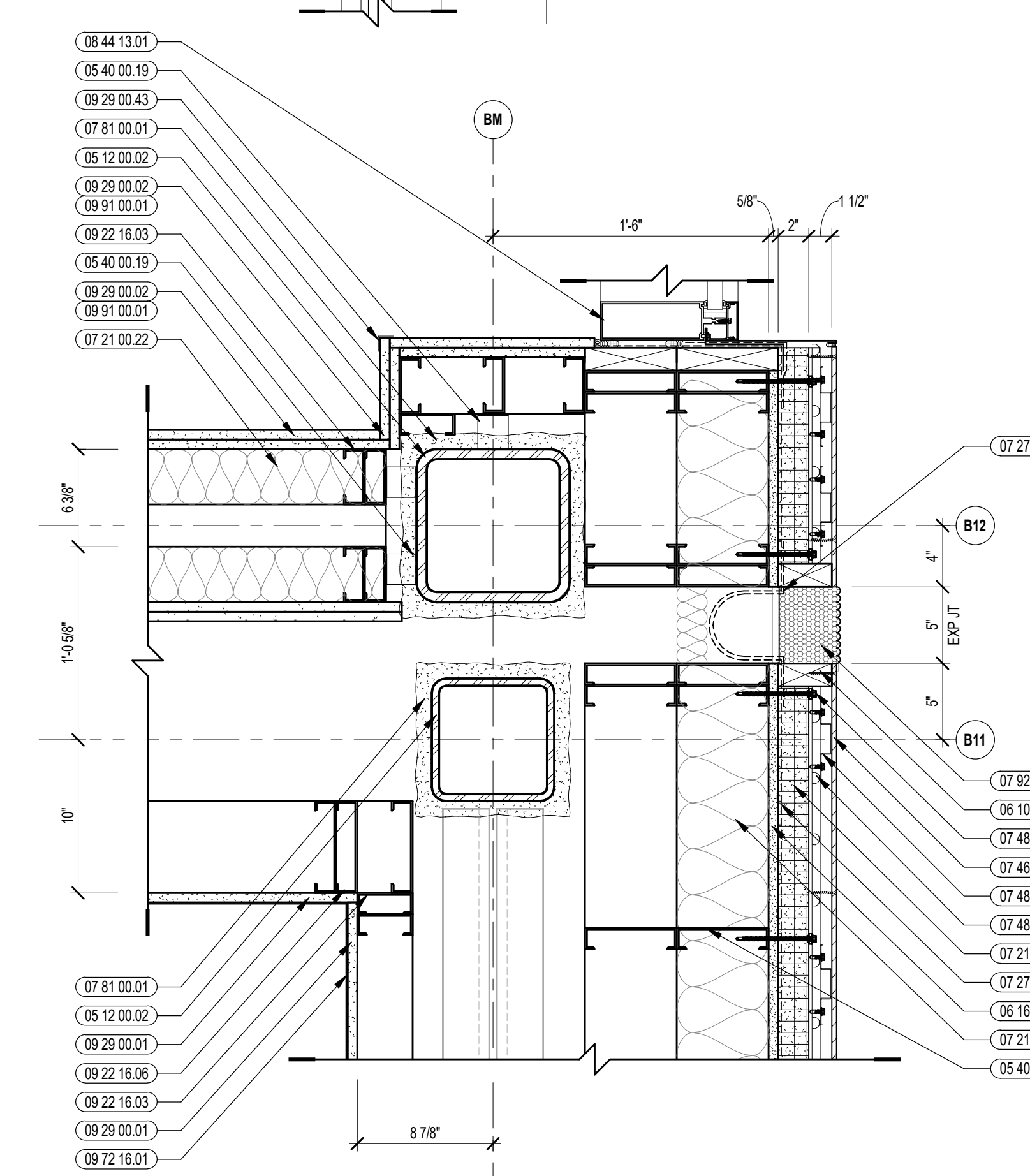
JOB NO.: 2202.02

DATE: OCTOBER 13, 2023

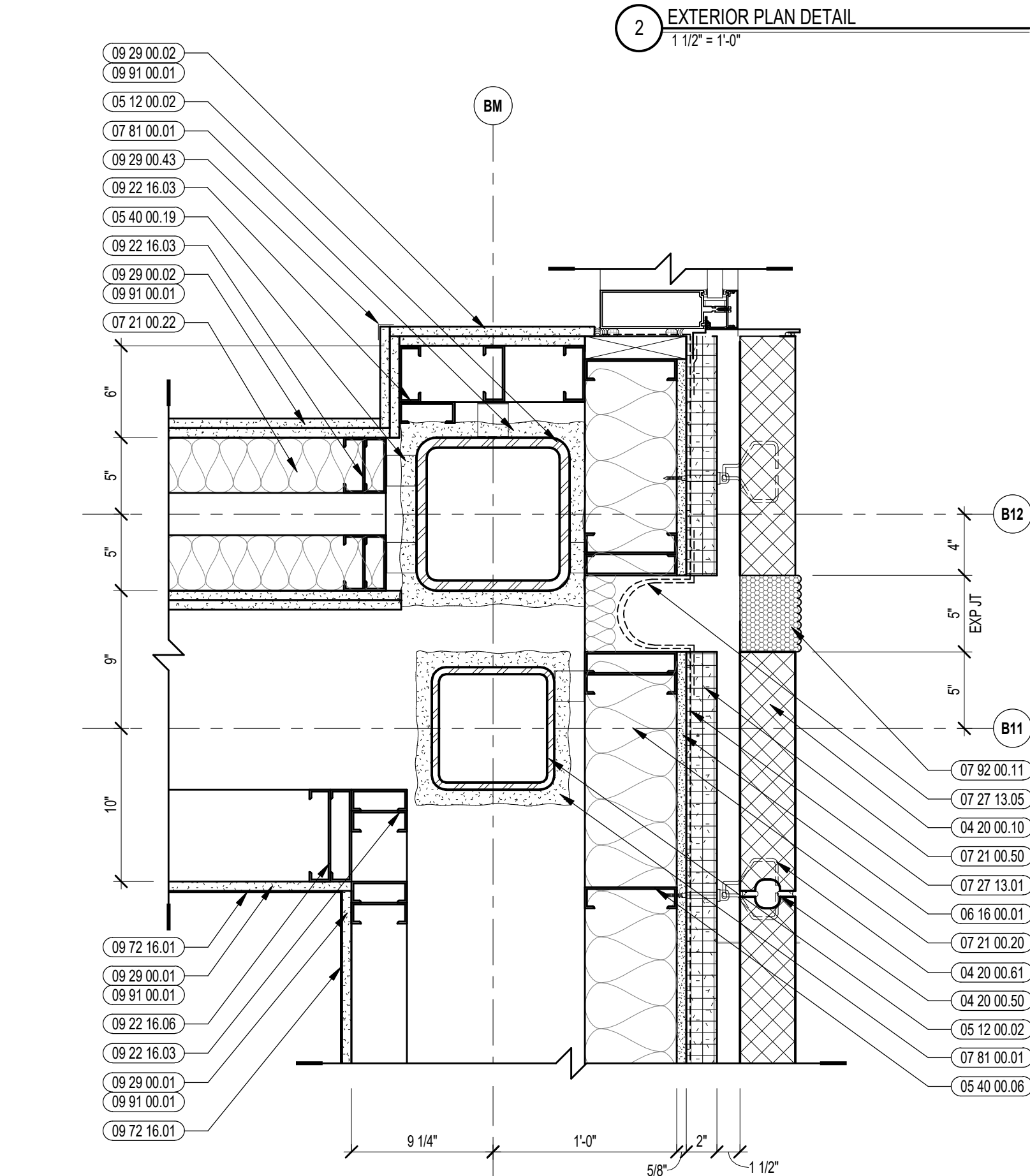
A5.51



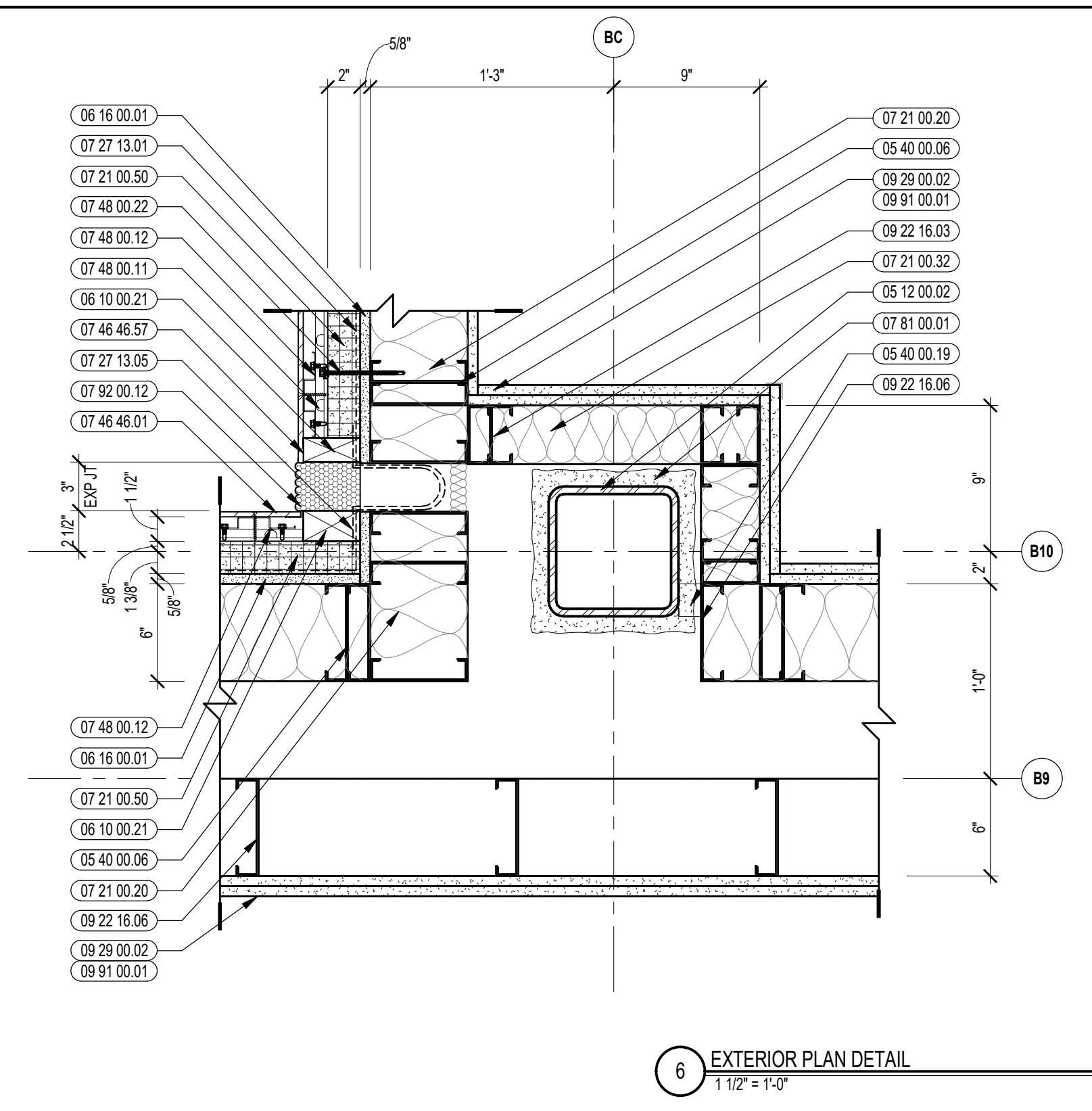
3 EXTERIOR PLAN DETAIL
1/12" = 1'-0"



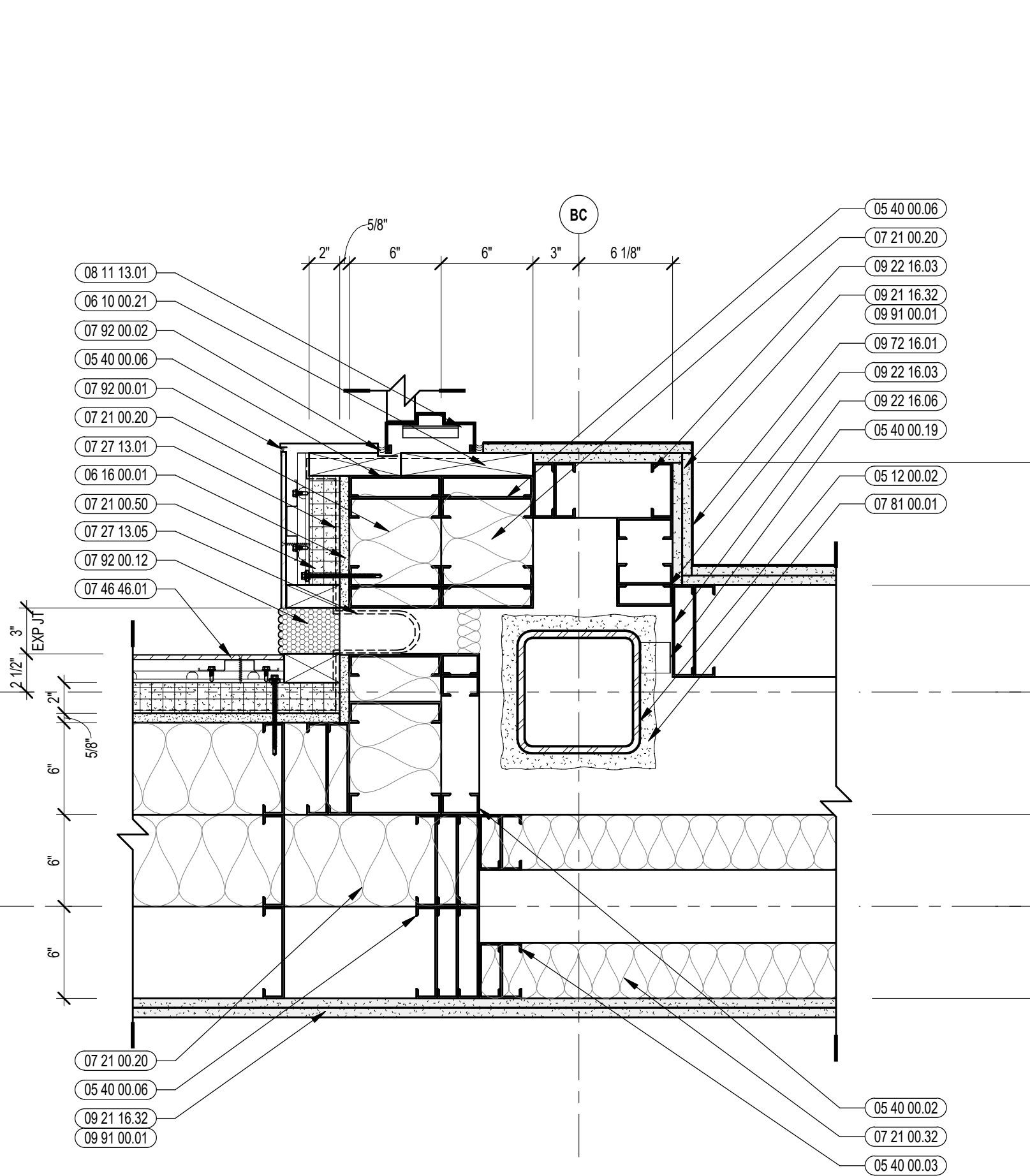
2 EXTERIOR PLAN DETAIL
1/12" = 1'-0"



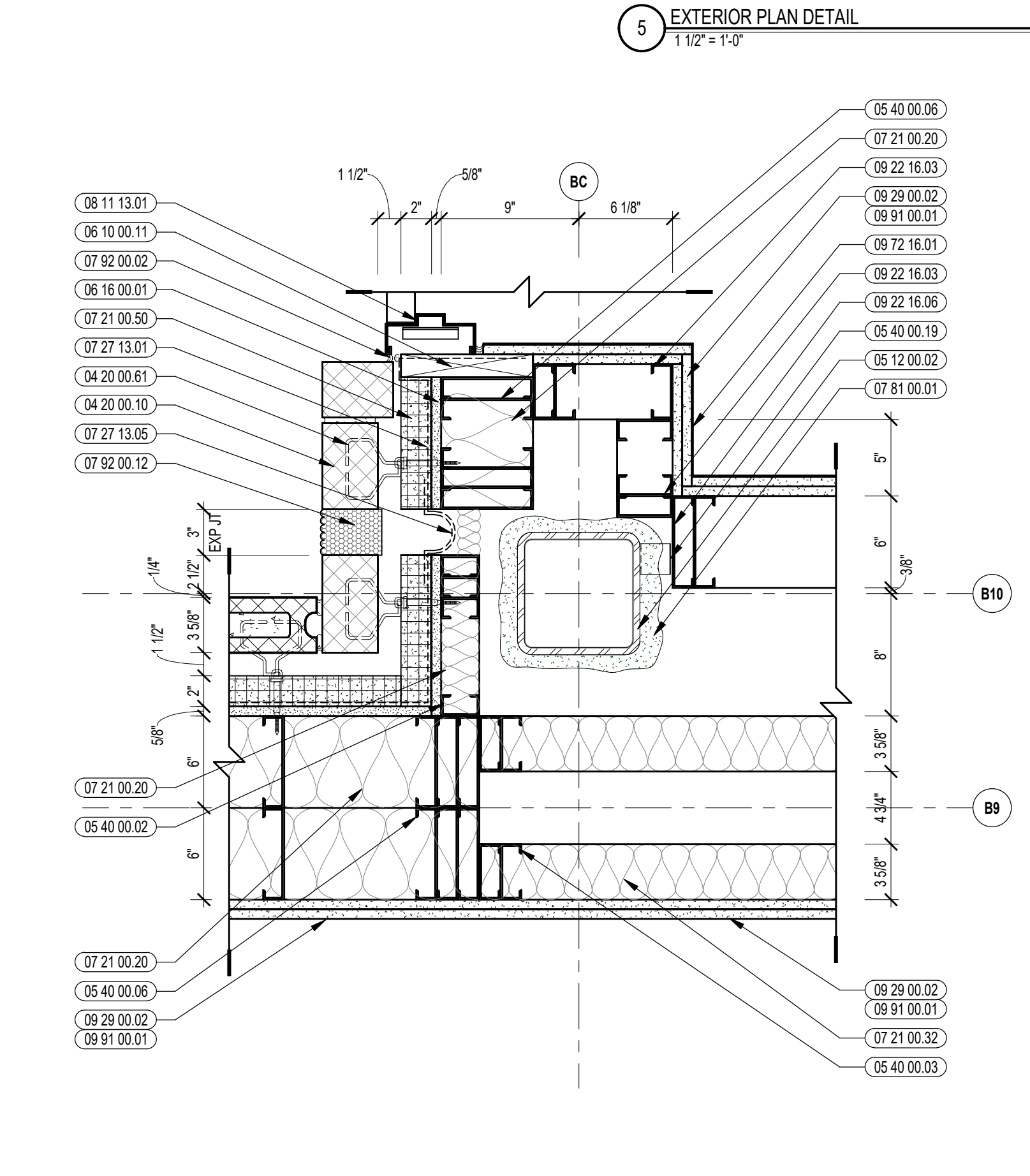
1 EXTERIOR PLAN DETAIL
1/12" = 1'-0"



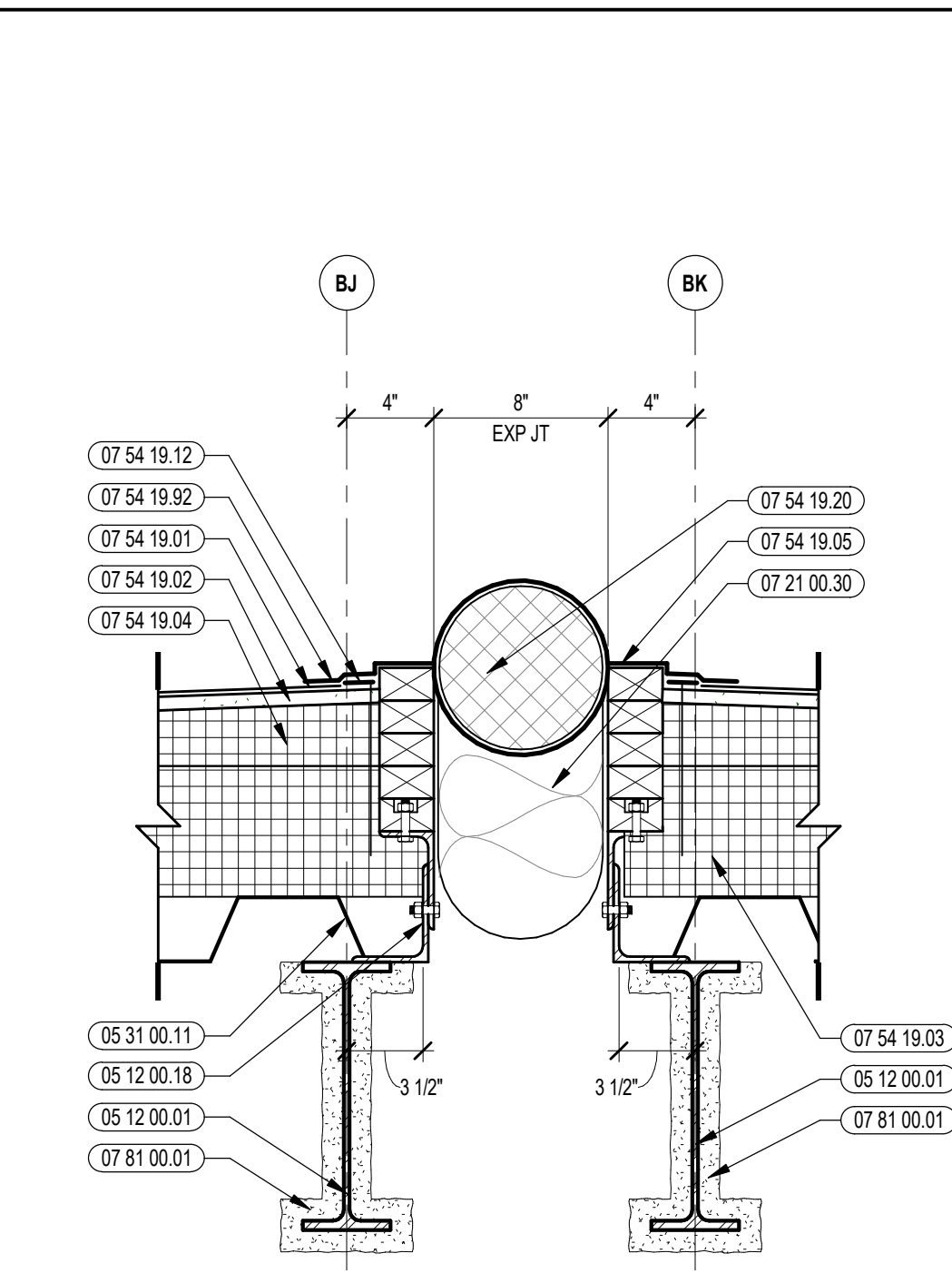
6 EXTERIOR PLAN DETAIL
1/12" = 1'-0"



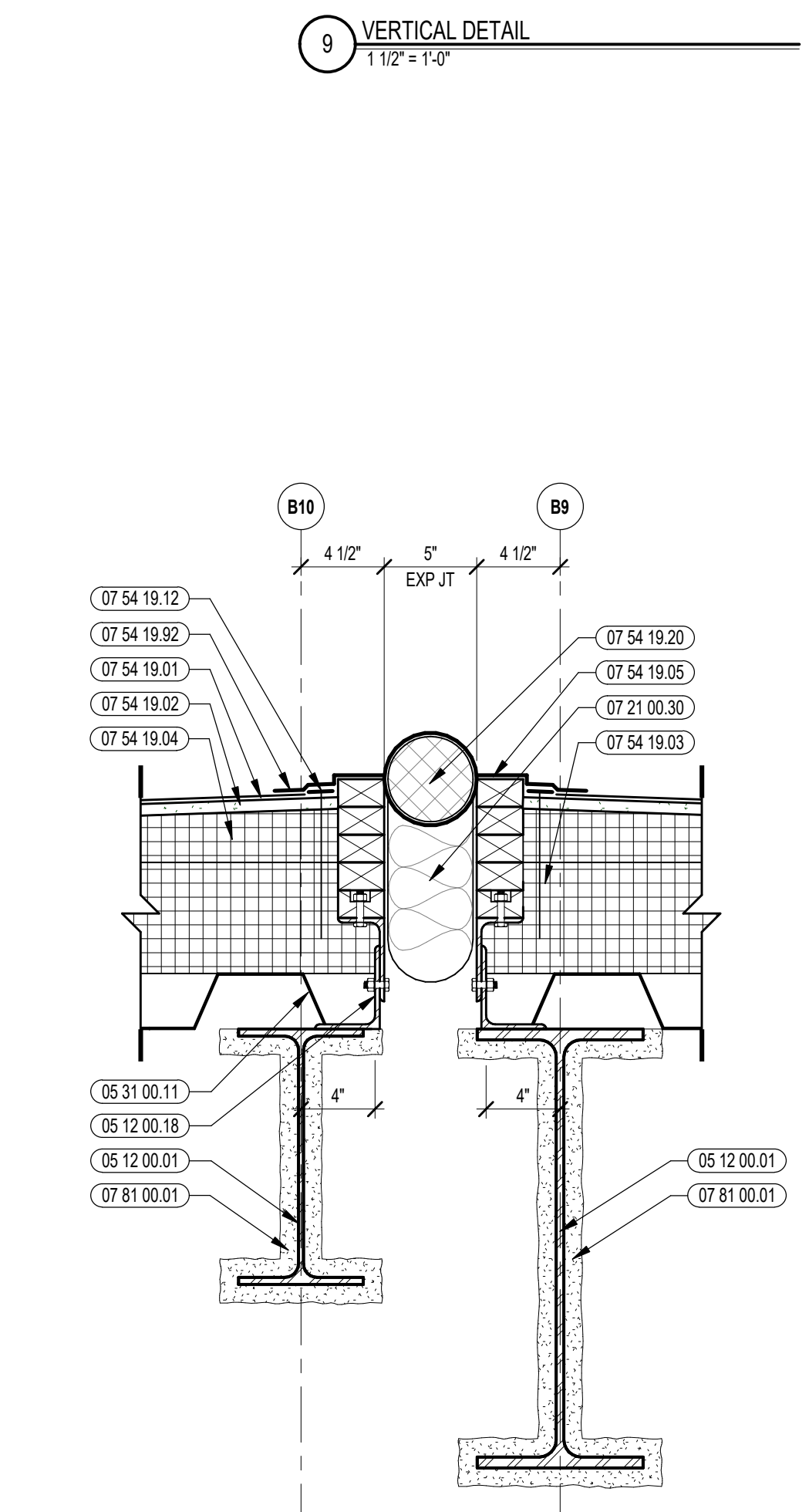
5 EXTERIOR PLAN DETAIL
1/12" = 1'-0"



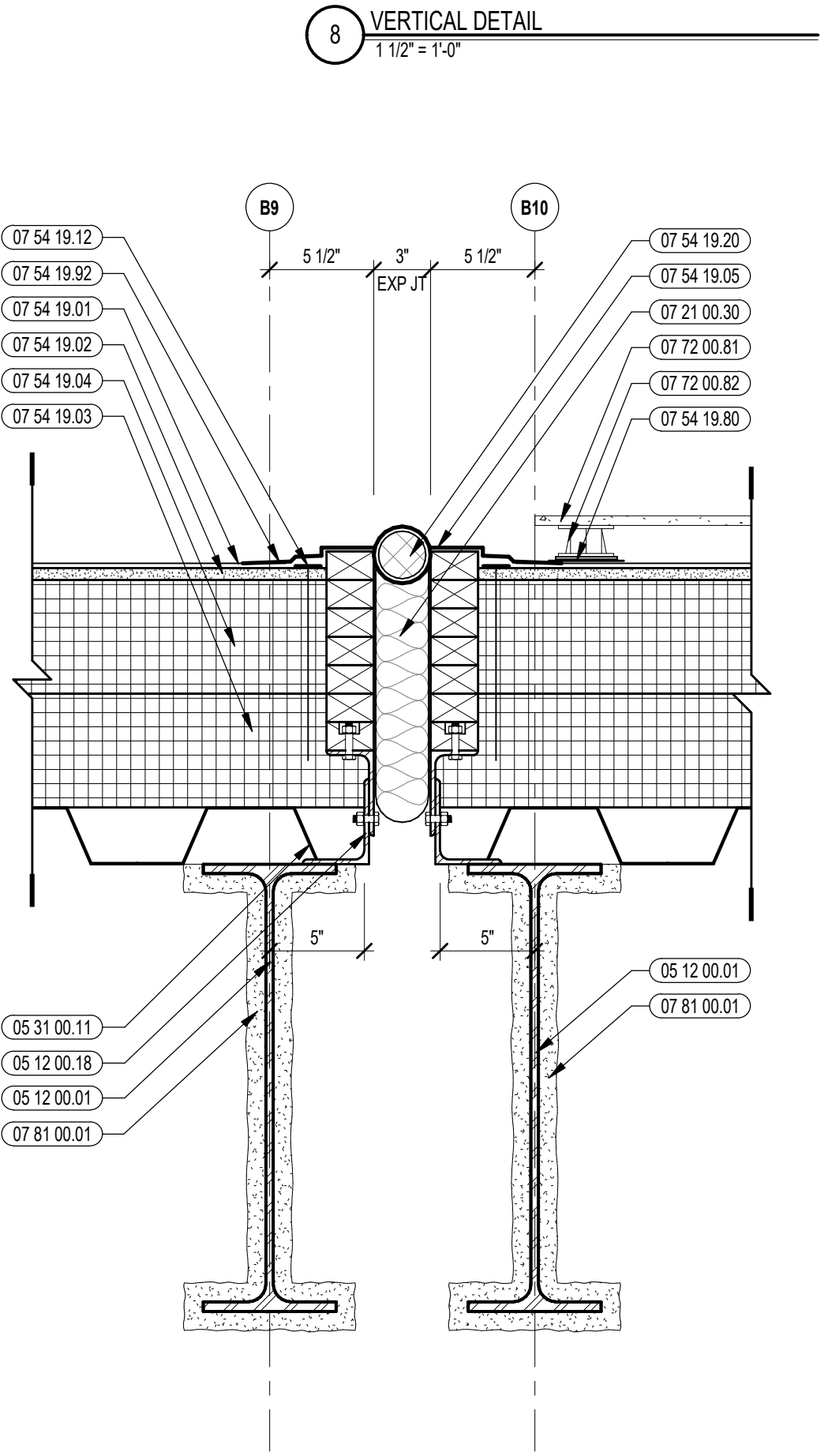
4 EXTERIOR PLAN DETAIL
1/12" = 1'-0"



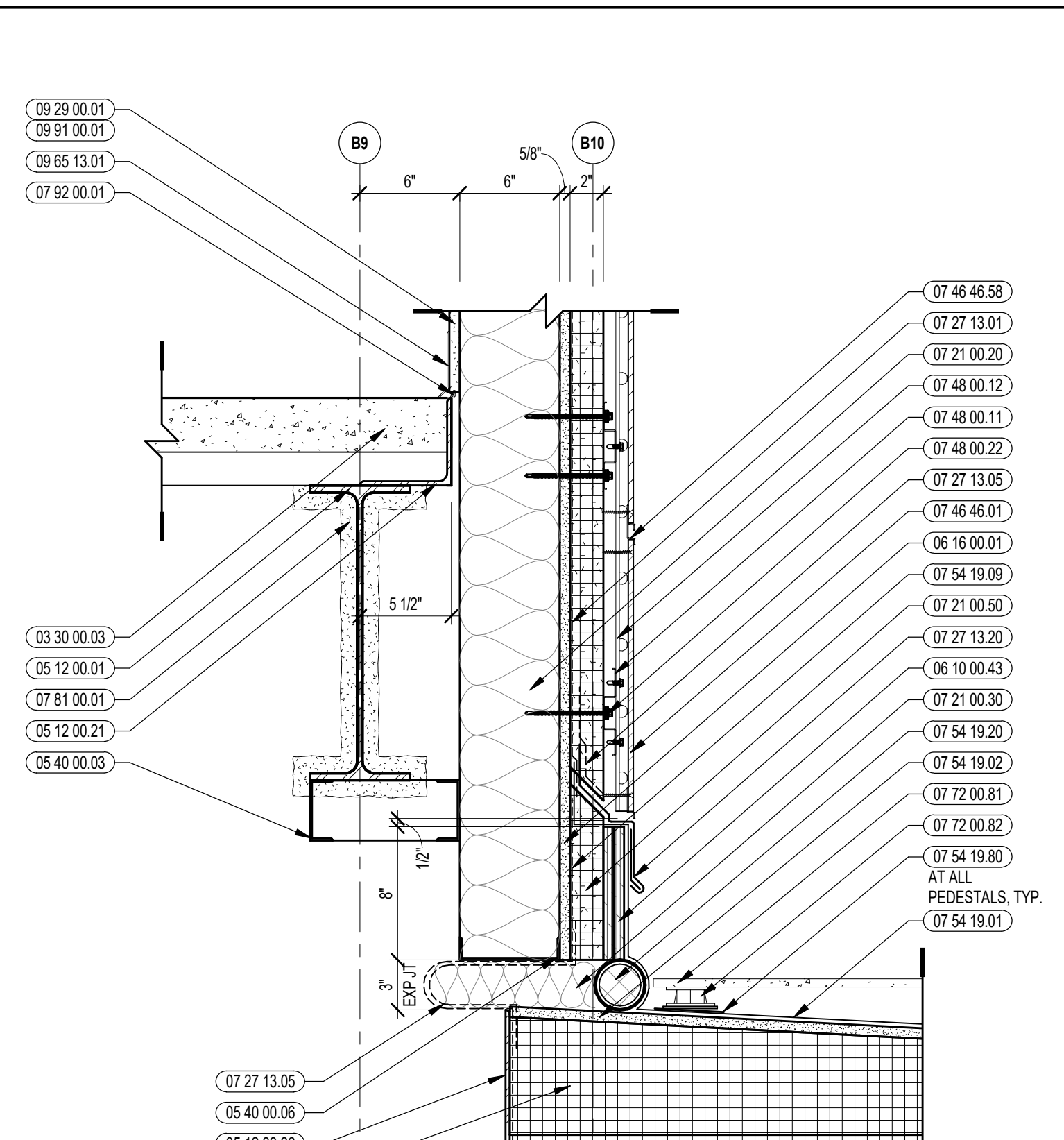
9 VERTICAL DETAIL
1/12" = 1'-0"



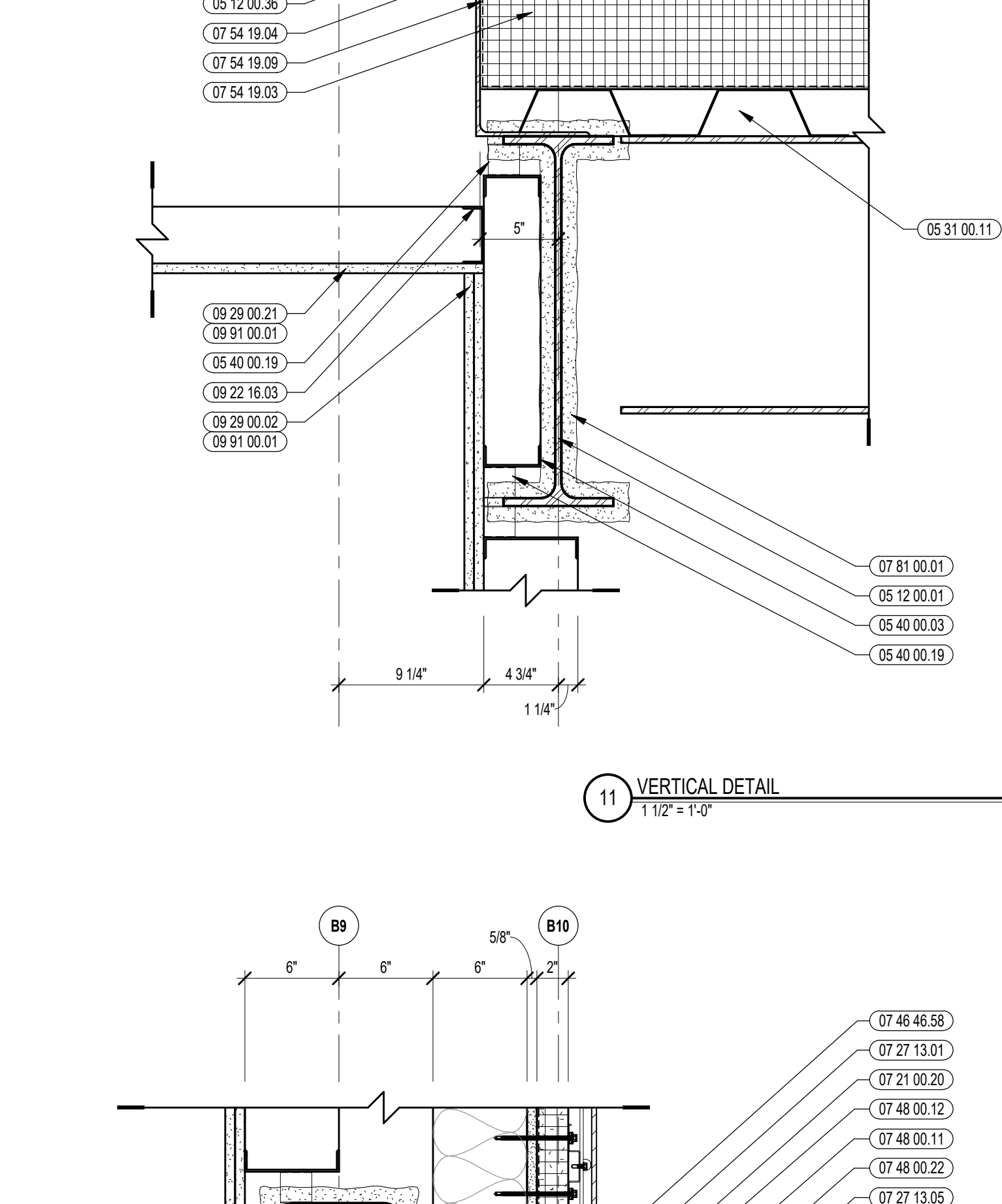
8 VERTICAL DETAIL
1/12" = 1'-0"



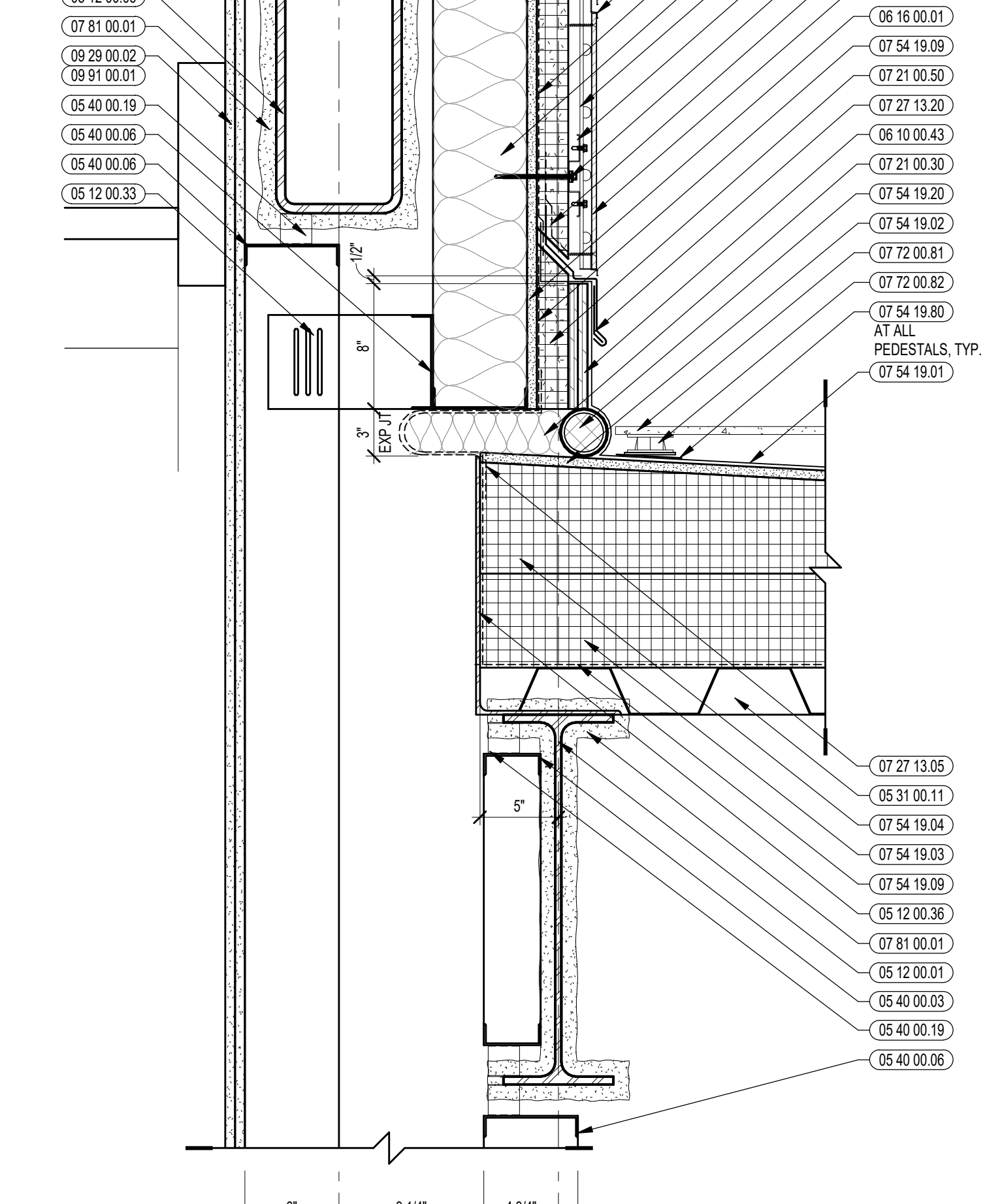
7 VERTICAL DETAIL
1/12" = 1'-0"



11 VERTICAL DETAIL
1/12" = 1'-0"



10 VERTICAL DETAIL
1/12" = 1'-0"



1 VERTICAL DETAIL
1/12" = 1'-0"

DOOR SCHEDULE

Table with columns: SECOND FLOOR, DOOR #, ROOM NAME, DR SIZE, TYPE, MAT'L, THK., DR FIN, TYPE, MAT'L, FIN., HEAD, JAMB, SILL, GLASS TYPE, SHADE, HDW SET, FIRE RATING, REMARKS. Contains detailed door specifications for various rooms like classrooms, offices, and storage areas.

DOOR SCHEDULE

Table with columns: FIRST FLOOR, DOOR #, ROOM NAME, DR SIZE, TYPE, MAT'L, THK., DR FIN, TYPE, MAT'L, FIN., HEAD, JAMB, SILL, GLASS TYPE, SHADE, HDW SET, FIRE RATING, REMARKS. Contains detailed door specifications for various rooms like classrooms, offices, and storage areas.

ABBREVIATIONS table listing material codes and their corresponding descriptions, such as ACST for acoustic, AL for aluminum, and PS1 for power supply.

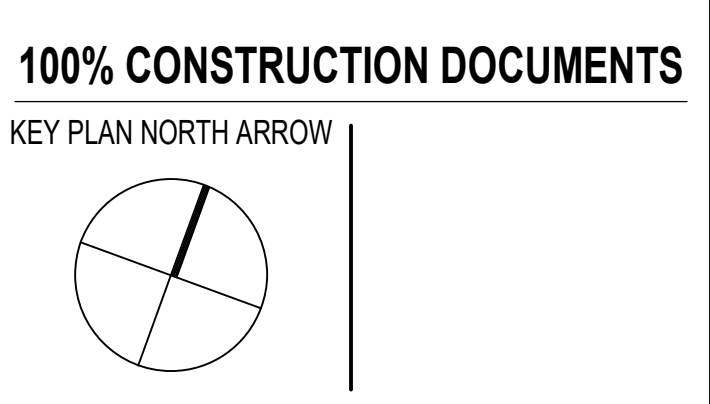
GLASS TYPE NOTES table providing technical specifications and requirements for different glass types, including laminated, fire-rated, and bullet-resistant glass.

REMARKS: GENERAL NOTES table containing general instructions and requirements for door installation and hardware.

REMARKS: SPECIAL CONDITION NOTES table containing specific instructions and requirements for doors with special conditions.



KEYNOTE LEGEND: A list of symbols and their corresponding door types or materials.



DRAWING NAME: DOOR SCHEDULE. Includes a key plan diagram with areas A, B, and C, and drawing information such as scale, date, and job number.

DOOR SCHEDULE

FOURTH FLOOR		DOOR		FRAME					GLASS TYPE	SHADE	HDW SET	FIRE RATING	REMARKS				
DOOR #	ROOM NAME	DR SIZE	TYPE	MAT'L	THK.	DR FIN	TYPE	MAT'L						FIN.	HEAD	JAMB	SILL
401-01	CITE (COMPUTER SCIENCE)	3'-0" X 7'-0"	A	SCW	0 1/4"	CLR	F3.1	HM	P	2 1/4" x 5 1/2"	2 1/4" x 6 5/8"	2 1/4" x 6 5/8"	12A6.51	SEE NOTE 1	MANUAL	38.0	SEE NOTE 1
401-01	CITE (COMPUTER SCIENCE)	3'-0" X 7'-0"	A	SCW	0 1/4"	CLR	F3.1	HM	P	1 1/2" x 5 1/2"	1 1/2" x 6 5/8"	1 1/2" x 6 5/8"	N/A	NONE	NONE	38.0	SEE NOTE 2
402-01	CLASSROOM	3'-0" X 7'-0"	A	SCW	0 1/4"	CLR	F3.1	HM	P	2 1/4" x 5 1/2"	2 1/4" x 6 5/8"	2 1/4" x 6 5/8"	12A6.51	SEE NOTE 1	MANUAL	38.0	SEE NOTE 1
402-01	CLASSROOM	3'-0" X 7'-0"	A	SCW	0 1/4"	CLR	F3.1	HM	P	2 1/4" x 5 1/2"	2 1/4" x 6 5/8"	2 1/4" x 6 5/8"	12A6.51	SEE NOTE 1	MANUAL	38.0	SEE NOTE 1
404-01	CLASSROOM	3'-0" X 7'-0"	A	SCW	0 1/4"	CLR	F3.1	HM	P	2 1/4" x 5 1/2"	2 1/4" x 6 5/8"	2 1/4" x 6 5/8"	12A6.51	SEE NOTE 1	MANUAL	38.0	SEE NOTE 1
405-01	CLASSROOM	3'-0" X 7'-0"	A	SCW	0 1/4"	CLR	F3.1	HM	P	2 1/4" x 5 1/2"	2 1/4" x 6 5/8"	2 1/4" x 6 5/8"	12A6.51	SEE NOTE 1	MANUAL	38.0	SEE NOTE 1
406-01	IDF	3'-0" X 7'-0"	A	SCW	0 1/4"	CLR	F1.1	HM	P	1 1/2" x 5 1/2"	1 1/2" x 6 5/8"	1 1/2" x 6 5/8"	N/A	NONE	NONE	30.0	SEE NOTE 1
407-01	ELEC	3'-0" X 7'-0"	A	HM	0 1/4"	P	F1.1	HM	P	3 1/2" x 5 1/2"	3 1/2" x 6 5/8"	3 1/2" x 6 5/8"	N/A	NONE	NONE	30.1	SEE NOTE 1
407A-01	SMALL GROUP	3'-0" X 7'-0"	A	SCW	0 1/4"	CLR	F3.1	HM	P	2 1/4" x 5 1/2"	2 1/4" x 6 5/8"	2 1/4" x 6 5/8"	12A6.51	SEE NOTE 1	NONE	44.0	SEE NOTE 1
408-01	CUSTODIAL	3'-0" X 7'-0"	A	SCW	0 1/4"	CLR	F1.1	HM	P	1 1/2" x 5 1/2"	1 1/2" x 6 5/8"	1 1/2" x 6 5/8"	N/A	NONE	NONE	32.0	SEE NOTE 1
410-01	CLASSROOM	3'-0" X 7'-0"	A	SCW	0 1/4"	CLR	F3.1	HM	P	2 1/4" x 5 1/2"	2 1/4" x 6 5/8"	2 1/4" x 6 5/8"	12A6.51	SEE NOTE 1	MANUAL	38.0	SEE NOTE 1
411-01	CHEMISTRY	3'-0" X 7'-0"	A	SCW	0 1/4"	CLR	F3.1	HM	P	2 1/4" x 5 1/2"	2 1/4" x 6 5/8"	2 1/4" x 6 5/8"	12A6.51	SEE NOTE 1	MANUAL	38.0	SEE NOTE 1
411A-01	SCIENCE PREP	3'-0" X 7'-0"	A	SCW	0 1/4"	CLR	F1.1	HM	P	1 1/2" x 5 1/2"	1 1/2" x 6 5/8"	1 1/2" x 6 5/8"	N/A	NONE	NONE	34.0	SEE NOTE 1
411A-02	SCIENCE PREP	3'-0" X 7'-0"	A	SCW	0 1/4"	CLR	F1.1	HM	P	1 1/2" x 5 1/2"	1 1/2" x 6 5/8"	1 1/2" x 6 5/8"	N/A	NONE	NONE	34.0	SEE NOTE 1
412-01	CLASSROOM (NEWCOMERS)	3'-0" X 7'-0"	A	SCW	0 1/4"	CLR	F3.1	HM	P	2 1/4" x 5 1/2"	2 1/4" x 6 5/8"	2 1/4" x 6 5/8"	12A6.51	SEE NOTE 1	MANUAL	38.0	SEE NOTE 1
412A-01	SMALL GROUP	3'-0" X 7'-0"	A	SCW	0 1/4"	CLR	F3.1	HM	P	2 1/4" x 5 1/2"	2 1/4" x 6 5/8"	2 1/4" x 6 5/8"	12A6.51	SEE NOTE 1	MANUAL	44.0	SEE NOTE 2
412A-02	SMALL GROUP	3'-0" X 7'-0"	A	SCW	0 1/4"	CLR	F3.1	HM	P	2 1/4" x 5 1/2"	2 1/4" x 6 5/8"	2 1/4" x 6 5/8"	12A6.51	SEE NOTE 1	NONE	44.0	SEE NOTE 1
413-01	CHEMISTRY	3'-0" X 7'-0"	A	SCW	0 1/4"	CLR	F3.1	HM	P	2 1/4" x 5 1/2"	2 1/4" x 6 5/8"	2 1/4" x 6 5/8"	12A6.51	SEE NOTE 1	MANUAL	38.0	SEE NOTE 1
414-01	CITE (TEACHING ACADEMY)	3'-0" X 7'-0"	A	SCW	0 1/4"	CLR	F3.1	HM	P	2 1/4" x 5 1/2"	2 1/4" x 6 5/8"	2 1/4" x 6 5/8"	12A6.51	SEE NOTE 1	MANUAL	38.0	SEE NOTE 1
415-01	MEDIA COMMONS	3'-0" X 7'-0"	A	SCW	0 1/4"	CLR	F3.1	HM	P	2 1/4" x 5 1/2"	2 1/4" x 6 5/8"	2 1/4" x 6 5/8"	12A6.51	SEE NOTE 1	NONE	38.0	SEE NOTE 1
415-02	MEDIA COMMONS	PR 3'-0" X 7'-0"	CC	SCW	0 1/4"	CLR	F3.1	HM	P	2 1/4" x 5 1/2"	2 1/4" x 6 5/8"	2 1/4" x 6 5/8"	12A6.51	SEE NOTE 1	MANUAL	19.0	SEE NOTE 1
416-01	ELEV CTRL ROOM	3'-0" X 7'-0"	A	HM	0 1/4"	P	F1.1	HM	P	3 1/2" x 5 1/2"	3 1/2" x 6 5/8"	3 1/2" x 6 5/8"	N/A	NONE	NONE	30.0	SEE NOTE 1
417-01	DIVERSE LEARNERS CONFERENCE	3'-0" X 7'-0"	A	SCW	0 1/4"	CLR	F3.1	HM	P	2 1/4" x 5 1/2"	2 1/4" x 6 5/8"	2 1/4" x 6 5/8"	12A6.51	SEE NOTE 1	MANUAL	36.0	SEE NOTE 2
418-01	CHEM STORAGE	3'-0" X 7'-0"	A	HM	0 1/4"	P	F1.1	HM	P	3 1/2" x 5 1/2"	3 1/2" x 6 5/8"	3 1/2" x 6 5/8"	N/A	NONE	NONE	30.0	SEE NOTE 1
419-01	DIVERSE LEARNERS (SPEECH)	3'-0" X 7'-0"	A	SCW	0 1/4"	CLR	F3.1	HM	P	2 1/4" x 5 1/2"	2 1/4" x 6 5/8"	2 1/4" x 6 5/8"	12A6.51	SEE NOTE 1	MANUAL	38.0	SEE NOTE 1
420-01	SCHOOL PSYCHOLOGIST	3'-0" X 7'-0"	A	SCW	0 1/4"	CLR	F3.1	HM	P	2 1/4" x 5 1/2"	2 1/4" x 6 5/8"	2 1/4" x 6 5/8"	12A6.51	SEE NOTE 1	MANUAL	38.0	SEE NOTE 1
421-01	CALMING ROOM	3'-0" X 7'-0"	B	SCW	0 1/4"	CLR	F1.1	HM	P	1 1/2" x 5 1/2"	1 1/2" x 6 5/8"	1 1/2" x 6 5/8"	N/A	NONE	NONE	41.0	SEE NOTE 1
422-01	SOCIAL WORKER	3'-0" X 7'-0"	A	SCW	0 1/4"	CLR	F3.1	HM	P	2 1/4" x 5 1/2"	2 1/4" x 6 5/8"	2 1/4" x 6 5/8"	12A6.51	SEE NOTE 1	MANUAL	38.0	SEE NOTE 1
423-01	SRO OFFICE	3'-0" X 7'-0"	A	SCW	0 1/4"	CLR	F3.1	HM	P	2 1/4" x 5 1/2"	2 1/4" x 6 5/8"	2 1/4" x 6 5/8"	12A6.51	SEE NOTE 1	MANUAL	38.0	SEE NOTE 1
424-01	SOCIAL WORKER	3'-0" X 7'-0"	A	SCW	0 1/4"	CLR	F3.1	HM	P	2 1/4" x 5 1/2"	2 1/4" x 6 5/8"	2 1/4" x 6 5/8"	12A6.51	SEE NOTE 1	MANUAL	38.0	SEE NOTE 1
425-01	DIVERSE LEARNERS (BEHAVIORAL OFFICE)	3'-0" X 7'-0"	A	SCW	0 1/4"	CLR	F3.1	HM	P	2 1/4" x 5 1/2"	2 1/4" x 6 5/8"	2 1/4" x 6 5/8"	12A6.51	SEE NOTE 1	MANUAL	38.0	SEE NOTE 1
426-01	DIVERSE LEARNERS (BEHAVIORAL MEETING)	3'-0" X 7'-0"	A	SCW	0 1/4"	CLR	F3.1	HM	P	2 1/4" x 5 1/2"	2 1/4" x 6 5/8"	2 1/4" x 6 5/8"	12A6.51	SEE NOTE 1	MANUAL	36.0	SEE NOTE 2
C401A-01	CORRIDOR	3'-0" X 7'-0"	A	SCW	0 1/4"	CLR	F3.1	HM	P	2 1/4" x 5 1/2"	2 1/4" x 6 5/8"	2 1/4" x 6 5/8"	12A6.51	SEE NOTE 1	MANUAL	23.0	SEE NOTES 6, 7, 8, PS
ST1-4-01	STAIR 1	PR 3'-0" X 7'-0"	DD	SCW	0 1/4"	CLR	F2.1	HM	P	3 1/2" x 5 1/2"	3 1/2" x 6 5/8"	3 1/2" x 6 5/8"	N/A	NONE	NONE	13.0	SEE NOTES 6, 7, 8, PS, FACP, LM
ST2-4-01	STAIR 2	PR 3'-0" X 7'-0"	DD	SCW	0 1/4"	CLR	F2.1	HM	P	3 1/2" x 5 1/2"	3 1/2" x 6 5/8"	3 1/2" x 6 5/8"	N/A	NONE	NONE	13.0	SEE NOTES 6, 7, 8, PS, FACP, LM
1401-01	BOYS TOILET	3'-0" X 7'-0"	A	SCW	0 1/4"	CLR	F1.1	HM	P	1 1/2" x 5 1/2"	1 1/2" x 6 5/8"	1 1/2" x 6 5/8"	N/A	NONE	NONE	26.0	SEE NOTE 1
1402-01	GIRLS TOILET	3'-0" X 7'-0"	A	SCW	0 1/4"	CLR	F1.1	HM	P	1 1/2" x 5 1/2"	1 1/2" x 6 5/8"	1 1/2" x 6 5/8"	N/A	NONE	NONE	26.0	SEE NOTE 1
1403-01	TOILET	3'-0" X 7'-0"	A	SCW	0 1/4"	CLR	F1.1	HM	P	1 1/2" x 5 1/2"	1 1/2" x 6 5/8"	1 1/2" x 6 5/8"	N/A	NONE	NONE	40.1	SEE NOTE 1
1404-01	TOILET	3'-0" X 7'-0"	A	SCW	0 1/4"	CLR	F1.1	HM	P	1 1/2" x 5 1/2"	1 1/2" x 6 5/8"	1 1/2" x 6 5/8"	N/A	NONE	NONE	40.1	SEE NOTE 1

DOOR SCHEDULE

ROOF		DOOR		FRAME					GLASS TYPE	SHADE	HDW SET	FIRE RATING	REMARKS				
DOOR #	ROOM NAME	DR SIZE	TYPE	MAT'L	THK.	DR FIN	TYPE	MAT'L						FIN.	HEAD	JAMB	SILL
ST5-5-01	STAIR 5	PR 3'-0" X 7'-0"	AA	HM	0 1/4"	P	F2.1	HM	P	2 1/4" x 5 1/2" SIM	2 1/4" x 6 5/8"	2 1/4" x 6 5/8"	N/A	NONE	NONE	8.0	SEE NOTES 6, 7, 8, PS

DOOR SCHEDULE

THIRD FLOOR		DOOR		FRAME					GLASS TYPE	SHADE	HDW SET	FIRE RATING	REMARKS				
DOOR #	ROOM NAME	DR SIZE	TYPE	MAT'L	THK.	DR FIN	TYPE	MAT'L						FIN.	HEAD	JAMB	SILL
222-03	CLASSROOM	3'-0" X 7'-0"	A	SCW	0 1/4"	CLR	F3.1	HM	P	2 1/4" x 5 1/2"	2 1/4" x 6 5/8"	2 1/4" x 6 5/8"	12A6.51	SEE NOTE 1	MANUAL	38.0	SEE NOTE 1
301A-01	SMALL GROUP	3'-0" X 7'-0"	A	SCW	0 1/4"	CLR	F3.1	HM	P	2 1/4" x 5 1/2"	2 1/4" x 6 5/8"	2 1/4" x 6 5/8"	12A6.51	SEE NOTE 1	NONE	44.0	SEE NOTE 1
302-01	MLL	3'-0" X 7'-0"	A	SCW	0 1/4"	CLR	F3.1	HM	P	2 1/4" x 5 1/2"	2 1/4" x 6 5/8"	2 1/4" x 6 5/8"	12A6.51	SEE NOTE 1	MANUAL	38.0	SEE NOTE 1
303-01	CLASSROOM	3'-0" X 7'-0"	A	SCW	0 1/4"	CLR	F3.1	HM	P	2 1/4" x 5 1/2"	2 1/4" x 6 5/8"	2 1/4" x 6 5/8"	12A6.51	SEE NOTE 1	MANUAL	38.0	SEE NOTE 1
304-01	MLL	3'-0" X 7'-0"	A	SCW	0 1/4"	CLR	F3.1	HM	P	2 1/4" x 5 1/2"	2 1/4" x 6 5/8"	2 1/4" x 6 5/8"	12A6.51	SEE NOTE 1	MANUAL	38.0	SEE NOTE 1
305-01	CLASSROOM	3'-0" X 7'-0"	A	SCW	0 1/4"	CLR	F3.1	HM	P	2 1/4" x 5 1/2"	2 1/4" x 6 5/8"	2 1/4" x 6 5/8"	12A6.51	SEE NOTE 1	MANUAL	38.0	SEE NOTE 1
306-01	IDF	3'-0" X 7'-0"	A	SCW	0 1/4"	CLR	F1.1	HM	P	1 1/2" x 5 1/2"	1 1/2" x 6 5/8"	1 1/2" x 6 5/8"	N/A	NONE	NONE	30.0	SEE NOTE 1
307-01	ELEC	3'-0" X 7'-0"	A	SCW	0 1/4"	P	F1.1	HM	P	3 1/2" x 5 1/2"	3 1/2" x 6 5/8"	3 1/2" x 6 5/8"	N/A	NONE	NONE	30.2	SEE NOTE 1
307A-01	SMALL GROUP	3'-0" X 7'-0"	A	HM	0 1/4"	CLR	F3.1	HM	P	2 1/4" x 5 1/2"	2 1/4" x 6 5/8"	2 1/4" x 6 5/8"	12A6.51	SEE NOTE 1	MANUAL	44.0	SEE NOTE 1
308-01	CORRIDOR	3'-0" X 7'-0"	A	SCW	0 1/4"	CLR	F3.1	HM	P	2 1/4" x 5 1/2"	2 1/4" x 6 5/8"	2 1/4" x 6 5/8"	N/A	NONE	NONE	32.0	SEE NOTE 1
308-01	COLLABORATION	3'-0" X 7'-0"	A	SCW	0 1/4"	CLR	F3.1	HM	P	2 1/4" x 5 1/2"	2 1/4" x 6 5/8"	2 1/4" x 6 5/8"	12A6.51	SEE NOTE 1	MANUAL	38.0	SEE NOTE 1
308A-01	SCIENCE PREP	3'-0" X 7'-0"	A	SCW	0 1/4"	CLR	F1.1	HM	P	1 1/2" x 5 1/2"	1 1/2" x 6 5/8"	1 1/2" x 6 5/8"	N/A	NONE	NONE	34.0	SEE NOTE 1
308A-02	SCIENCE PREP	3'-0" X 7'-0"	A	SCW	0 1/4"	CLR	F1.1	HM	P	1 1/2" x 5 1/2"	1 1/2" x 6 5/8"	1 1/2" x 6 5/8"	N/A	NONE	NONE	34.0	SEE NOTE 1
310-01	CITE (COMMUNITY LAW & ADVOCACY)	3'-0" X 7'-0"	A	SCW	0 1/4"	CLR	F3.1	HM	P	2 1/4" x 5 1/2"	2 1/4" x 6 5/8"	2 1/4" x 6 5/8"	12A6.51	SEE NOTE 1	MOTORIZED	38.0	SEE NOTE 1
310-02	CITE (COMMUNITY LAW & ADVOCACY)	PR 3'-0" X 7'-0"	CC	SCW	0 1/4"	CLR	F4.1	HM	P	2 1/4" x 5 1/2"	2 1/4" x 6 5/8"	2 1/4" x 6 5/8"	12A6.51	SEE NOTE 1	MOTORIZED	38.0	SEE NOTE 1
310A-01	STORAGE	3'-0" X 7'-0"	A	SCW	0 1/4"	CLR	F1.1	HM	P	1 1/2" x 5 1/2"	1 1/2" x 6 5/8"	1 1/2" x 6 5/8"	N/A	NONE	NONE	19.0	SEE NOTE 1
311																	



WINDOW SCHEDULE												
THIRD FLOOR												
WINDOW #	ROOM NAME	TYPE	MAT'L	FIN.	FRAME			GLASS TYPE	SHADE	FIRE RATING	REMARKS	
					HEAD	JAMB	SILL					
OPEN_AUDITO	CONTROL ROOM										SEE NOTE 1	NONE
W301-01	CLASSROOM	SF27.1	AL	PVFD	3/4x2 1/2 SIM	2/4x2 1/2 SIM	1/4x2 1/2 SIM	SEE NOTE 7.9	MANUAL		SEE NOTE 7.9	MANUAL
W301-02	CLASSROOM	SF28.1	AL	PVFD	3/4x2 1/2 SIM	2/4x2 1/2 SIM	1/4x2 1/2 SIM	SEE NOTE 7.9	MANUAL		SEE NOTE 7.9	MANUAL
W301A-01	SMALL GROUP	H20.1	HM	P	1/2x4x5.5	1/2x4x5.5	3/4x5.5	SEE NOTE 4	MANUAL		SEE NOTE 4	MANUAL
W301A-02	SMALL GROUP	H20.1	HM	P	1/2x4x5.5	1/2x4x5.5	3/4x5.5	SEE NOTE 4	MANUAL		SEE NOTE 4	MANUAL
W302-01	MILL	SF27.1	AL	PVFD	3/4x2 1/2 SIM	2/4x2 1/2 SIM	1/4x2 1/2 SIM	SEE NOTE 7.9	MANUAL		SEE NOTE 7.9	MANUAL
W302-02	MILL	SF11.5	AL	PVFD	3/4x2 1/2 SIM	2/4x2 1/2 SIM	1/4x2 1/2 SIM	SEE NOTE 7.9	MANUAL		SEE NOTE 7.9	MANUAL
W302-03	MILL	SF27.1	AL	PVFD	3/4x2 1/2 SIM	2/4x2 1/2 SIM	1/4x2 1/2 SIM	SEE NOTE 7.9	MANUAL		SEE NOTE 7.9	MANUAL
W303-01	CLASSROOM	SF27.1	AL	PVFD	3/4x2 1/2 SIM	2/4x2 1/2 SIM	1/4x2 1/2 SIM	SEE NOTE 7.9	MANUAL		SEE NOTE 7.9	MANUAL
W303-02	CLASSROOM	SF28.1	AL	PVFD	3/4x2 1/2 SIM	2/4x2 1/2 SIM	1/4x2 1/2 SIM	SEE NOTE 7.9	MANUAL		SEE NOTE 7.9	MANUAL
W303-03	CLASSROOM	SF10.2	AL	PVFD	3/4x2 1/2 SIM	2/4x2 1/2 SIM	1/4x2 1/2 SIM	SEE NOTE 7.9	MANUAL		SEE NOTE 7.9	MANUAL
W304-01	MILL	SF28.1	AL	PVFD	3/4x2 1/2 SIM	2/4x2 1/2 SIM	1/4x2 1/2 SIM	SEE NOTE 7.9	MANUAL		SEE NOTE 7.9	MANUAL
W304-02	MILL	SF27.1	AL	PVFD	3/4x2 1/2 SIM	2/4x2 1/2 SIM	1/4x2 1/2 SIM	SEE NOTE 7.9	MANUAL		SEE NOTE 7.9	MANUAL
W305-01	CLASSROOM	SF28.1	AL	PVFD	3/4x2 1/2 SIM	2/4x2 1/2 SIM	1/4x2 1/2 SIM	SEE NOTE 7.9	MANUAL		SEE NOTE 7.9	MANUAL
W305-02	CLASSROOM	SF10.2	AL	PVFD	3/4x2 1/2 SIM	2/4x2 1/2 SIM	1/4x2 1/2 SIM	SEE NOTE 7.9	MANUAL		SEE NOTE 7.9	MANUAL
W305-03	CLASSROOM	SF27.1	AL	PVFD	3/4x2 1/2 SIM	2/4x2 1/2 SIM	1/4x2 1/2 SIM	SEE NOTE 7.9	MANUAL		SEE NOTE 7.9	MANUAL
W306-01	PHYSICAL SCIENCE	H22.1	HM	P	2/4x5.5	2/4x5.5	3/4x5.5	SEE NOTE 1	MOTORIZED		SEE NOTE 1	MOTORIZED
W310-01	CTE (COMMUNITY LAW & ADVOCACY)	SF10.2	AL	PVFD	3/4x2 1/2 SIM	2/4x2 1/2 SIM	1/4x2 1/2 SIM	SEE NOTE 7.9	MOTORIZED		SEE NOTE 7.9	MOTORIZED
W310-02	CTE (COMMUNITY LAW & ADVOCACY)	SF28.1	AL	PVFD	3/4x2 1/2 SIM	2/4x2 1/2 SIM	1/4x2 1/2 SIM	SEE NOTE 7.9	MOTORIZED		SEE NOTE 7.9	MOTORIZED
W310-03	CTE (COMMUNITY LAW & ADVOCACY)	SF27.1	AL	PVFD	3/4x2 1/2 SIM	2/4x2 1/2 SIM	1/4x2 1/2 SIM	SEE NOTE 7.9	MOTORIZED		SEE NOTE 7.9	MOTORIZED
W310-04	CTE (COMMUNITY LAW & ADVOCACY)	H22.1	HM	P	2/4x5.5	2/4x5.5	3/4x5.5	SEE NOTE 1	MOTORIZED		SEE NOTE 1	MOTORIZED
W310-05	CTE (COMMUNITY LAW & ADVOCACY)	SF10.2	AL	PVFD	3/4x2 1/2 SIM	2/4x2 1/2 SIM	1/4x2 1/2 SIM	SEE NOTE 7.9	MOTORIZED		SEE NOTE 7.9	MOTORIZED
W310-06	CTE (COMMUNITY LAW & ADVOCACY)	SF28.1	AL	PVFD	3/4x2 1/2 SIM	2/4x2 1/2 SIM	1/4x2 1/2 SIM	SEE NOTE 7.9	MOTORIZED		SEE NOTE 7.9	MOTORIZED
W310-07	CTE (COMMUNITY LAW & ADVOCACY)	SF27.1	AL	PVFD	3/4x2 1/2 SIM	2/4x2 1/2 SIM	1/4x2 1/2 SIM	SEE NOTE 7.9	MOTORIZED		SEE NOTE 7.9	MOTORIZED
W310-08	PHYSICAL SCIENCE	H22.1	HM	P	2/4x5.5	2/4x5.5	3/4x5.5	SEE NOTE 1	MANUAL		SEE NOTE 1	MANUAL
W312-01	CLASSROOM	SF27.1	AL	PVFD	3/4x2 1/2 SIM	2/4x2 1/2 SIM	1/4x2 1/2 SIM	SEE NOTE 7.9	MANUAL		SEE NOTE 7.9	MANUAL
W312-02	CLASSROOM	SF10.2	AL	PVFD	3/4x2 1/2 SIM	2/4x2 1/2 SIM	1/4x2 1/2 SIM	SEE NOTE 7.9	MANUAL		SEE NOTE 7.9	MANUAL
W312-03	CLASSROOM	SF27.1	AL	PVFD	3/4x2 1/2 SIM	2/4x2 1/2 SIM	1/4x2 1/2 SIM	SEE NOTE 7.9	MANUAL		SEE NOTE 7.9	MANUAL
W313A-01	MEDIA OFFICE	H21.1	HM	P	2/4x5.5	2/4x5.5	3/4x5.5	SEE NOTE 1	MANUAL		SEE NOTE 1	MANUAL
W314-01	TEACHER PLANNING	SF28.1	AL	PVFD	3/4x2 1/2 SIM	2/4x2 1/2 SIM	1/4x2 1/2 SIM	SEE NOTE 7.9	MANUAL		SEE NOTE 7.9	MANUAL
W314-02	TEACHER PLANNING	SF11.5	AL	PVFD	3/4x2 1/2 SIM	2/4x2 1/2 SIM	1/4x2 1/2 SIM	SEE NOTE 7.9	MANUAL		SEE NOTE 7.9	MANUAL
W314-03	TEACHER PLANNING	SF27.1	AL	PVFD	3/4x2 1/2 SIM	2/4x2 1/2 SIM	1/4x2 1/2 SIM	SEE NOTE 7.9	MANUAL		SEE NOTE 7.9	MANUAL
W315-01	ART	SF27.1	AL	PVFD	3/4x2 1/2 SIM	2/4x2 1/2 SIM	1/4x2 1/2 SIM	SEE NOTE 7.9	MANUAL		SEE NOTE 7.9	MANUAL
W315-02	ART	SF28.1	AL	PVFD	3/4x2 1/2 SIM	2/4x2 1/2 SIM	1/4x2 1/2 SIM	SEE NOTE 7.9	MANUAL		SEE NOTE 7.9	MANUAL
W315-03	ART	SF27.1	AL	PVFD	3/4x2 1/2 SIM	2/4x2 1/2 SIM	1/4x2 1/2 SIM	SEE NOTE 7.9	MANUAL		SEE NOTE 7.9	MANUAL
W315-04	ART	SF27.1	AL	PVFD	3/4x2 1/2 SIM	2/4x2 1/2 SIM	1/4x2 1/2 SIM	SEE NOTE 7.9	MANUAL		SEE NOTE 7.9	MANUAL
W315-05	ART	SF10.2	AL	PVFD	3/4x2 1/2 SIM	2/4x2 1/2 SIM	1/4x2 1/2 SIM	SEE NOTE 7.9	MANUAL		SEE NOTE 7.9	MANUAL
W315-06	ART	SF28.1	AL	PVFD	3/4x2 1/2 SIM	2/4x2 1/2 SIM	1/4x2 1/2 SIM	SEE NOTE 7.9	MANUAL		SEE NOTE 7.9	MANUAL
W315-07	ART	SF27.1	AL	PVFD	3/4x2 1/2 SIM	2/4x2 1/2 SIM	1/4x2 1/2 SIM	SEE NOTE 7.9	MANUAL		SEE NOTE 7.9	MANUAL
W315-08	ART	SF28.1	AL	PVFD	3/4x2 1/2 SIM	2/4x2 1/2 SIM	1/4x2 1/2 SIM	SEE NOTE 7.9	MANUAL		SEE NOTE 7.9	MANUAL
W315-09	ART	SF28.1	AL	PVFD	3/4x2 1/2 SIM	2/4x2 1/2 SIM	1/4x2 1/2 SIM	SEE NOTE 7.9	MANUAL		SEE NOTE 7.9	MANUAL
W315-10	ART	SF11.5	AL	PVFD	3/4x2 1/2 SIM	2/4x2 1/2 SIM	1/4x2 1/2 SIM	SEE NOTE 7.9	MANUAL		SEE NOTE 7.9	MANUAL
W316-04	ART	SF28.1	AL	PVFD	3/4x2 1/2 SIM	2/4x2 1/2 SIM	1/4x2 1/2 SIM	SEE NOTE 7.9	MANUAL		SEE NOTE 7.9	MANUAL
W322-01	CHORUS	SF19.1	AL	PVFD	3/4x2 1/2 SIM	2/4x2 1/2 SIM	1/4x2 1/2 SIM	SEE NOTE 7.9	MOTORIZED		SEE NOTE 7.9	MOTORIZED
W324-01	BAND	SF21.1	AL	PVFD	3/4x2 1/2 SIM	2/4x2 1/2 SIM	1/4x2 1/2 SIM	SEE NOTE 7.9	MOTORIZED		SEE NOTE 7.9	MOTORIZED
W324-02	BAND	SF28.1	AL	PVFD	3/4x2 1/2 SIM	2/4x2 1/2 SIM	1/4x2 1/2 SIM	SEE NOTE 7.9	MOTORIZED		SEE NOTE 7.9	MOTORIZED
W325-01	MUSIC STORAGE	SF10.3	AL	PVFD	3/4x2 1/2 SIM	2/4x2 1/2 SIM	1/4x2 1/2 SIM	SEE NOTE 7.9	MOTORIZED		SEE NOTE 7.9	MOTORIZED
W326-02	MUSIC STORAGE	SF11.6	AL	PVFD	3/4x2 1/2 SIM	2/4x2 1/2 SIM	1/4x2 1/2 SIM	SEE NOTE 7.9	MOTORIZED		SEE NOTE 7.9	MOTORIZED
W330-01	CORRIDOR	SF11.5	AL	PVFD	3/4x2 1/2 SIM	2/4x2 1/2 SIM	1/4x2 1/2 SIM	SEE NOTE 7.9	NONE		SEE NOTE 7.9	NONE
W330-02	CORRIDOR	SF11.5	AL	PVFD	3/4x2 1/2 SIM	2/4x2 1/2 SIM	1/4x2 1/2 SIM	SEE NOTE 7.9	NONE		SEE NOTE 7.9	NONE
W330-03	CORRIDOR	SF11.5	AL	PVFD	3/4x2 1/2 SIM	2/4x2 1/2 SIM	1/4x2 1/2 SIM	SEE NOTE 7.9	NONE		SEE NOTE 7.9	NONE
W330-04	CORRIDOR	SF17.3	AL	PVFD	3/4x2 1/2 SIM	2/4x2 1/2 SIM	1/4x2 1/2 SIM	SEE NOTE 7.9	NONE		SEE NOTE 7.9	NONE
W330-05	CORRIDOR	SF17.3	AL	PVFD	3/4x2 1/2 SIM	2/4x2 1/2 SIM	1/4x2 1/2 SIM	SEE NOTE 7.9	NONE		SEE NOTE 7.9	NONE
W330-06	CORRIDOR	SF17.3	AL	PVFD	3/4x2 1/2 SIM	2/4x2 1/2 SIM	1/4x2 1/2 SIM	SEE NOTE 7.9	NONE		SEE NOTE 7.9	NONE
W330-07	STAR TRAMP 1	SF22.2	AL	PVFD	3/4x2 1/2 SIM	2/4x2 1/2 SIM	1/4x2 1/2 SIM	SEE NOTE 7.9	NONE		SEE NOTE 7.9	NONE
W331-3-01	STAR 1	SF11.4	AL	PVFD	3/4x2 1/2 SIM	2/4x2 1/2 SIM	1/4x2 1/2 SIM	SEE NOTE 7.9	NONE		SEE NOTE 7.9	NONE
W331-3-02	STAR 1	SF10.2	AL	PVFD	3/4x2 1/2 SIM	2/4x2 1/2 SIM	1/4x2 1/2 SIM	SEE NOTE 7.9	NONE		SEE NOTE 7.9	NONE
W331-3-03	STAR 5	SF12.7	AL	PVFD	3/4x2 1/2 SIM	2/4x2 1/2 SIM	1/4x2 1/2 SIM	SEE NOTE 7.9	NONE		SEE NOTE 7.9	NONE
W331-3-04	STAR 5	SF13.3	AL	PVFD	3/4x2 1/2 SIM	2/4x2 1/2 SIM	1/4x2 1/2 SIM	SEE NOTE 7.9	NONE		SEE NOTE 7.9	NONE

WINDOW SCHEDULE												
FOURTH FLOOR												
WINDOW #	ROOM NAME	TYPE	MAT'L	FIN.	FRAME			GLASS TYPE	SHADE	FIRE RATING	REMARKS	
					HEAD	JAMB	SILL					
W401-01	CTE (COMPUTER SCIENCE)	SF27.1	AL	PVFD	3/4x2 1/2 SIM	2/4x2 1/2 SIM	1/4x2 1/2 SIM	SEE NOTE 7.9	MANUAL		SEE NOTE 7.9	MANUAL
W401-02	CTE (COMPUTER SCIENCE)	SF28.1	AL	PVFD	3/4x2 1/2 SIM	2/4x2 1/2 SIM	1/4x2 1/2 SIM	SEE NOTE 7.9	MANUAL		SEE NOTE 7.9	MANUAL
W402-01	CLASSROOM	SF27.1	AL	PVFD	3/4x2 1/2 SIM	2/4x2 1/2 SIM	1/4x2 1/2 SIM	SEE NOTE 7.9	MANUAL		SEE NOTE 7.9	MANUAL
W402-02	CLASSROOM	SF27.1	AL	PVFD	3/4x2 1/2 SIM	2/4x2 1/2 SIM	1/4x2 1/2 SIM	SEE NOTE 7.9	MANUAL		SEE NOTE 7.9	MANUAL
W402-03	CLASSROOM	SF27.1	AL	PVFD	3/4x2 1/2 SIM	2/4x2 1/2 SIM	1/4x2 1/2 SIM	SEE NOTE 7.9	MANUAL		SEE NOTE 7.9	MANUAL
W403-01	CLASSROOM	SF27.1	AL	PVFD	3/4x2 1/2 SIM	2/4x2 1/2 SIM	1/4x2 1/2 SIM	SEE NOTE 7.9	MANUAL		SEE NOTE 7.9	MANUAL
W403-02	CLASSROOM	SF28.1	AL	PVFD	3/4x2 1/2 SIM	2/4x2 1/2 SIM	1/4x2 1/2 SIM	SEE NOTE 7.9	MANUAL		SEE NOTE 7.9	MANUAL
W403-03	CLASSROOM	SF10.2	AL	PVFD	3/4x2 1/2 SIM	2/4x2 1/2 SIM	1/4x2 1/2 SIM	SEE NOTE 7.9	MANUAL		SEE NOTE 7.9	MANUAL
W404-01	CLASSROOM	SF27.1	AL	PVFD	3/4x2 1/2 SIM	2/4x2 1/2 SIM	1/4x2 1/2 SIM	SEE NOTE 7.9	MANUAL		SEE NOTE 7.9	MANUAL
W405-01	CLASSROOM	SF28.1	AL	PVFD	3/4x2 1/2 SIM	2/4x2 1/2 SIM	1/4x2 1/2 SIM	SEE NOTE 7.9	MANUAL		SEE NOTE 7.9	MANUAL
W405-02	CLASSROOM	SF10.2	AL	PVFD	3/4x2 1/2 SIM	2/4x2 1/2 SIM	1/4x2 1/2 SIM	SEE NOTE 7.9	MANUAL		SEE NOTE 7.9	MANUAL
W405-03	CLASSROOM	SF27.1	AL	PVFD	3/4x2 1/2 SIM	2/4x2 1/2 SIM	1/4x2 1/2 SIM	SEE NOTE 7.9	MANUAL		SEE NOTE 7.9	MANUAL
W410-01	CLASSROOM	SF27.1	AL	PVFD	3/4x2 1/2 SIM	2/4x2 1/2 SIM	1/4x2 1/2 SIM	SEE NOTE 7.9	MANUAL		SEE NOTE 7.9	MANUAL
W410-02	CLASSROOM	SF27.1	AL	PVFD	3/4x2 1/2 SIM	2/4x2 1/2 SIM	1/4x2 1/2 SIM	SEE NOTE 7.9	MANUAL		SEE NOTE 7.9	MANUAL
W410-03	CTE (COMMUNITY LAW & ADVOCACY)	H23.1	HM	P	1/2x4x5.5	1/2x4x5.5	3/4x5.5	SEE NOTE 4	MOTORIZED		SEE NOTE 4	MOTORIZED
W411-01	CHEMISTRY	H22.1	HM	P	2/4x5.5	2/4x5.5	3/4x5.5	SEE NOTE 1	MANUAL		SEE NOTE 1	MANUAL
W412-01	CLASSROOM (NEWCOMERS)	SF11.5	AL	PVFD	3/4x2 1/2 SIM	2/4x2 1/2 SIM	1/4x2 1/2 SIM	SEE NOTE 7.9	MANUAL		SEE NOTE 7.9	MANUAL
W412-02	CLASSROOM (NEWCOMERS)	SF27.1	AL	PVFD	3/4x2 1/2 SIM	2/4x2 1/2 SIM	1/4x2 1/2 SIM	SEE NOTE 7.9	MANUAL		SEE NOTE 7.9	MANUAL
W412-03	CLASSROOM (NEWCOMERS)	SF27.1	AL	PVFD	3/4x2 1/2 SIM	2/4x2 1/2 SIM	1/4x2 1/2 SIM	SEE NOTE 7.9	MANUAL		SEE NOTE 7.9	MANUAL
W413-01	CHEMISTRY	H22.1	HM	P	2/4x5.5	2/4x5.5	3/4x5.5	SEE NOTE 1	MANUAL		SEE NOTE 1	MANUAL
W414-01	CTE (TEACHING ACADEMY)	SF28.1	AL									

LOUVER SCHEDULE

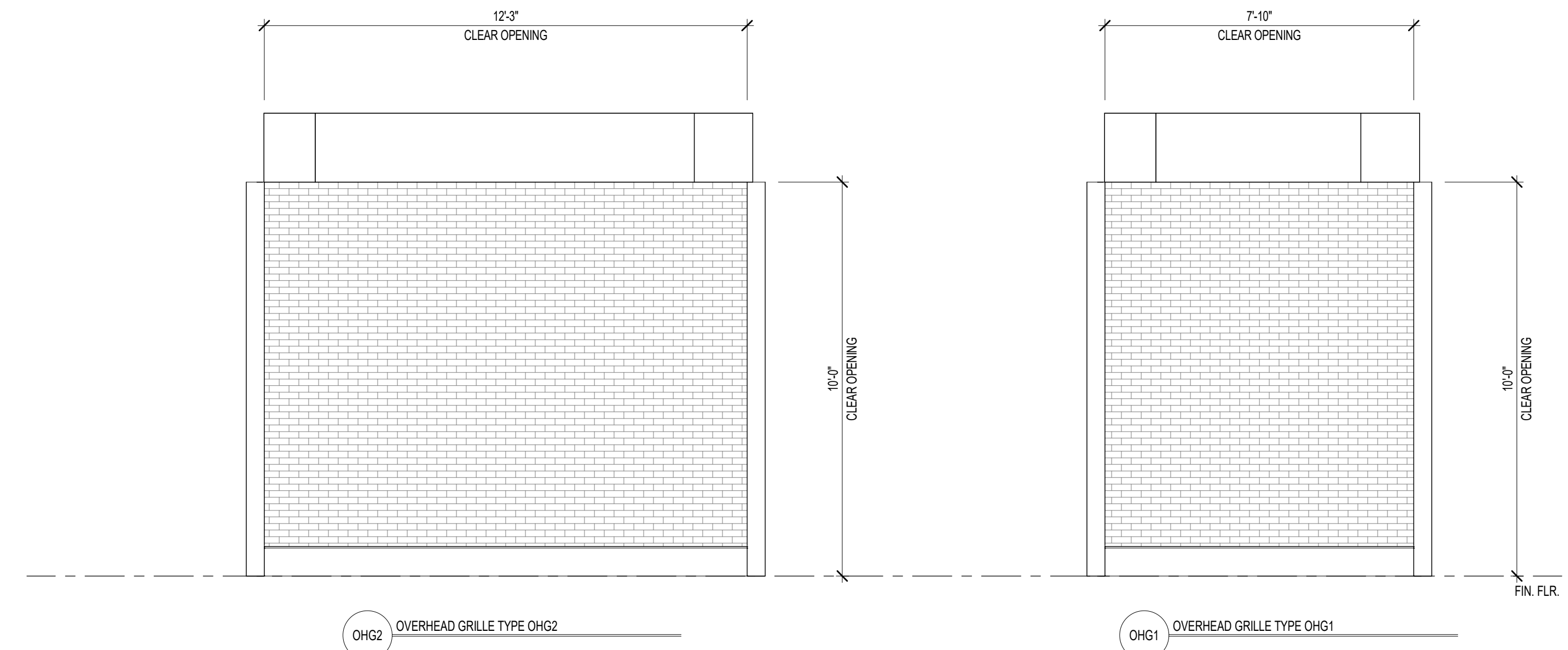
LOUVER #	ROOM NAME	FRAME						GLASS TYPE	SHADE	FIRE RATING	REMARKS
		TYPE	MATL	FIN.	HEAD	JAMB	SILL				
L230-01	MECHANICAL	L1.1	AL	PVFD	3/16" T1 SIM	2/16" T1 SIM	1/16" T1 SIM	NONE			
L319-01	ROOF TERRACE	L2.1	AL	PVFD	3/16" T1 SIM	2/16" T1 SIM	1/16" T1 SIM	NONE			



CENTRAL FALLS HIGH SCHOOL
10 HIGGINSON AVE, CENTRAL FALLS, RI

Copyright © 2023, A3 Architects, Inc.

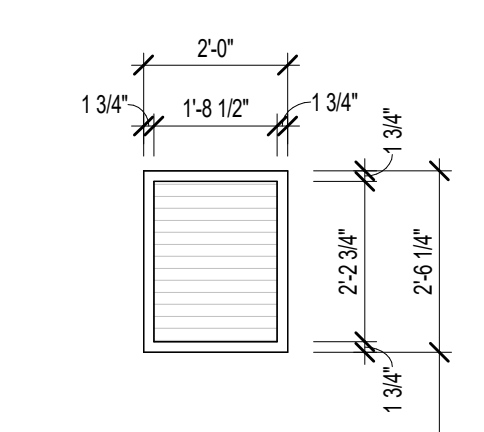
KEYNOTE LEGEND:



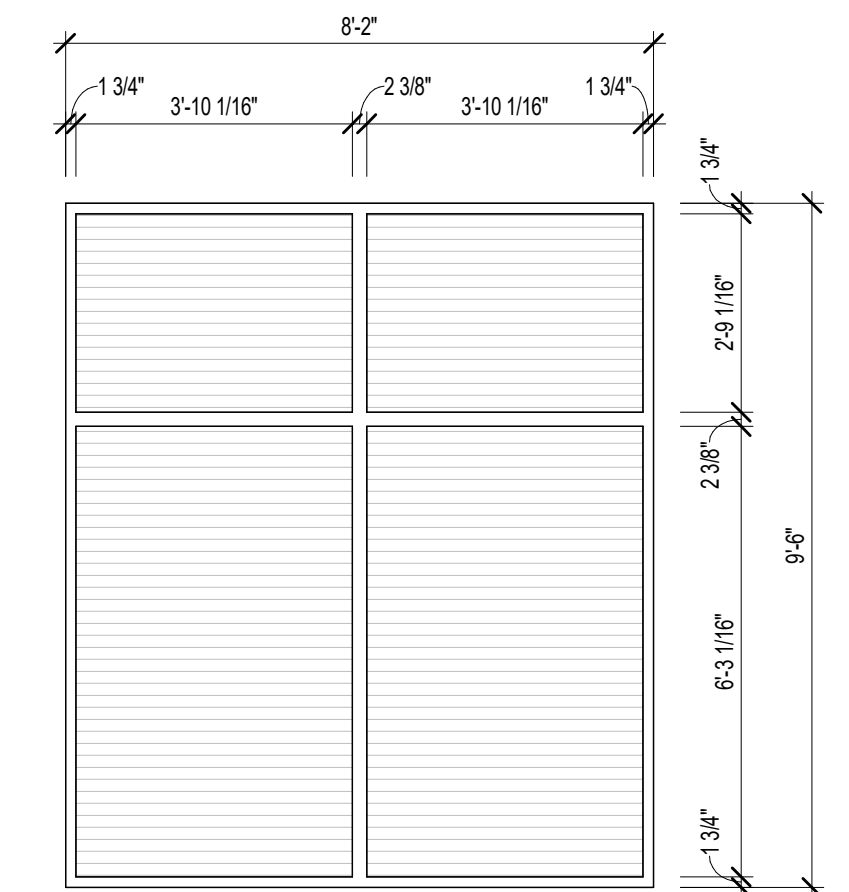
OHG2 OVERHEAD GRILLE TYPE OHG2

OHG1 OVERHEAD GRILLE TYPE OHG1

2 OVERHEAD GRILLE DOOR TYPES
3/8" x 1'-0"



L2.1 LOUVER TYPE L2.1

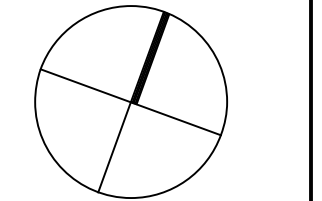


L1.1 LOUVER TYPE L1.1

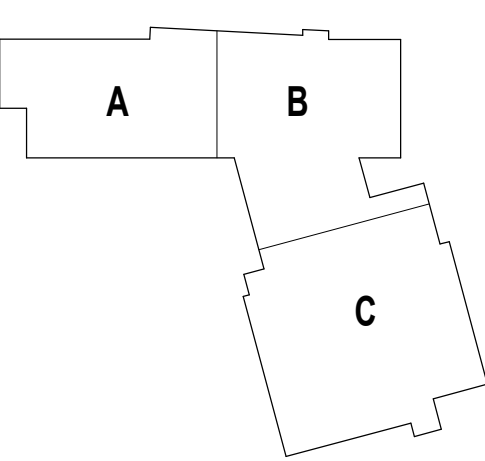
1 LOUVER TYPES
3/8" x 1'-0"

100% CONSTRUCTION DOCUMENTS

KEY PLAN NORTH ARROW



KEYPLAN



DRAWING NAME:

LOUVER SCHEDULE & TYPES OVERHEAD DOOR TYPES

DRAWN BY: MS / BFC / CHR

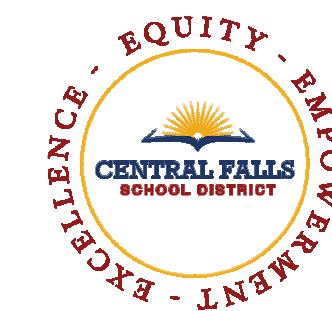
REVIEWED BY: CHR / KK

SCALE: AS INDICATED | DRAWING NUMBER:

JOB NO.: 2202.02

DATE: OCTOBER 13, 2023

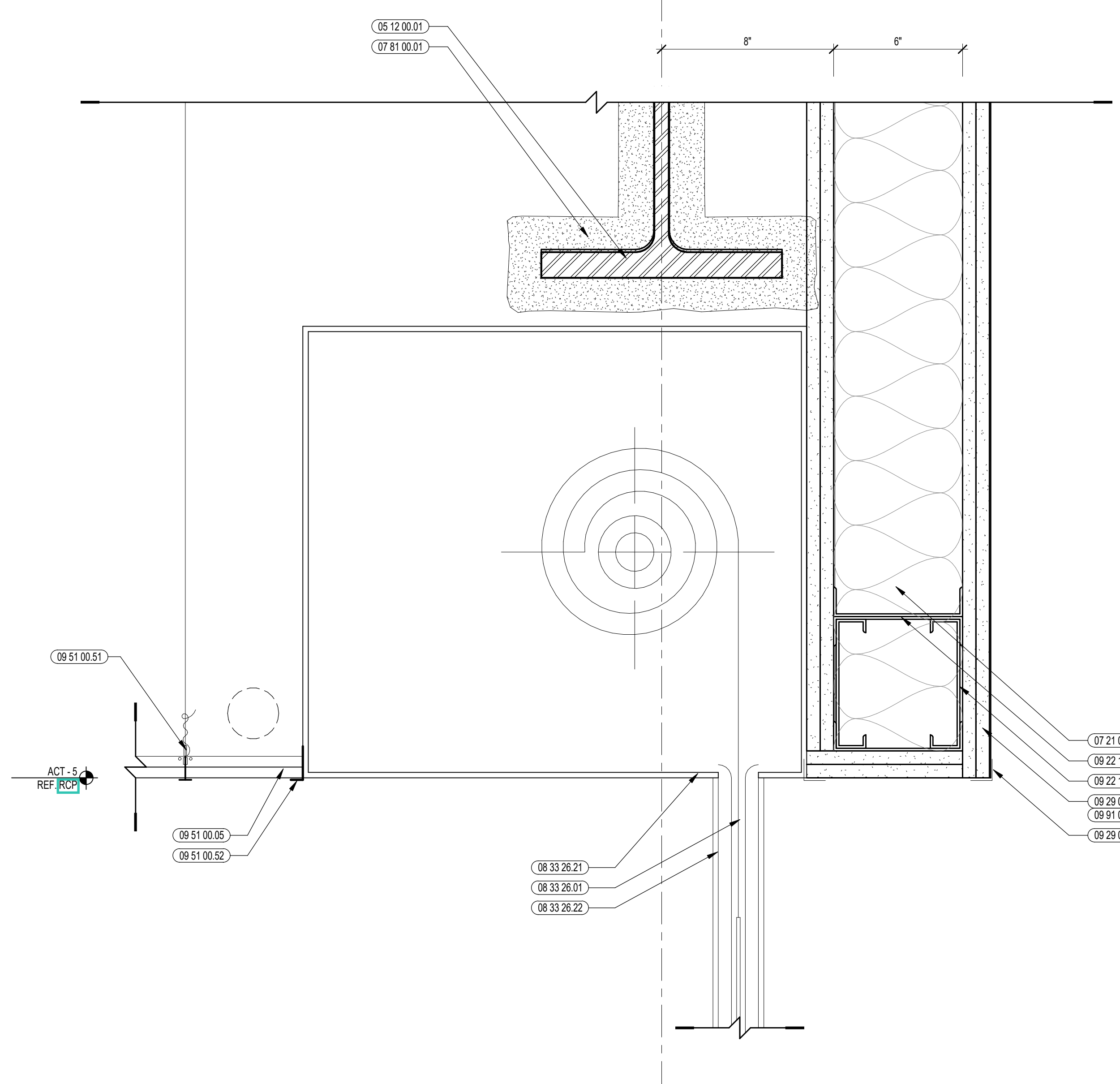
A6.10A



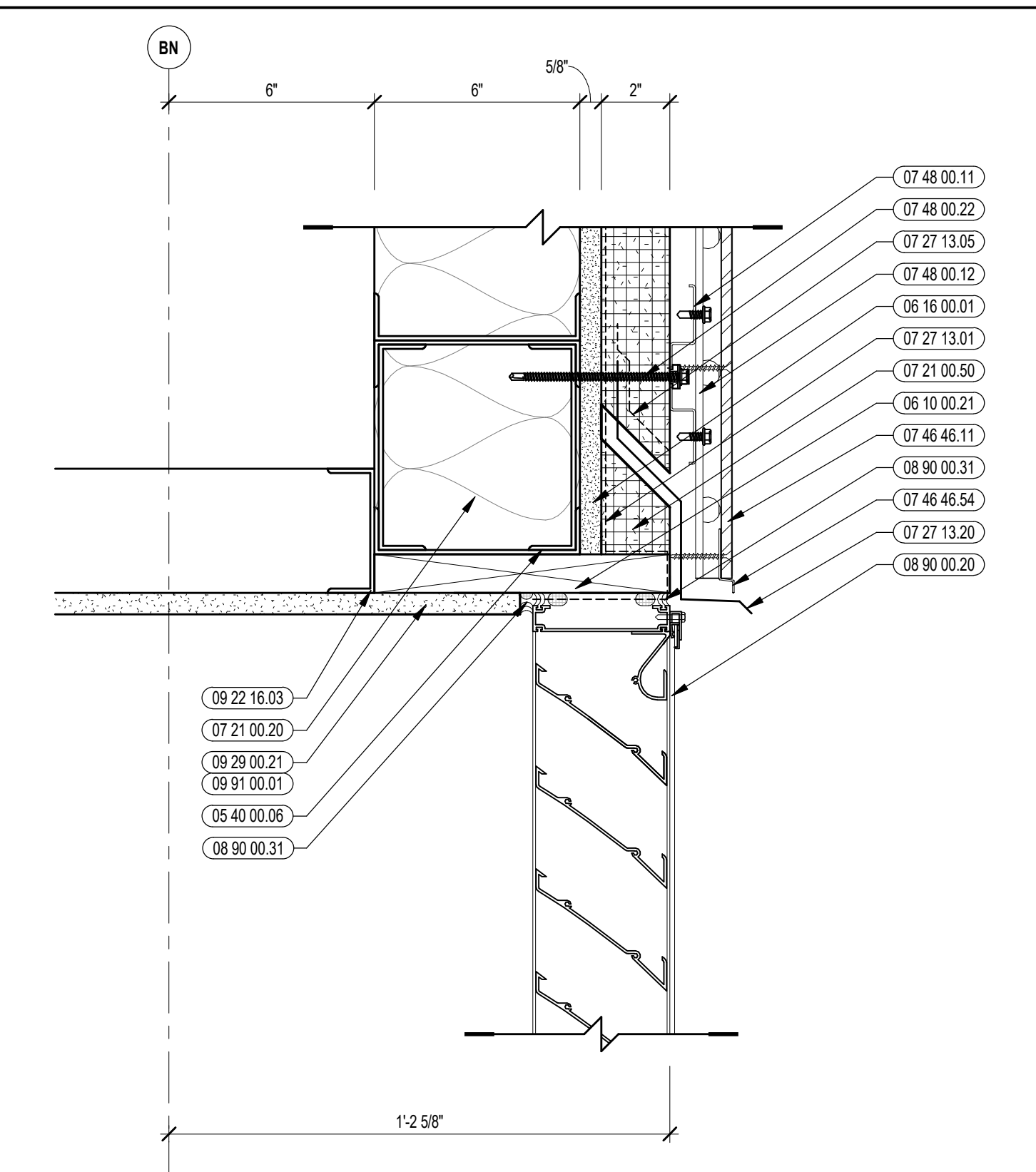
CENTRAL FALLS HIGH SCHOOL
10 HIGGINSON AVE, CENTRAL FALLS, RI

KEYNOTE LEGEND:

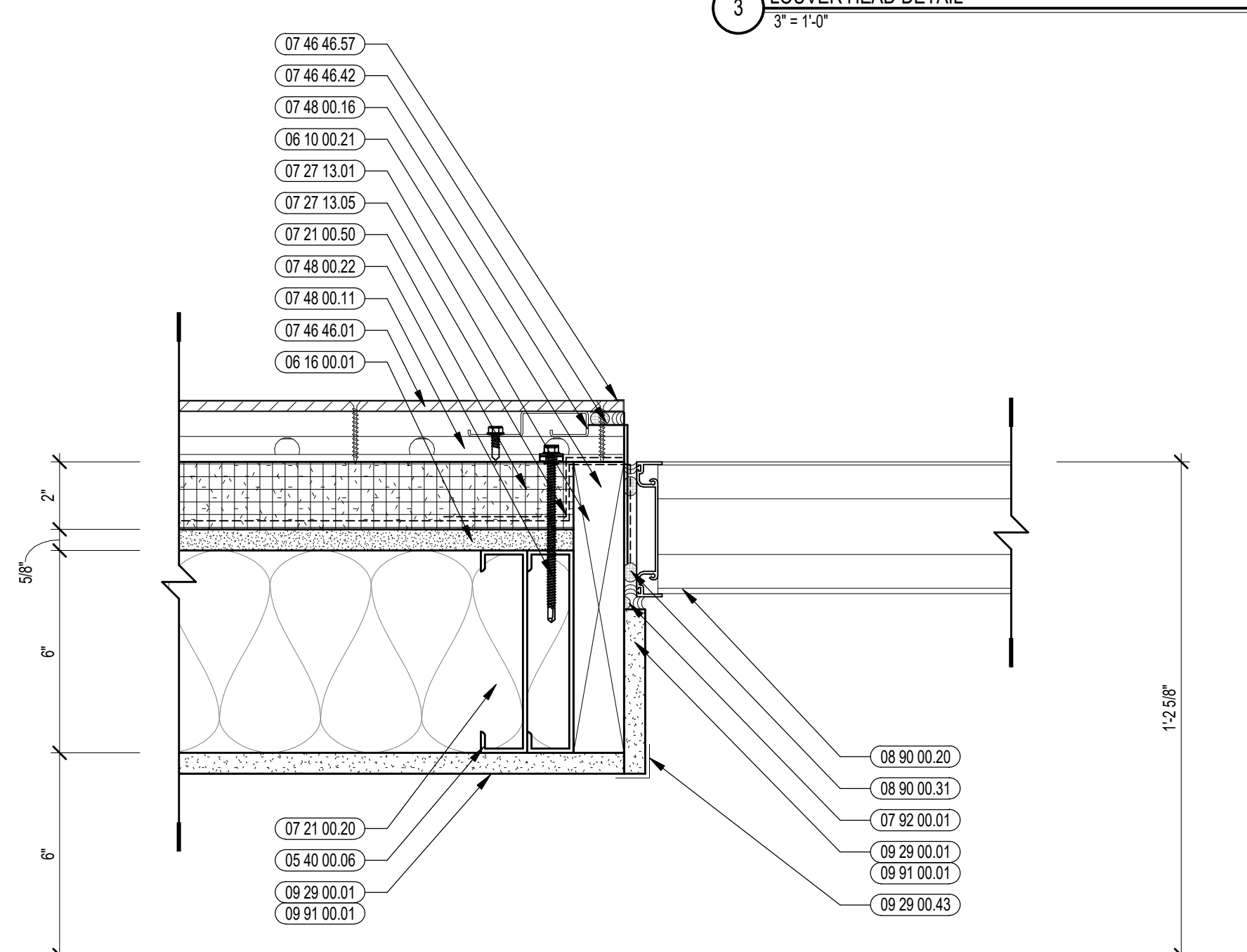
- 05 12 00.01 STEEL BEAM - SEE STRUCTURAL
- 05 40 00.06 STEEL STUDS - 4 INCH - 16 INCHES O.C. MAX
- 06 10 00.21 WOOD BLOCKING - (2X) FIRE RETARDANT TREATED - SIZE AS NOTED OR DRAWN
- 06 16 00.01 GYPSUM EXTERIOR SHEATHING - 5/8 INCH
- 07 21 00.20 GLASS FIBER BLANKET INSULATION - MATCH DEPTH OF STUD - UNFACED
- 07 21 00.22 GLASS FIBER ACUSTICAL BLANKET INSULATION - MATCH DEPTH OF STUD - UNFACED
- 07 21 00.50 MINERAL WOOL INSULATION - RIGID - EXTERIOR - 2 INCH
- 07 27 13.01 AIRVAPOR BARRIER MEMBRANE - SELF-ADHERING
- 07 27 13.05 AIRVAPOR BARRIER TRANSITION MEMBRANE - SELF-ADHERING
- 07 27 13.20 FLASHING - STAINLESS STEEL
- 07 46 46.01 MINERAL FIBER CEMENT PANEL - REFERENCE ELEVATIONS FOR COLOR
- 07 46 46.11 MINERAL FIBER CEMENT PANEL - COLOR 1
- 07 46 46.42 SEALANT - TYPE AS REQUIRED
- 07 46 46.54 HORIZONTAL Z TRIM
- 07 46 46.57 J MOLD TRIM
- 07 48 00.11 HORIZONTAL GRIT - REFER TO SHOP DRAWINGS FOR SIZE
- 07 48 00.12 VERTICAL PANEL RAIL - REFER TO SHOP DRAWINGS FOR SIZE
- 07 48 00.16 VERTICAL TERMINATION GRIT - REFER TO SHOP DRAWINGS FOR SIZE
- 07 48 00.22 STAINLESS STEEL SELF-DRILLING SCREW WITH THERMAL ISOLATION
- 07 81 00.01 CEMENTITIOUS FIREPROOFING
- 07 92 00.01 JOINT SEALANT - TYPE AS REQUIRED
- 08 33 26.01 OVERHEAD COILING GRILLE - KITCHEN
- 08 33 26.21 ELECTRIC MOTOR AND COILING DOOR HOUSING
- 08 33 26.22 VERTICAL CURTAINS
- 08 90 00.20 ALUMINUM LOUVER - SEE ELEVATIONS AND SPECIFICATION
- 08 90 00.31 SEALANT - TYPE AS REQUIRED
- 08 90 00.41 PREFINISHED ALUMINUM FLASHING
- 09 22 16.03 METAL STUD 3-5/8 INCH - 16 INCHES O.C. MAX
- 09 22 16.06 METAL STUD 6 INCH - 16 INCHES O.C. MAX
- 09 22 16.31 BOXED HEADER
- 09 29 00.01 5/8 INCH GYPSUM BOARD - LEVEL 4 FINISH - 1 LAYER
- 09 29 00.04 5/8 INCH GYPSUM BOARD - LEVEL 4 FINISH - 2 LAYERS EACH SIDE
- 09 29 00.21 5/8 INCH GYPSUM BOARD - LEVEL 4 FINISH - SAG-RESISTANT
- 09 29 00.43 CORNER BEAD
- 09 51 00.05 ACT TYPE-5
- 09 51 00.51 ACT SUSPENSION SYSTEM
- 09 51 00.52 EDGE MOLDING SYSTEM
- 09 72 16.01 VINYL WALL CLADDING - REFERENCE ELEVATIONS FOR TYPE
- 09 77 33.01 GLASS FIBER REINFORCED PLASTIC PANEL
- 09 91 00.01 PAINT - SEE SCHEDULE



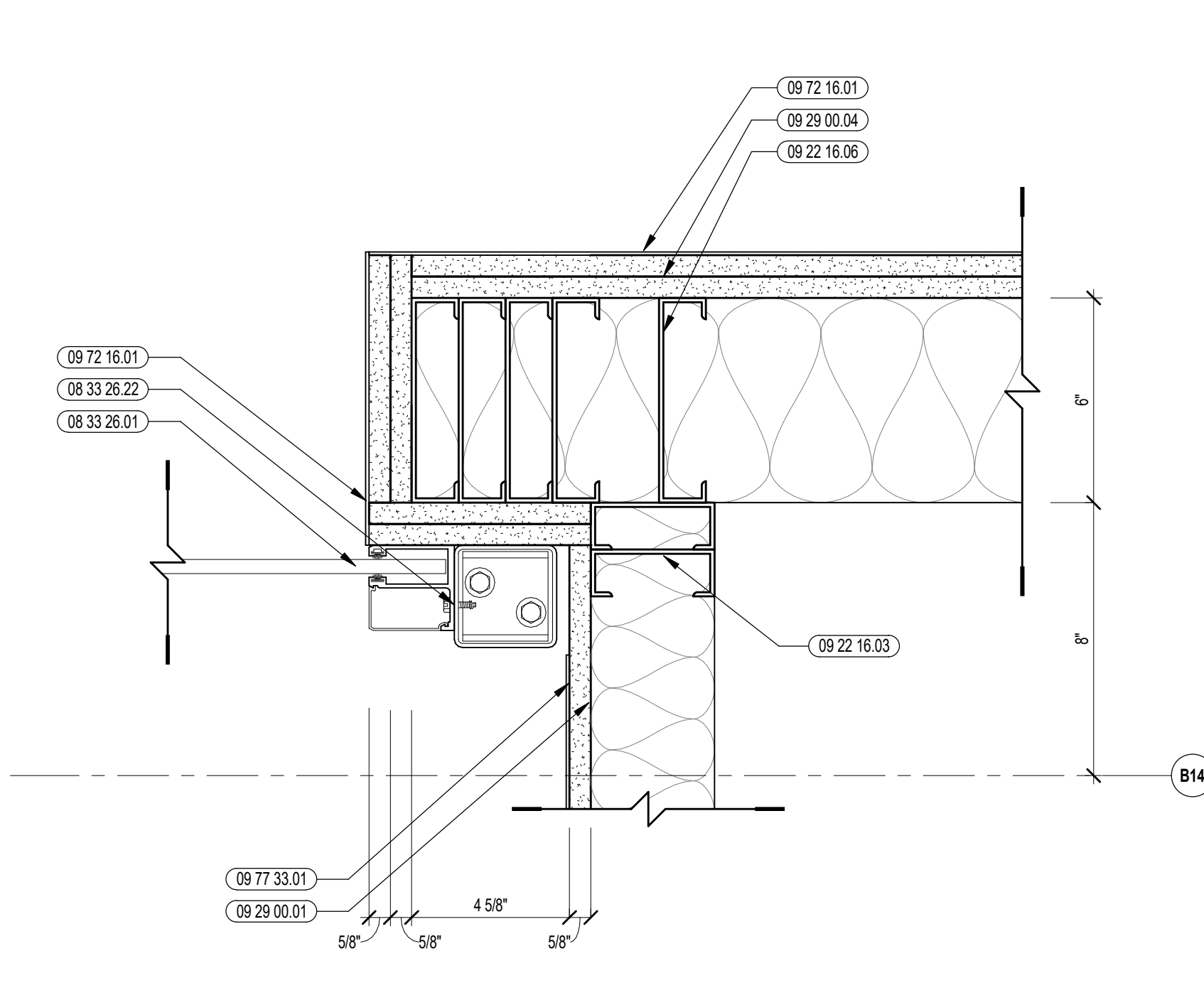
5 OVERHEAD COILING GRILLE HEAD DETAIL
3/8" = 1'-0"



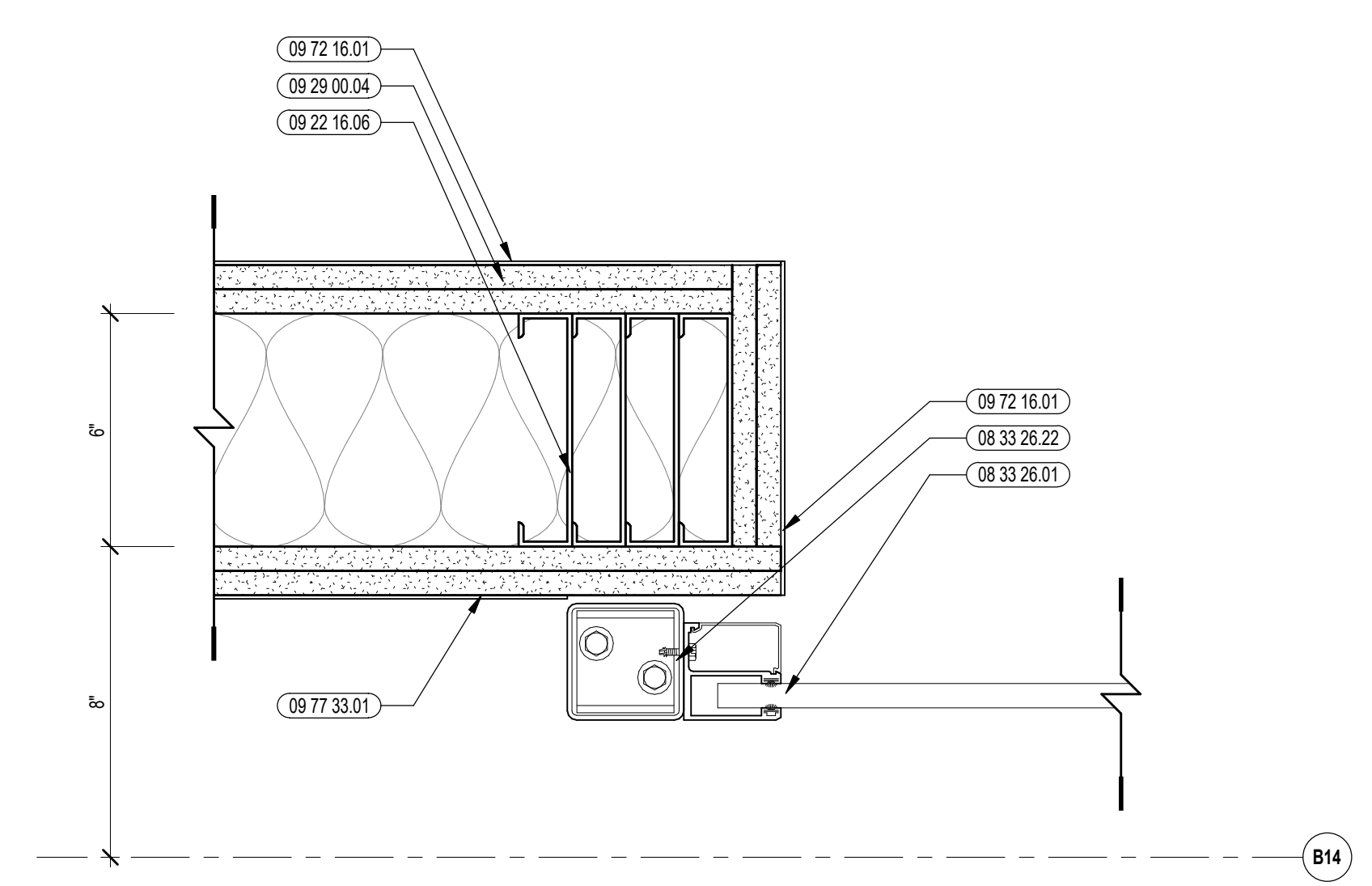
3 LOUVER HEAD DETAIL
3/8" = 1'-0"



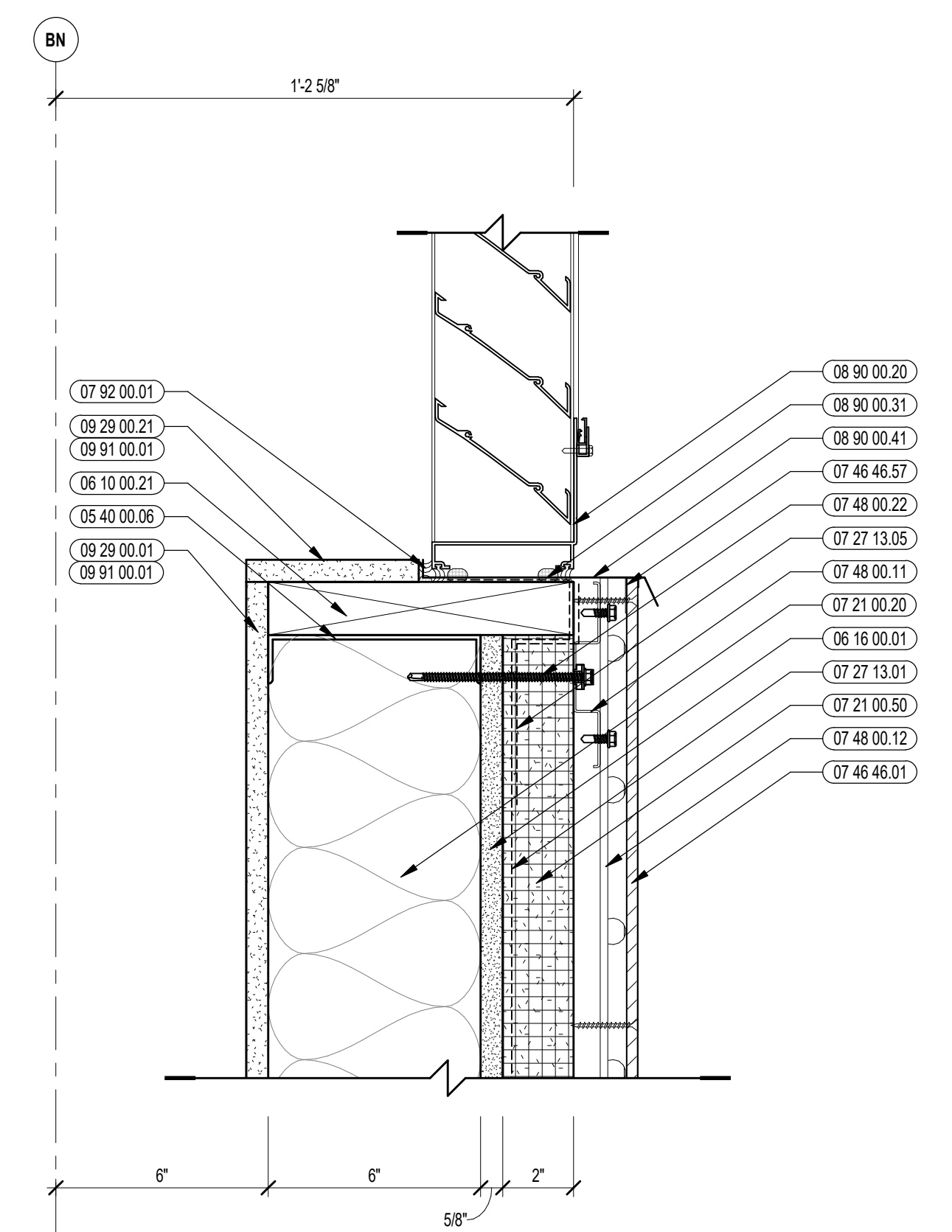
2 LOUVER JAMB DETAIL
3/8" = 1'-0"



6 OVERHEAD COILING GRILLE JAMB DETAIL
3/8" = 1'-0"



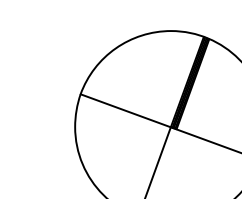
4 OVERHEAD COILING GRILLE JAMB DETAIL
3/8" = 1'-0"



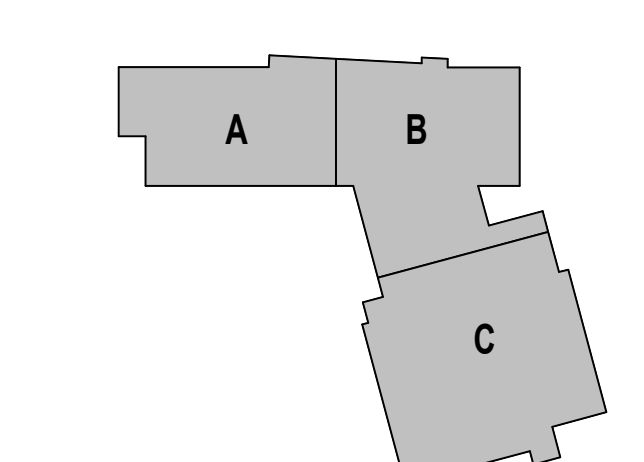
1 LOUVER SILL DETAIL
3/8" = 1'-0"

100% CONSTRUCTION DOCUMENTS

KEY PLAN NORTH ARROW



KEYPLAN



DRAWING NAME:

LOUVER & OVERHEAD DOOR DETAILS

DRAWN BY: BFC

REVIEWED BY: CHR / KK

SCALE: AS INDICATED | DRAWING NUMBER:

JOB NO.: 2202.02

DATE: OCTOBER 13, 2023

A6.11

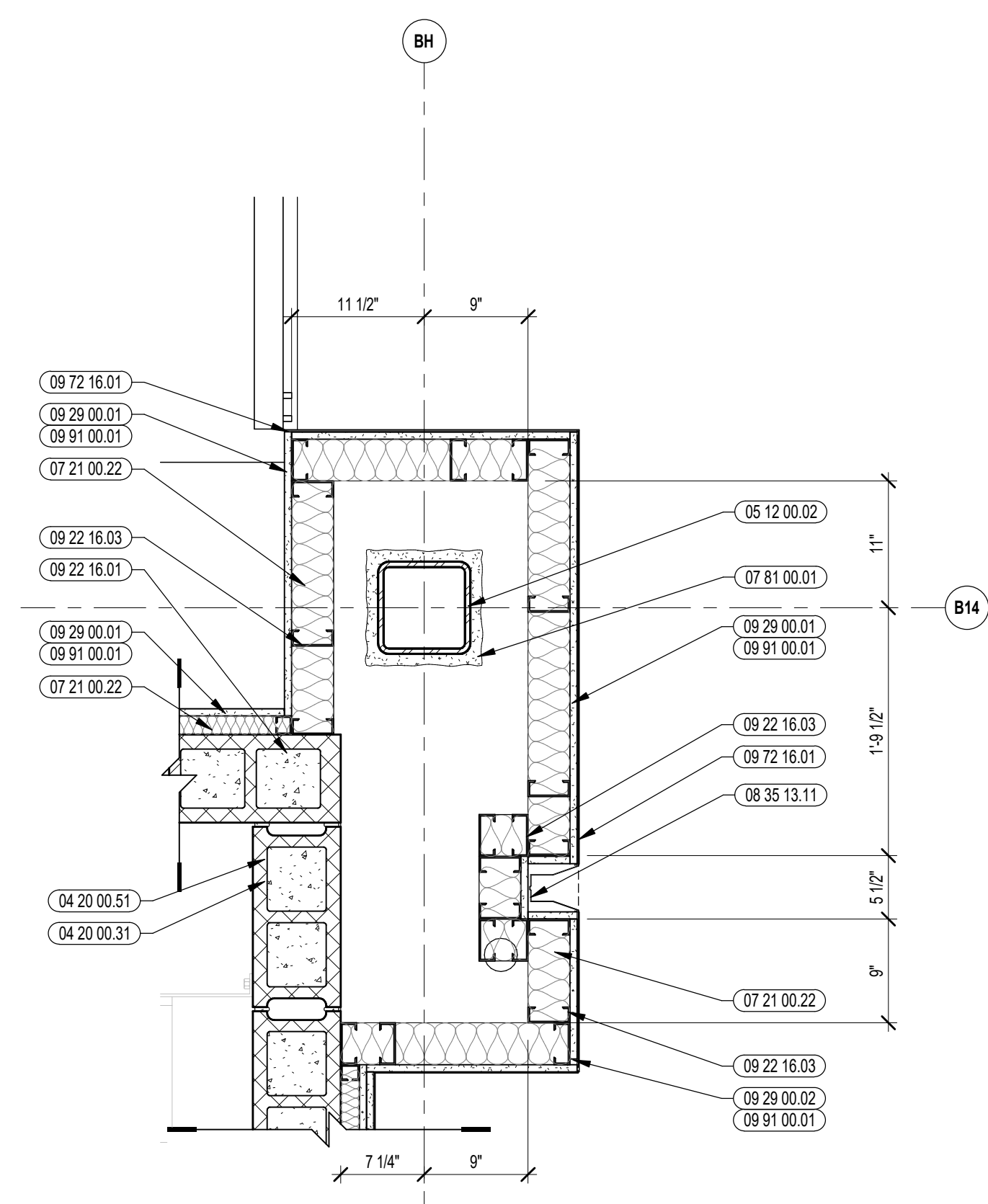


CENTRAL FALLS HIGH SCHOOL
10 HIGGINSON AVE, CENTRAL FALLS, RI

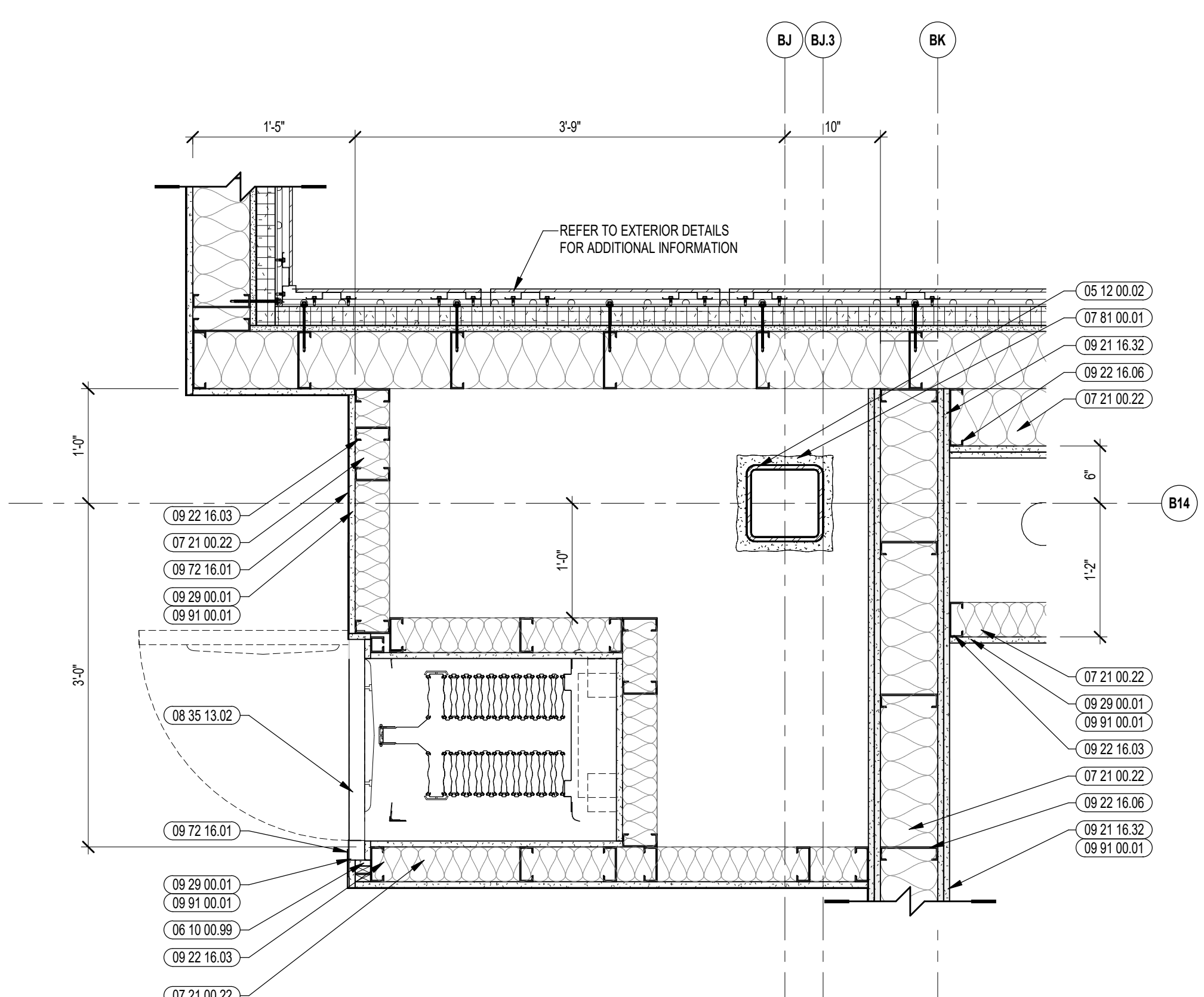
Copyright © 2023, A3 Architects, Inc.

KEYNOTE LEGEND:

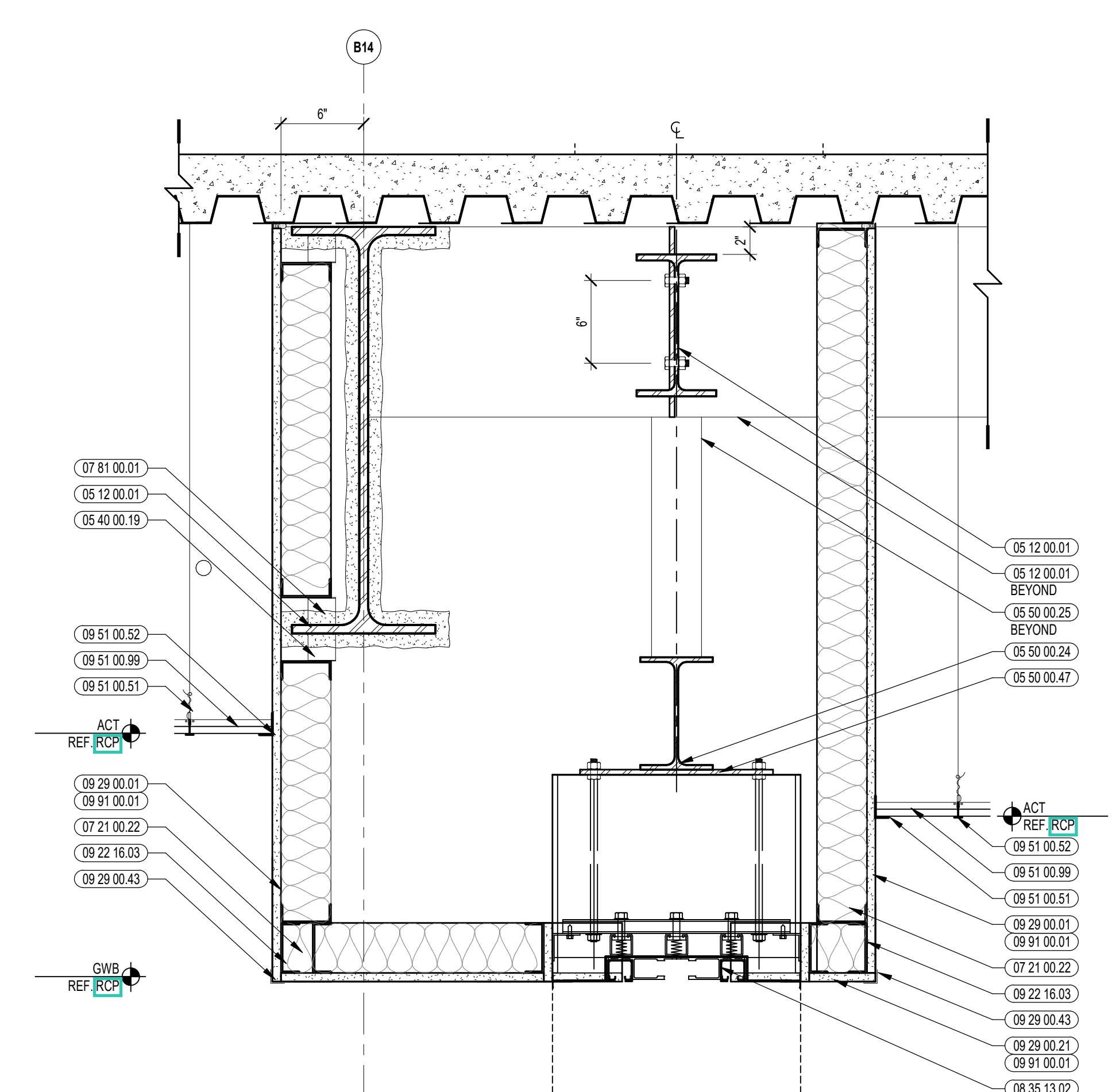
- 04 20 00.31 CMU - STANDARD - NORMAL WEIGHT - REFERENCE DRAWINGS FOR DEPTH SIZE AND FIRE RATING
- 04 20 00.51 GROUT FILL
- 05 12 00.01 STEEL BEAM - SEE STRUCTURAL
- 05 12 00.02 STEEL COLUMN - SEE STRUCTURAL
- 05 40 00.19 STEEL Z-COLP - 16 GAGE MIN - 1 INCH MIN DEPTH - 16 INCHES O.C. MAX
- 05 50 00.24 STEEL BEAM - SIZED AS NEEDED
- 05 50 00.25 STEEL TUBE - SIZED AS NEEDED
- 05 50 00.47 STEEL PLATE - SIZED AS NEEDED
- 06 10 00.99 WOOD BLOCKING - SIZE AS NOTED OR DRAWN
- 07 21 00.22 GLASS FIBER ACOUSTICAL BLANKET INSULATION - MATCH DEPTH OF STUD - UNFACED
- 07 81 00.01 CEMENTITIOUS FIREPROOFING
- 08 35 13.02 ACCORDION FOLDING DOOR - FIRE
- 08 35 13.11 ACCORDION FOLDING DOOR - STRIKER JAMB
- 09 21 16.32 GYPSUM BOARD - 5/8 INCH TYPE X - 2 LAYERS
- 09 22 16.01 METAL STUD 1-5/8 INCH - 16 INCHES O.C. MAX
- 09 22 16.03 METAL STUD 3-5/8 INCH - 16 INCHES O.C. MAX
- 09 22 16.06 METAL STUD 8 INCH - 16 INCHES O.C. MAX
- 09 29 00.01 5/8 INCH GYPSUM BOARD - LEVEL 4 FINISH - 1 LAYER
- 09 29 00.02 5/8 INCH GYPSUM BOARD - LEVEL 4 FINISH - 2 LAYERS
- 09 29 00.05 5/8 INCH GYPSUM BOARD - LEVEL 5 FINISH - 1 LAYER
- 09 29 00.21 5/8 INCH GYPSUM BOARD - LEVEL 4 FINISH - SAG RESISTANT
- 09 29 00.43 CORNER BEAD
- 09 51 00.01 ACT SUSPENSION SYSTEM
- 09 51 00.52 EDGE MOLDING SYSTEM
- 09 51 00.99 ACOUSTICAL CEILING - REFERENCE REFLECTED CEILING PLANS FOR TYPE AND HEIGHT
- 09 72 16.01 VINYL WALL CLADDING - REFERENCE ELEVATIONS FOR TYPE
- 09 91 00.01 PAINT - SEE SCHEDULE
- 10 14 00.02 INTERIOR SIGNAGE - VINYL WALL GRAPHIC



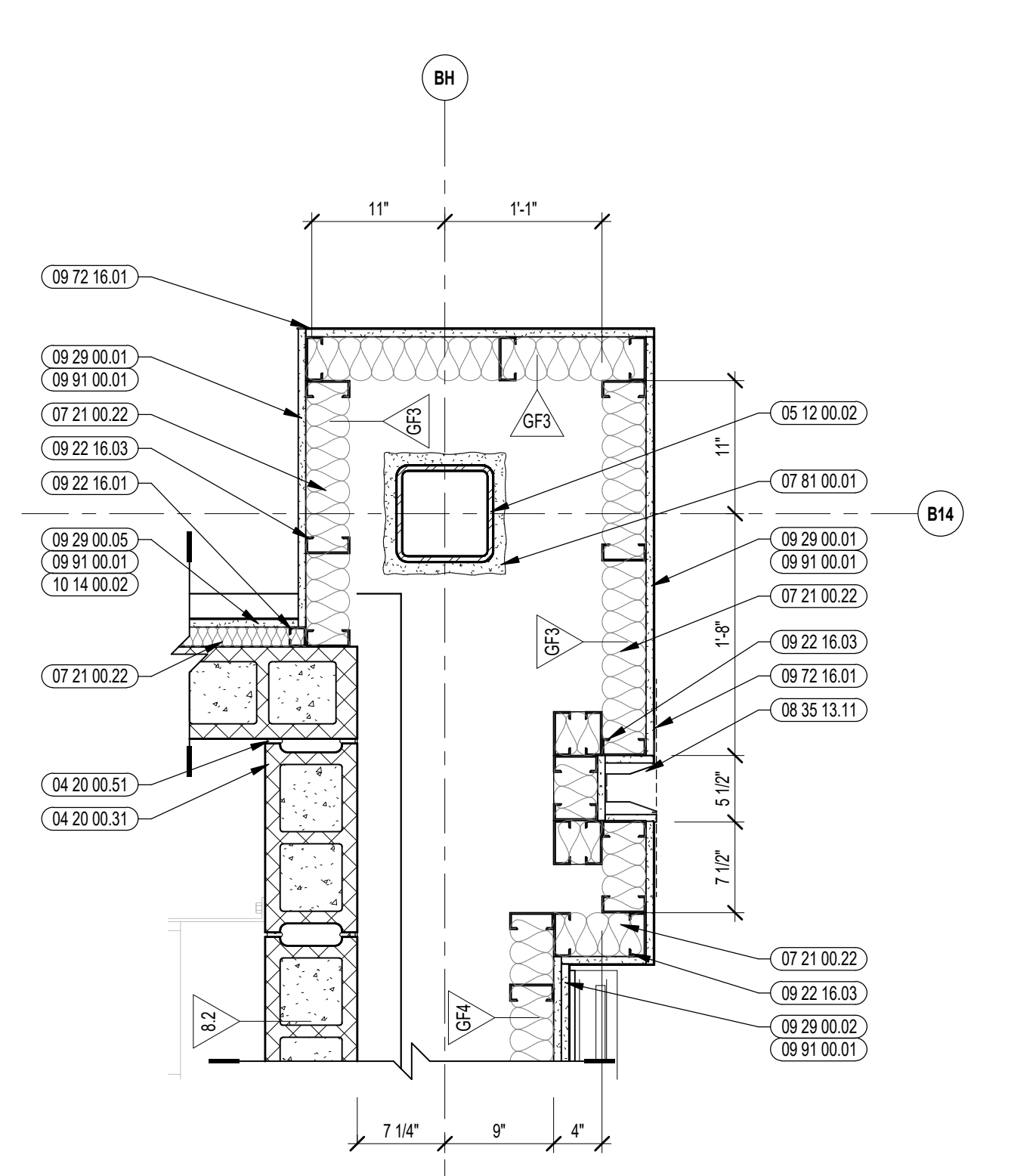
5 ACCORDIAN DOOR JAMB DETAIL
1" = 1'-0"



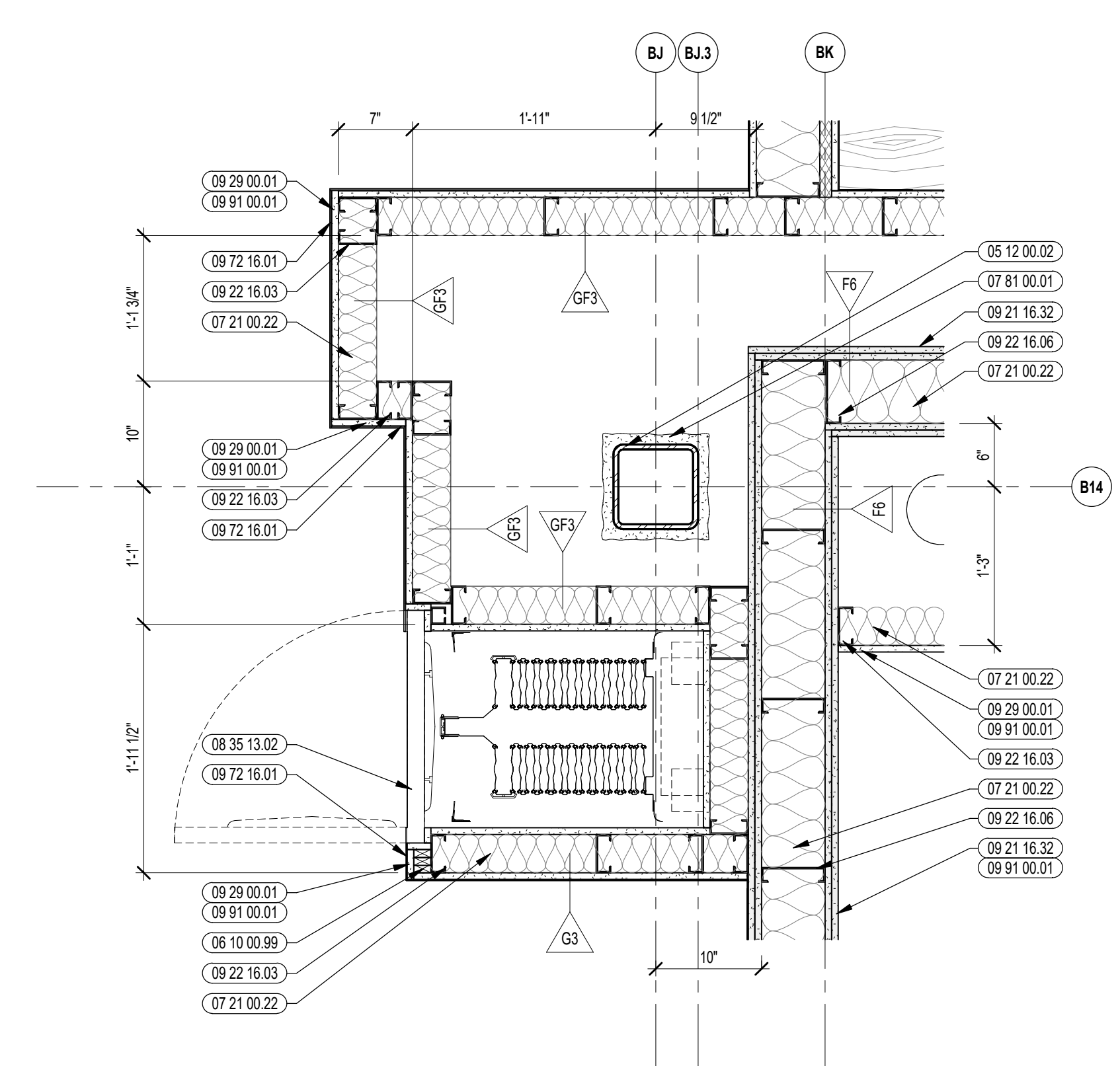
4 ACCORDIAN DOOR JAMB DETAIL
1" = 1'-0"



3 ACCORDIAN DOOR HEAD DETAIL
1" = 1'-0"



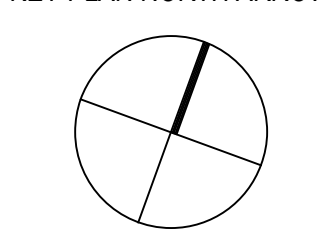
2 ACCORDIAN DOOR JAMB DETAIL
1" = 1'-0"



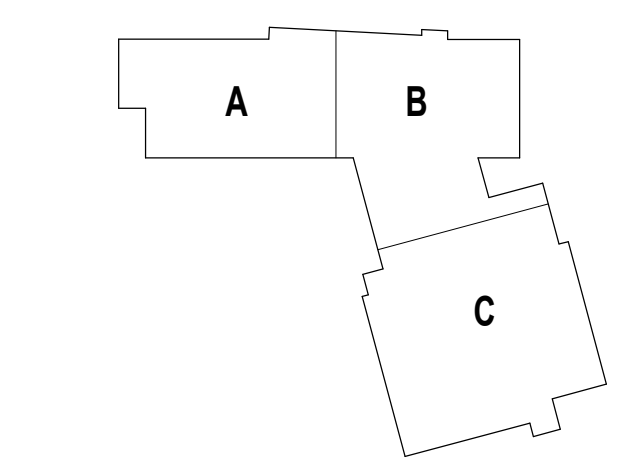
1 ACCORDIAN DOOR JAMB DETAIL
1" = 1'-0"

100% CONSTRUCTION DOCUMENTS

KEY PLAN NORTH ARROW



KEYPLAN



DRAWING NAME:

ACCORDIAN FOLDING DOOR DETAILS

DRAWN BY: BFC

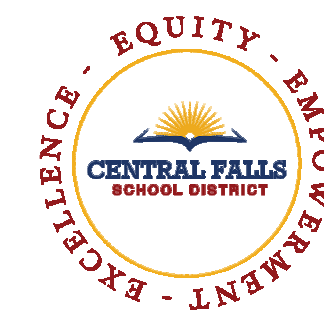
REVIEWED BY: CHR / KK

SCALE: AS INDICATED | DRAWING NUMBER:

JOB NO.: 2202.02

DATE: OCTOBER 13, 2023

A6.12

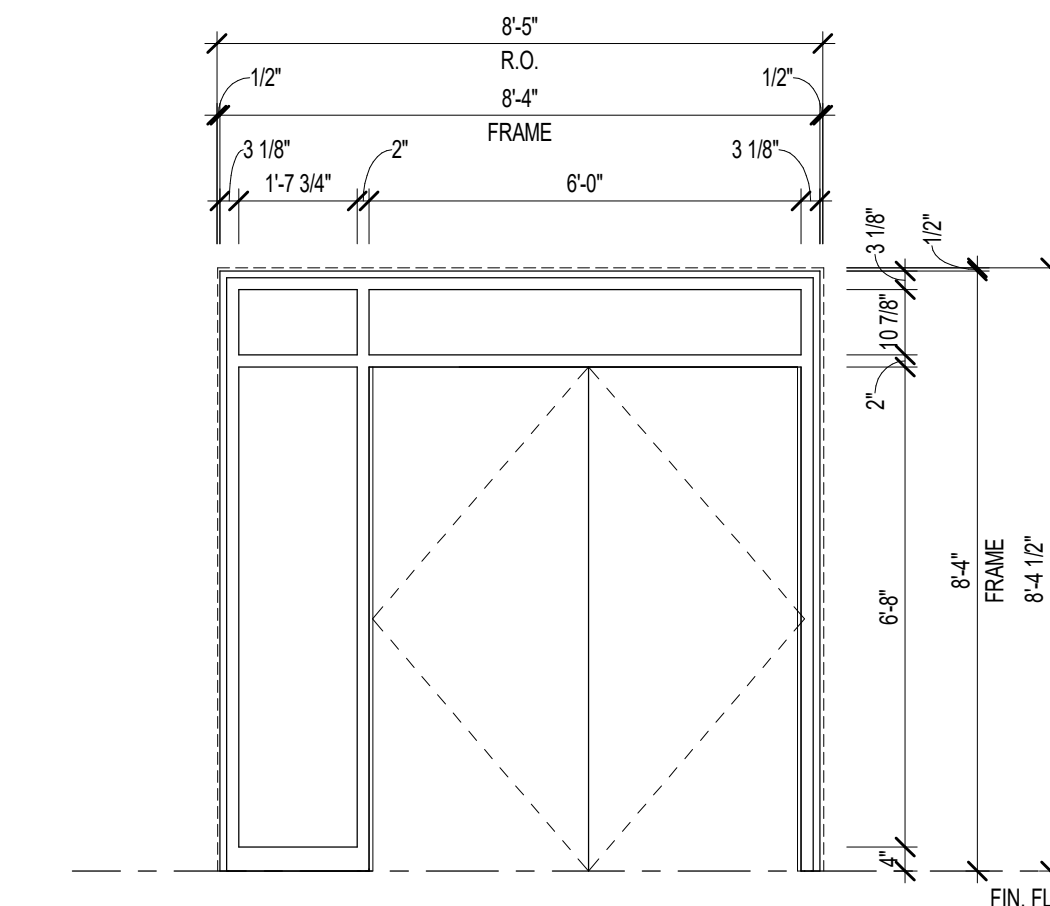


CENTRAL FALLS HIGH SCHOOL
10 HIGGINSON AVE, CENTRAL FALLS, RI

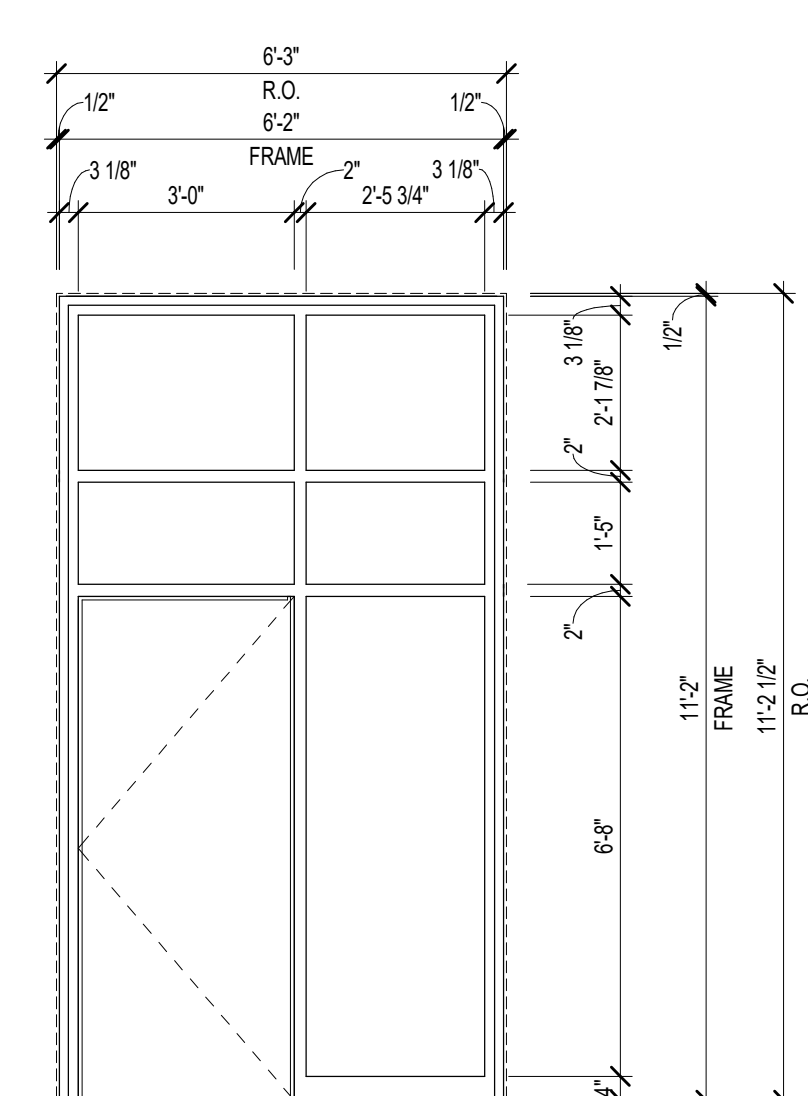
KEYNOTE LEGEND:

08 43 13.30 SPANDREL GLASS

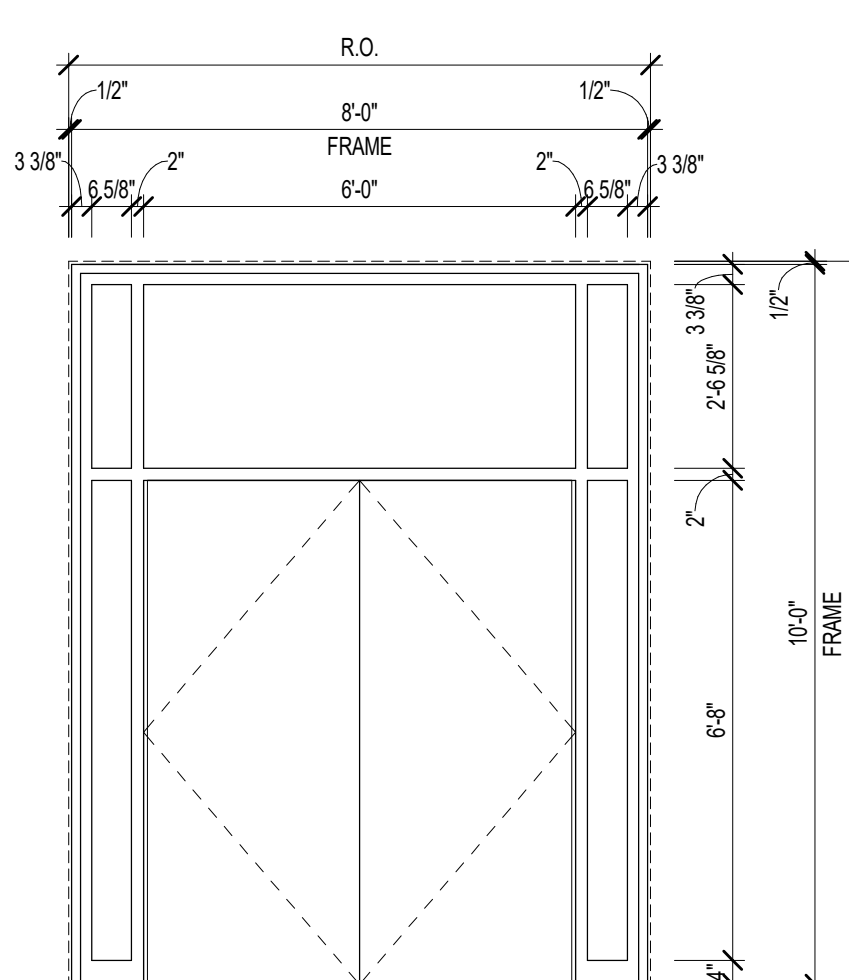
Copyright © 2023, Ai3 Architects, Inc.



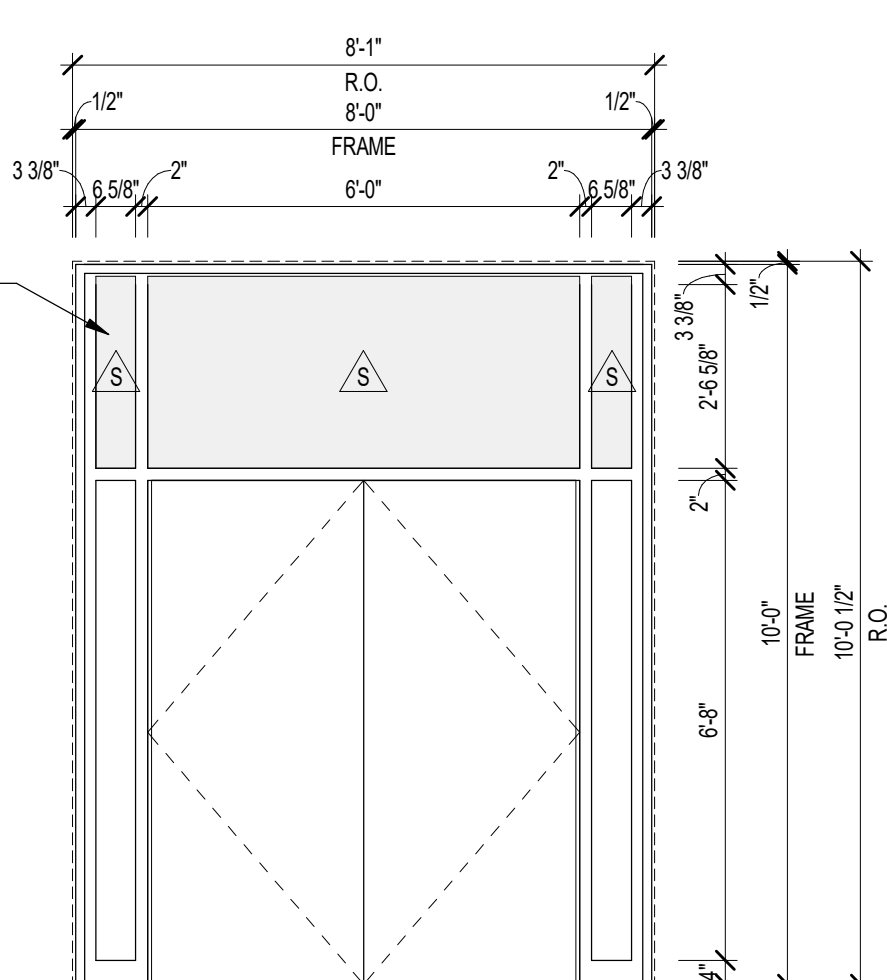
SF5.1 STOREFRONT FRAME TYPE SF5.1



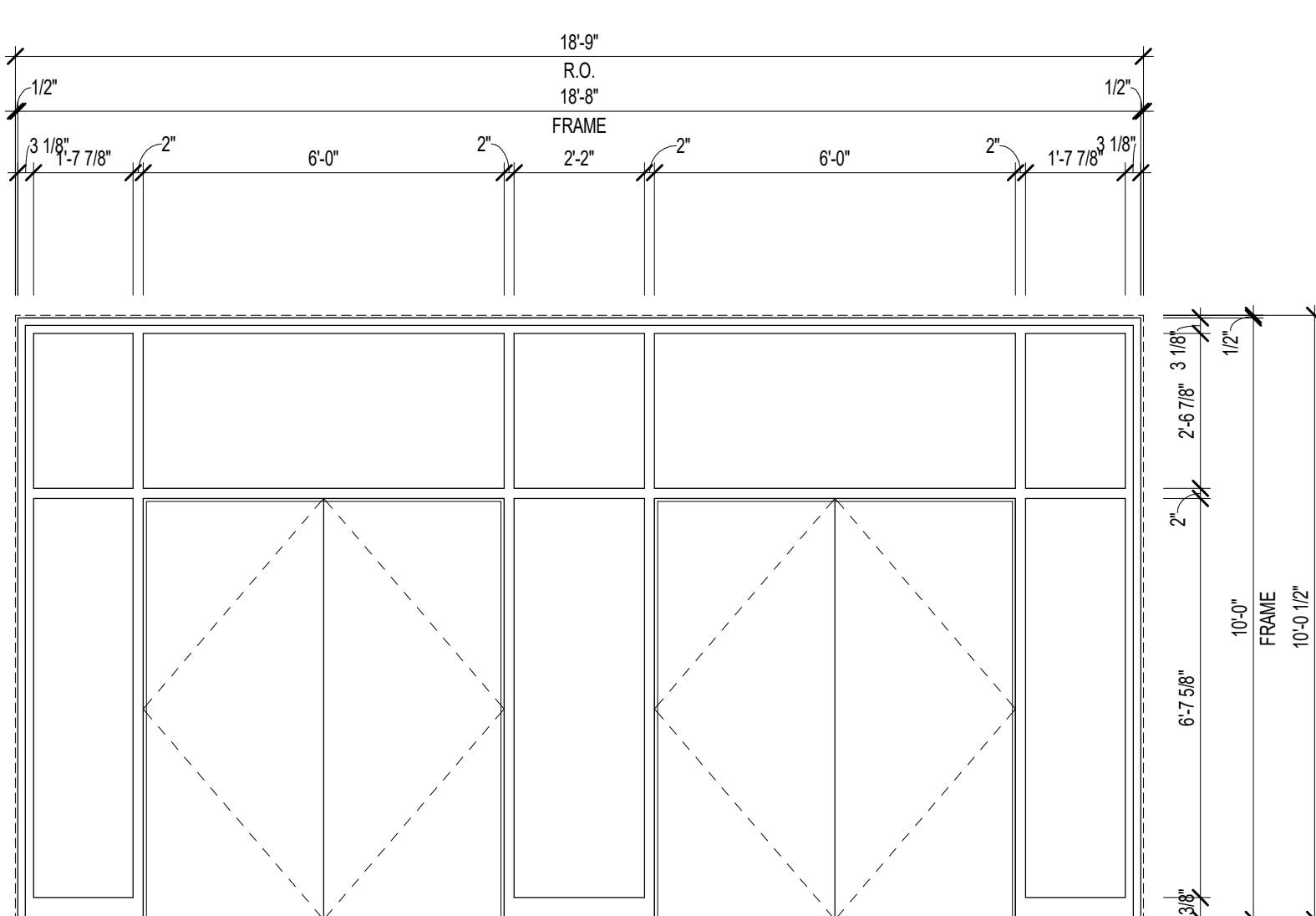
SF4.1 STOREFRONT FRAME TYPE SF4.1



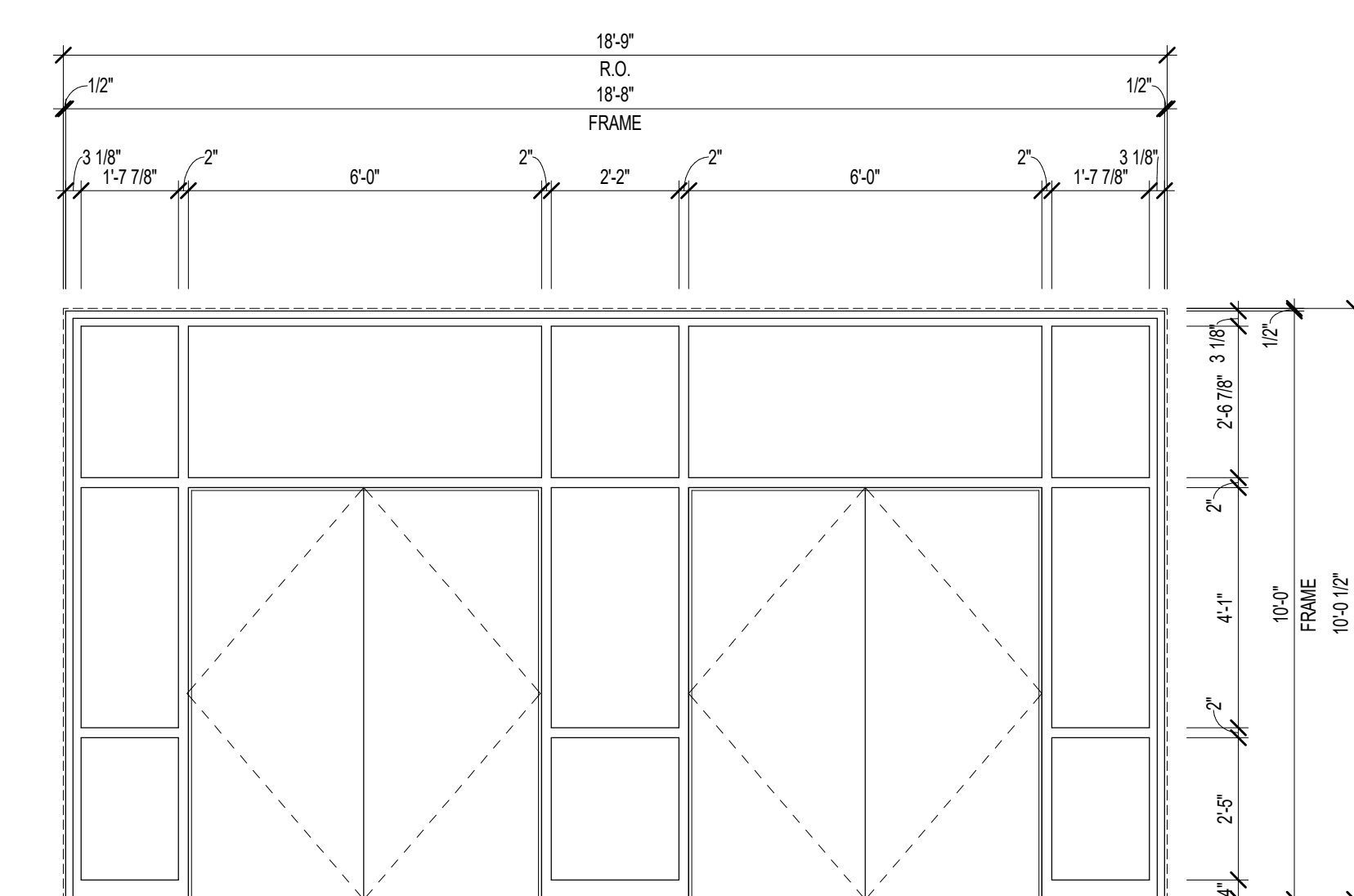
SF3.2 STOREFRONT FRAME TYPE SF3.2



SF3.1 STOREFRONT FRAME TYPE SF3.1



SF2.1 STOREFRONT FRAME TYPE SF2.1

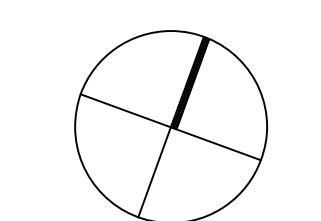


SF1.1 STOREFRONT FRAME TYPE SF1.1

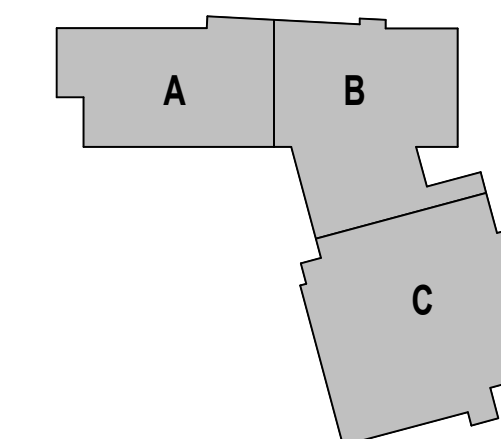
1 EXTERIOR STOREFRONT TYPES - ENTRIES
3/8" = 1'-0"

100% CONSTRUCTION DOCUMENTS

KEY PLAN NORTH ARROW



KEYPLAN



DRAWING NAME:

EXTERIOR STOREFRONT TYPES

DRAWN BY: MS / BFC

REVIEWED BY: CHR / KK

SCALE: AS INDICATED | DRAWING NUMBER:

JOB NO.: 2202.02

DATE: OCTOBER 13, 2023

A6.20A



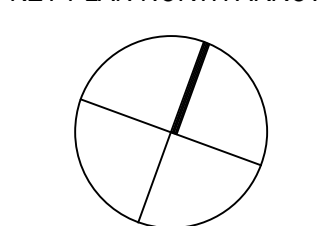
CENTRAL FALLS HIGH SCHOOL
10 HIGGINSON AVE, CENTRAL FALLS, RI

KEYNOTE LEGEND:

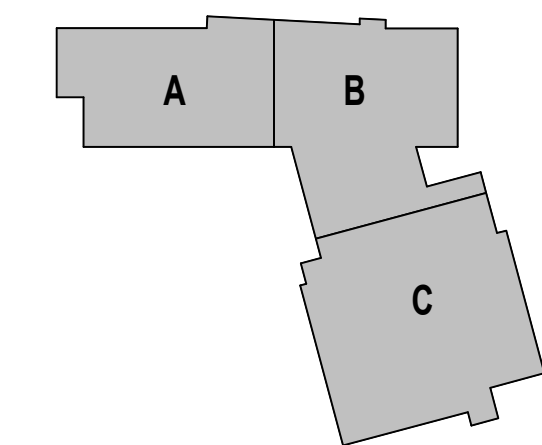
08 43 13.30 SPANDEL GLASS

100% CONSTRUCTION DOCUMENTS

KEY PLAN NORTH ARROW



KEYPLAN



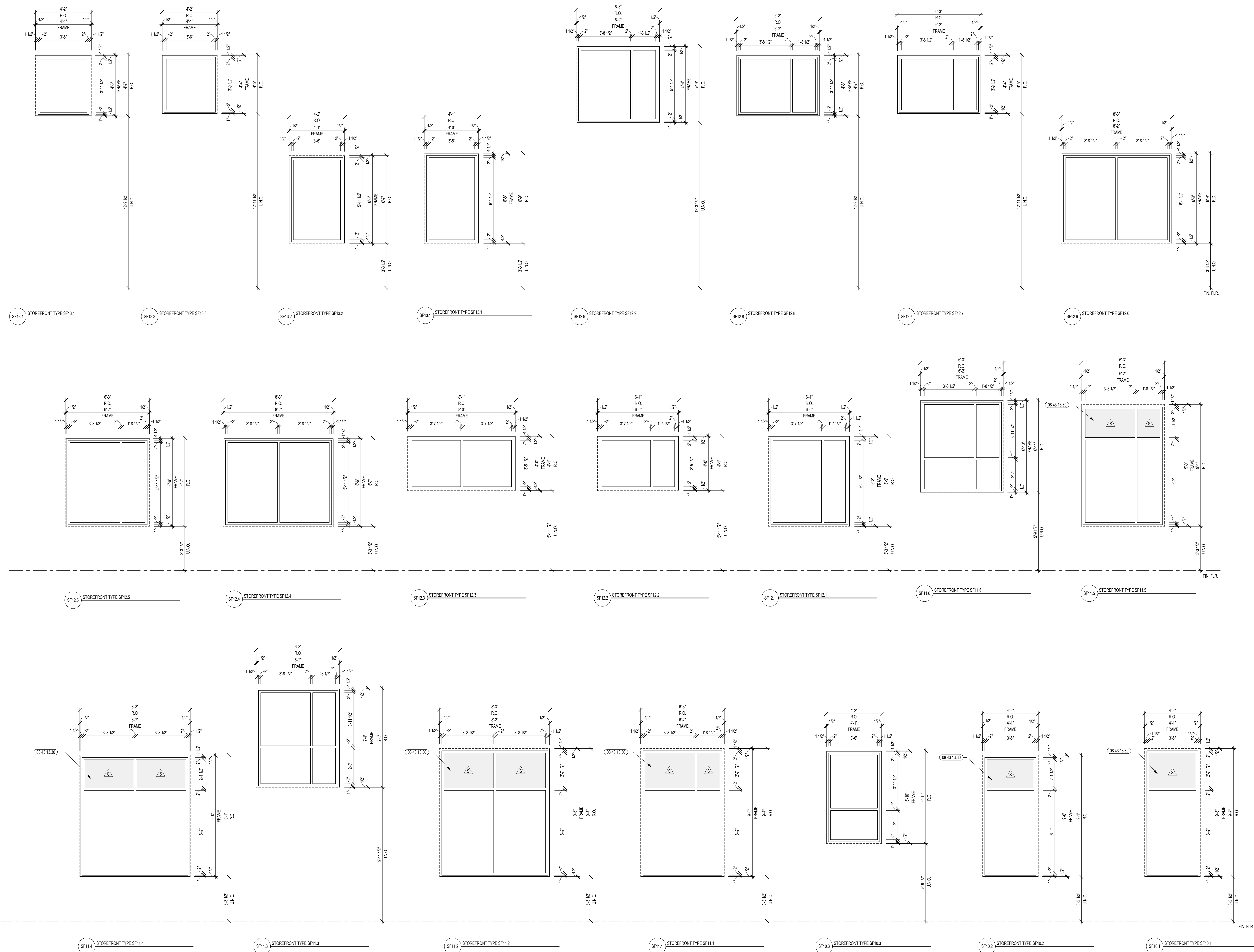
DRAWING NAME:

EXTERIOR STOREFRONT TYPES

DRAWN BY: BFC

REVIEWED BY: CHR / KK

SCALE: AS INDICATED | DRAWING NUMBER:
JOB NO.: 2202.02 | A6.20B
DATE: OCTOBER 13, 2023



1 EXTERIOR STOREFRONT TYPES
3/8" = 1'-0"

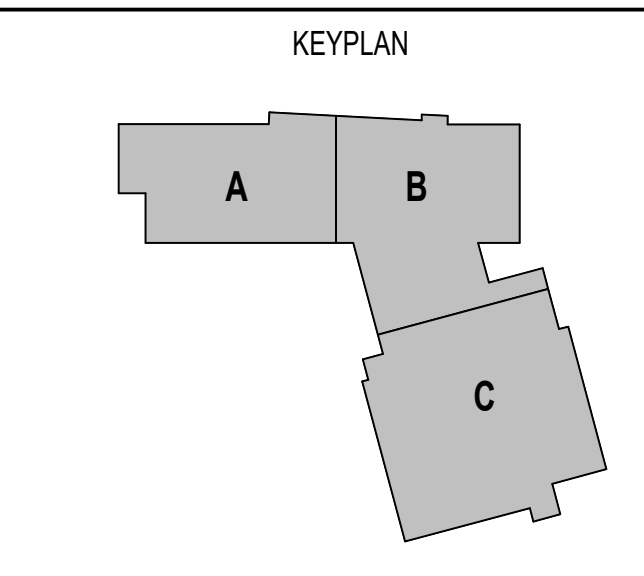
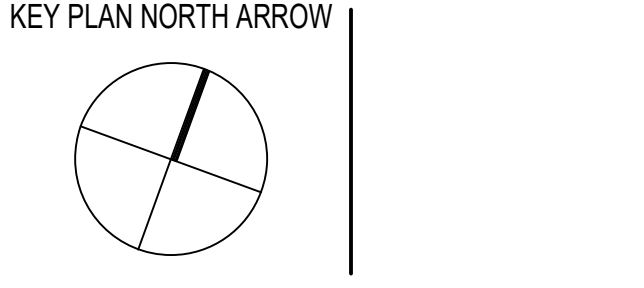


CENTRAL FALLS HIGH SCHOOL
10 HIGGINSON AVE, CENTRAL FALLS, RI

Copyright © 2023, A3 Architects, Inc.

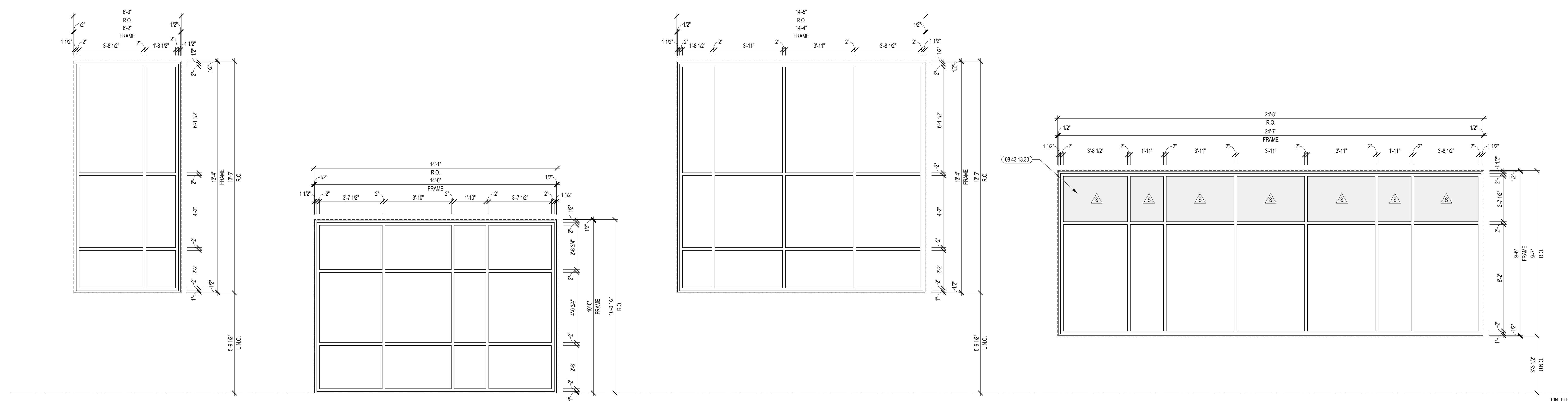
KEYNOTE LEGEND:
08 43 13.30 SPANDREL GLASS

100% CONSTRUCTION DOCUMENTS

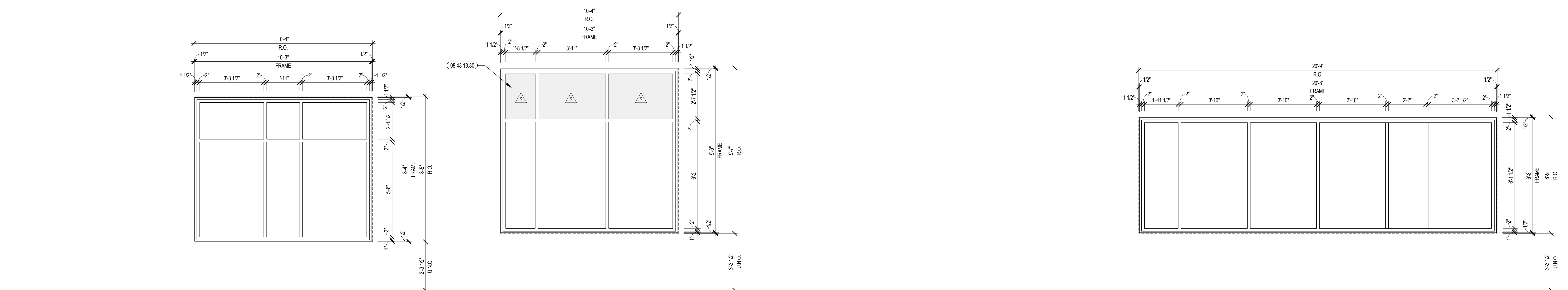


DRAWING NAME:
EXTERIOR STOREFRONT TYPES

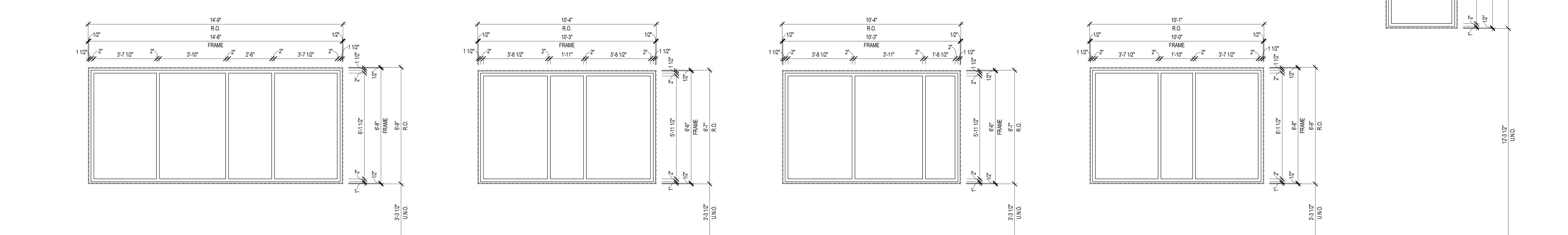
DRAWN BY: BFC
REVIEWED BY: CHR / KK
SCALE: AS INDICATED | DRAWING NUMBER:
JOB NO.: 2202.02
DATE: OCTOBER 13, 2023 **A6.20C**



SF20.1 STOREFRONT TYPE SF20.1 SF19.2 STOREFRONT TYPE SF19.2 SF19.1 STOREFRONT TYPE SF19.1 SF18.1 STOREFRONT TYPE SF18.1

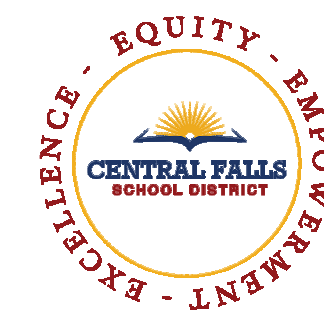


SF17.3 STOREFRONT TYPE SF17.3 SF17.2 STOREFRONT TYPE SF17.2 SF17.1 NOT USED SF16.1 STOREFRONT TYPE SF16.1



SF15.1 STOREFRONT TYPE SF15.1 SF14.3 STOREFRONT TYPE SF14.3 SF14.2 STOREFRONT TYPE SF14.2 SF14.1 STOREFRONT TYPE SF14.1 SF13.5 STOREFRONT TYPE SF13.5

1 EXTERIOR STOREFRONT TYPES
3/8" = 1'-0"



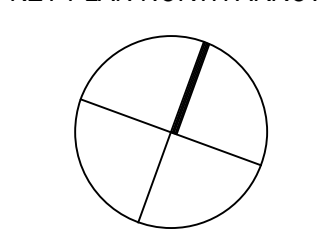
CENTRAL FALLS HIGH SCHOOL
10 HIGGINSON AVE, CENTRAL FALLS, RI

KEYNOTE LEGEND:

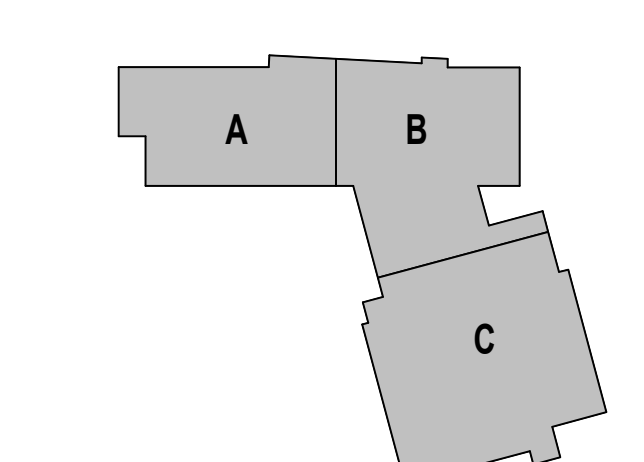
08.43.13.30 SPANDREL GLASS

100% CONSTRUCTION DOCUMENTS

KEY PLAN NORTH ARROW



KEYPLAN



DRAWING NAME:

EXTERIOR STOREFRONT TYPES

DRAWN BY: BFC

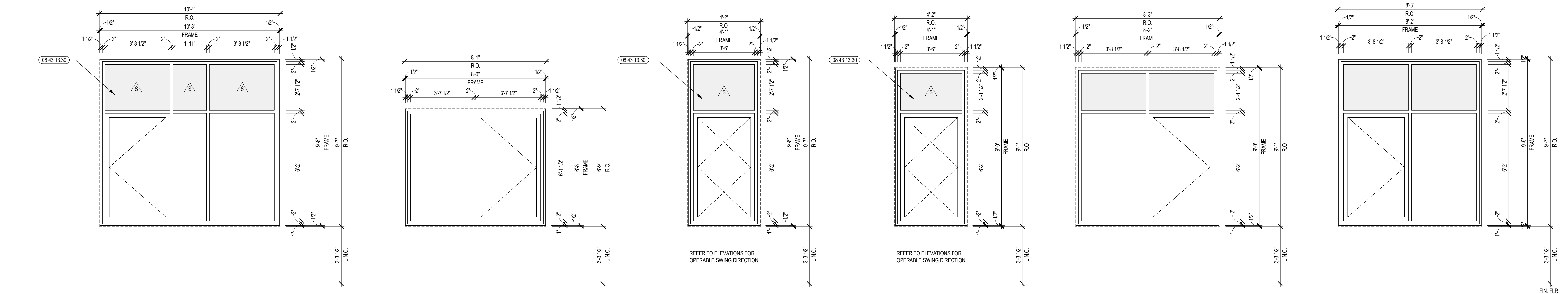
REVIEWED BY: CHR / KK

SCALE: AS INDICATED | DRAWING NUMBER:

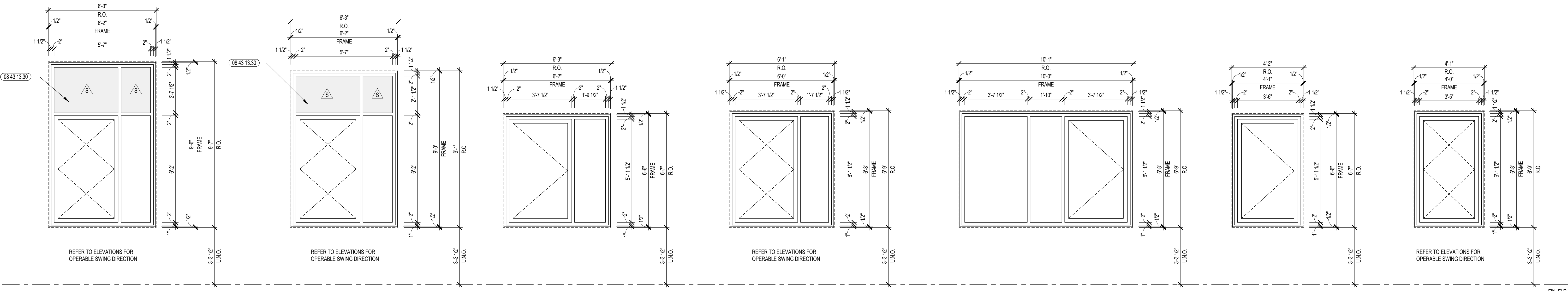
JOB NO.: 2202.02

DATE: OCTOBER 13, 2023

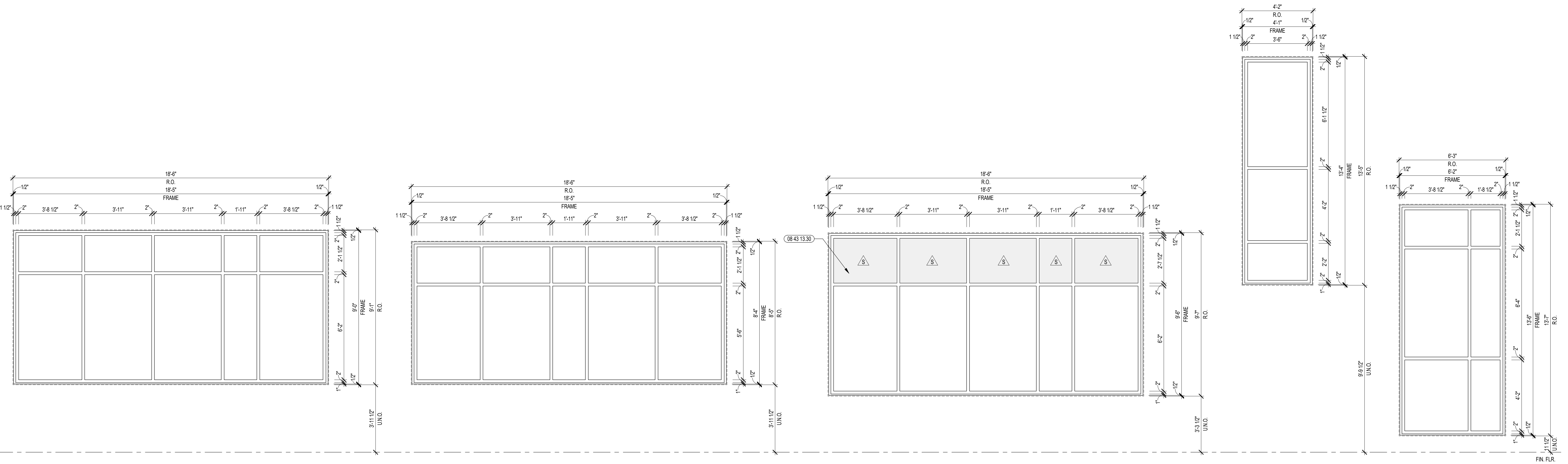
A6.20D



SF29.1 STOREFRONT TYPE SF29.1 SF28.1 STOREFRONT TYPE SF28.1 SF27.2 STOREFRONT TYPE SF27.2 SF27.1 STOREFRONT TYPE SF27.1 SF28.4 STOREFRONT TYPE SF28.4 SF28.3 STOREFRONT TYPE SF28.3



SF28.2 STOREFRONT TYPE SF28.2 SF28.1 STOREFRONT TYPE SF28.1 SF28.2 STOREFRONT TYPE SF28.2 SF28.1 STOREFRONT TYPE SF28.1 SF24.1 STOREFRONT TYPE SF24.1 SF23.2 STOREFRONT TYPE SF23.2 SF23.1 STOREFRONT TYPE SF23.1



SF22.3 STOREFRONT TYPE SF22.3 SF22.2 STOREFRONT TYPE SF22.2 SF22.1 STOREFRONT TYPE SF22.1 SF21.1 STOREFRONT TYPE SF21.1 SF20.2 STOREFRONT TYPE SF20.2



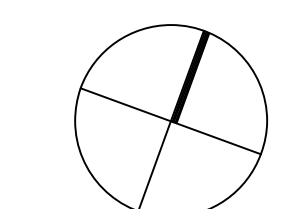
CENTRAL FALLS HIGH SCHOOL
10 HIGGINSON AVE, CENTRAL FALLS, RI

KEYNOTE LEGEND:

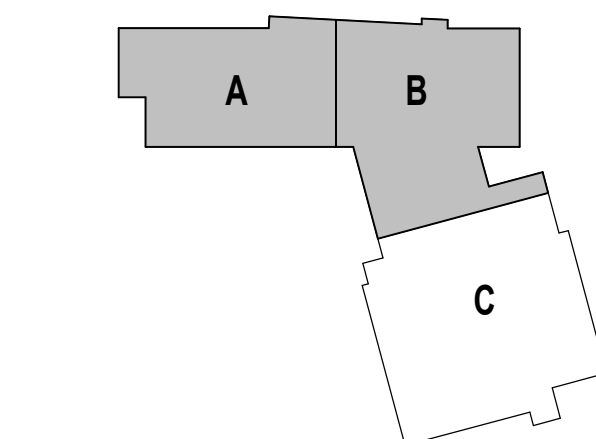
- 04 20 00 11 CMU TYPE SF1 - GROUND FACE CMU - REFERENCE DRAWINGS FOR BLOCK DEPTH
- 04 20 00 13 CMU TYPE SF3 - GROUND FACE CMU - REFERENCE DRAWINGS FOR BLOCK DEPTH
- 04 20 00 01 TYPICAL MASONRY ANCHORTIES - REFERENCE SPECIFICATION FOR SPACING
- 05 12 00 01 STEEL BEAM - SEE STRUCTURAL
- 05 40 00 03 STEEL STUDS - 3/8" INCH - 16 INCHES O.C. MAX
- 05 40 00 06 STEEL STUDS - 8 INCH - 16 INCHES O.C. MAX
- 06 10 00 21 WOOD BLOCKING - (2X) FIRE RETARDANT TREATED - SIZE AS NOTED OR DRAWN
- 06 10 00 99 WOOD BLOCKING - SIZE AS NOTED OR DRAWN
- 08 16 00 01 GYPSUM EXTERIOR SHEATHING - 5/8 INCH
- 08 20 00 04 HARDWOOD TRIM - BULLNOSE - TRANSPARENT FINISH
- 07 21 00 20 GLASS FIBER BLANKET INSULATION - MATCH DEPTH OF STUD - UNFACED
- 07 21 00 50 MINERAL WOOL INSULATION - RIGID - EXTERIOR - 2 INCH
- 07 21 00 80 MINERAL WOOL INSULATION - FOL-FACED
- 07 21 00 61 FOIL SCROLL AND KRAFT TAPE
- 07 27 13 01 AIRVAPOR BARRIER MEMBRANE - SELF-ADHERING
- 07 27 13 05 AIRVAPOR BARRIER TRANSITION MEMBRANE - SELF-ADHERING
- 07 27 13 20 FLASHING - STAINLESS STEEL
- 07 46 46 01 MINERAL FIBER CEMENT PANEL - REFERENCE ELEVATIONS FOR COLOR
- 07 46 46 20 MINERAL FIBER CEMENT SOFFIT - COLOR 1
- 07 46 46 54 HORIZONTAL Z TRIM
- 07 46 46 57 J MOLD TRIM
- 07 48 00 11 HORIZONTAL GRT - REFER TO SHOP DRAWINGS FOR SIZE
- 07 48 00 12 VERTICAL PANEL RAIL - REFER TO SHOP DRAWINGS FOR SIZE
- 07 48 00 16 VERTICAL TERMINATION GRT - REFER TO SHOP DRAWINGS FOR SIZE
- 07 48 00 22 STAINLESS STEEL SELF-DRILLING SCREW WITH THERMAL ISOLATION
- 07 81 00 01 CEMENTITIOUS FIREPROOFING
- 07 92 00 01 JOINT SEALANT - TYPE AS REQUIRED
- 08 43 13 20 ALUMINUM STOREFRONT FRAME
- 08 43 13 05 PERIMETER SEALANT
- 08 43 13 20 SEALANT & BACKER ROD
- 08 43 13 30 SPANDREL GLASS
- 08 43 13 31 SUB-FRAME / RECEPTOR
- 08 43 13 06 STEEL BACK-PAN
- 08 43 15 01 BULLET-RESISTANT ALUMINUM FRAMED STOREFRONT
- 09 22 16 03 METAL STUD 3/8" INCH - 16 INCHES O.C. MAX
- 09 29 00 01 5/8 INCH GYPSUM BOARD - LEVEL 4 FINISH - 1 LAYER
- 09 29 00 21 5/8 INCH GYPSUM BOARD - LEVEL 4 FINISH - SAG-RESISTANT
- 09 29 00 43 CORNER BEAD
- 09 51 00 02 ACT TYPE-2
- 09 91 00 01 PAINT - SEE SCHEDULE
- 12 24 00 01 ROLLER SHADE

100% CONSTRUCTION DOCUMENTS

KEY PLAN NORTH ARROW



KEYPLAN



DRAWING NAME:

EXTERIOR STOREFRONT DETAILS

DRAWN BY: MS / BFC

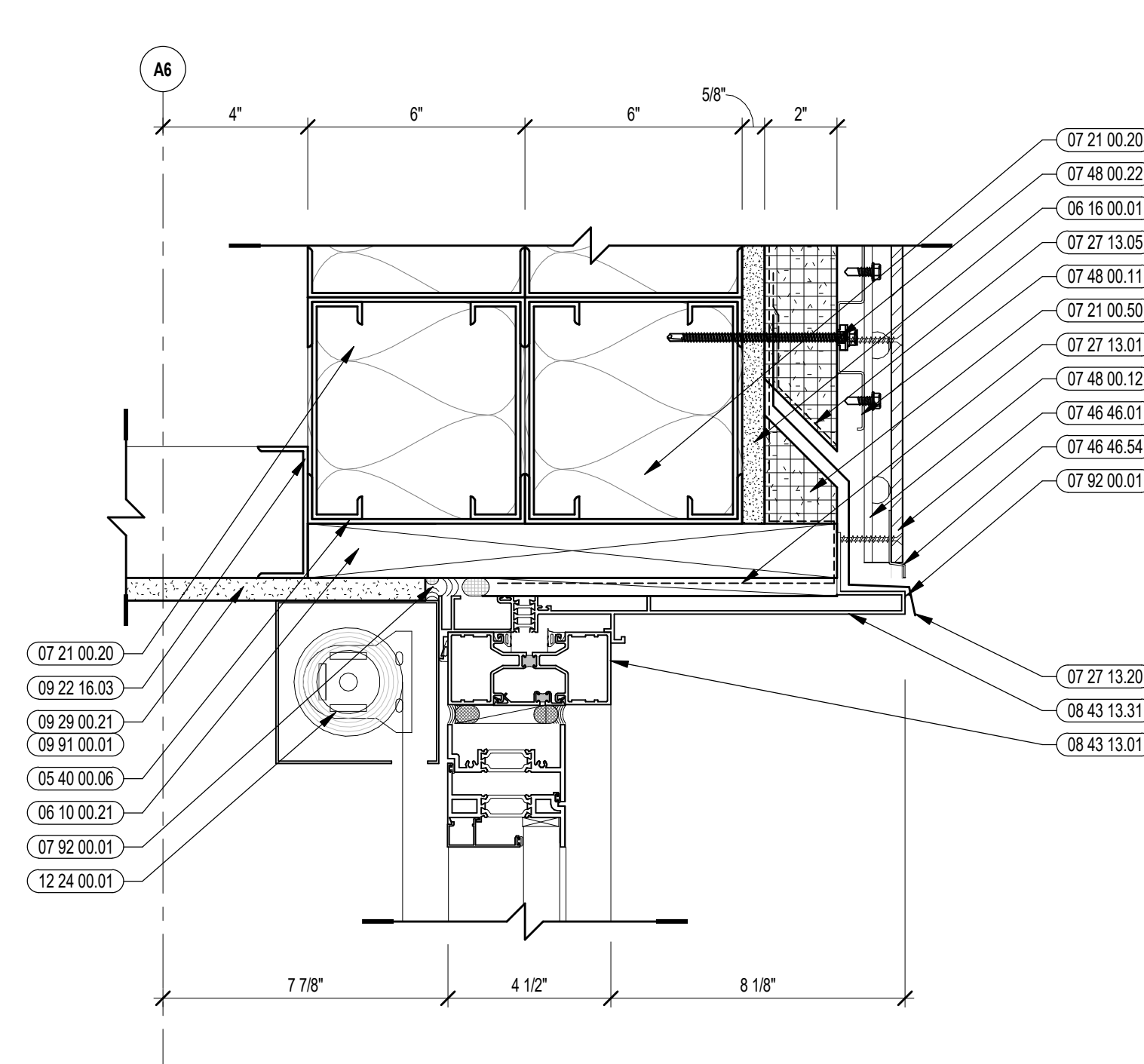
REVIEWED BY: CHR / KK

SCALE: AS INDICATED | DRAWING NUMBER:

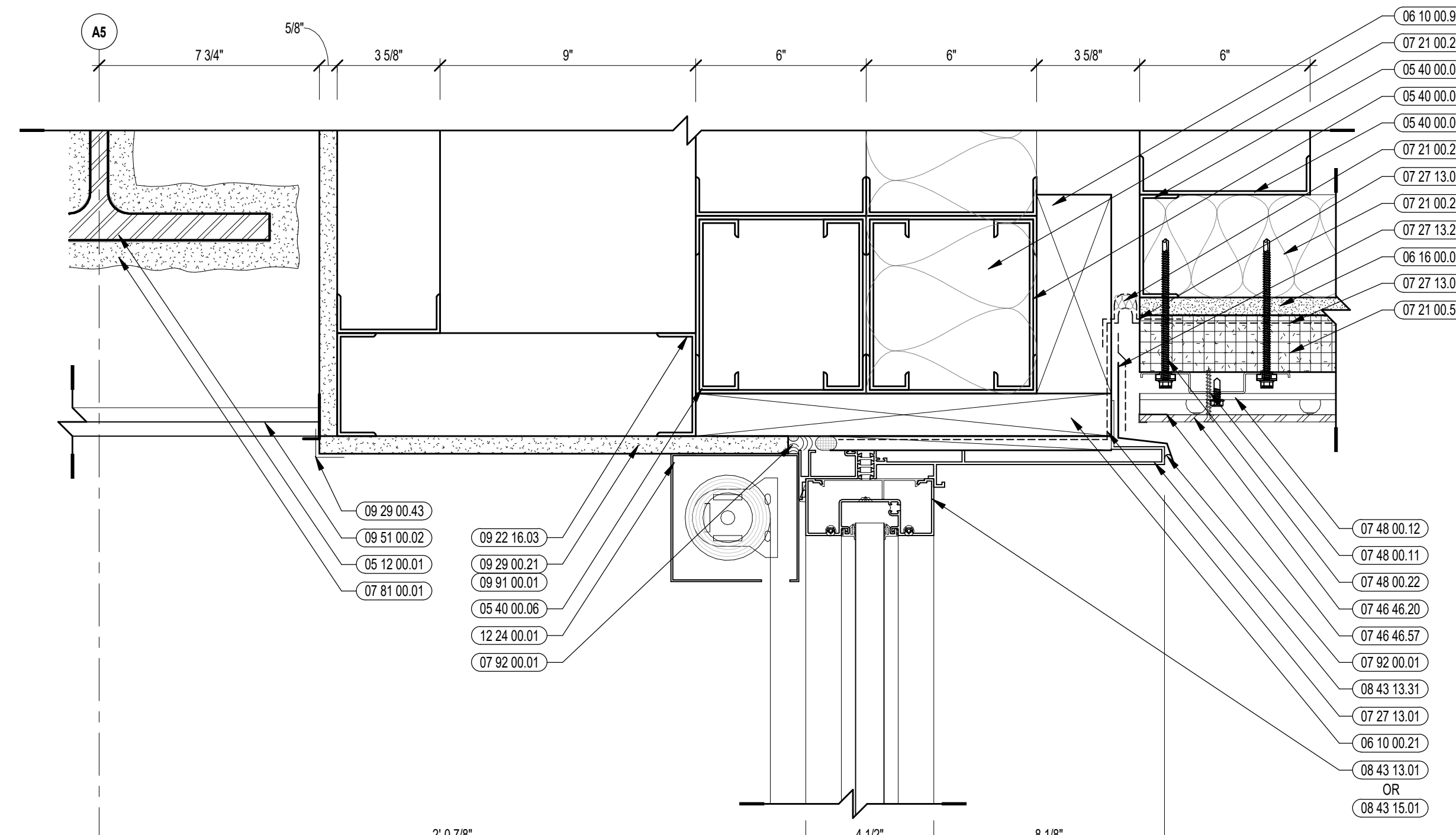
JOB NO.: 2202.02

DATE: OCTOBER 13, 2023

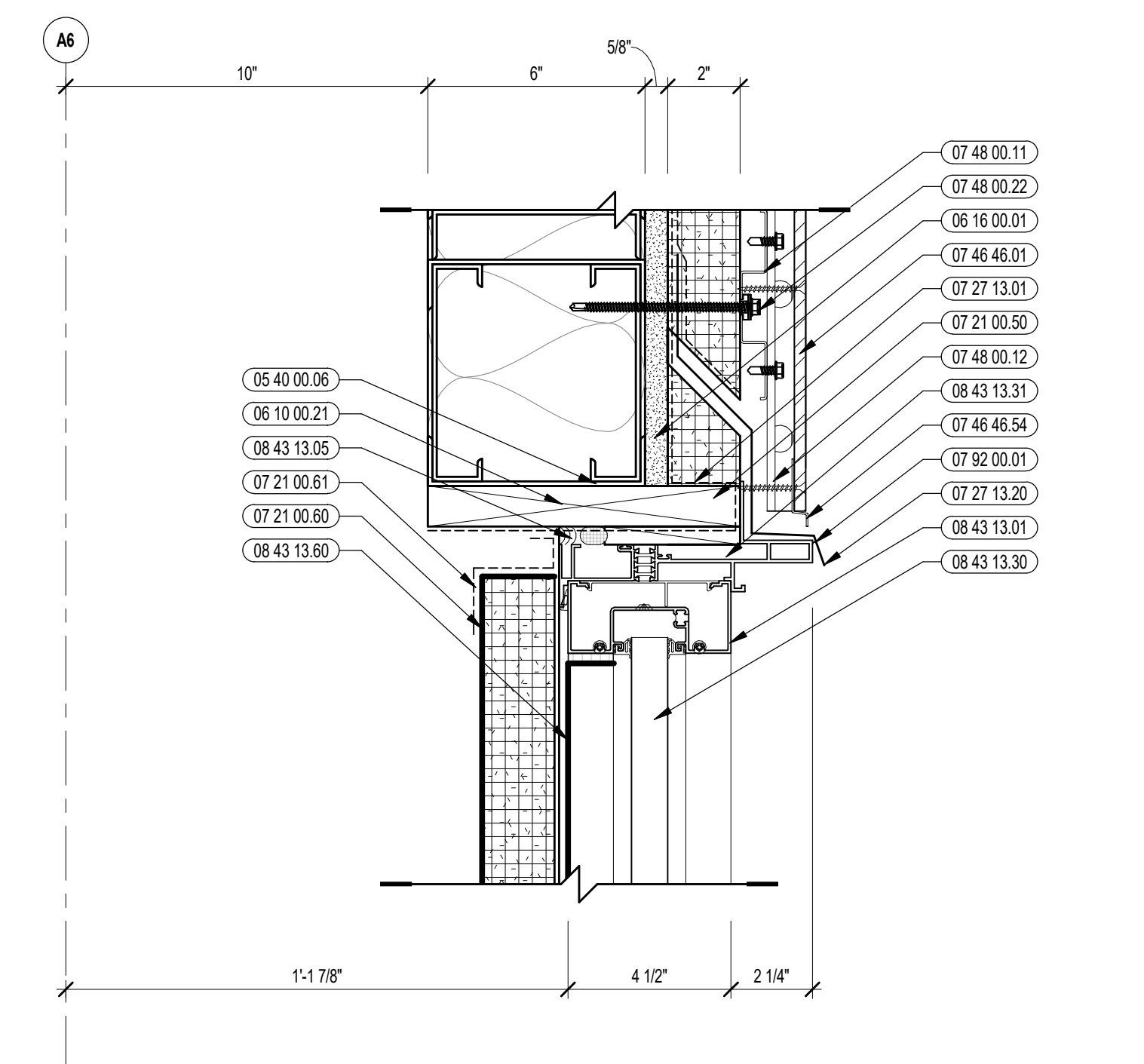
A6.21



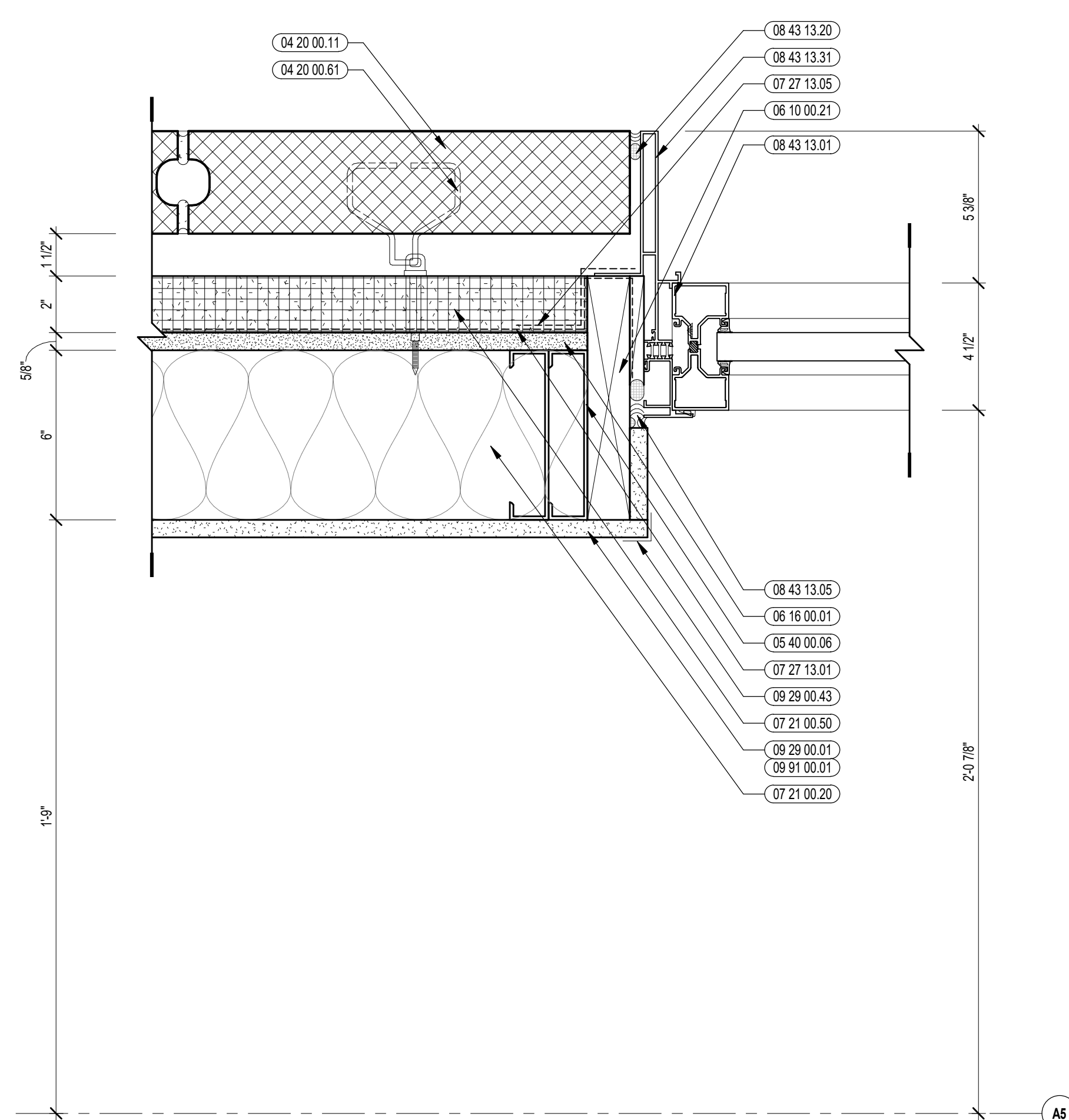
9 STOREFRONT HEAD DETAIL
3/4" = 1'-0"



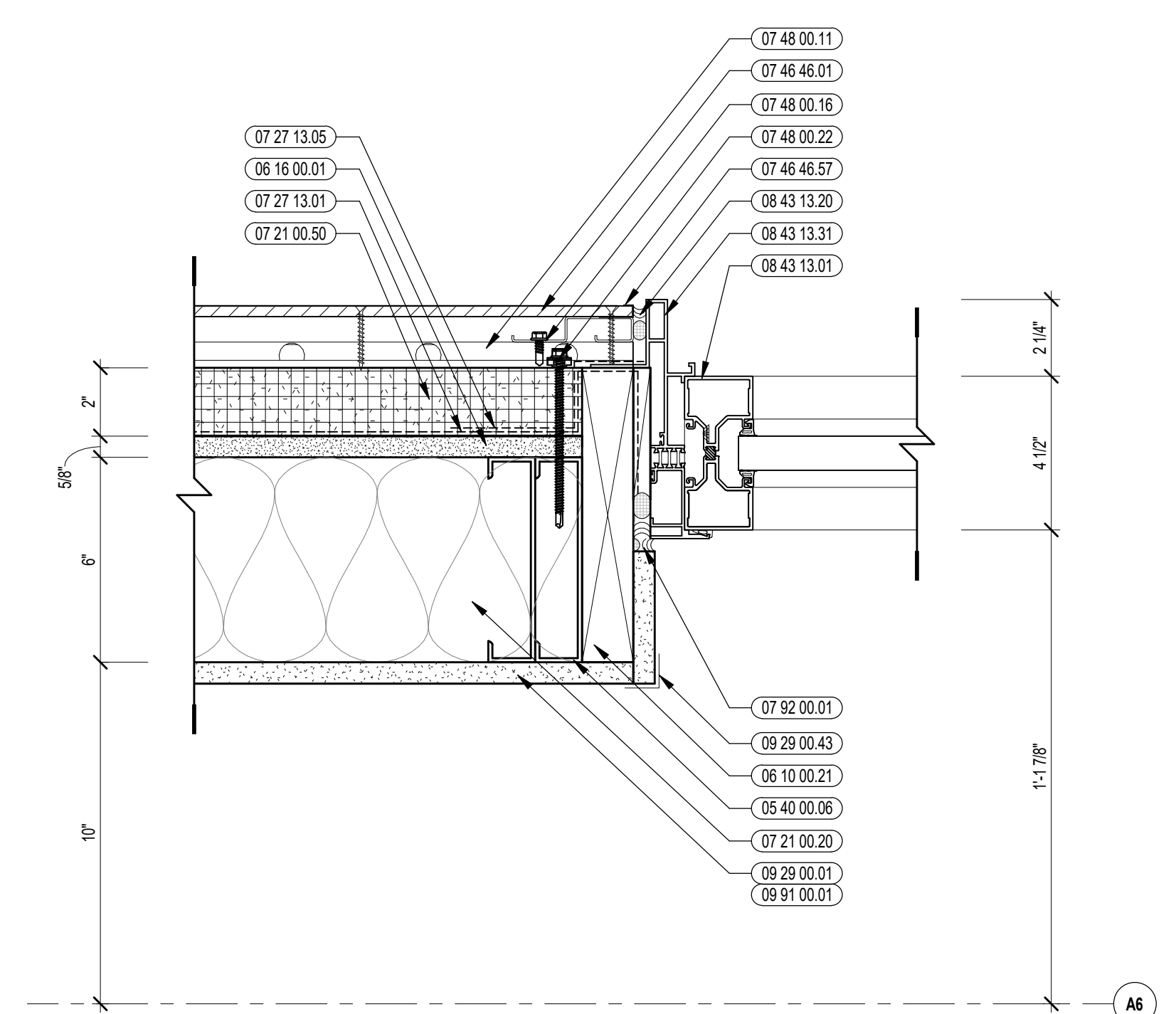
6 STOREFRONT HEAD DETAIL
3/4" = 1'-0"



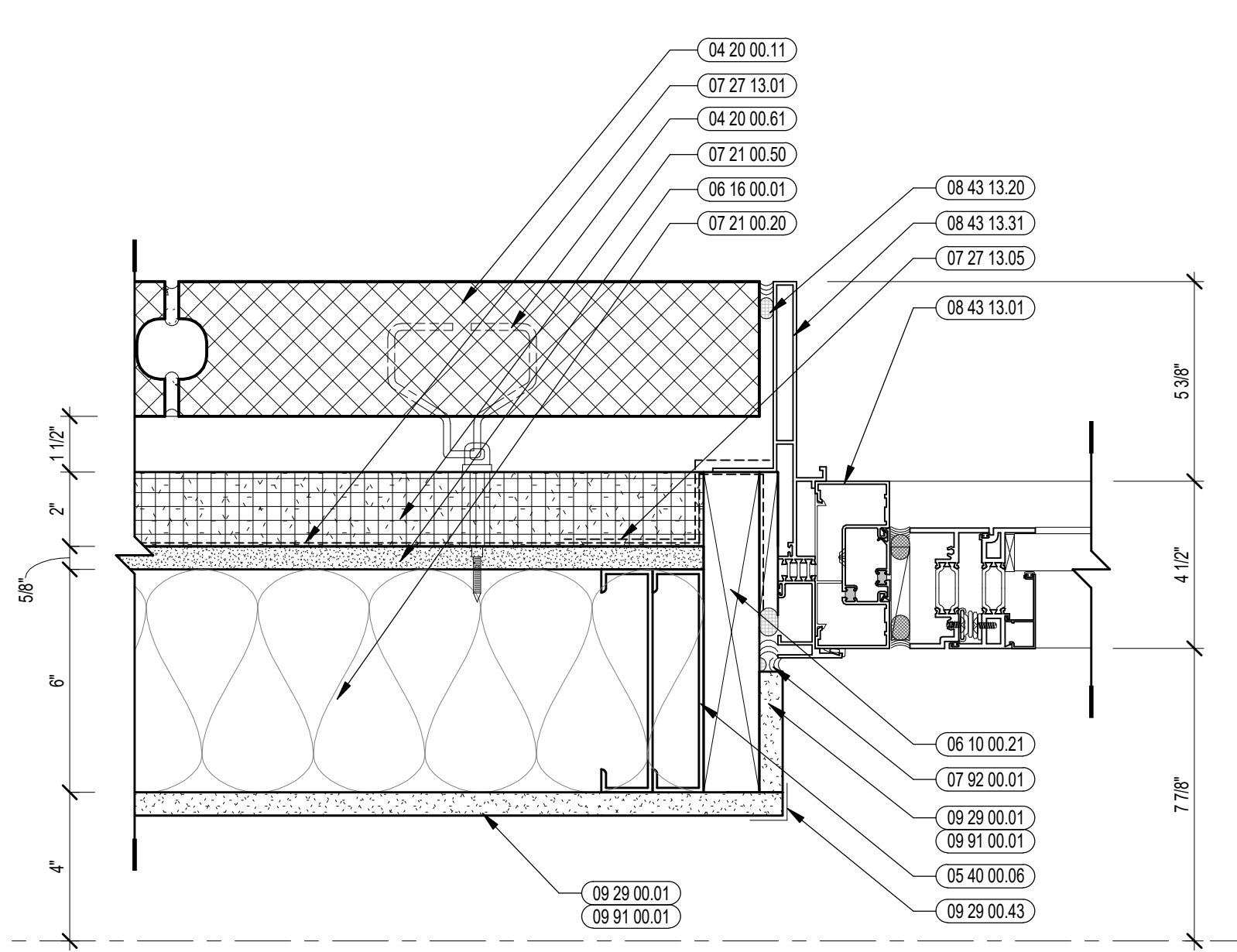
3 STOREFRONT HEAD DETAIL
3/4" = 1'-0"



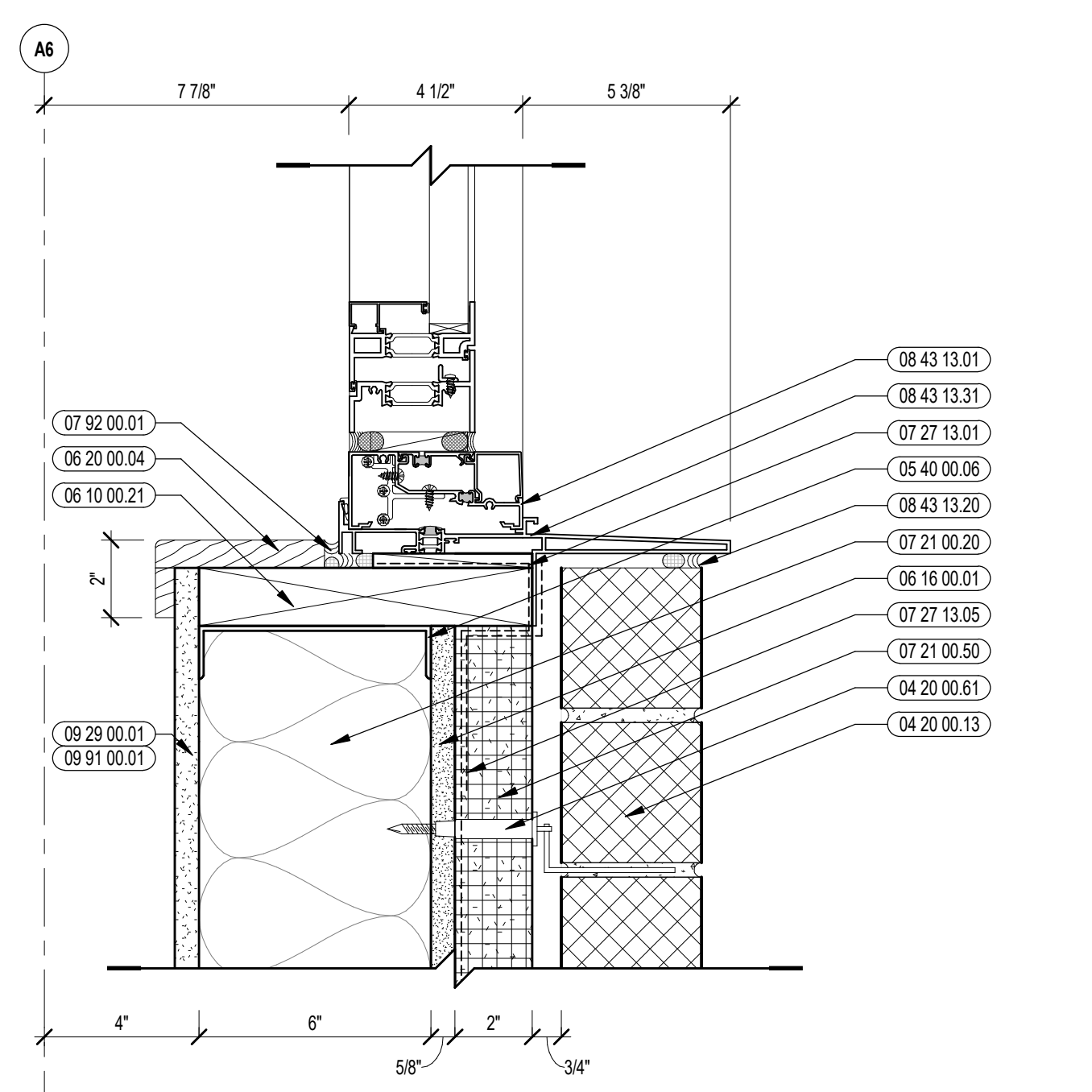
5 STOREFRONT JAMB DETAIL
3/4" = 1'-0"



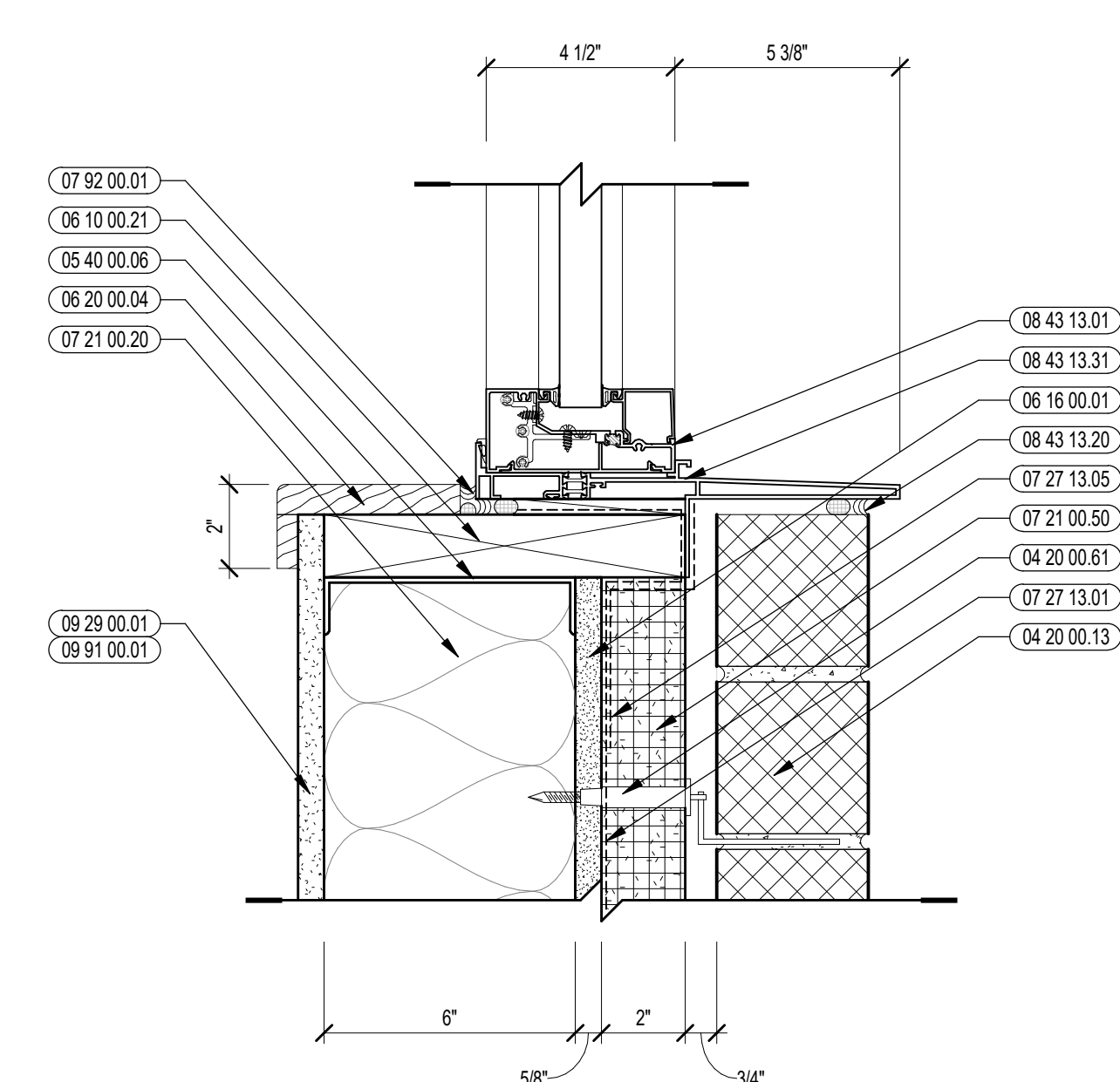
2 STOREFRONT JAMB DETAIL
3/4" = 1'-0"



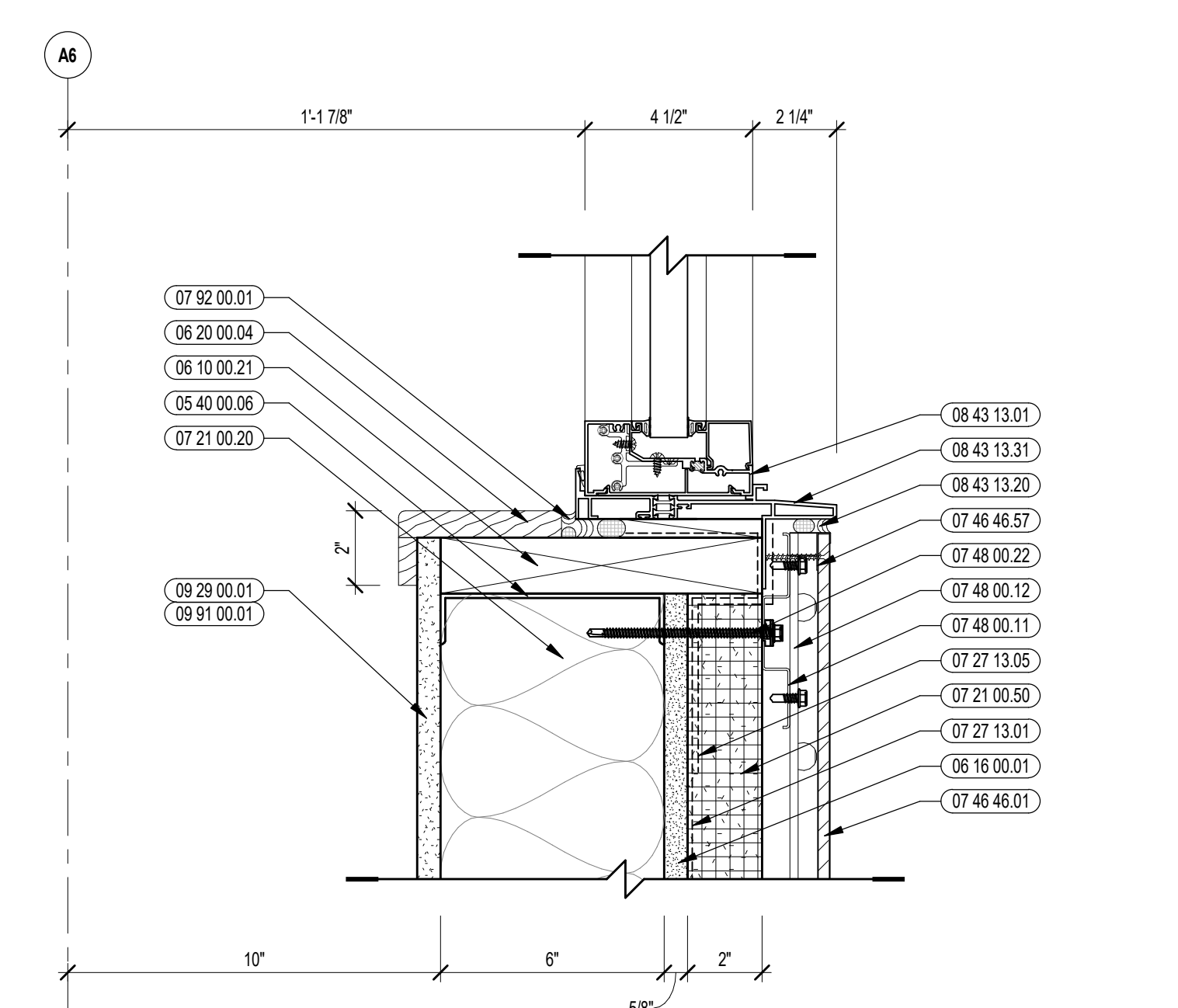
8 STOREFRONT JAMB DETAIL
3/4" = 1'-0"



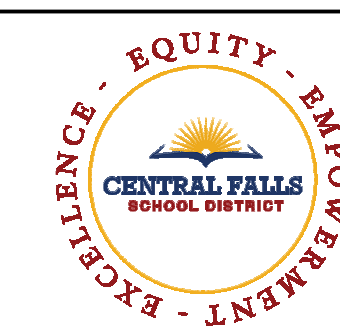
7 STOREFRONT SILL DETAIL
3/4" = 1'-0"



4 STOREFRONT SILL DETAIL
3/4" = 1'-0"



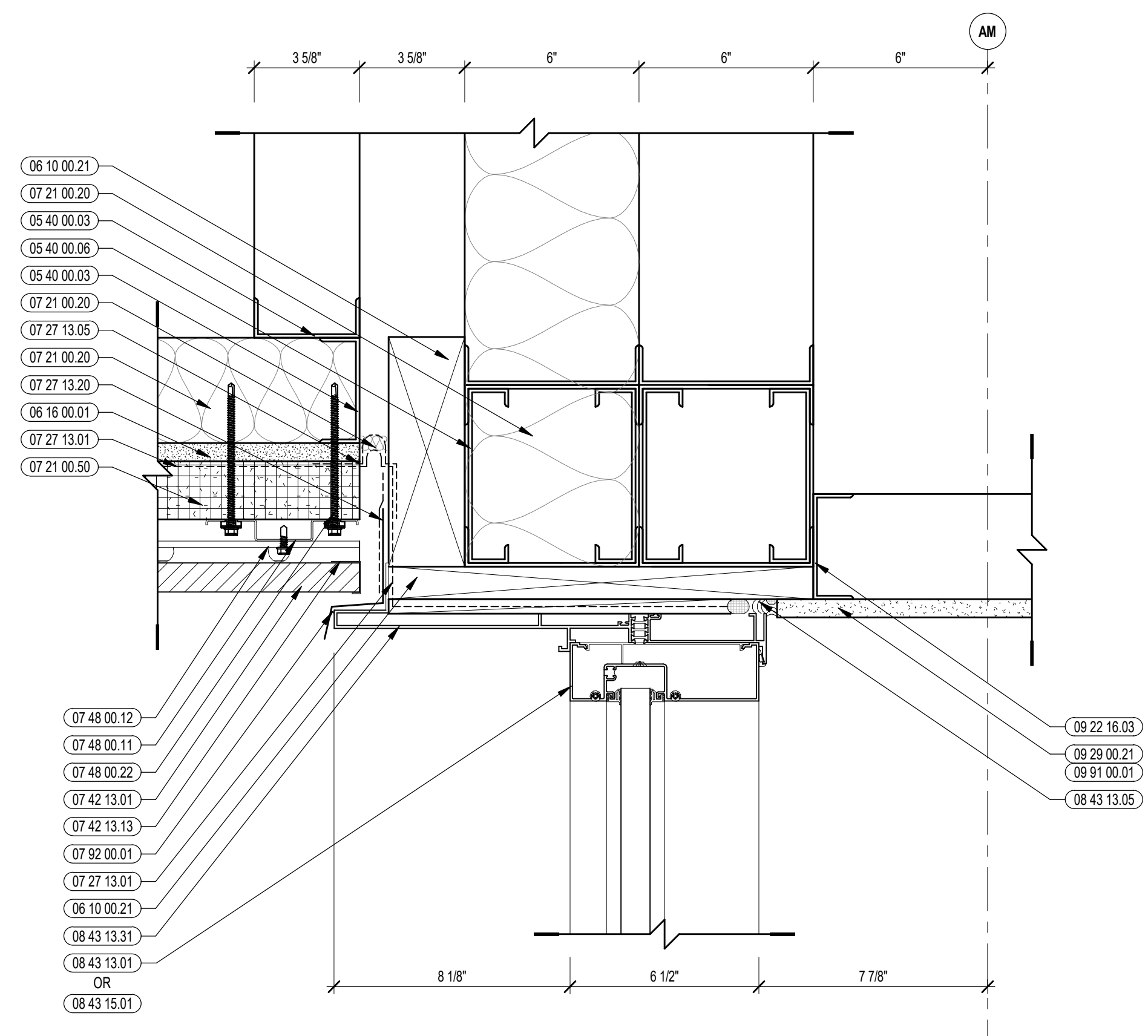
1 STOREFRONT SILL DETAIL
3/4" = 1'-0"



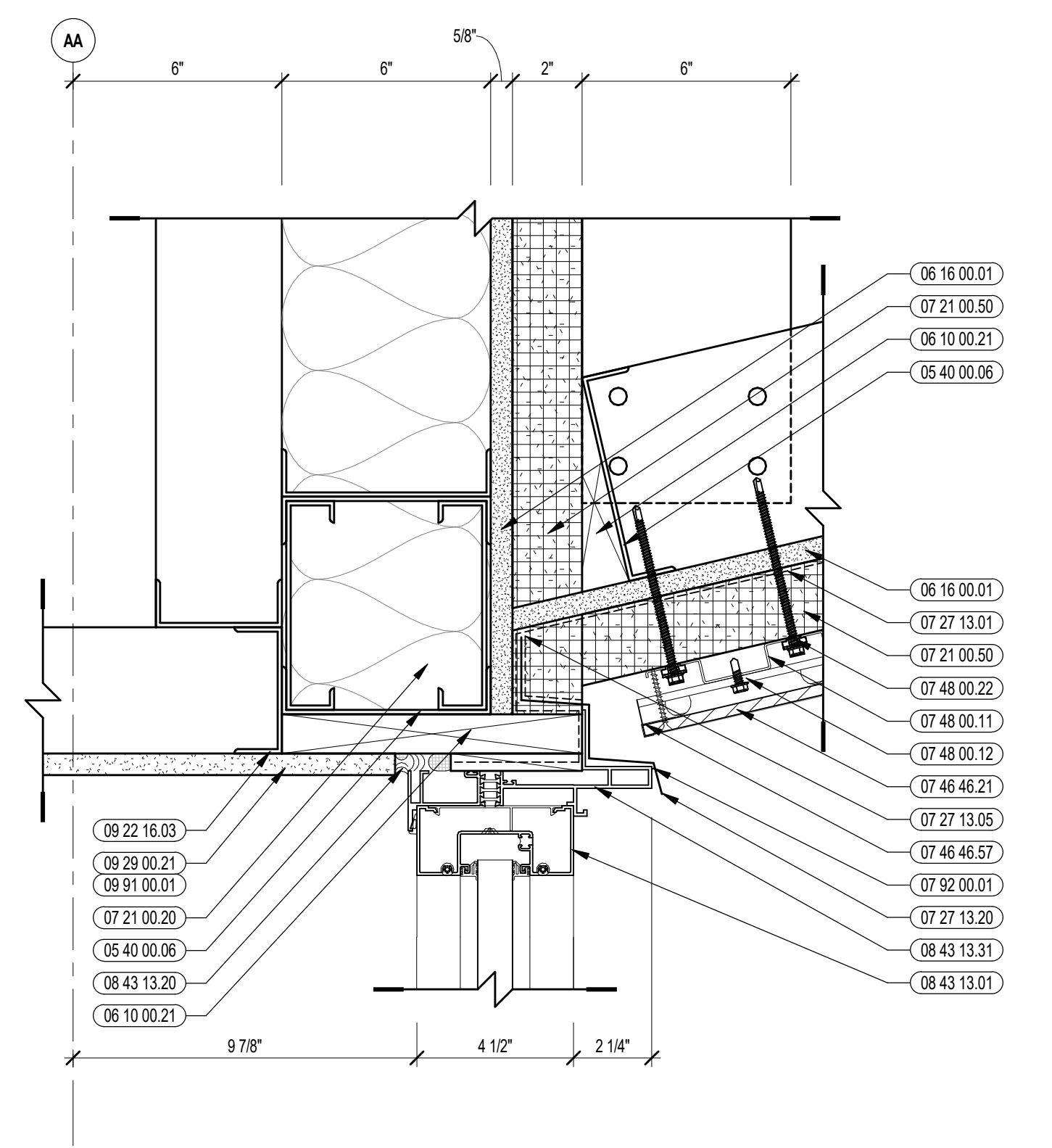
CENTRAL FALLS HIGH SCHOOL
10 HIGGINSON AVE, CENTRAL FALLS, RI

KEYNOTE LEGEND:

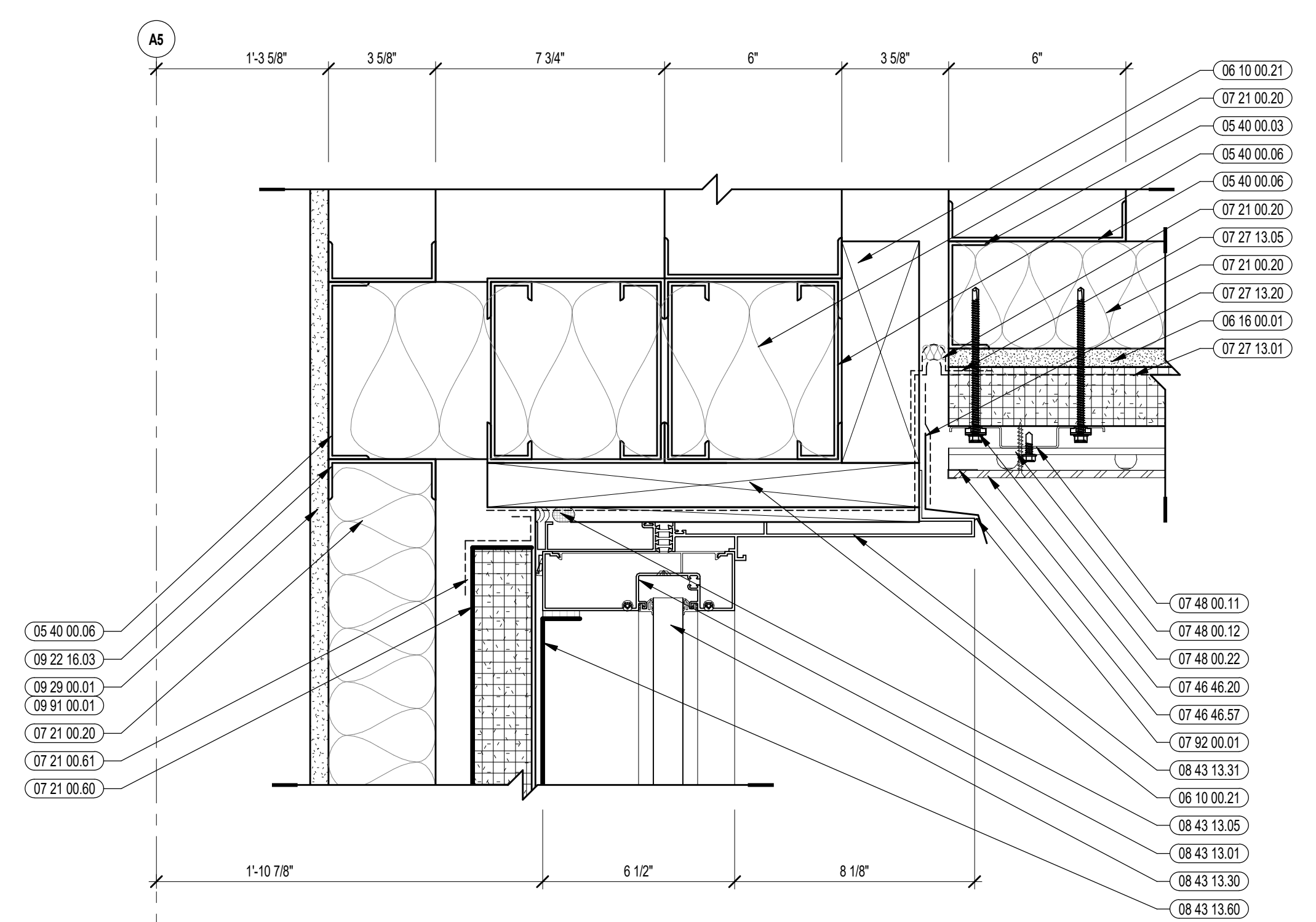
- 03 30 00.02 CONCRETE SLAB ON GRADE - SEE STRUCTURAL
- 03 30 00.05 CONCRETE FOUNDATION - SEE STRUCTURAL
- 03 30 00.11 EXPANDABLE JOINT FILLER
- 04 20 00.11 CMU TYPE SF1 - GROUND FACE CMU - REFERENCE DRAWINGS FOR BLOCK DEPTH
- 04 20 00.61 TYPICAL MASONRY ANCHOR/TIES - REFERENCE SPECIFICATION FOR SPACING
- 04 20 00.69 AIR SPACE - MAINTAIN CLEAR OF MORTAR
- 05 40 00.03 STEEL STUDS - 3/8" INCH - 16 INCHES O.C. MAX
- 05 40 00.06 STEEL STUDS - 8 INCH - 16 INCHES O.C. MAX
- 06 10 00.21 WOOD BLOCKING - (2X) FIRE RETARDANT TREATED - SIZE AS NOTED OR DRAWN
- 06 16 00.01 GYPSUM EXTERIOR SHEATHING - 5/8 INCH
- 06 20 00.04 HARDWOOD TRIM - BULLNOSE - TRANSPARENT FINISH
- 07 21 00.01 RIGID INSULATION - 2 INCH - FOUNDATION ONLY
- 07 21 00.02 RIGID INSULATION - 2 INCH - UNDER SLAB - HIGH COMPRESSIVE STRENGTH
- 07 21 00.20 GLASS FIBER BLANKET INSULATION - MATCH DEPTH OF STUD - UNFACED
- 07 21 00.59 MINERAL WOOL INSULATION - RIGID - EXTERIOR - 2 INCH
- 07 21 00.60 MINERAL WOOL INSULATION - FOL-FACED
- 07 21 00.61 FOL SCRM. AND KRAFT TAPE
- 07 26 00.01 VAPOR RETARDER - UNDER SLAB
- 07 27 13.01 AIR/VAPOR BARRIER MEMBRANE - SELF-ADHERING
- 07 27 13.05 AIR/VAPOR BARRIER TRANSITION MEMBRANE - SELF-ADHERING
- 07 27 13.10 WATERPROOF MEMBRANE FLASHING
- 07 27 13.20 FLASHING - STAINLESS STEEL
- 07 42 13.01 ALUMINUM PANEL - COLOR 1
- 07 42 13.13 ALUMINUM PANEL TRIM
- 07 46 46.01 MINERAL FIBER CEMENT PANEL - REFERENCE ELEVATIONS FOR COLOR
- 07 46 46.20 MINERAL FIBER CEMENT SOFFIT - COLOR 1
- 07 46 46.21 MINERAL FIBER CEMENT SOFFIT - COLOR 2
- 07 46 46.54 HORIZONTAL Z TRIM
- 07 46 46.57 JOULD TRIM
- 07 48 00.11 HORIZONTAL GIRT - REFER TO SHOP DRAWINGS FOR SIZE
- 07 48 00.12 VERTICAL PANEL RAIL - REFER TO SHOP DRAWINGS FOR SIZE
- 07 48 00.22 STAINLESS STEEL SELF-DRILLING SCREW WITH THERMAL ISOLATION
- 07 92 00.01 JOINT SEALANT - TYPE AS REQUIRED
- 07 92 00.02 BACKER ROD AND SEALANT - TYPE AS REQUIRED
- 08 43 13.01 ALUMINUM STOREFRONT FRAME
- 08 43 13.02 ALUMINUM ENTRANCE DOOR
- 08 43 13.05 PERIMETER SEALANT
- 08 43 13.20 SEALANT & BACKER ROD
- 08 43 13.30 SPANDREL GLASS
- 08 43 13.31 SUB-FRAME / RECEPTOR
- 08 43 13.40 METAL SILL FLASHING
- 08 43 13.60 STEEL BACK PAN
- 08 43 15.01 BULLET-RESISTANT ALUMINUM FRAMED STOREFRONT
- 08 44 13.02 ALUMINUM ENTRANCE DOOR
- 08 71 00.11 ALUMINUM THRESHOLD
- 09 22 16.03 METAL STUD 3/8" INCH - 16 INCHES O.C. MAX
- 09 29 00.01 5/8 INCH GYPSUM BOARD - LEVEL 4 FINISH - 1 LAYER
- 09 29 00.21 5/8 INCH GYPSUM BOARD - LEVEL 4 FINISH - SAG-RESISTANT
- 09 29 00.43 CORNER BEAD
- 09 91 00.01 PAINT - SEE SCHEDULE
- 32 13 13.01 SIDEWALK - SEE CIVIL/LANDSCAPE



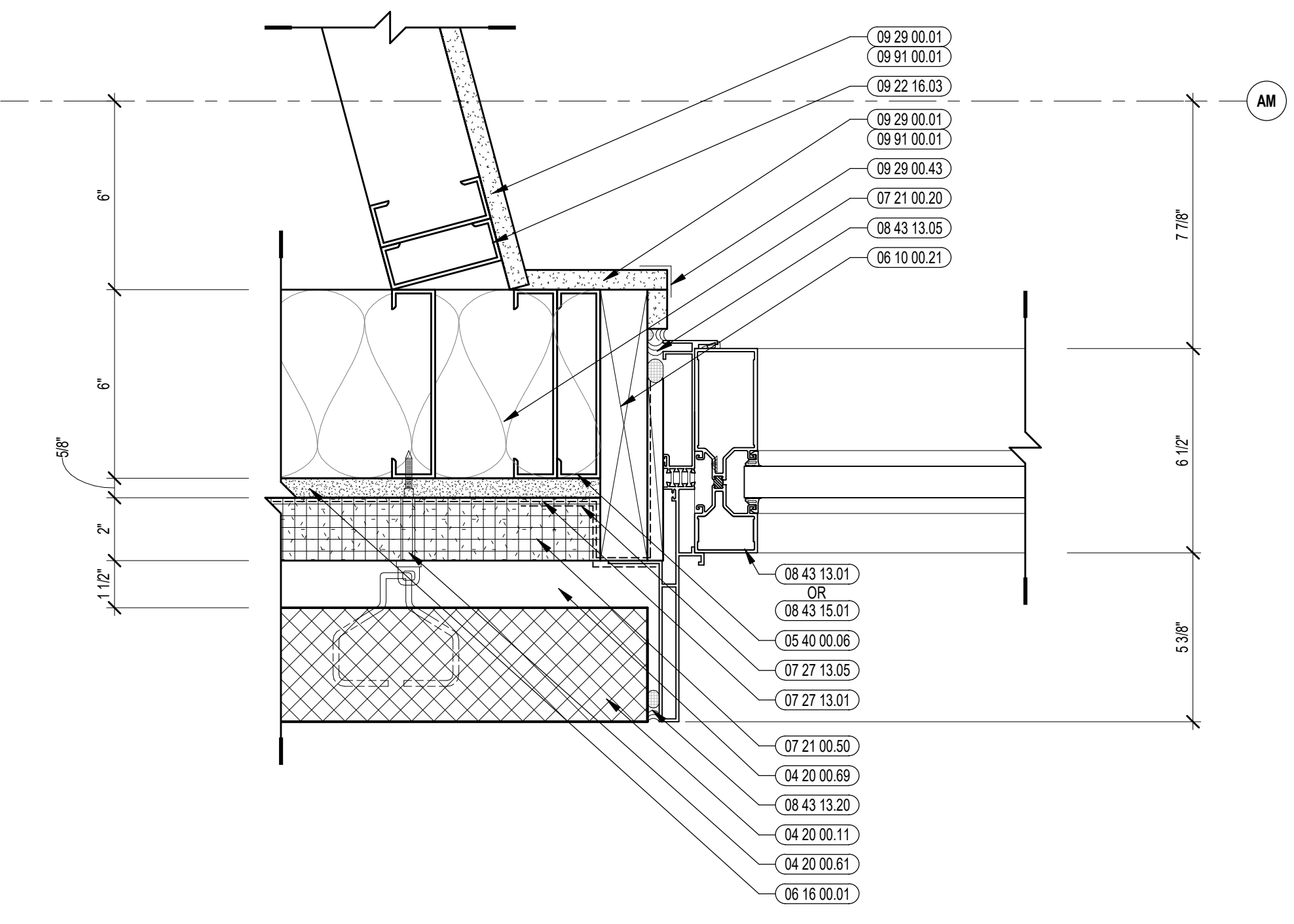
9 STOREFRONT HEAD DETAIL
3/8"=1'-0"



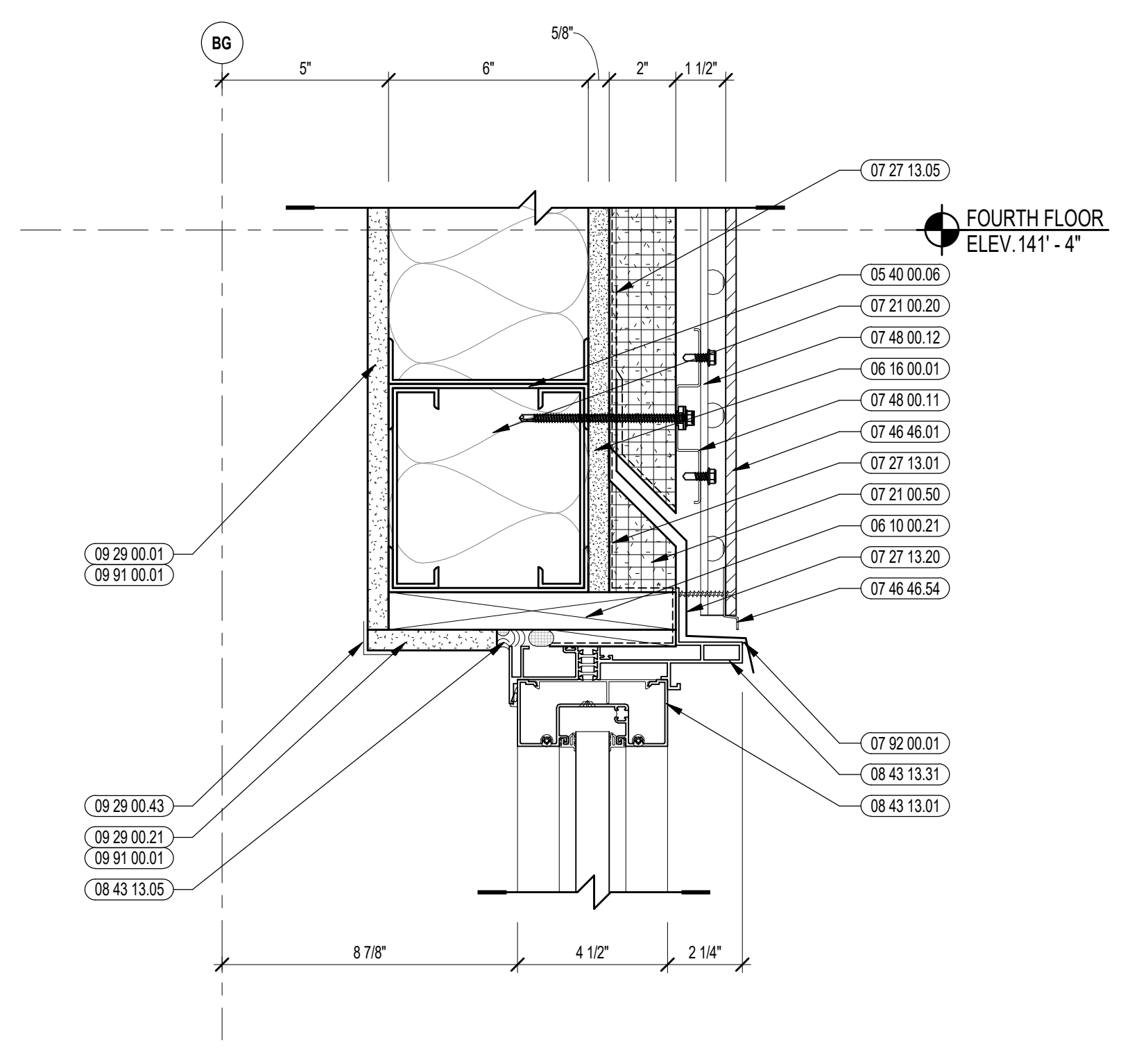
6 STOREFRONT HEAD DETAIL
3/8"=1'-0"



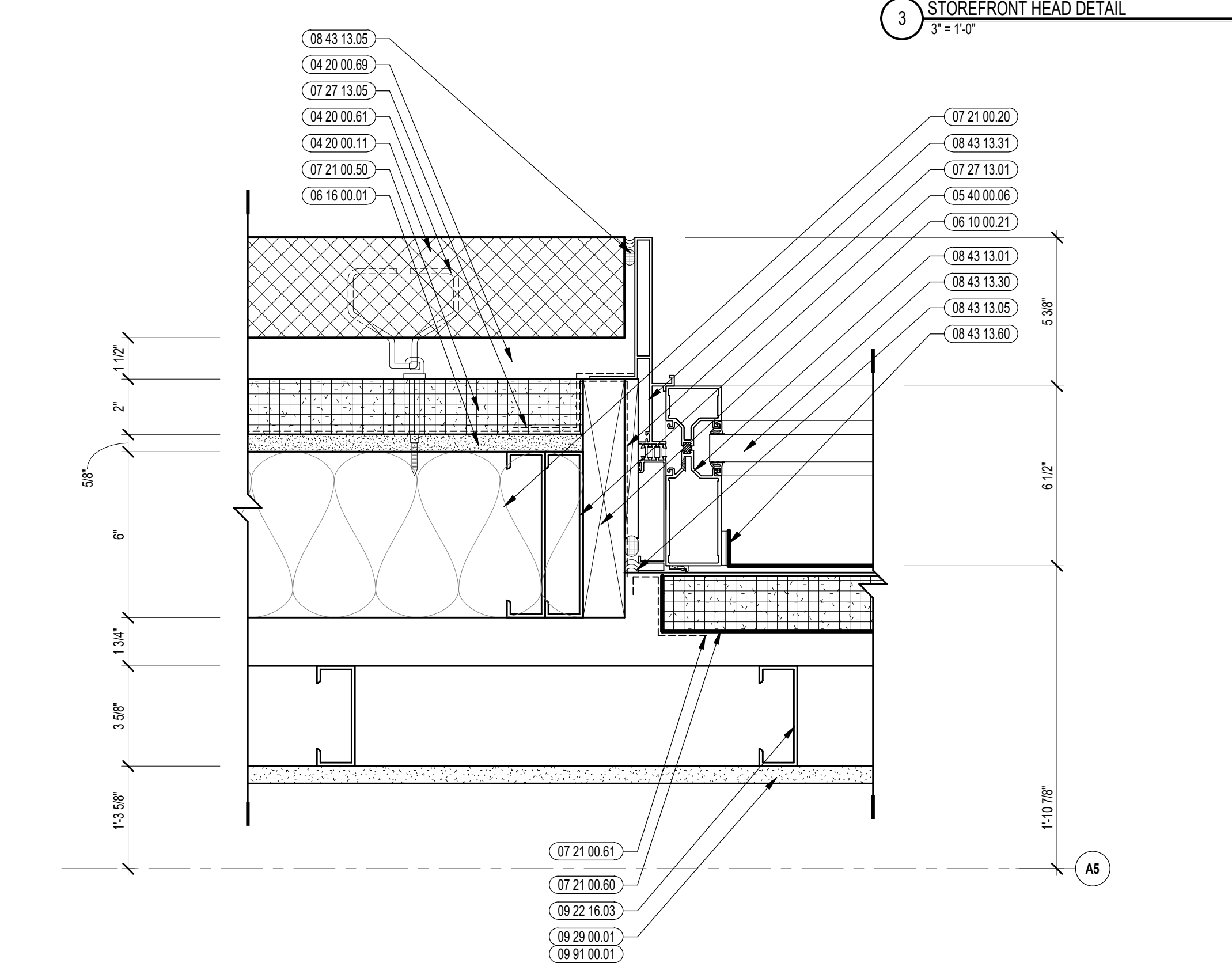
3 STOREFRONT HEAD DETAIL
3/8"=1'-0"



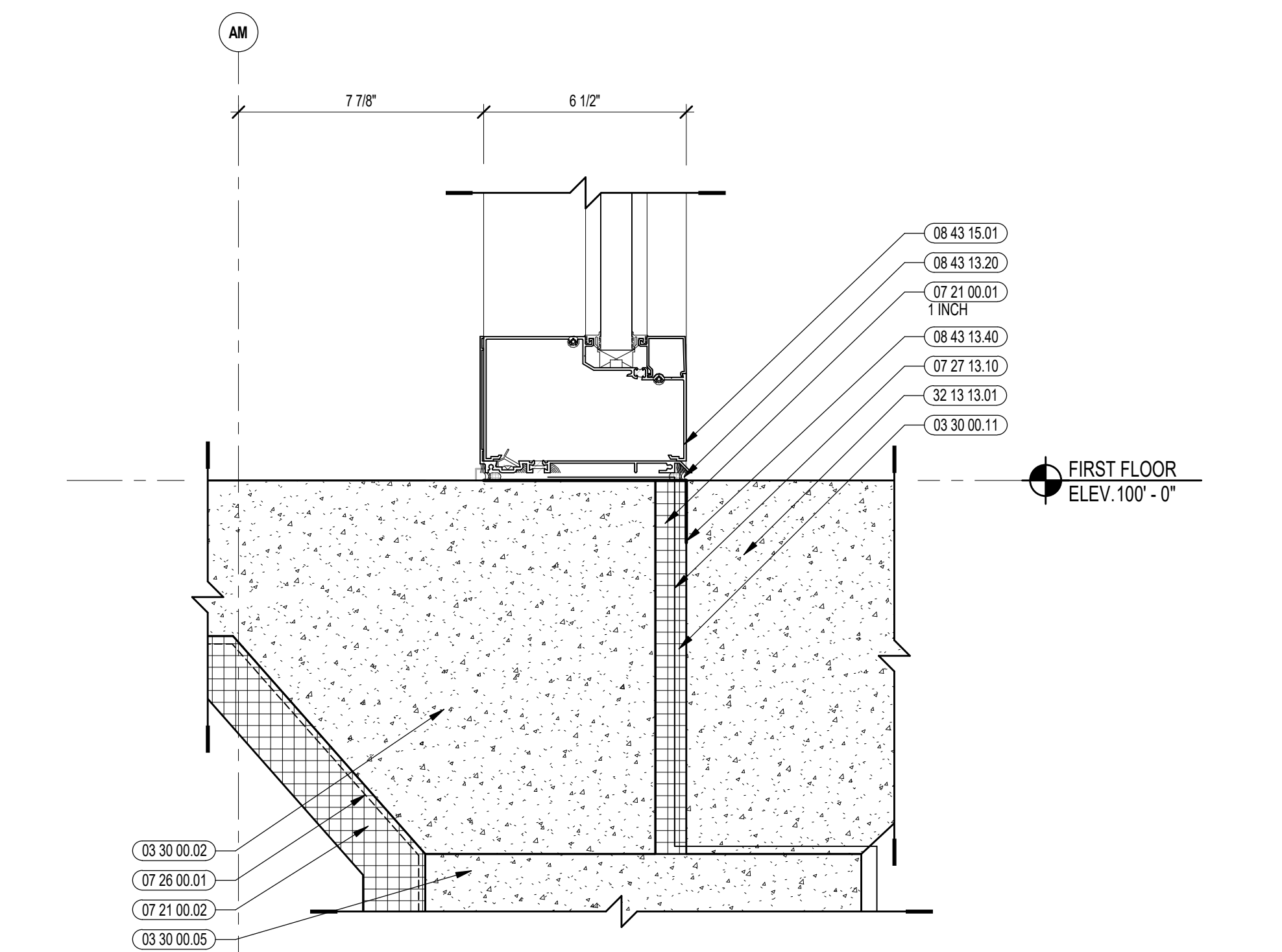
8 STOREFRONT JAMB DETAIL
3/8"=1'-0"



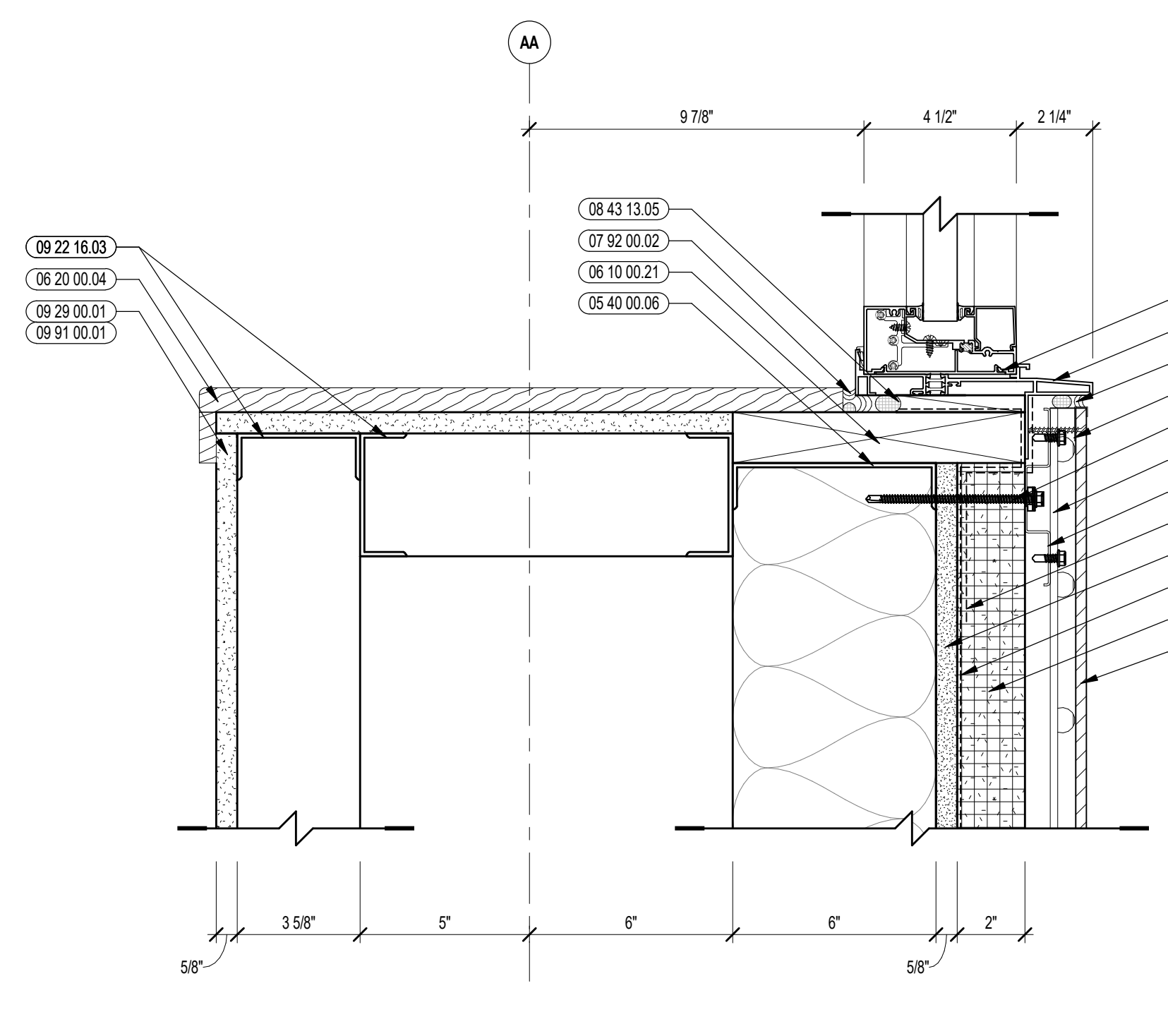
5 STOREFRONT HEAD DETAIL
3/8"=1'-0"



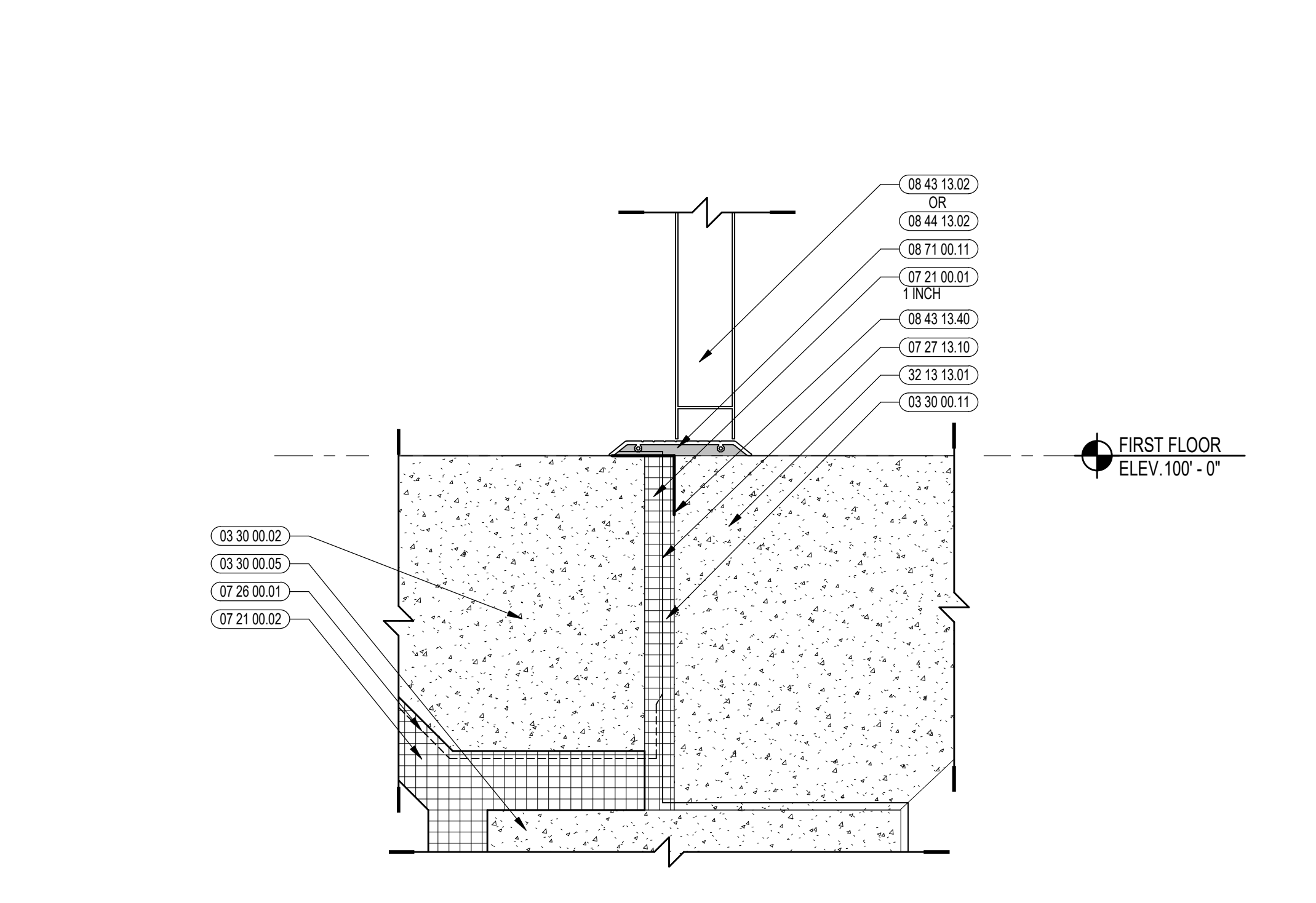
2 STOREFRONT JAMB DETAIL
3/8"=1'-0"



7 STOREFRONT SILL DETAIL
3/8"=1'-0"



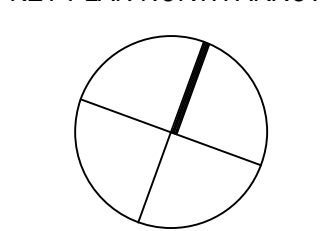
4 STOREFRONT SILL DETAIL
3/8"=1'-0"



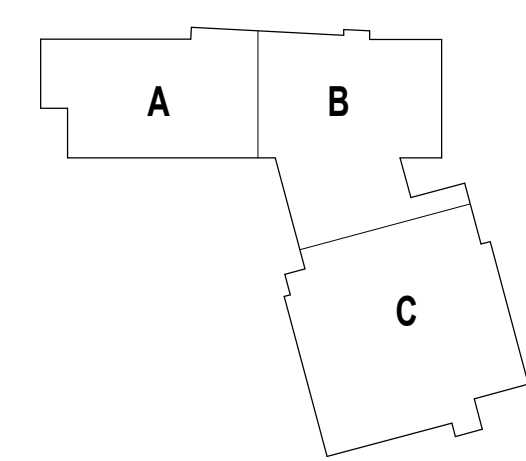
1 STOREFRONT SILL DETAIL
3/8"=1'-0"

100% CONSTRUCTION DOCUMENTS

KEY PLAN NORTH ARROW



KEYPLAN



DRAWING NAME:

EXTERIOR STOREFRONT DETAILS

DRAWN BY: BFC

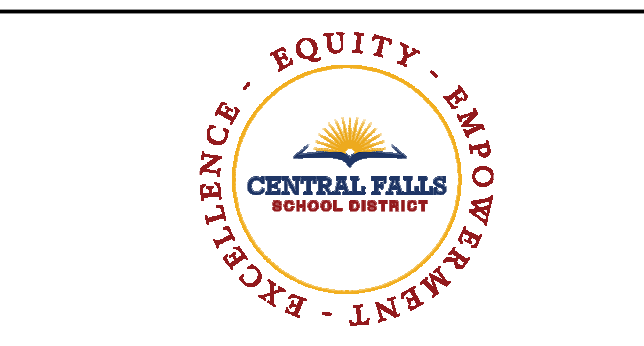
REVIEWED BY: CHR / KK

SCALE: AS INDICATED | DRAWING NUMBER:

JOB NO.: 2202.02

DATE: OCTOBER 13, 2023

A6.22



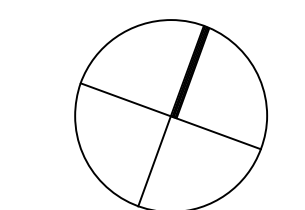
CENTRAL FALLS HIGH SCHOOL
10 HIGGINSON AVE, CENTRAL FALLS, RI

KEYNOTE LEGEND:

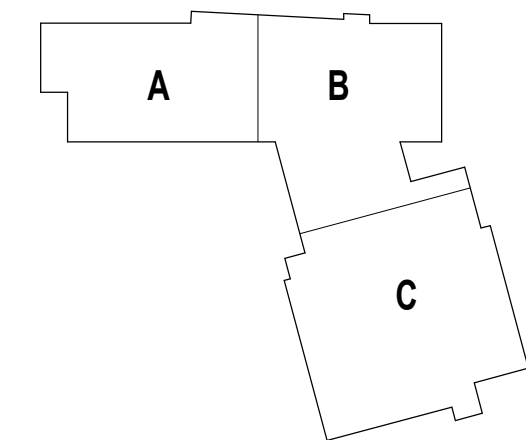
- 03 30 00.03 CONCRETE SLAB ON DECK - SEE STRUCTURAL
- 05 12 00.01 STEEL BEAM - SEE STRUCTURAL
- 05 12 00.02 STEEL COLUMN - SEE STRUCTURAL
- 05 12 00.06 STEEL TUBE - SEE STRUCTURAL
- 05 12 00.26 STEEL PLATE BENT - SEE STRUCTURAL
- 05 40 00.03 STEEL STUDS - 3/8 INCH - 16 INCHES O.C. MAX
- 05 40 00.06 STEEL STUDS - 6 INCH - 16 INCHES O.C. MAX
- 05 40 00.19 STEEL Z-CLIP - 16 GAGE MIN. - 1 INCH MIN. DEPTH - 16 INCHES O.C. MAX
- 06 10 00.11 WOOD BLOCKING - (2X) PRESSURE TREATED - SIZE AS NOTED OR DRAWN
- 06 10 00.21 WOOD BLOCKING - (2X) FIRE RETARDANT TREATED - SIZE AS NOTED OR DRAWN
- 06 10 00.34 PLYWOOD - 3/4 INCH
- 06 10 00.43 PLYWOOD PRESSURE TREATED - 5/8 INCH
- 06 16 00.01 GYPSUM EXTERIOR SHEATHING - 5/8 INCH
- 06 20 00.04 HARDWOOD TRIM - BULLNOSE - TRANSPARENT FINISH
- 06 20 00.33 HARDWOOD VENEER PLYWOOD - 3/4 INCH - TRANSPARENT FINISH
- 07 21 00.20 GLASS FIBER BLANKET INSULATION - MATCH DEPTH OF STUD - UNFACED
- 07 21 00.50 MINERAL WOOL INSULATION - RIGID - EXTERIOR - 2 INCH
- 07 21 00.80 MINERAL WOOL INSULATION - FOIL-FACED
- 07 21 00.81 FOIL, SCRM. AND KRAFT TAPE
- 07 27 13.01 AIRVAPOR BARRIER MEMBRANE - SELF-ADHERING
- 07 27 13.05 AIRVAPOR BARRIER TRANSITION MEMBRANE - SELF-ADHERING
- 07 27 13.20 FLASHING - STAINLESS STEEL
- 07 46 46.01 MINERAL FIBER CEMENT PANEL - REFERENCE ELEVATIONS FOR COLOR
- 07 46 46.54 HORIZONTAL 2" TRIM
- 07 46 46.57 J MOLD TRIM
- 07 48 00.11 HORIZONTAL GIRT - REFER TO SHOP DRAWINGS FOR SIZE
- 07 48 00.16 VERTICAL PANEL RAIL - REFER TO SHOP DRAWINGS FOR SIZE
- 07 48 00.18 VERTICAL TERMINATION GIRT - REFER TO SHOP DRAWINGS FOR SIZE
- 07 48 00.22 STAINLESS STEEL SELF-DRILLING SCREW WITH THERMAL ISOLATION
- 07 54 19.01 PVC SINGLE PLY MEMBRANE ROOFING
- 07 54 19.02 HIGH DENSITY POLYISO RECOVERY BOARD
- 07 54 19.03 POLYISO RIGID INSULATION
- 07 54 19.04 POLYISO TAPERED INSULATION
- 07 54 19.09 SHEET VAPOR RETARDER - TAPE SEAMS
- 07 54 19.15 3-SIDED METAL PAN
- 07 54 19.80 WALKWAY PANS
- 07 72 00.82 ROOF PAVER - ADJUSTABLE PEDESTAL
- 07 72 00.83 ROOF PAVER - DRAINAGE PEDESTAL
- 07 81 00.01 CEMENTITIOUS FIREPROOFING
- 07 92 00.01 JOINT SEALANT - TYPE AS REQUIRED
- 08 43 13.01 ALUMINUM STOREFRONT FRAME
- 08 43 13.02 ALUMINUM ENTRANCE DOOR
- 08 43 13.05 PERIMETER SEALANT
- 08 43 13.20 SEALANT & BACKER ROD
- 08 43 13.30 SPANDREL GLASS
- 08 43 13.31 SUB-FRAME / RECEPTOR
- 08 43 13.60 STEEL BACK PAN
- 08 43 15.01 BULLET-RESISTANT ALUMINUM FRAMED STOREFRONT
- 08 71 00.11 ALUMINUM THRESHOLD
- 09 22 16.03 METAL STUD 3-5/8 INCH - 16 INCHES O.C. MAX
- 09 29 00.01 5/8 INCH GYPSUM BOARD - LEVEL 4 FINISH - 1 LAYER
- 09 29 00.43 CORNER BEAD

100% CONSTRUCTION DOCUMENTS

KEY PLAN NORTH ARROW



KEYPLAN



DRAWING NAME:

EXTERIOR STOREFRONT DETAILS

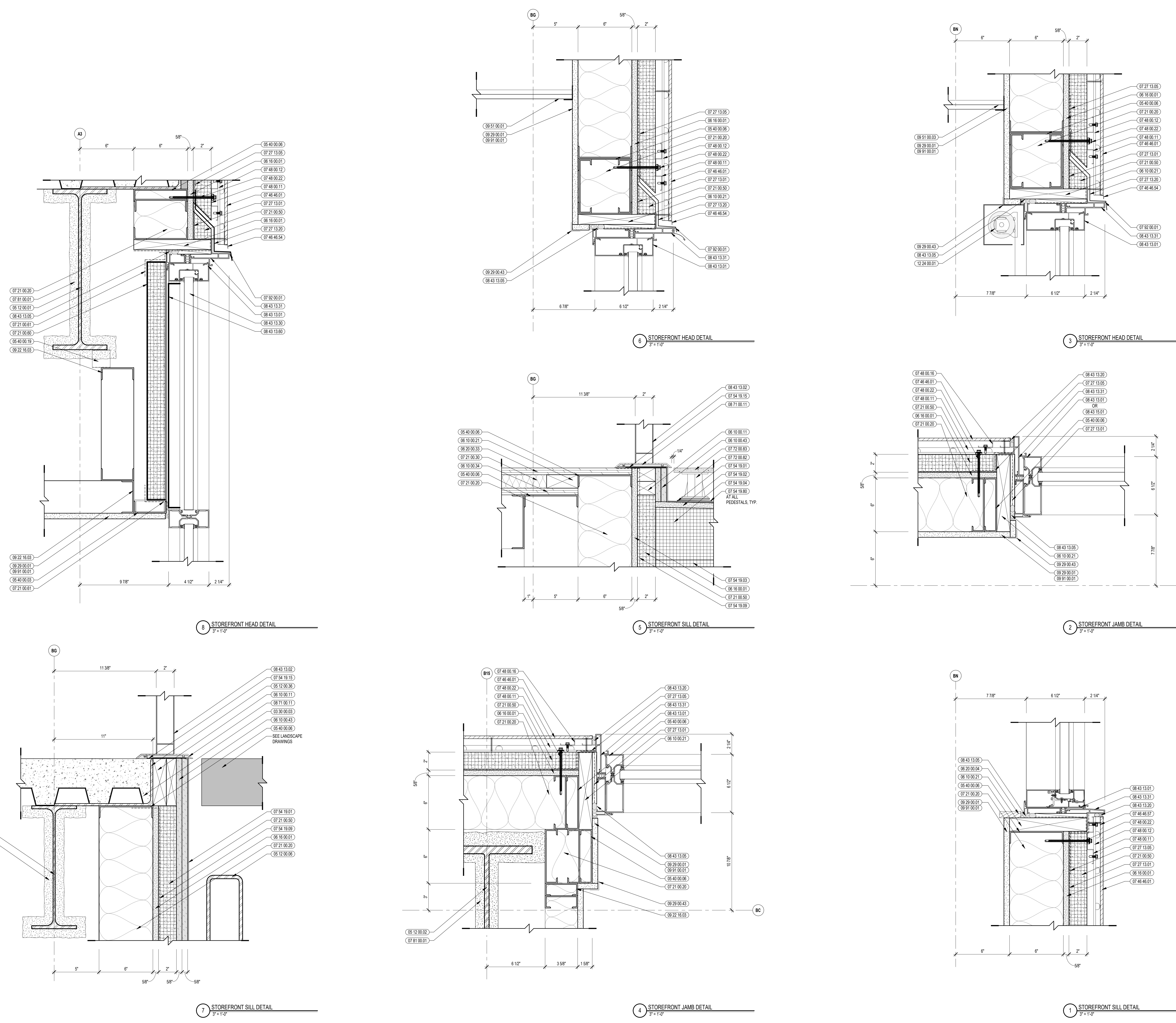
DRAWN BY: BFC

REVIEWED BY: CHR / KK

SCALE: AS INDICATED | DRAWING NUMBER:

JOB NO.: 2202.02 | DATE: OCTOBER 13, 2023

A6.23



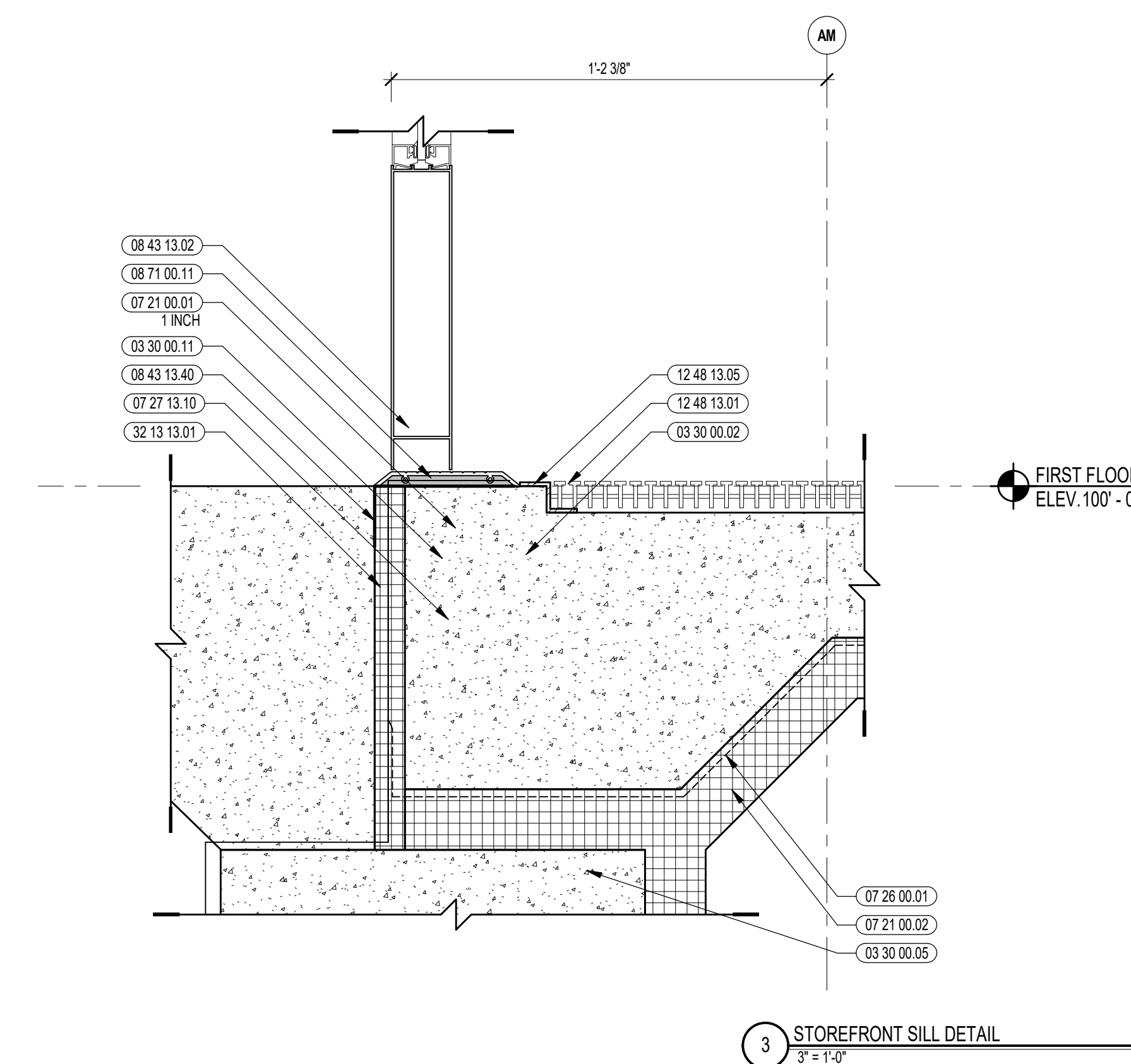


CENTRAL FALLS HIGH SCHOOL
10 HIGGINSON AVE, CENTRAL FALLS, RI

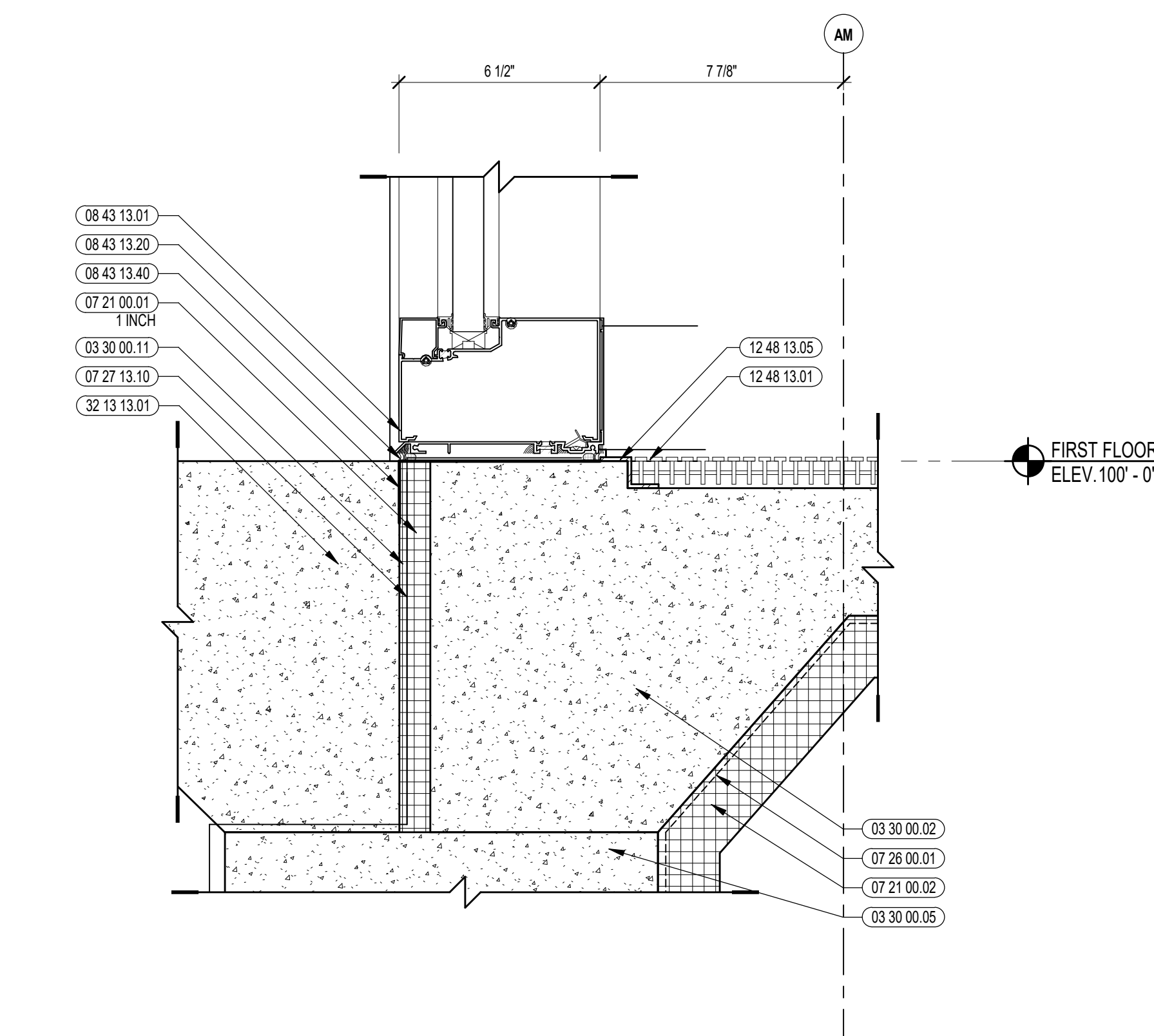
Copyright © 2023, A3 Architects, Inc.

KEYNOTE LEGEND:

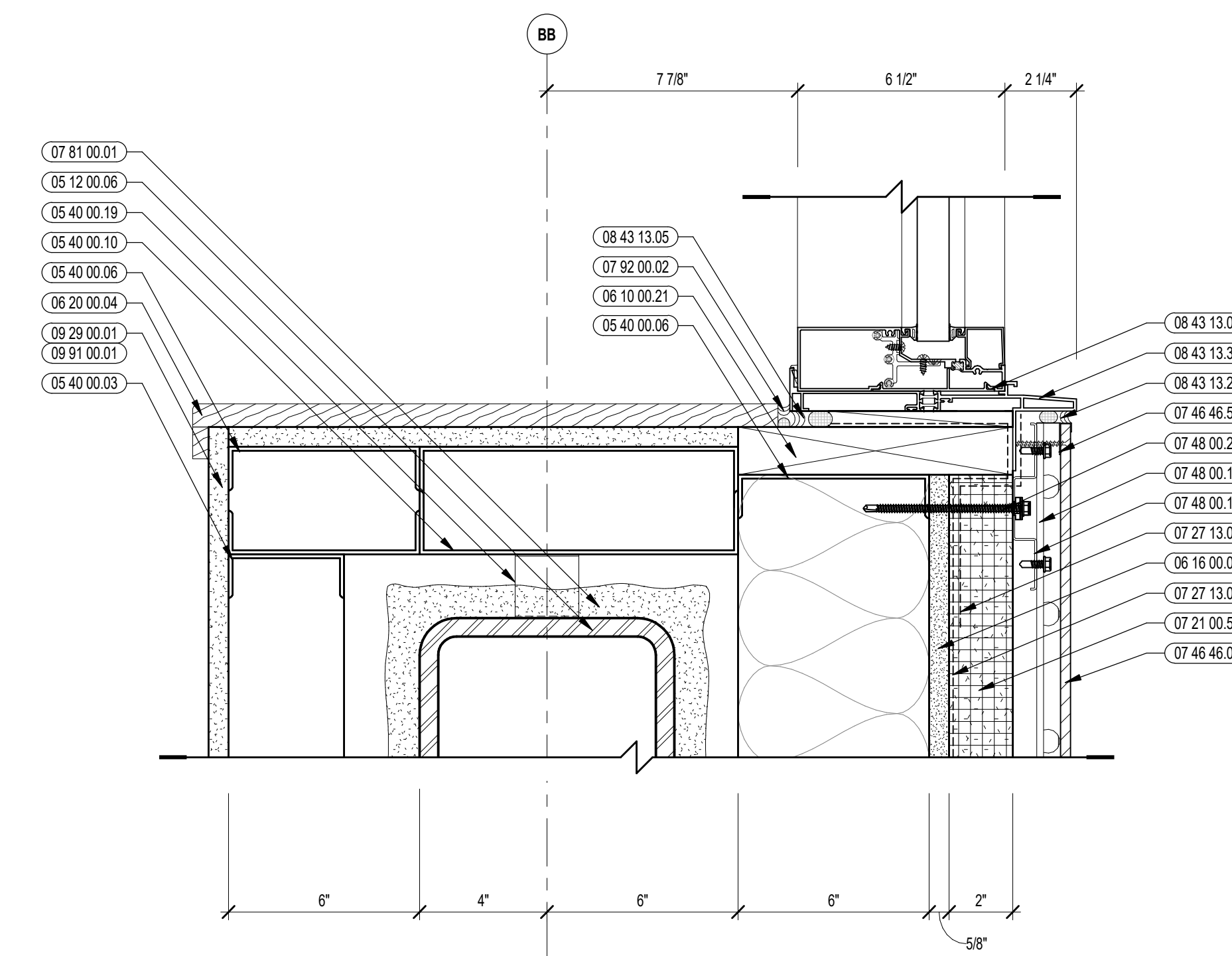
03 30 00.02	CONCRETE SLAB ON GRADE - SEE STRUCTURAL
03 30 00.05	CONCRETE FOUNDATION - SEE STRUCTURAL
03 30 00.11	EXPANDABLE JOINT FILLER
05 12 00.06	STEEL TUBE - SEE STRUCTURAL
05 40 00.03	STEEL STUDS - 3/8 INCH - 16 INCHES O.C. MAX
05 40 00.08	STEEL STUDS - 1/2 INCH - 16 INCHES O.C. MAX
05 40 00.10	STEEL STUDS - 10 INCH - 16 INCHES O.C. MAX
05 40 00.19	STEEL Z-CLIP - 16 GAGE MIN. - 1 INCH MIN. DEPTH - 16 INCHES O.C. MAX
06 10 00.21	WOOD BLOCKING - (2X) FIRE RETARDANT TREATED - SIZE AS NOTED OR DRAWN
06 16 00.01	GYPSUM EXTERIOR SHEATHING - 5/8 INCH
06 20 00.04	HARDWOOD TRIM - BULLNOSE - TRANSPARENT FINISH
07 21 00.01	RIGID INSULATION - 2 INCH - FOUNDATION ONLY
07 21 00.02	RIGID INSULATION - 2 INCH - UNDER SLAB - HIGH COMPRESSIVE STRENGTH
07 21 00.20	GLASS FIBER BLANKET INSULATION - MATCH DEPTH OF STUD - UNFACED
07 21 00.50	MINERAL WOOL INSULATION - RIGID - EXTERIOR - 2 INCH
07 26 00.01	VAPOR RETARDER - UNDER SLAB
07 27 13.01	AR/VAPOR BARRIER MEMBRANE - SELF-ADHERING
07 27 13.05	AR/VAPOR BARRIER TRANSITION MEMBRANE - SELF-ADHERING
07 27 13.10	WATERPROOF MEMBRANE FLASHING
07 27 13.20	FLASHING - STAINLESS STEEL
07 46 46.01	MINERAL FIBER CEMENT PANEL - REFERENCE ELEVATIONS FOR COLOR
07 46 46.20	MINERAL FIBER CEMENT SOFFIT - COLOR 1
07 46 46.57	J MOLD TRIM
07 48 00.11	HORIZONTAL GRIT - REFER TO SHOP DRAWINGS FOR SIZE
07 48 00.12	VERTICAL PANEL RAIL - REFER TO SHOP DRAWINGS FOR SIZE
07 48 00.22	STAINLESS STEEL SELF-DRILLING SCREW WITH THERMAL ISOLATION
07 81 00.01	CEMENTITIOUS PREPROOFING
07 92 00.01	JOINT SEALANT - TYPE AS REQUIRED
07 92 00.02	BACKER ROD AND SEALANT - TYPE AS REQUIRED
08 43 13.01	ALUMINUM STOREFRONT FRAME
08 43 13.02	ALUMINUM ENTRANCE DOOR
08 43 13.05	PERIMETER SEALANT
08 43 13.20	SEALANT & BACKER ROD
08 43 13.31	SUB-FRAME / RECEPTOR
08 43 13.40	METAL SILL FLASHING
08 71 00.11	ALUMINUM THRESHOLD
09 22 16.03	METAL STUD 3/8 INCH - 16 INCHES O.C. MAX
09 29 00.01	5/8 INCH GYPSUM BOARD - LEVEL 4 FINISH - 1 LAYER
09 29 00.21	5/8 INCH GYPSUM BOARD - LEVEL 4 FINISH - GAG-RESISTANT
09 91 00.01	PAINT - SEE SCHEDULE
12 24 00.01	ROLLER SHADE
12 48 13.01	RECESSED ENTRANCE MAT - REFERENCE DRAWINGS FOR SIZE
12 48 13.05	EXTRUDED ALUMINUM RECESSED FRAMING - Z SHAPE
32 13 13.01	SIDEWALK - SEE CIVILLANDSCAPE



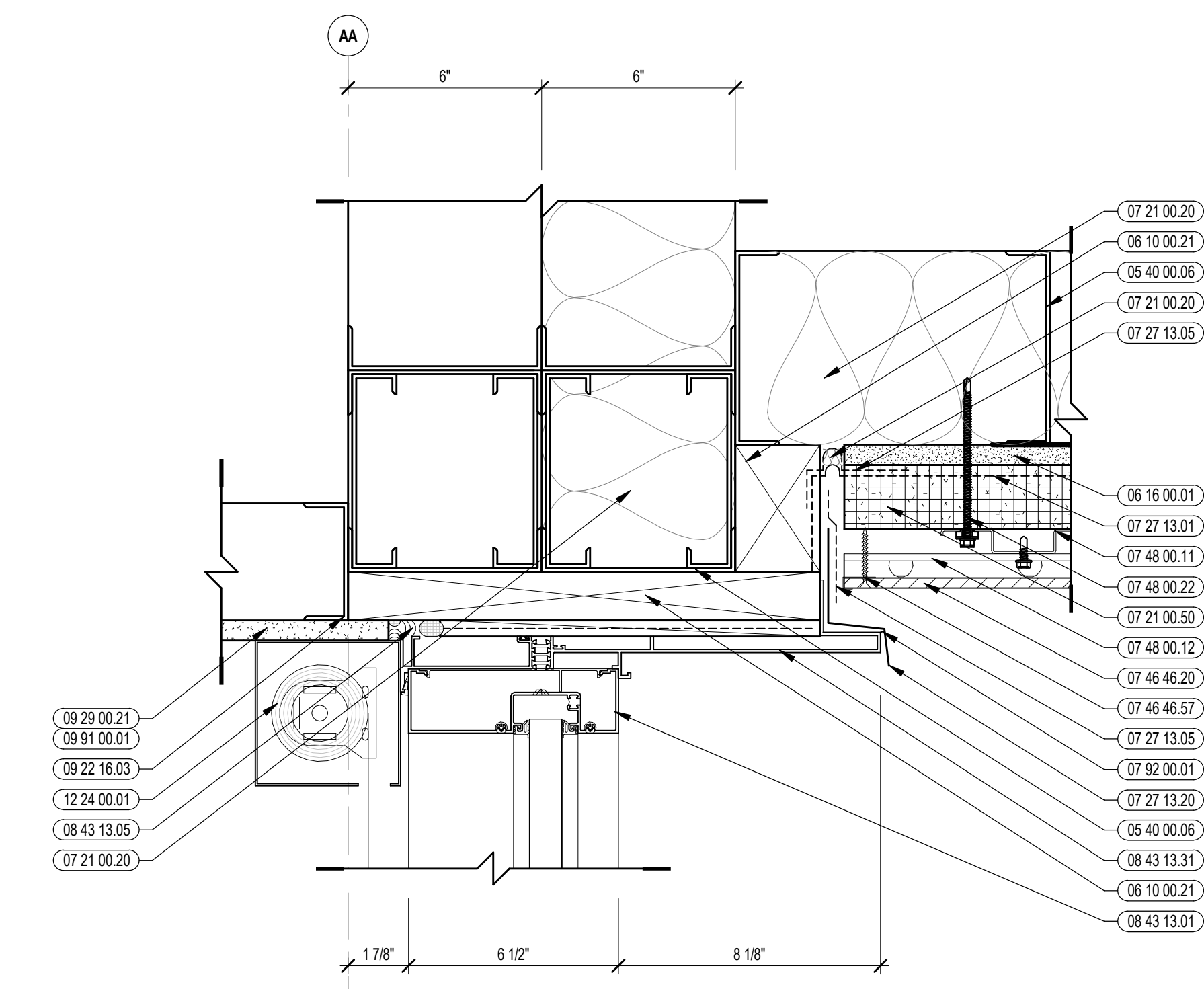
3 STOREFRONT SILL DETAIL
3/8" = 1'-0"



2 STOREFRONT SILL DETAIL
3/8" = 1'-0"



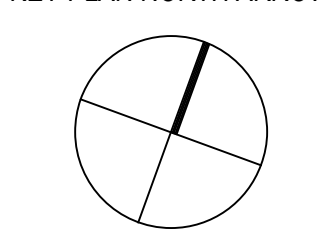
4 STOREFRONT SILL DETAIL
3/8" = 1'-0"



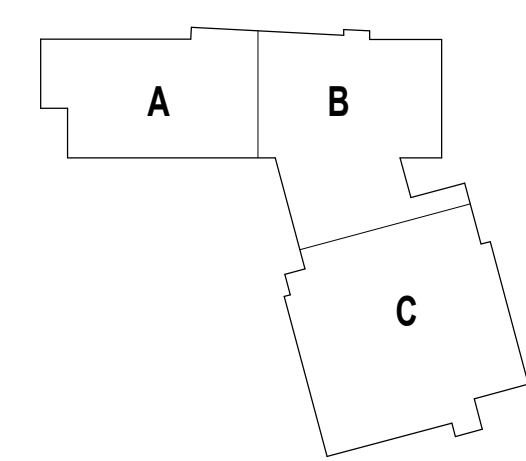
1 STOREFRONT HEAD DETAIL
3/8" = 1'-0"

100% CONSTRUCTION DOCUMENTS

KEY PLAN NORTH ARROW



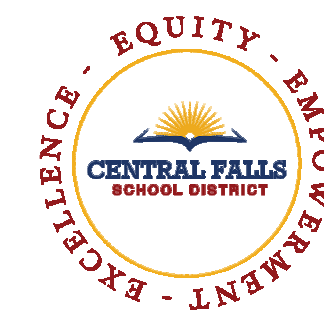
KEYPLAN



DRAWING NAME:

EXTERIOR STOREFRONT DETAILS

DRAWN BY:	BFC
REVIEWED BY:	CHR / KK
SCALE:	AS INDICATED
JOB NO.:	2202.02
DATE:	OCTOBER 13, 2023
DRAWING NUMBER:	A6.24

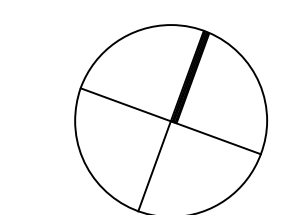


CENTRAL FALLS HIGH SCHOOL
10 HIGGINSON AVE, CENTRAL FALLS, RI

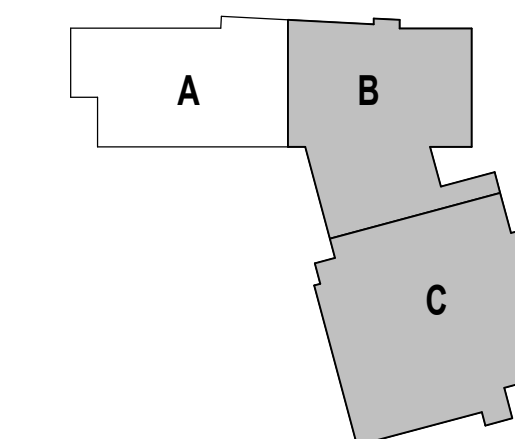
KEYNOTE LEGEND:

100% CONSTRUCTION DOCUMENTS

KEY PLAN NORTH ARROW



KEYPLAN



DRAWING NAME:

CURTAINWALL TYPES

DRAWN BY: BFC

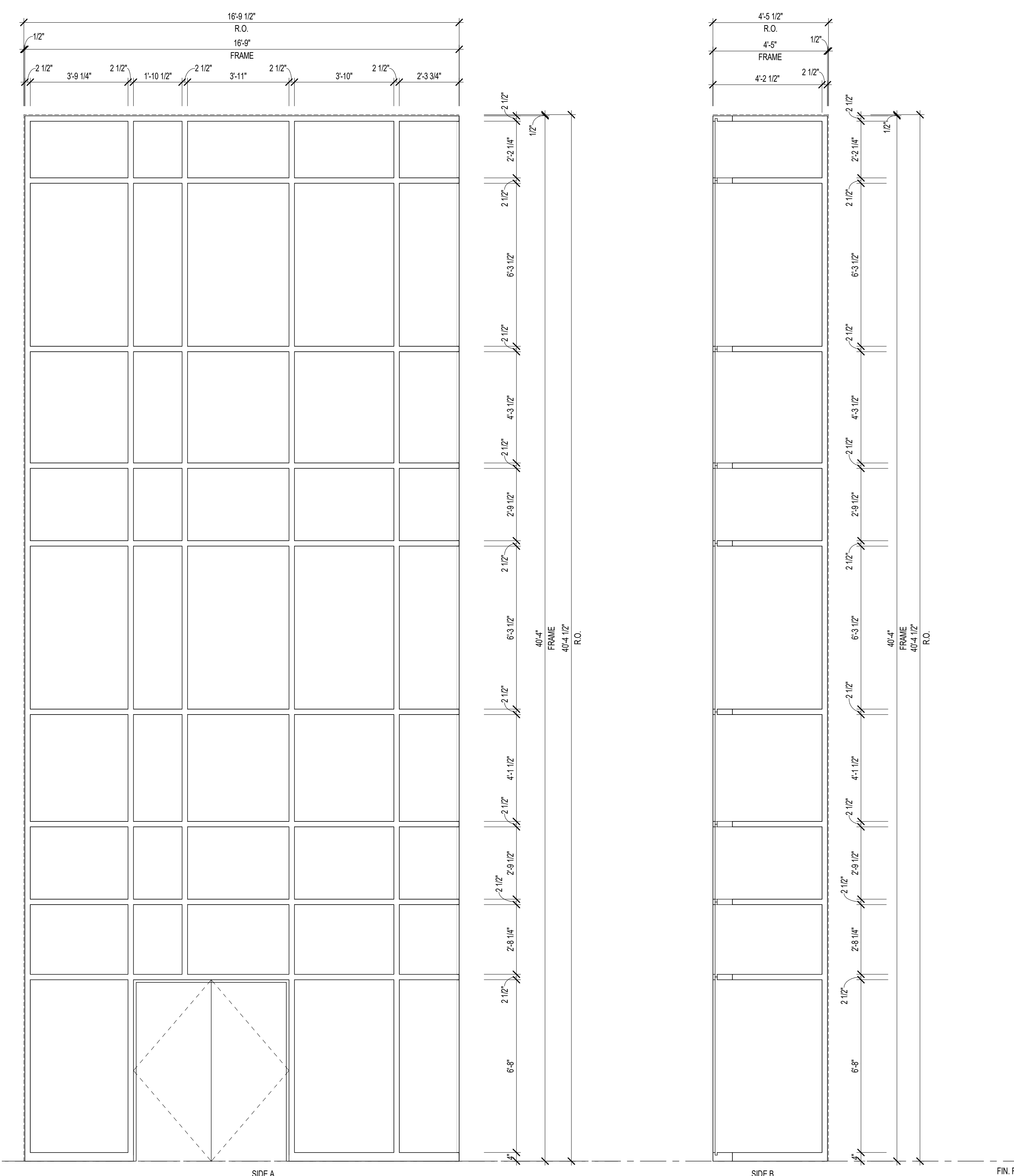
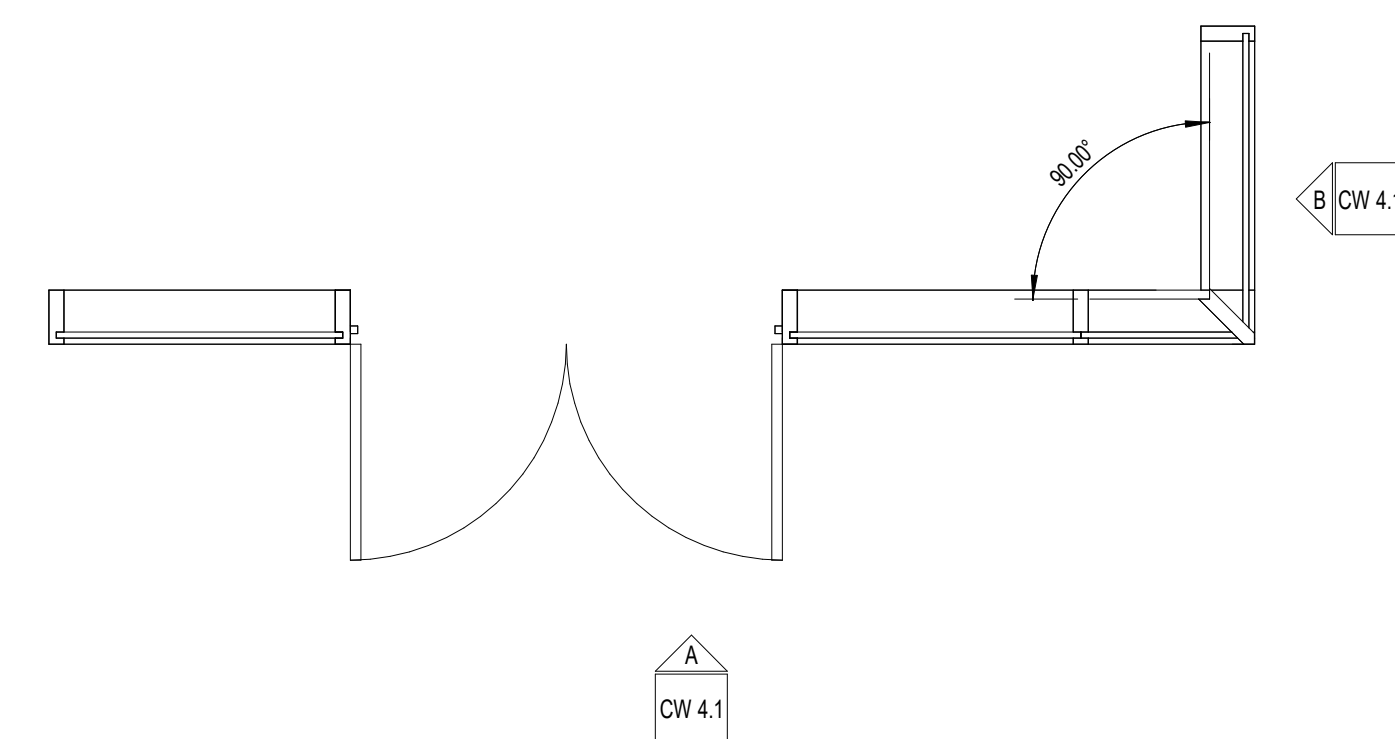
REVIEWED BY: CHR / KK

SCALE: AS INDICATED | DRAWING NUMBER:

JOB NO.: 2202.02

DATE: OCTOBER 13, 2023

A6.30A



CW1.1 CURTAINWALL FRAME TYPE CW1.1

1 EXTERIOR CURTAINWALL TYPES - ENTRIES
3/8" = 1'-0"

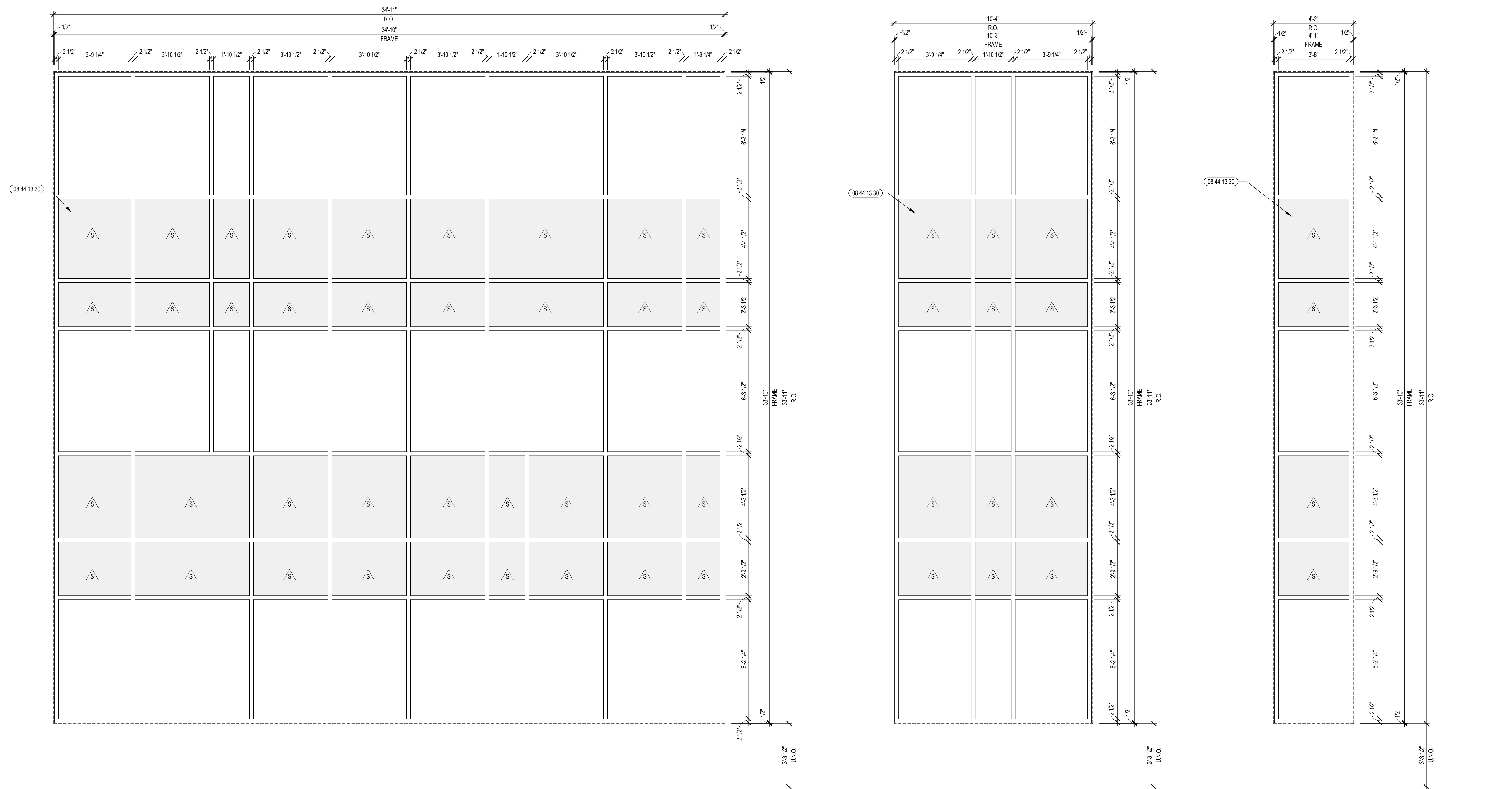


CENTRAL FALLS HIGH SCHOOL
10 HIGGINSON AVE, CENTRAL FALLS, RI

KEYNOTE LEGEND:

08 44 13.30 SPANDREL GLASS

Copyright © 2023, A3 Architects, Inc.



CW12.1 CURTAINWALL TYPE CW12.1

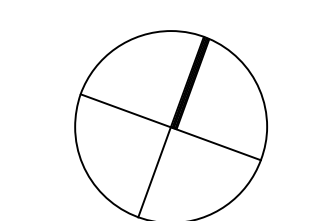
CW11.1 CURTAINWALL TYPE CW11.1

CW10.1 CURTAINWALL TYPE CW10.1

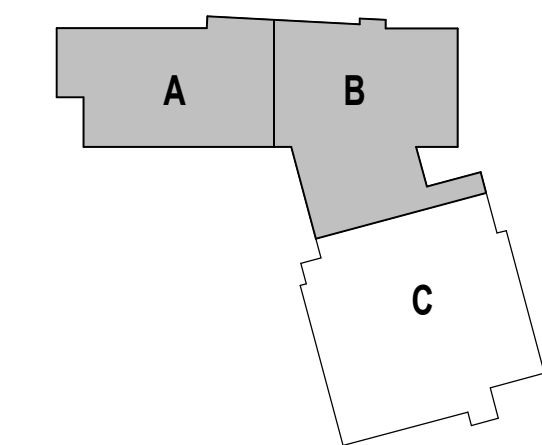
1 EXTERIOR CURTAINWALL TYPES
3/8" = 1'-0"

100% CONSTRUCTION DOCUMENTS

KEY PLAN NORTH ARROW



KEYPLAN



DRAWING NAME:

**CURTAINWALL
TYPES**

DRAWN BY: BFC

REVIEWED BY: CHR / KK

SCALE: AS INDICATED | DRAWING NUMBER:

JOB NO.: 2202.02

DATE: OCTOBER 13, 2023

A6.30B

FIN. FLR.



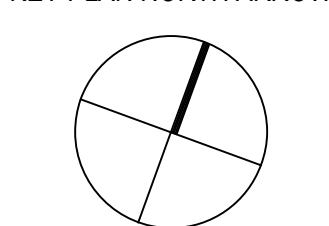
CENTRAL FALLS HIGH SCHOOL
10 HIGGINSON AVE, CENTRAL FALLS, RI

KEYNOTE LEGEND:

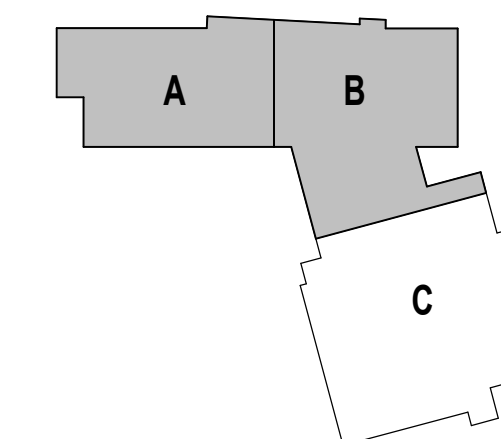
08 44 13 30 SPANDREL GLASS

100% CONSTRUCTION DOCUMENTS

KEY PLAN NORTH ARROW



KEYPLAN



DRAWING NAME:

CURTAINWALL TYPES

DRAWN BY: BFC

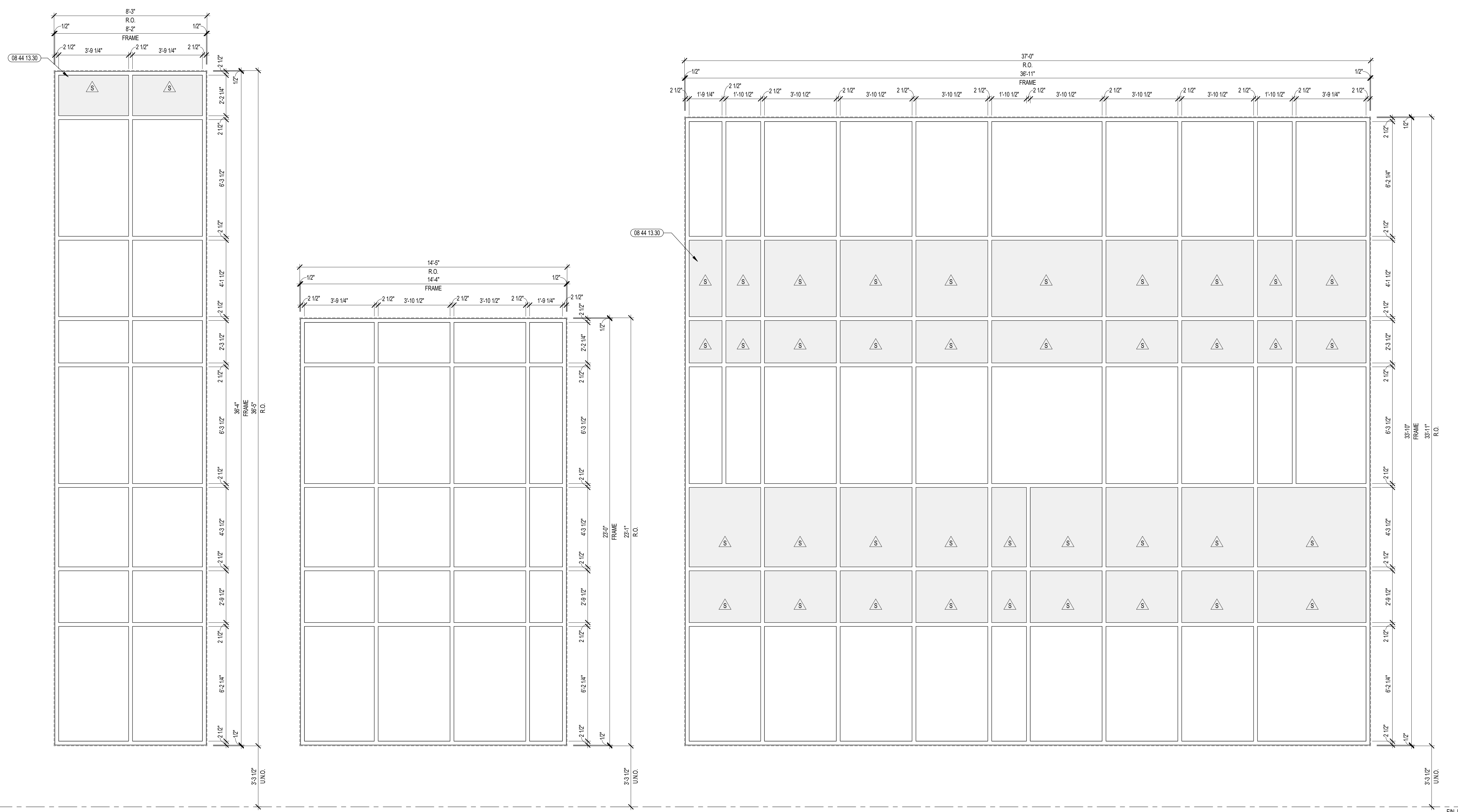
REVIEWED BY: CHR / KK

SCALE: AS INDICATED | DRAWING NUMBER:

JOB NO.: 2202.02

DATE: OCTOBER 13, 2023

A6.30C

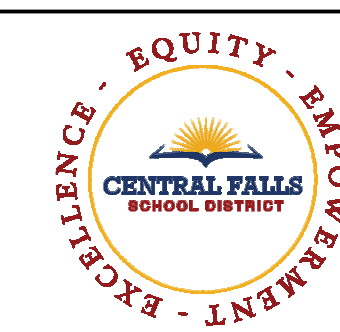


CW15.1 CURTAINWALL TYPE CW15.1

CW14.1 CURTAINWALL TYPE CW14.1

CW13.1 CURTAINWALL TYPE CW13.1

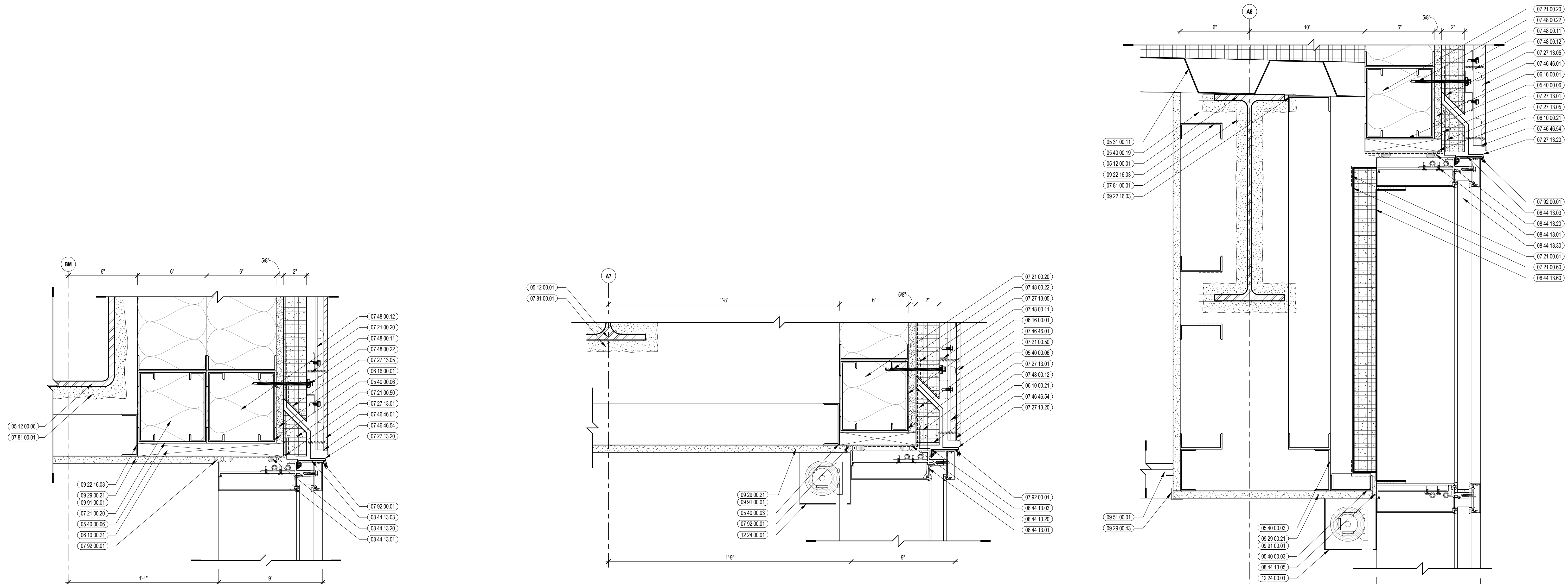
1 EXTERIOR CURTAINWALL TYPES
3/8" = 1'-0"



CENTRAL FALLS HIGH SCHOOL
10 HIGGINSON AVE, CENTRAL FALLS, RI

KEYNOTE LEGEND:

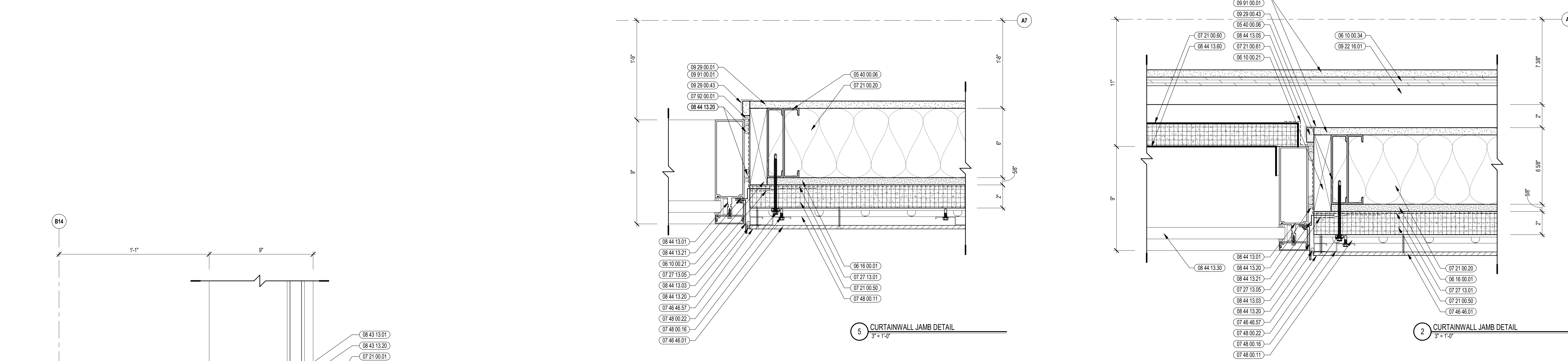
- 03 30 00.02 CONCRETE SLAB ON GRADE - SEE STRUCTURAL
- 03 30 00.05 CONCRETE FOUNDATION - SEE STRUCTURAL
- 03 30 00.11 EXPANDABLE JOINT FILLER
- 05 12 00.01 STEEL BEAM - SEE STRUCTURAL
- 05 12 00.06 STEEL TUBE - SEE STRUCTURAL
- 05 31 00.11 STEEL ROOF BECK - 3 INCH GALVANIZED - SEE STRUCTURAL
- 05 40 00.03 STEEL STUDS - 3/8 INCH - 16 INCHES O.C. MAX
- 05 40 00.06 STEEL STUDS - 8 INCH - 16 INCHES O.C. MAX
- 05 40 00.19 STEEL Z.C.P. - 18 GAGE MIN. - 1 INCH MIN. DEPTH - 16 INCHES O.C. MAX
- 06 10 00.21 WOOD BLOCKING - (2X) FIRE RETARDANT TREATED - SIZE AS NOTED OR DRAWN
- 06 10 00.34 PLYWOOD - 5/8 INCH
- 06 16 00.01 GYPSUM EXTERIOR SHEATHING - 5/8 INCH
- 06 20 00.04 HARDWOOD TRIM - BULLNOSE - TRANSPARENT FINISH
- 07 21 00.01 RIGID INSULATION - 2 INCH - FOUNDATION ONLY
- 07 21 00.02 RIGID INSULATION - 2 INCH - UNDER SLAB - HIGH COMPRESSIVE STRENGTH
- 07 21 00.20 GLASS FIBER BLANKET INSULATION - MATCH DEPTH OF STUD - UNFACED
- 07 21 00.50 MINERAL WOOL INSULATION - RIGID - EXTERIOR - 2 INCH
- 07 21 00.60 MINERAL WOOL INSULATION - FOL-FACED
- 07 21 00.61 FOIL SCROLL AND KRAFT TAPE
- 07 26 00.01 VAPOR RETARDER - UNDER SLAB
- 07 27 13.01 AIRVAPOR BARRIER MEMBRANE - SELF-ADHERING
- 07 27 13.05 AIRVAPOR BARRIER TRANSITION MEMBRANE - SELF-ADHERING
- 07 27 13.20 WATERPROOF MEMBRANE FLASHING
- 07 27 13.21 MINERAL FIBER CEMENT PANEL - REFERENCE ELEVATIONS FOR COLOR
- 07 46 46.54 SEALANT - TYPE AS REQUIRED
- 07 46 46.57 HORIZONTAL Z TRIM
- 07 46 46.57 J MOLD TRIM
- 07 48 00.11 HORIZONTAL GRIT - REFER TO SHOP DRAWINGS FOR SIZE
- 07 48 00.12 VERTICAL PANEL RAIL - REFER TO SHOP DRAWINGS FOR SIZE
- 07 48 00.16 VERTICAL TERMINATION GRIT - REFER TO SHOP DRAWINGS FOR SIZE
- 07 48 00.22 STAINLESS STEEL SELF-DRILLING SCREW WITH THERMAL SOLUTION
- 07 81 00.01 CEMENTITIOUS FIREPROOFING
- 07 92 00.01 JOINT SEALANT - TYPE AS REQUIRED
- 08 43 13.01 ALUMINUM STOREFRONT FRAME
- 08 43 13.20 SEALANT & BACKER ROD
- 08 44 13.01 ALUMINUM CURTAIN WALL FRAME
- 08 44 13.03 PREFINISHED ALUMINUM FLASHING
- 08 44 13.05 PERIMETER SEALANT
- 08 44 13.20 SEALANT & BACKER ROD
- 08 44 13.21 SILICONE SHEET MEMBRANE - GLAZE INTO SYSTEM - CONTINUOUS BEAD OF SEALANT TO SEAL TO RIB
- 08 44 13.30 SPANDREL GLASS
- 08 44 13.60 STEEL BACK PAN
- 09 22 16.01 METAL STUD - 1/8 INCH - 16 INCHES O.C. MAX
- 09 22 16.03 METAL STUD - 3/8 INCH - 16 INCHES O.C. MAX
- 09 29 00.01 5/8 INCH GYPSUM BOARD - LEVEL 4 FINISH - 1 LAYER
- 09 29 00.21 5/8 INCH GYPSUM BOARD - LEVEL 4 FINISH - SAG-RESISTANT
- 09 29 00.43 CORNER BEAD
- 09 29 00.99 GYPSUM BOARD SYSTEM - LEVEL 4 FINISH - REFER TO FLOOR PLANS AND WALL TYPES FOR COMPONENTS



8 CURTAINWALL HEAD DETAIL
3" = 1'-0"

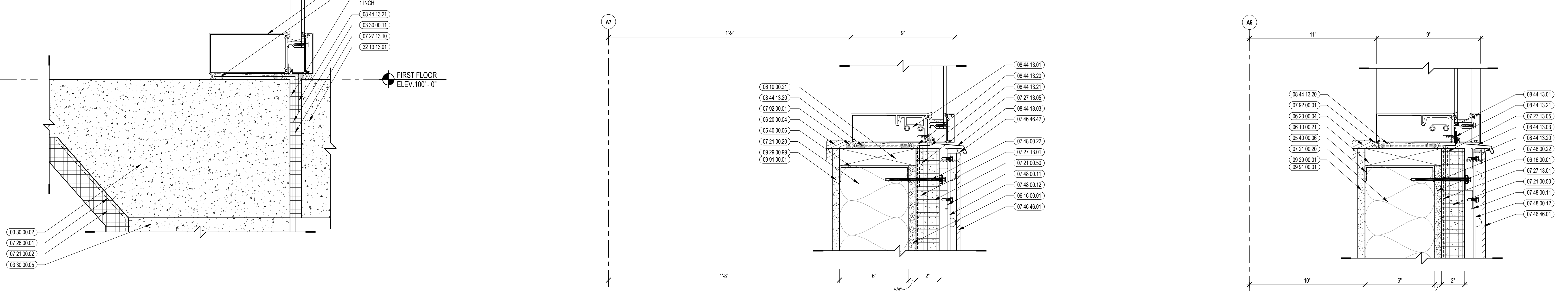
6 CURTAINWALL HEAD DETAIL
3" = 1'-0"

3 CURTAINWALL HEAD DETAIL
3" = 1'-0"



5 CURTAINWALL JAMB DETAIL
3" = 1'-0"

2 CURTAINWALL JAMB DETAIL
3" = 1'-0"



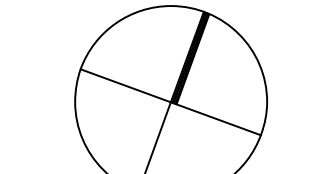
7 CURTAINWALL SILL DETAIL
3" = 1'-0"

4 CURTAINWALL SILL DETAIL
3" = 1'-0"

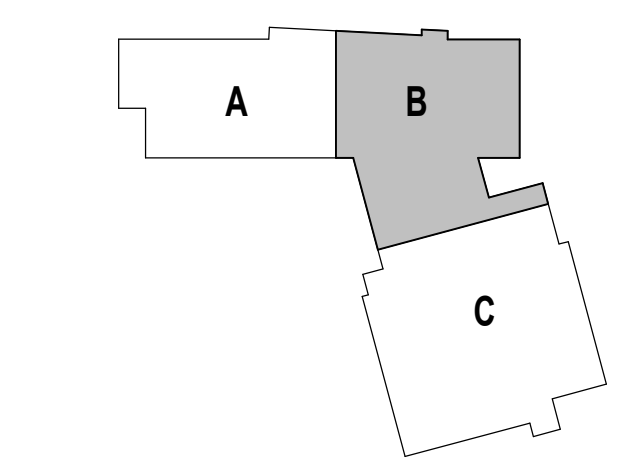
1 CURTAINWALL SILL DETAIL
3" = 1'-0"

100% CONSTRUCTION DOCUMENTS

KEY PLAN NORTH ARROW



KEYPLAN



DRAWING NAME:

CURTAINWALL DETAILS

DRAWN BY: BFC

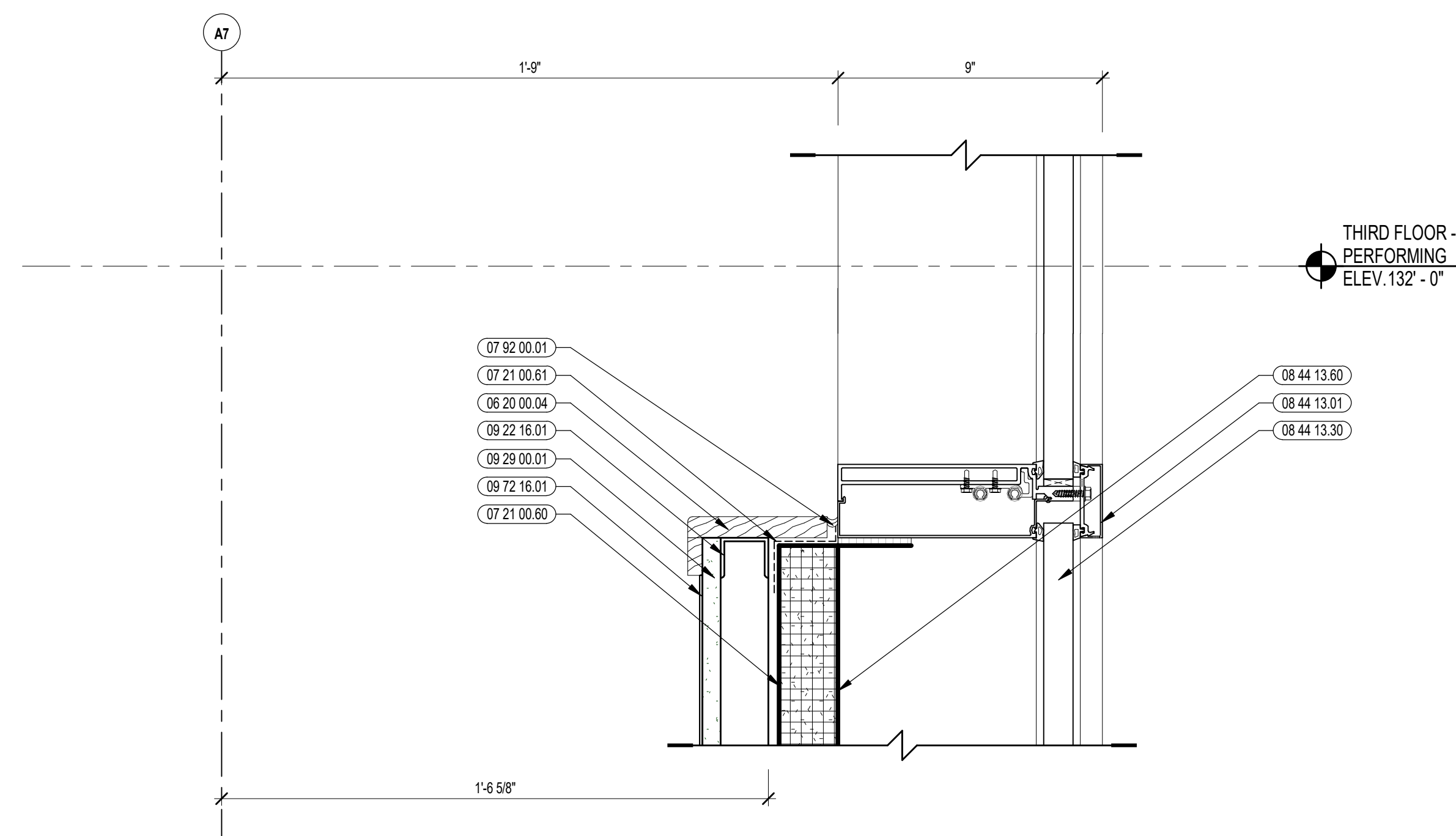
REVIEWED BY: CHR / KK

SCALE: AS INDICATED | DRAWING NUMBER:

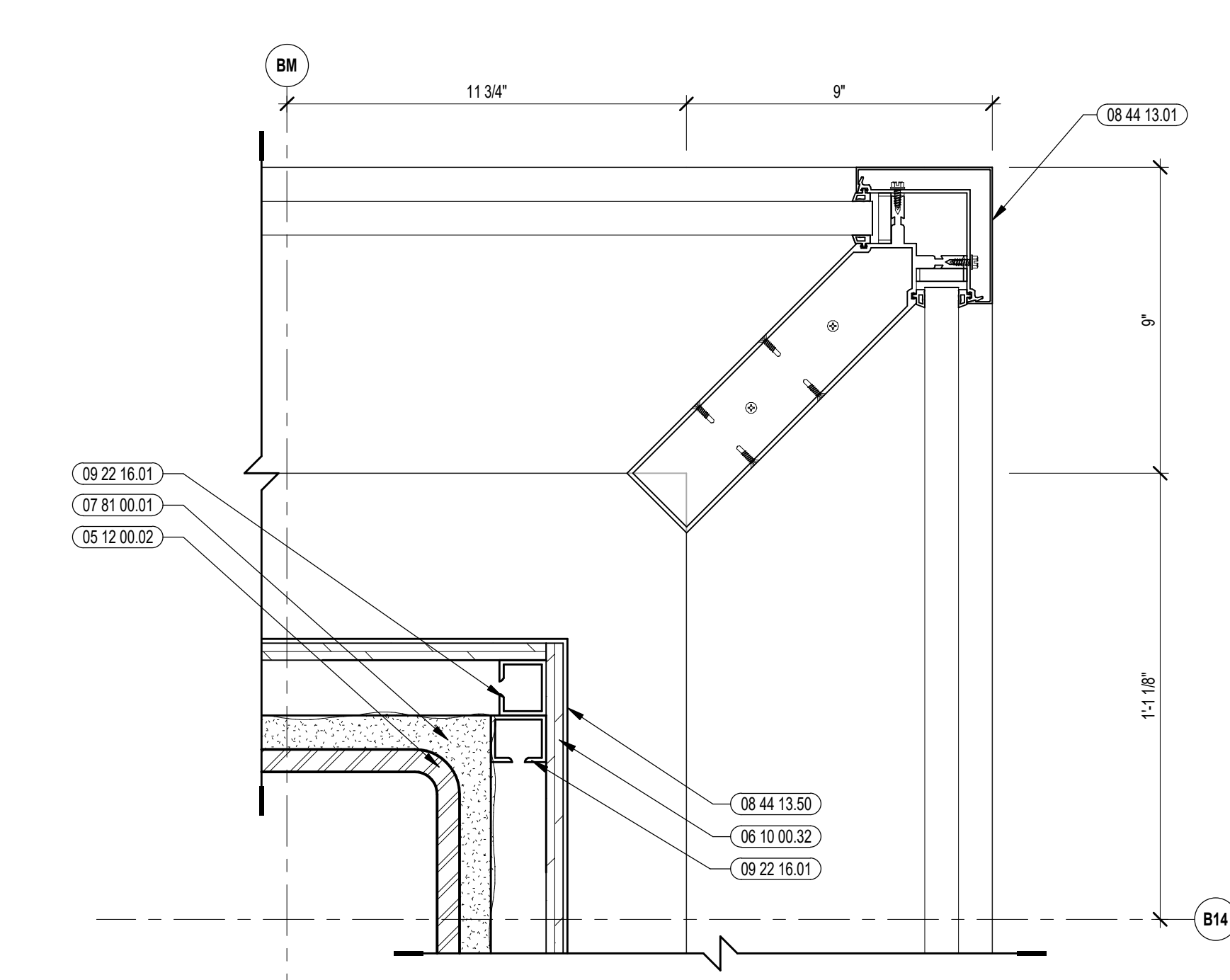
JOB NO.: 2202.02

DATE: OCTOBER 13, 2023

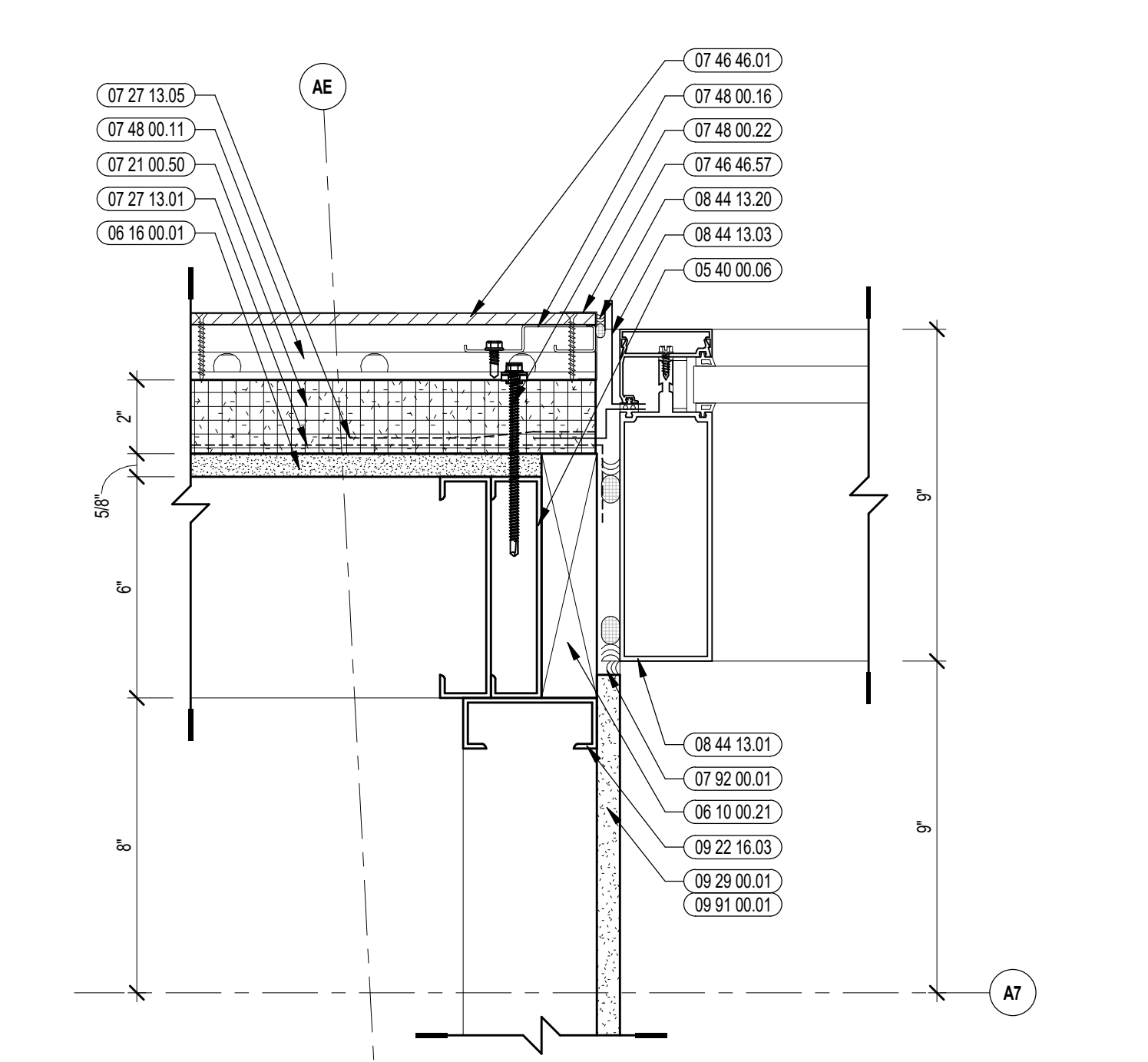
A6.31



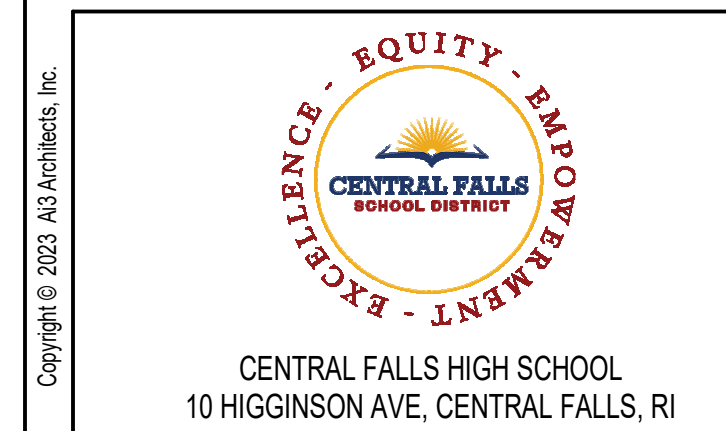
3 CURTAINWALL SILL DETAIL
3" = 1'-0"



2 CURTAINWALL CORNER DETAIL
3" = 1'-0"



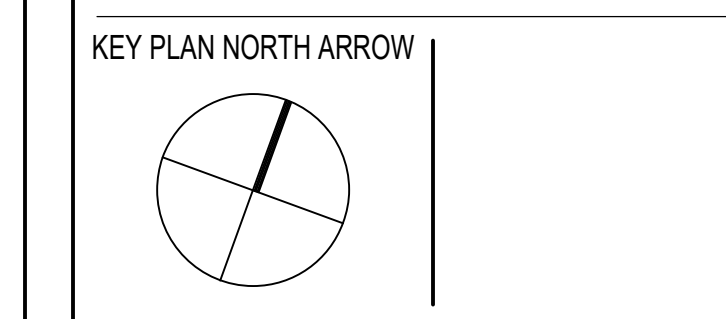
1 CURTAINWALL JAMB DETAIL
3" = 1'-0"



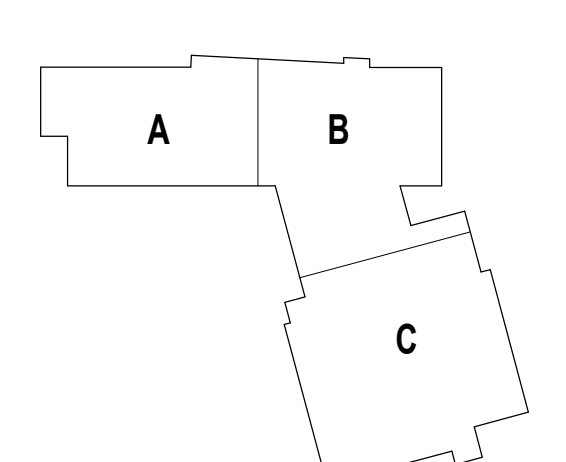
KEYNOTE LEGEND:

- 05 10 00.02 STEEL COLUMN - SEE STRUCTURAL
- 06 40 00.06 STEEL STUDS - 6 INCH - 16 INCHES O.C. MAX
- 06 10 00.21 WOOD BLOCKING - (2X) FPE RETARDANT TREATED - SIZE AS NOTED OR DRAWN
- 08 10 00.32 PLYWOOD - 1/2 INCH
- 08 16 00.01 GYPSUM EXTERIOR SHEATHING - 5/8 INCH
- 08 20 00.04 HARDWOOD TRIM - BULLNOSE - TRANSPARENT FINISH
- 07 21 00.50 MINERAL WOOL INSULATION - RIGID - EXTERIOR - 2 INCH
- 07 21 00.60 MINERAL WOOL INSULATION - FOL-FACED
- 07 21 00.61 FOIL, SCRM. AND KRAFT TAPE
- 07 27 13.01 AIRVAPOR BARRIER MEMBRANE - SELF-ADHERING
- 07 27 13.05 AIRVAPOR BARRIER TRANSITION MEMBRANE - SELF-ADHERING
- 07 46 46.01 MINERAL FIBER CEMENT PANEL - REFERENCE ELEVATIONS FOR COLOR
- 07 46 46.57 J MOLD TRIM
- 07 48 00.11 HORIZONTAL GRIT - REFER TO SHOP DRAWINGS FOR SIZE
- 07 48 00.16 VERTICAL TERMINATION GRIT - REFER TO SHOP DRAWINGS FOR SIZE
- 07 48 00.22 STAINLESS STEEL SELF-DRILLING SCREW WITH THERMAL ISOLATION
- 07 81 00.01 CEMENTITIOUS FIREPROOFING
- 07 92 00.01 JOINT SEALANT - TYPE AS REQUIRED
- 08 44 13.01 ALUMINUM CURTAIN WALL FRAME
- 08 44 13.03 PREFINISHED ALUMINUM FLASHING
- 08 44 13.20 SEALANT & BACKER ROD
- 08 44 13.30 SPANREL GLASS
- 08 44 13.50 ALUMINUM BREAK METAL - 0.090 THICK MIN. - CUSTOM COLOR TO MATCH CURTAIN WALL FRAMING
- 08 44 13.50 STEEL BACK PAN
- 09 22 16.01 METAL STUD - 5/8 INCH - 16 INCHES O.C. MAX
- 09 22 16.03 METAL STUD - 3/8 INCH - 16 INCHES O.C. MAX
- 09 29 00.01 5/8 INCH GYPSUM BOARD - LEVEL 4 FINISH - 1 LAYER
- 09 72 16.01 VINYL WALL CLADDING - REFERENCE ELEVATIONS FOR TYPE
- 09 91 00.01 PAINT - SEE SCHEDULE

100% CONSTRUCTION DOCUMENTS



KEYPLAN



DRAWING NAME:

CURTAINWALL DETAILS

DRAWN BY: MS / BFC
 REVIEWED BY: CHR / KK
 SCALE: AS INDICATED | DRAWING NUMBER:
 JOB NO.: 2202.02
 DATE: OCTOBER 13, 2023 **A6.32**

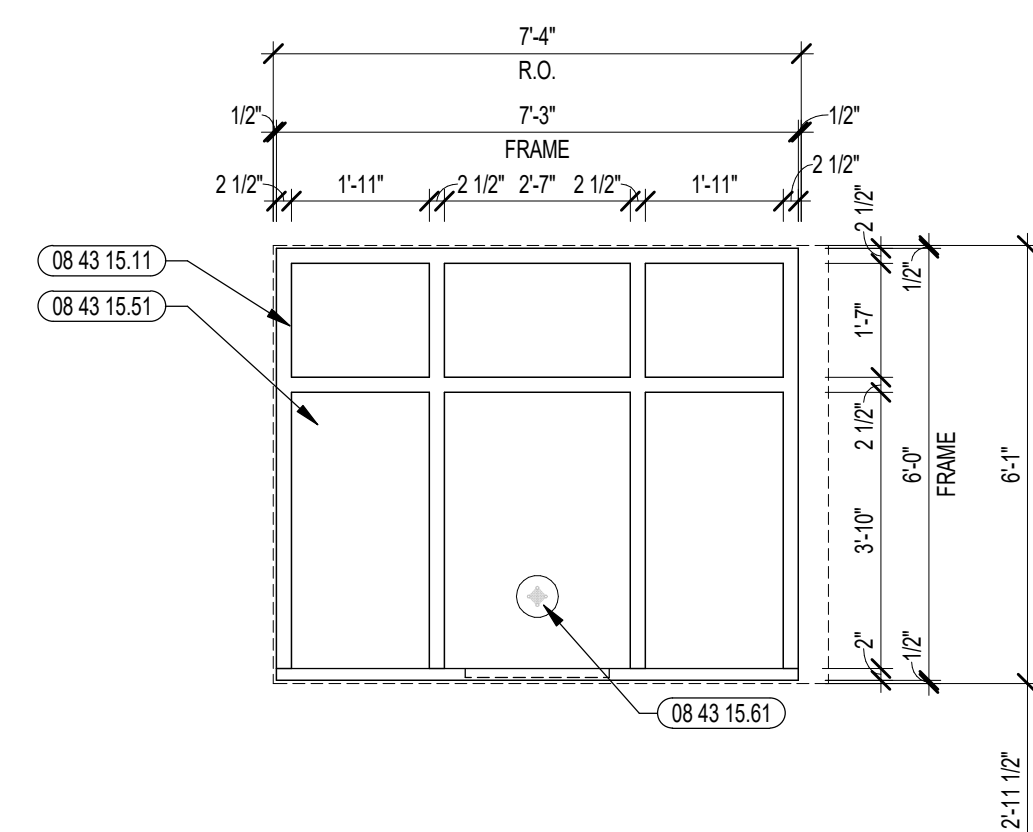


CENTRAL FALLS HIGH SCHOOL
10 HIGGINSON AVE, CENTRAL FALLS, RI

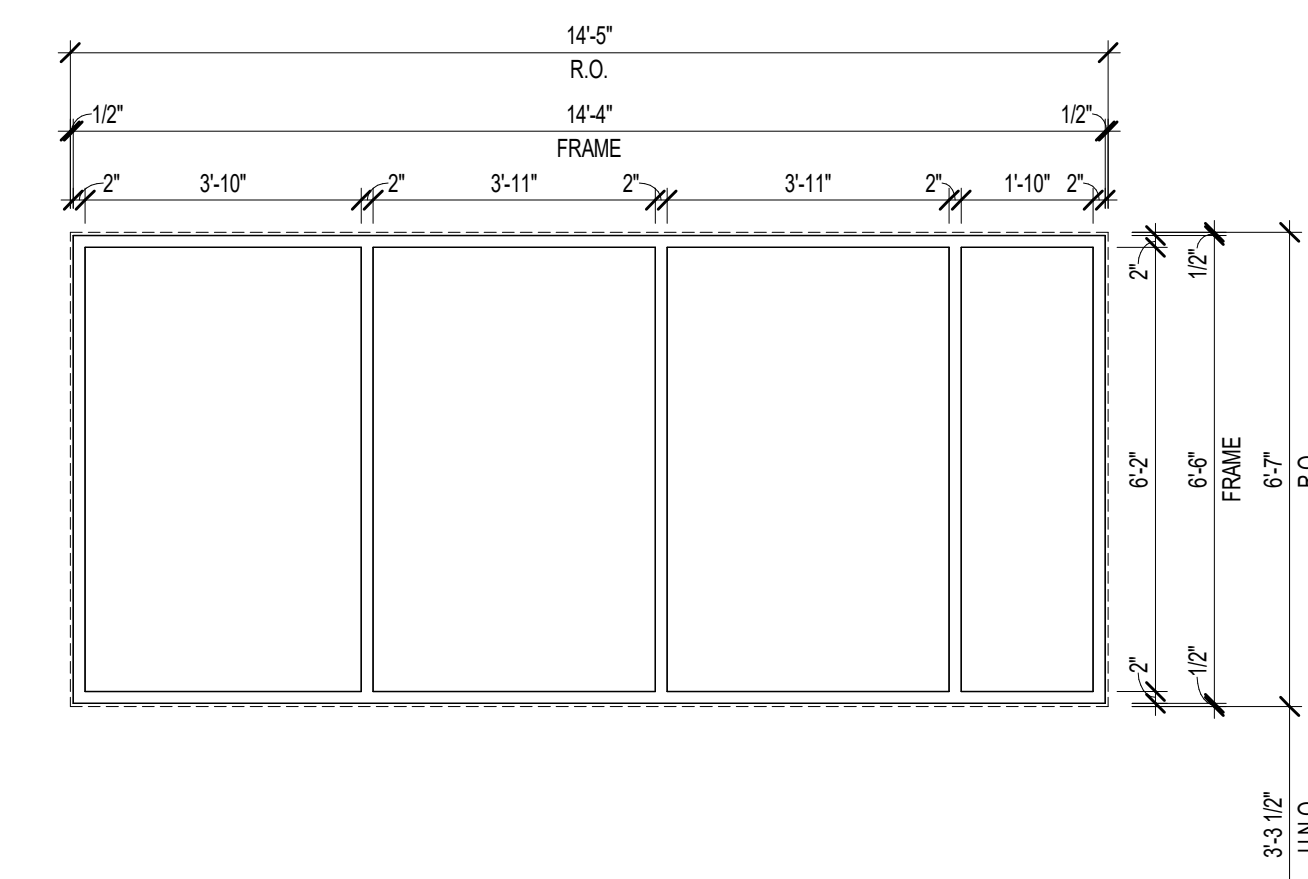
Copyright © 2023 A3Architects, Inc.

KEYNOTE LEGEND:

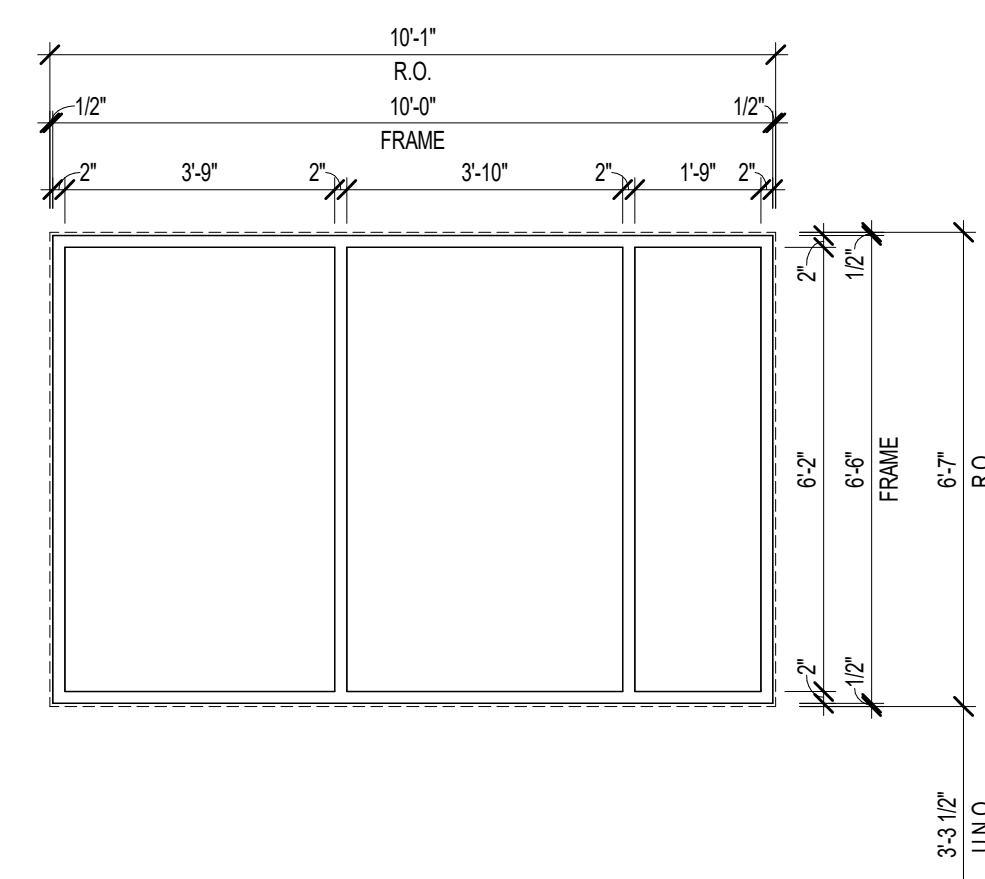
- 08 43 15 11 BULLET-RESISTANT ALUMINUM STOREFRONT FRAME
- 08 43 15 51 BULLET-RESISTANT GLASS - LEVEL 5
- 08 43 15 61 BULLET-RESISTANT TWO-WAY COMMUNICATOR



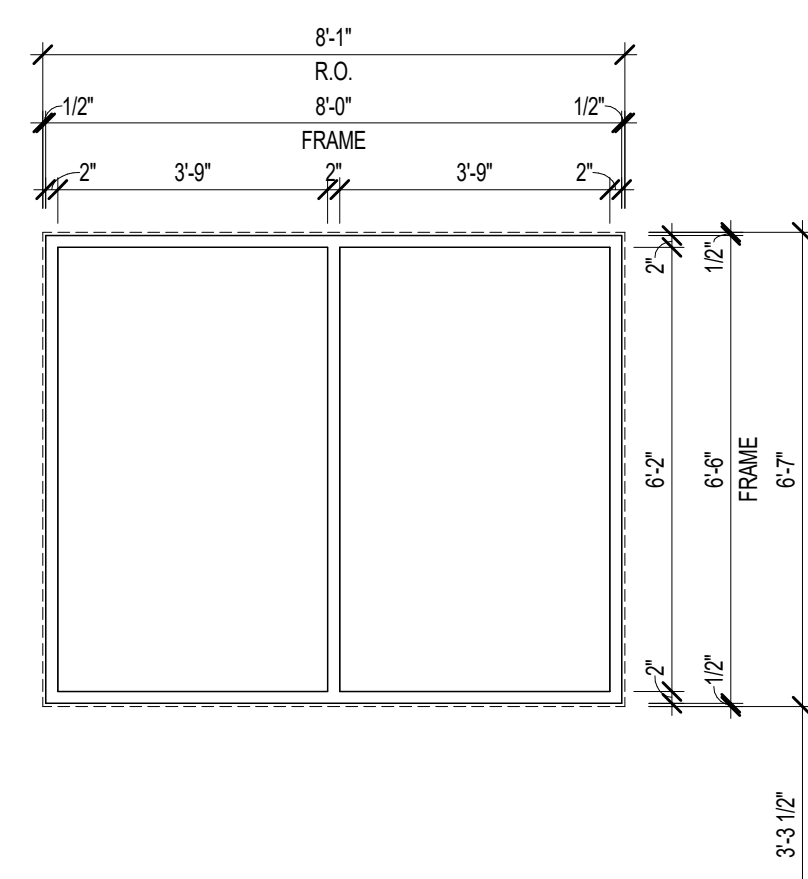
(SF18.0) STOREFRONT TYPE ISF18.01



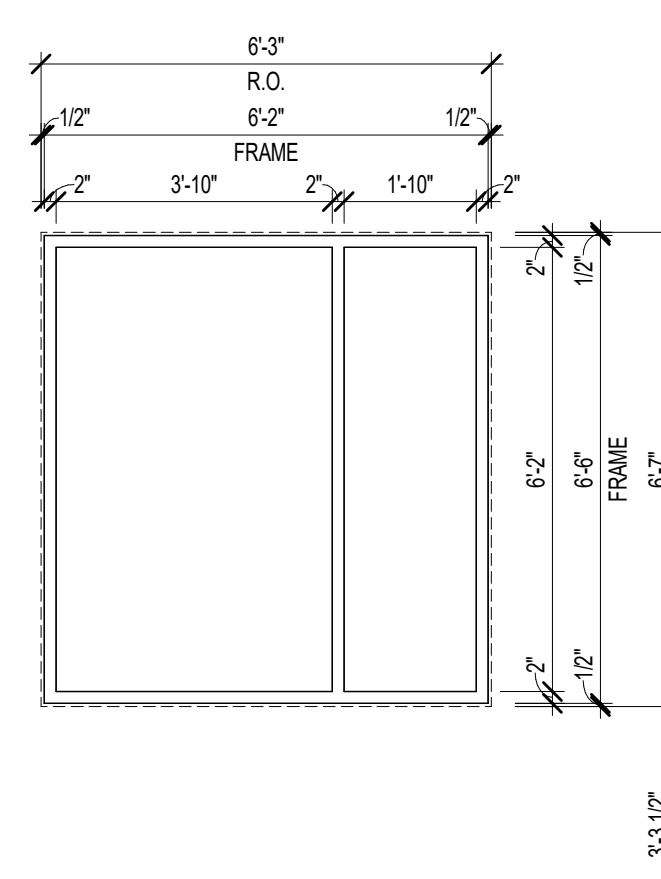
(SF16.0) STOREFRONT TYPE ISF16.01



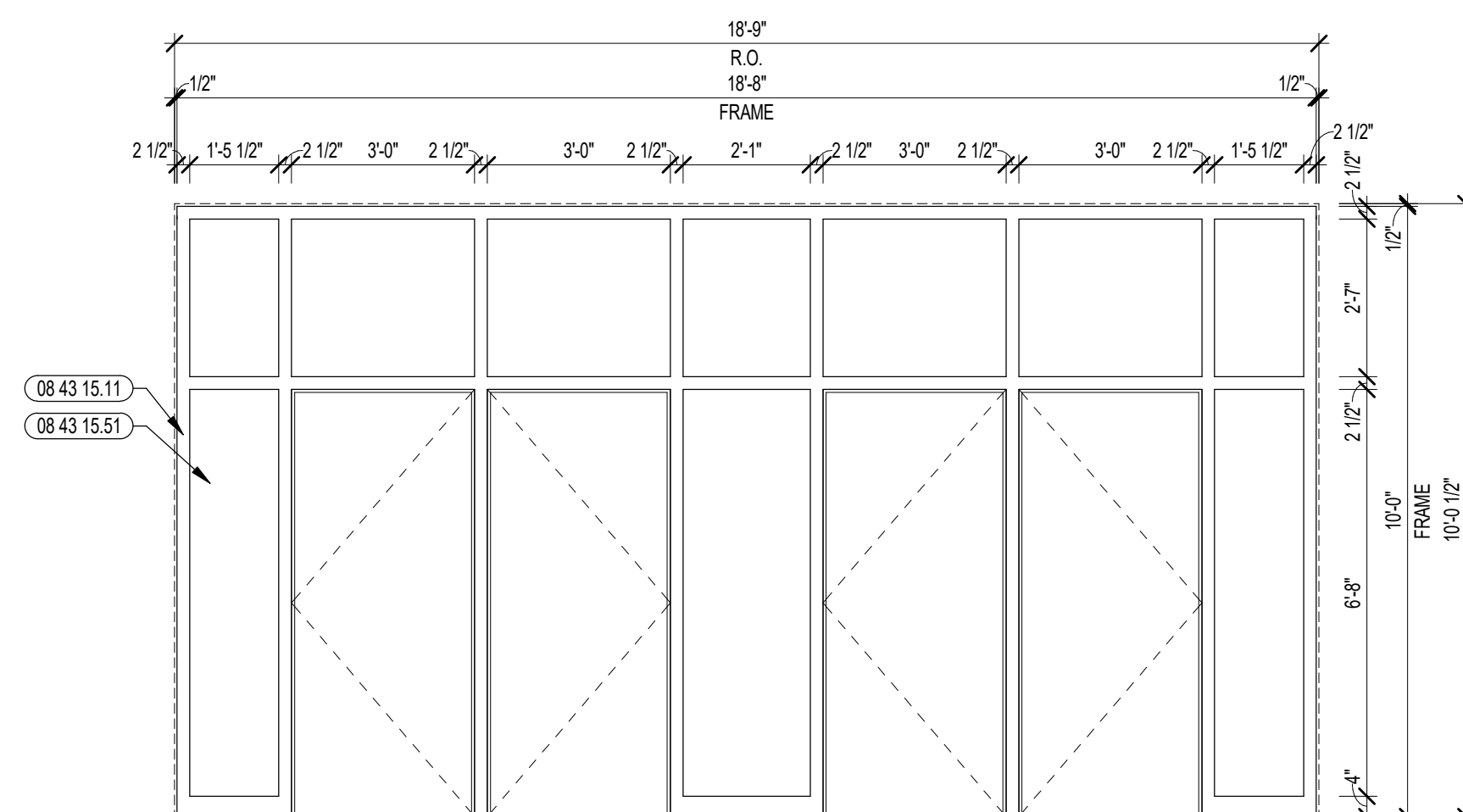
(SF15.02) STOREFRONT TYPE ISF15.02



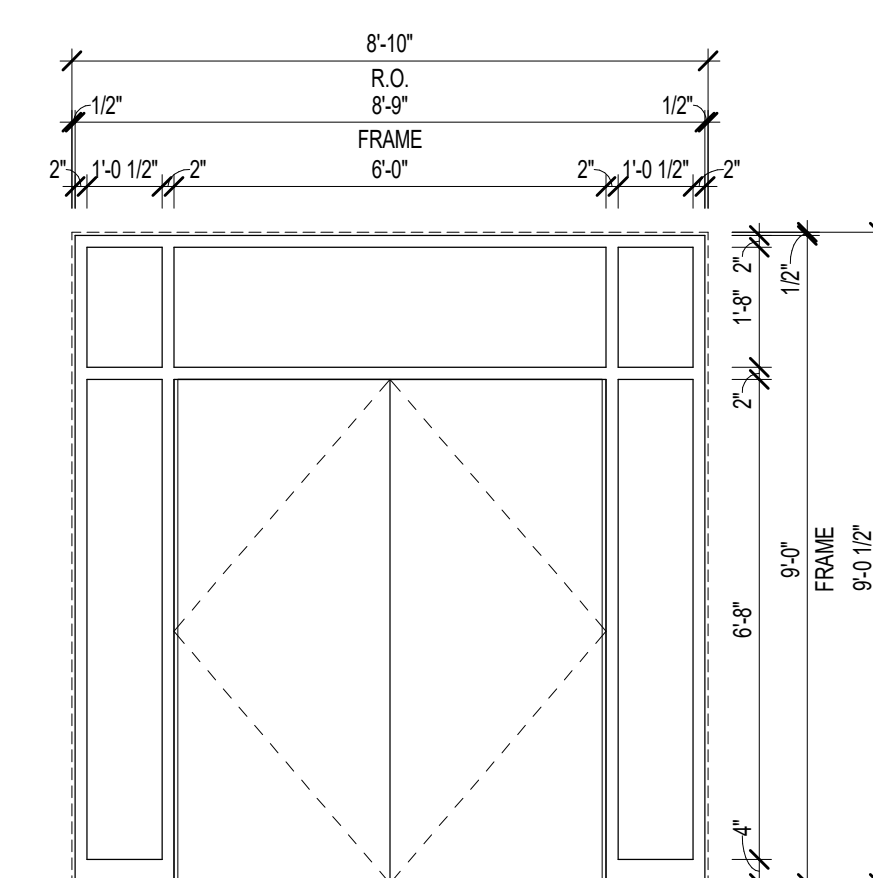
(SF13.03) STOREFRONT TYPE ISF13.03



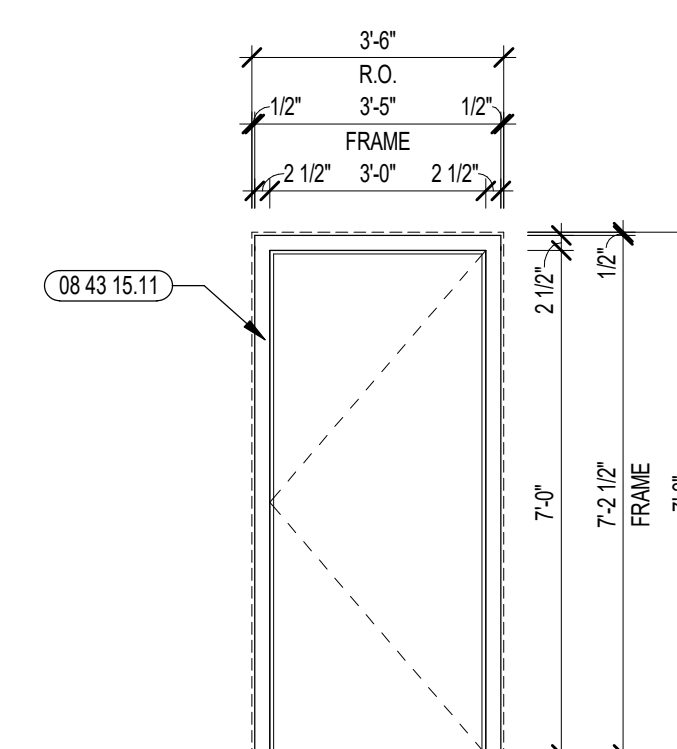
(SF13.02) STOREFRONT TYPE ISF13.02



(SF4.0) STOREFRONT FRAME TYPE ISF4.01



(SF2.0) STOREFRONT FRAME TYPE ISF2.01



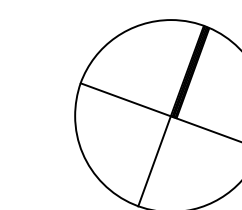
(SF1.0) STOREFRONT FRAME TYPE ISF1.01

1 INTERIOR STOREFRONT TYPES - DOORS
3/8" = 1'-0"

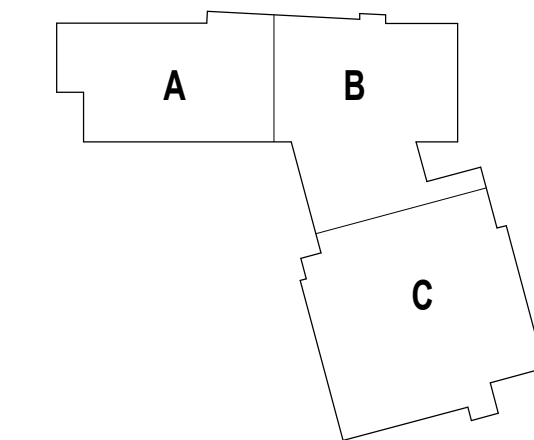
2 INTERIOR STOREFRONT TYPES - WINDOWS
3/8" = 1'-0"

100% CONSTRUCTION DOCUMENTS

KEY PLAN NORTH ARROW



KEYPLAN



DRAWING NAME:

INTERIOR STOREFRONT TYPES - DOORS & WINDOWS

DRAWN BY: BFC / CHR

REVIEWED BY: CHR / KK

SCALE: AS INDICATED | DRAWING NUMBER:

JOB NO.: 2202.02

DATE: OCTOBER 13, 2023

A6.40A



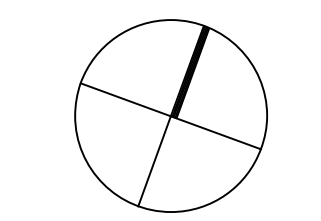
CENTRAL FALLS HIGH SCHOOL
10 HIGGINSON AVE, CENTRAL FALLS, RI

KEYNOTE LEGEND:

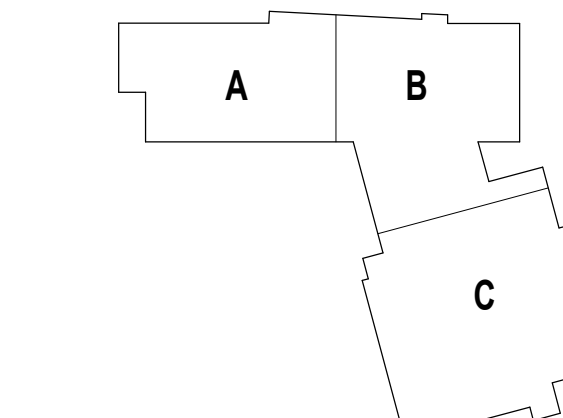
- 03 30 00.02 CONCRETE SLAB ON GRADE - SEE STRUCTURAL
- 03 30 00.03 CONCRETE SLAB ON DECK - SEE STRUCTURAL
- 05 40 00.40 DOUBLE STUD AT JAMB - SIZE AS REQUIRED
- 05 40 00.41 STEEL STUD & TRACK - BOXED HEADER
- 05 50 00.41 STEEL PLATE - 1/4 INCH THICK - SIZE AS NOTED OR DRAWN
- 06 10 00.23 WOOD BLOCKING - FIRE RETARDANT TREATED - SIZE AS NOTED OR DRAWN
- 06 20 00.03 HARDWOOD TRIM - EASED EDGE 1/4 INCH RADIUS - TRANSPARENT FINISH
- 06 20 00.04 HARDWOOD TRIM - BULLNOSE - TRANSPARENT FINISH
- 06 20 00.18 STAINLESS STEEL BOLTS - NUTS AND WASHERS - 1/2 INCH DIA
- 06 20 00.23 HARDWOOD TRIM - 3/4 INCH - TRANSPARENT FINISH
- 06 20 00.42 PLYWOOD - 5/8 INCH
- 06 20 00.71 GROMMET - 3 INCH - PLASTIC
- 06 20 00.72 WIRE MANAGEMENT HOOKS - 12 INCHES O.C. - UNDER COUNTER
- 06 20 00.73 STEEL UNDER COUNTER SUPPORT BRACKET - SIZE AS NOTED OR DRAWN
- 06 20 00.81 PLASTIC LAMINATE - TYPE 1
- 06 20 00.89 PLASTIC LAMINATE BACKSPASH - HEIGHT AS NOTED
- 06 20 00.99 WOOD BLOCKING - SIZE AS NOTED OR DRAWN
- 07 21 00.02 RIGID INSULATION - 2 INCH - UNDER SLAB - HIGH COMPRESSIVE STRENGTH
- 07 21 00.22 GLASS FIBER ACOUSTICAL BLANKET INSULATION - MATCH DEPTH OF STUD - UNFACED
- 07 28 00.01 VAPOR RETARDER - UNDER SLAB
- 07 92 00.01 JOINT SEALANT - TYPE AS REQUIRED
- 08 43 13.01 ALUMINUM STOREFRONT FRAME
- 08 43 13.20 SEALANT & BACKER ROD
- 08 43 15.11 BULLET-RESISTANT ALUMINUM STOREFRONT FRAME
- 08 43 15.12 BULLET-RESISTANT ALUMINUM ENTRANCE DOOR
- 08 43 15.51 BULLET-RESISTANT GLASS - LEVEL 5
- 08 43 15.61 BULLET-RESISTANT TWO-WAY COMMUNICATOR
- 08 43 15.71 BACKER ROD & SEALANT
- 09 22 16.03 METAL STUD 3-5/8 INCH - 16 INCHES O.C. MAX
- 09 22 16.06 METAL STUD 6 INCH - 16 INCHES O.C. MAX
- 09 22 16.20 METAL STUD - REFER TO FLOOR PLANS FOR DEPTH
- 09 22 16.31 BOXED HEADER
- 09 22 16.52 DOUBLE STUD JAMB - SIZE AS REQUIRED
- 09 29 00.01 5/8 INCH GYPSUM BOARD - LEVEL 4 FINISH - 1 LAYER
- 09 29 00.02 5/8 INCH GYPSUM BOARD - LEVEL 4 FINISH - 2 LAYERS
- 09 29 00.11 5/8 INCH PLYWOOD - FIRE RETARDANT TREATED
- 09 29 00.21 5/8 INCH GYPSUM BOARD - LEVEL 4 FINISH - SAG-RESISTANT
- 09 29 00.31 5/8 INCH GYPSUM BOARD - LEVEL 4 FINISH - IMPACT RESISTANT
- 09 29 00.43 CORNER BEAD
- 09 72 16.01 VINYL WALL CLADDING - REFERENCE ELEVATIONS FOR TYPE
- 09 91 00.01 PAINT - SEE SCHEDULE
- 10 28 41.01 BULLET RESISTANT PANEL - LEVEL 4 - UL 752
- 12 24 00.01 ROLLER SHADE
- 12 48 13.01 RECESSED ENTRANCE MAT - REFERENCE DRAWINGS FOR SIZE
- 12 48 13.05 EXTRUDED ALUMINUM RECESSED FRAMING - 2 SHAPE

100% CONSTRUCTION DOCUMENTS

KEY PLAN NORTH ARROW



KEYPLAN



DRAWING NAME:

INTERIOR STOREFRONT DETAILS

DRAWN BY: BFC / CHR

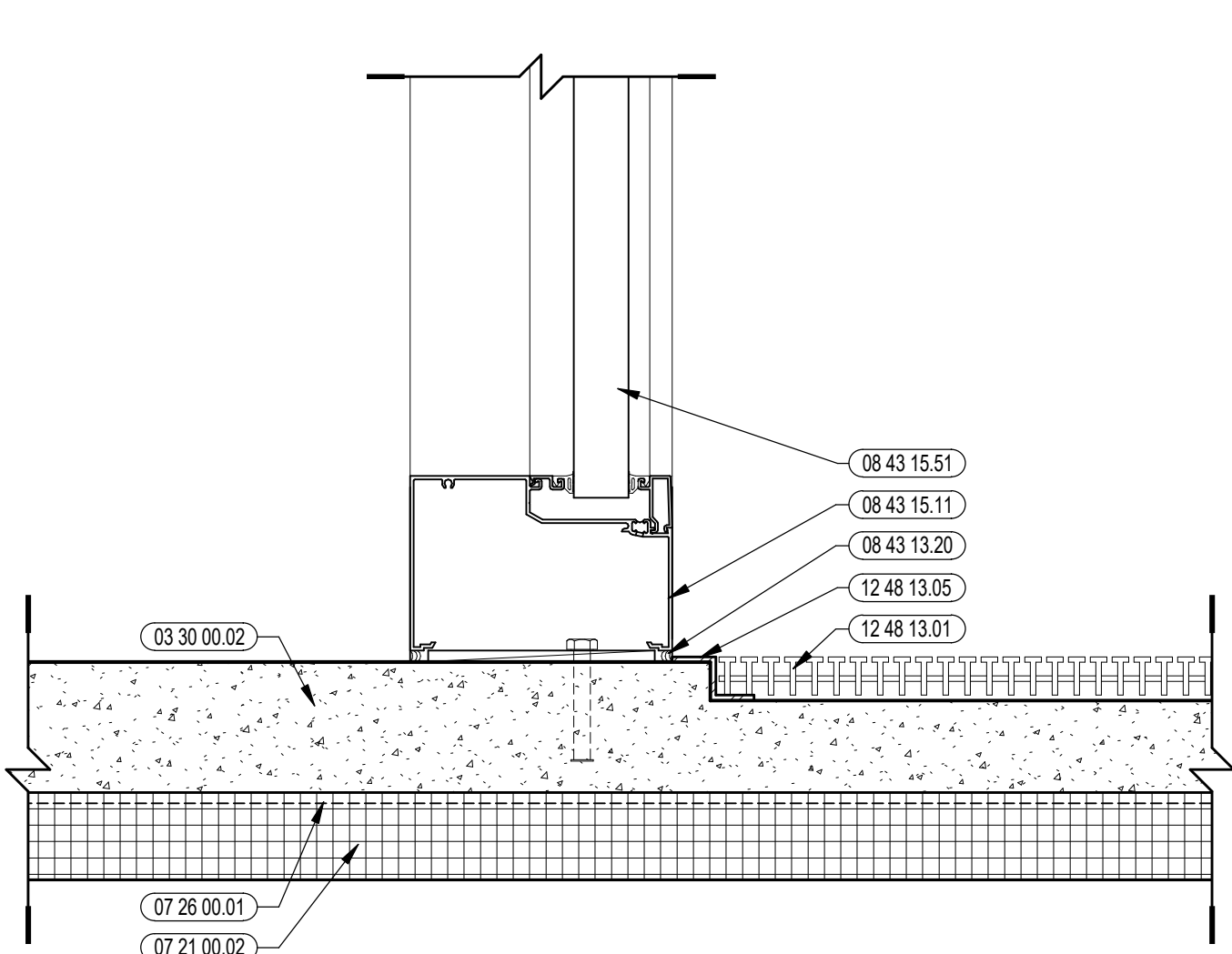
REVIEWED BY: CHR / KK

SCALE: AS INDICATED | DRAWING NUMBER:

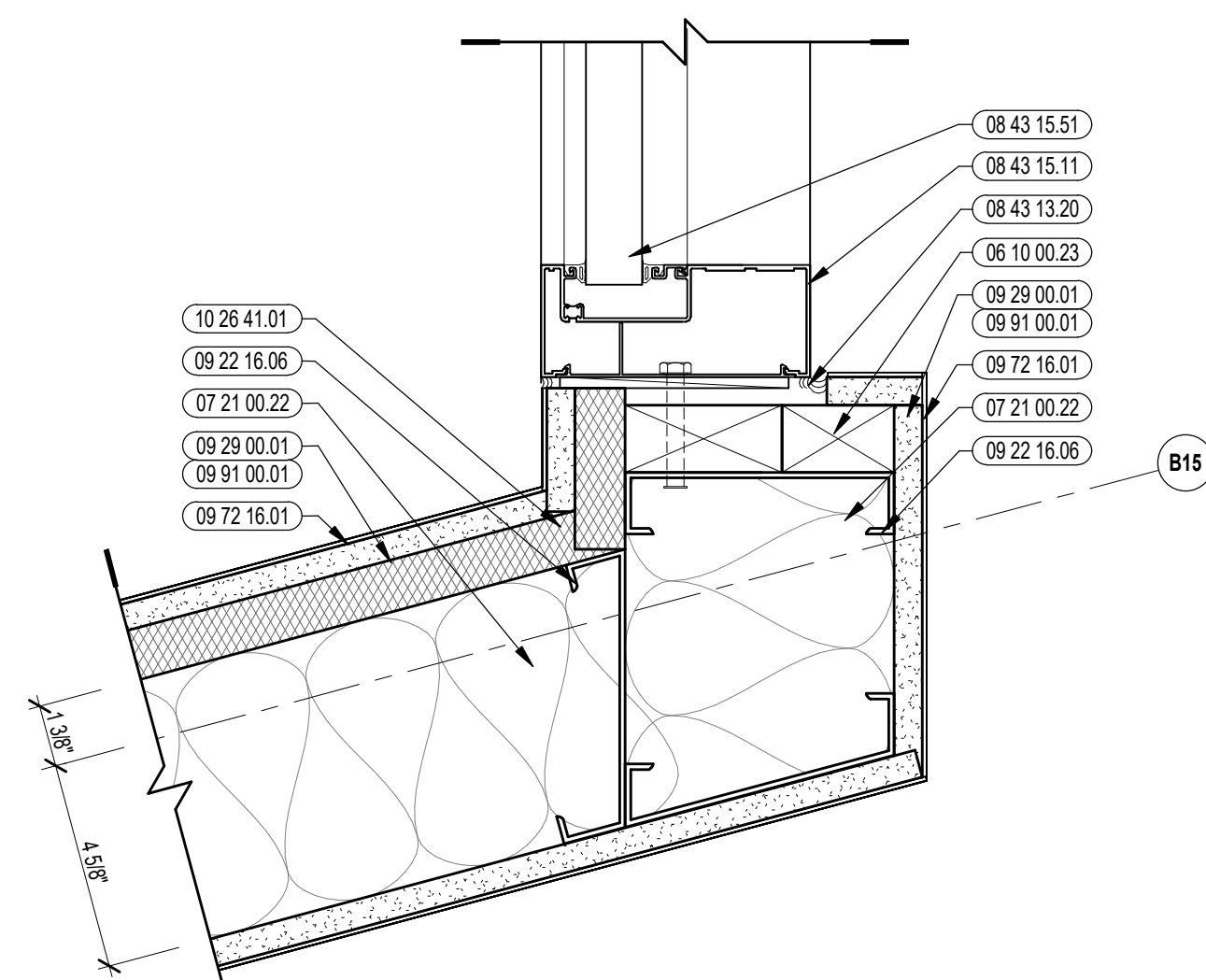
JOB NO.: 2202.02

DATE: OCTOBER 13, 2023

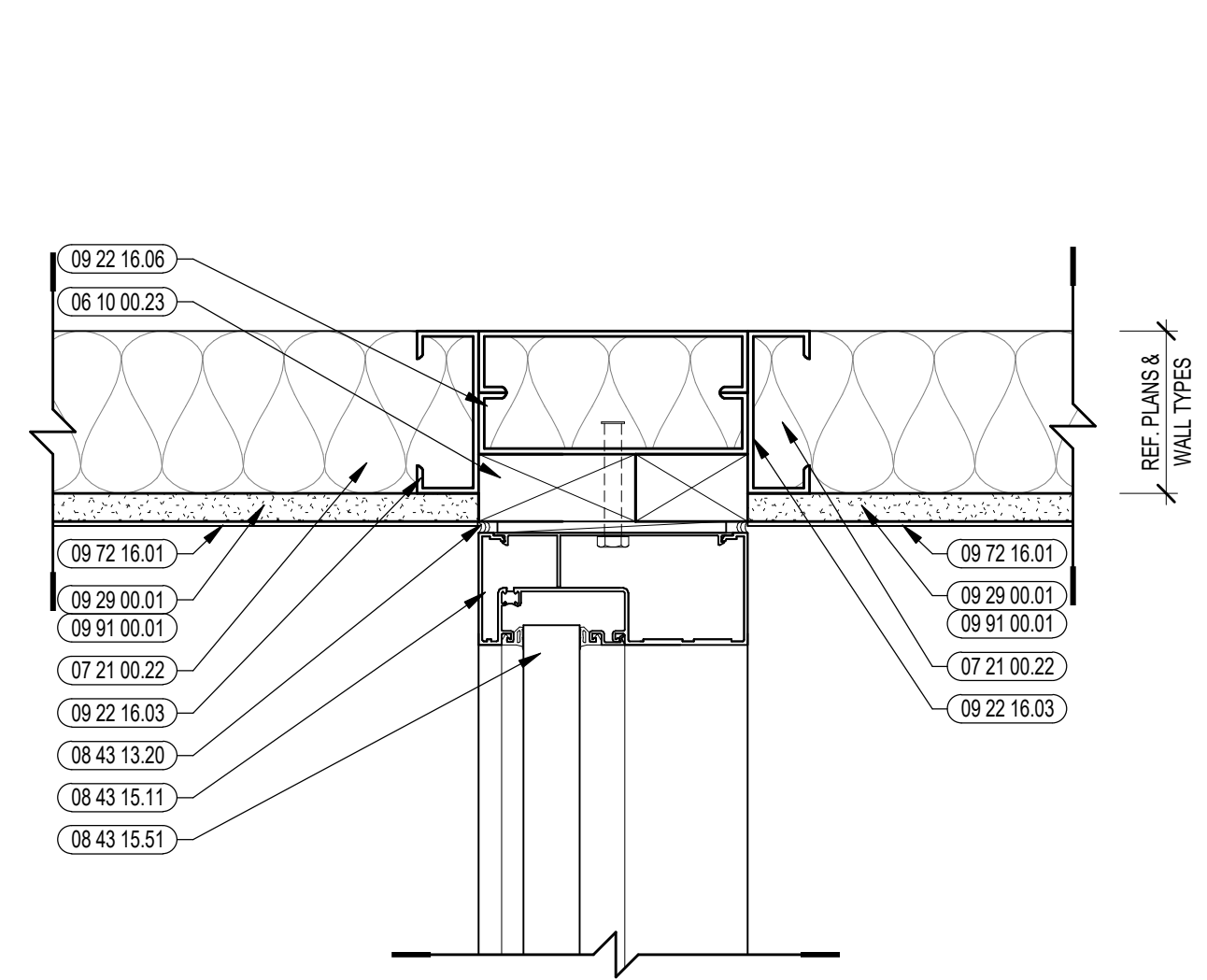
A6.41



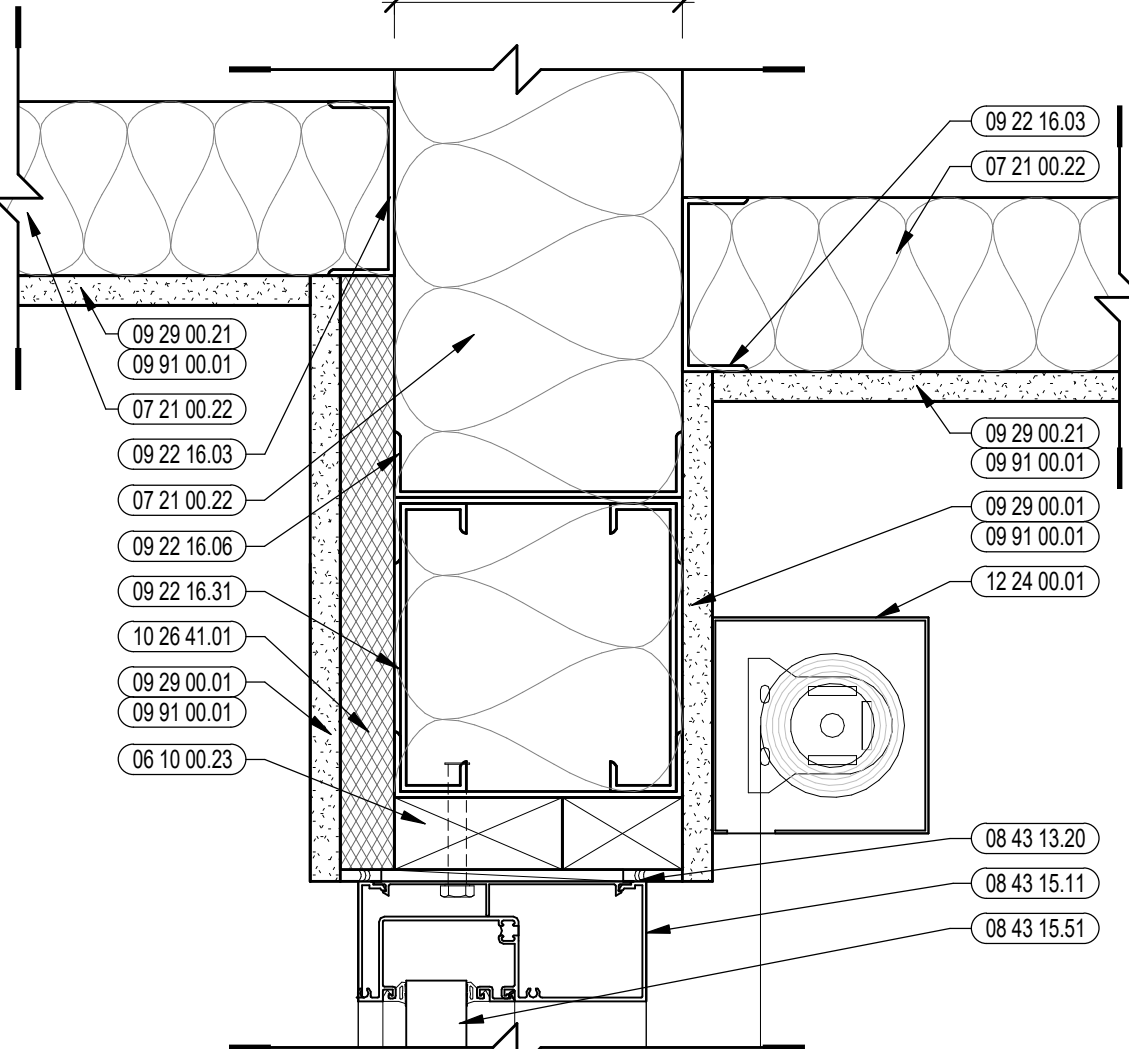
16 INTERIOR STOREFRONT BALLISTIC SILL DETAIL
3/8" = 1'-0"



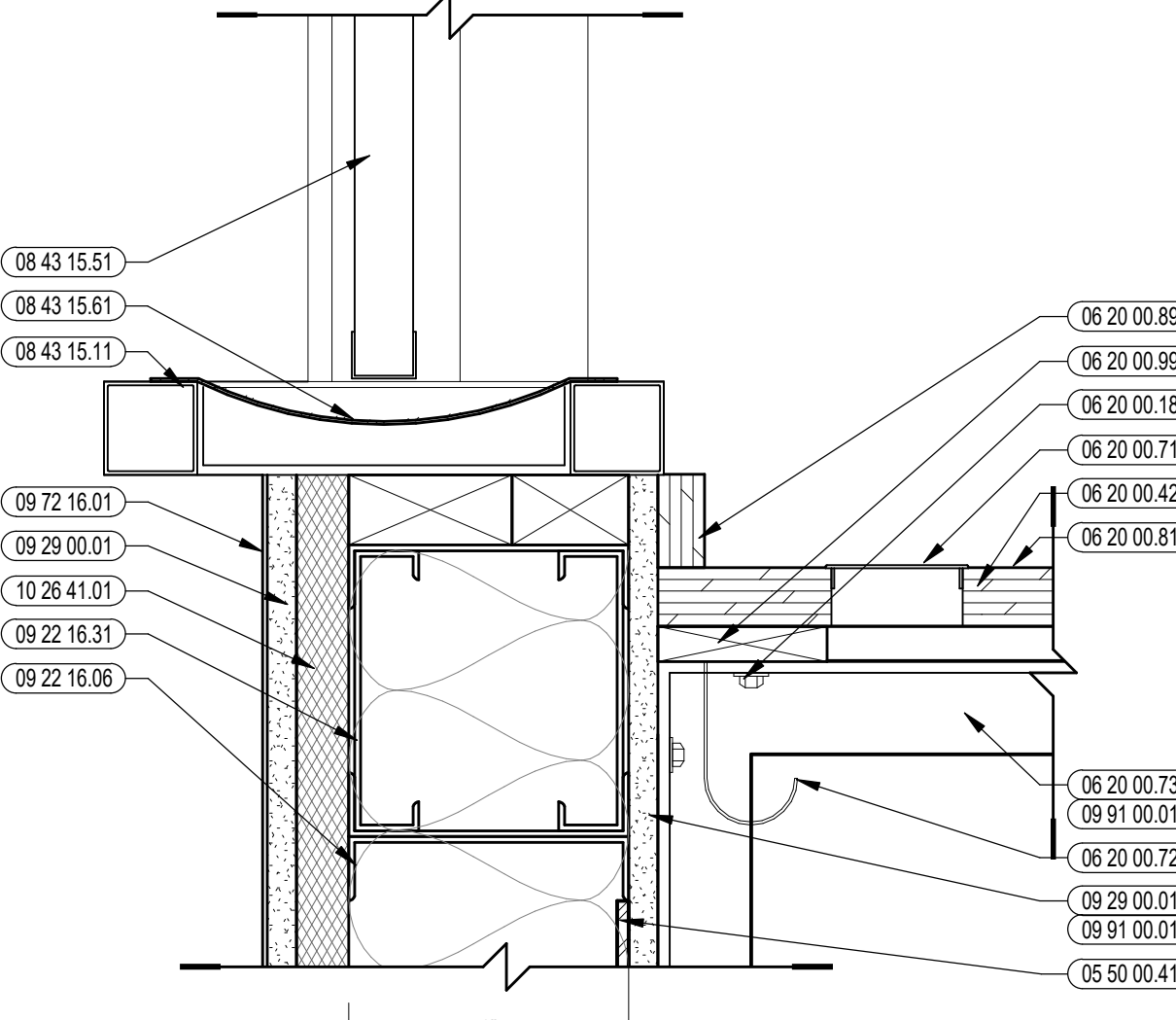
15 INTERIOR STOREFRONT BALLISTIC JAMB DETAIL
3/8" = 1'-0"



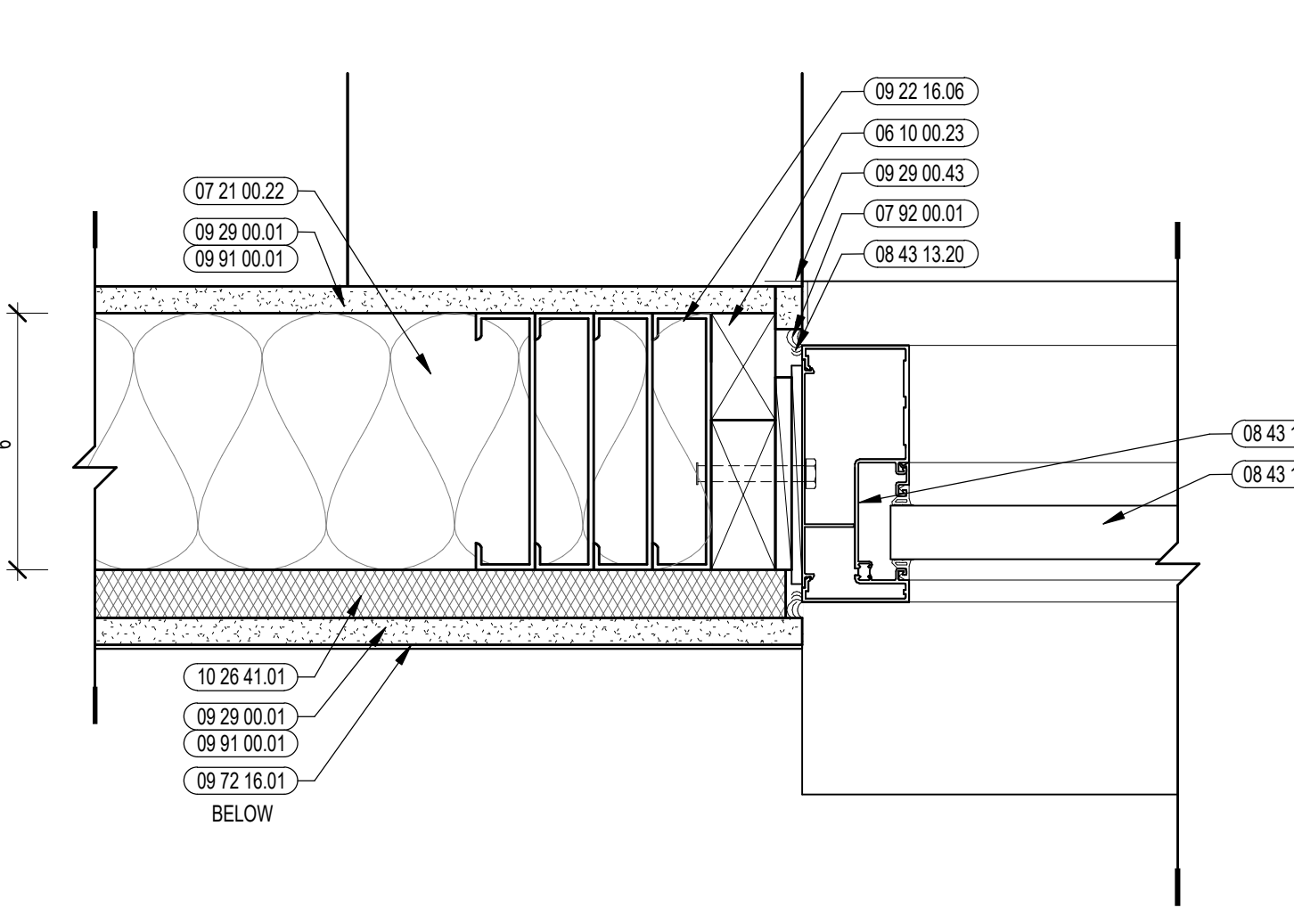
14 INTERIOR STOREFRONT BALLISTIC JAMB DETAIL
3/8" = 1'-0"



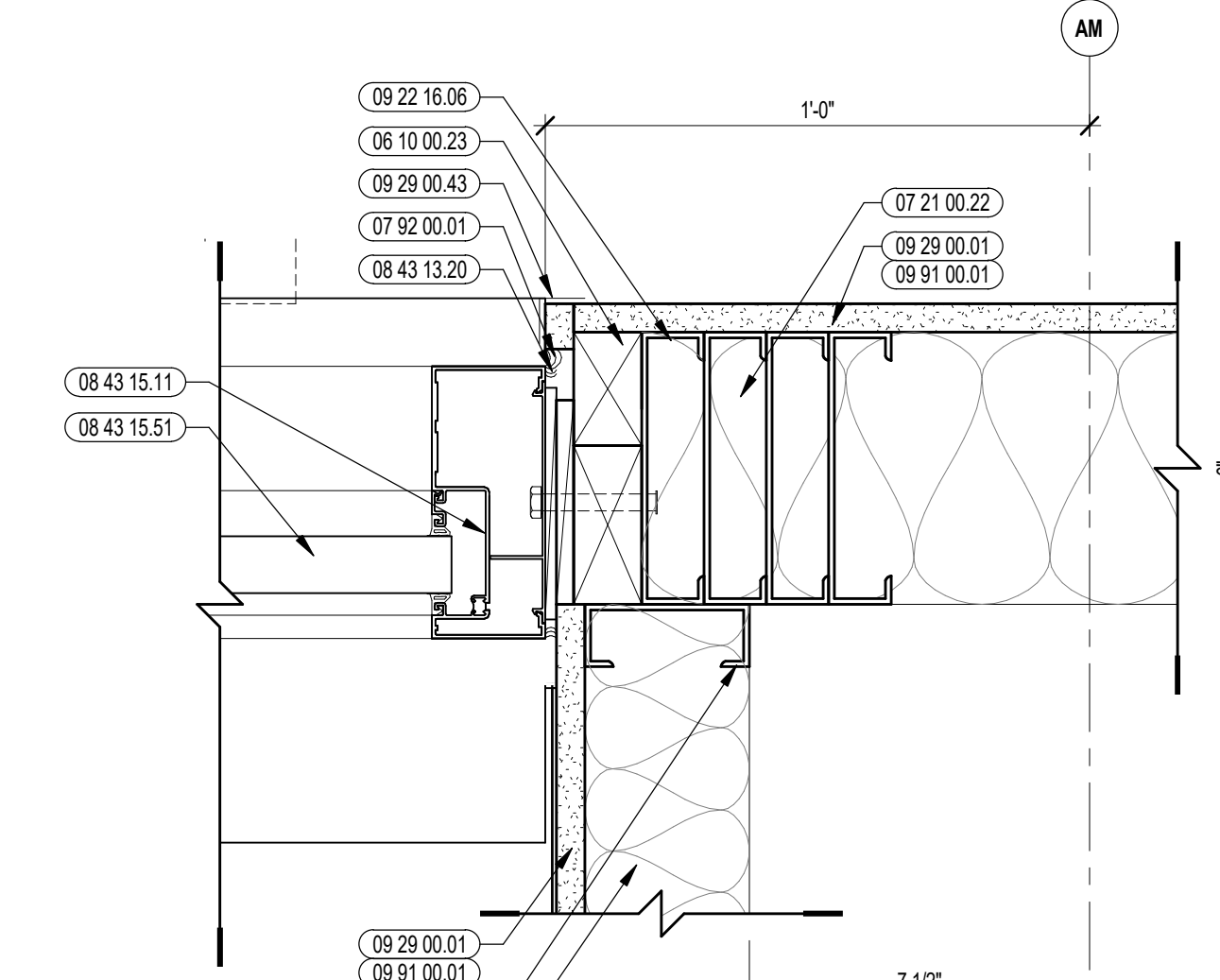
13 INTERIOR STOREFRONT BALLISTIC HEAD DETAIL @
TRANSACTION WINDOW
3/8" = 1'-0"



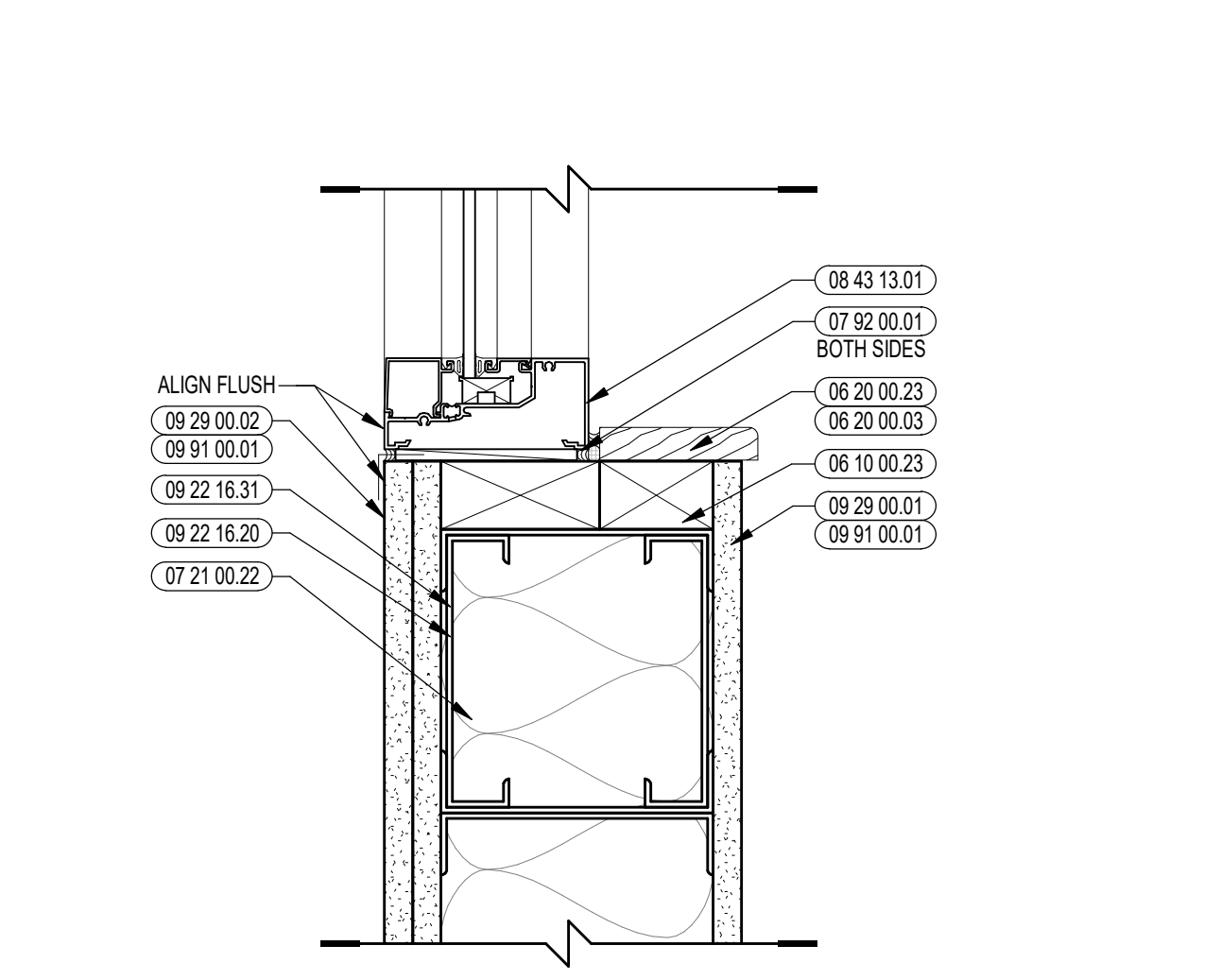
12 INTERIOR STOREFRONT BALLISTIC SILL DETAIL @
TRANSACTION WINDOW
3/8" = 1'-0"



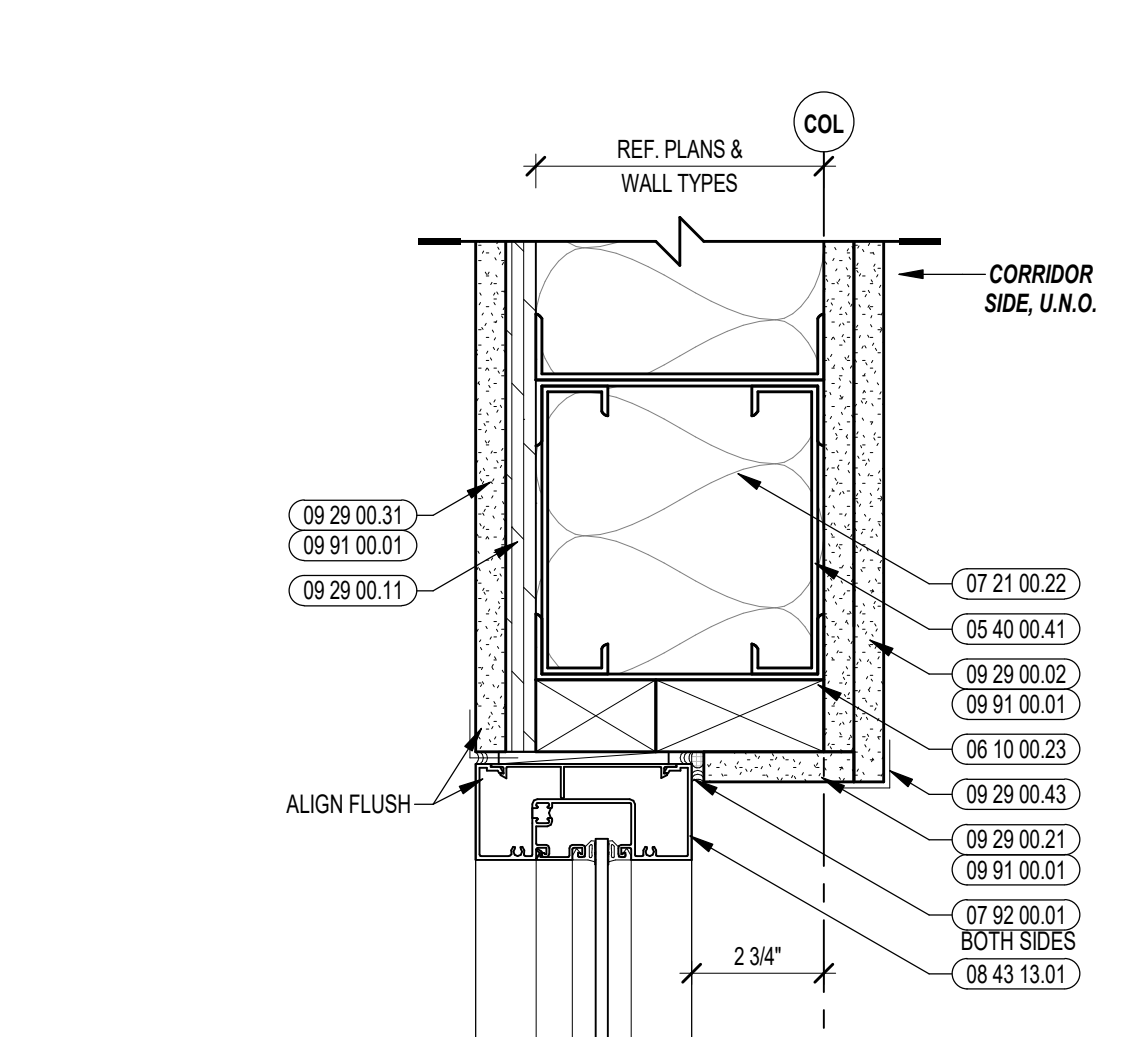
11 INTERIOR STOREFRONT BALLISTIC JAMB DETAIL @
TRANSACTION WINDOW
3/8" = 1'-0"



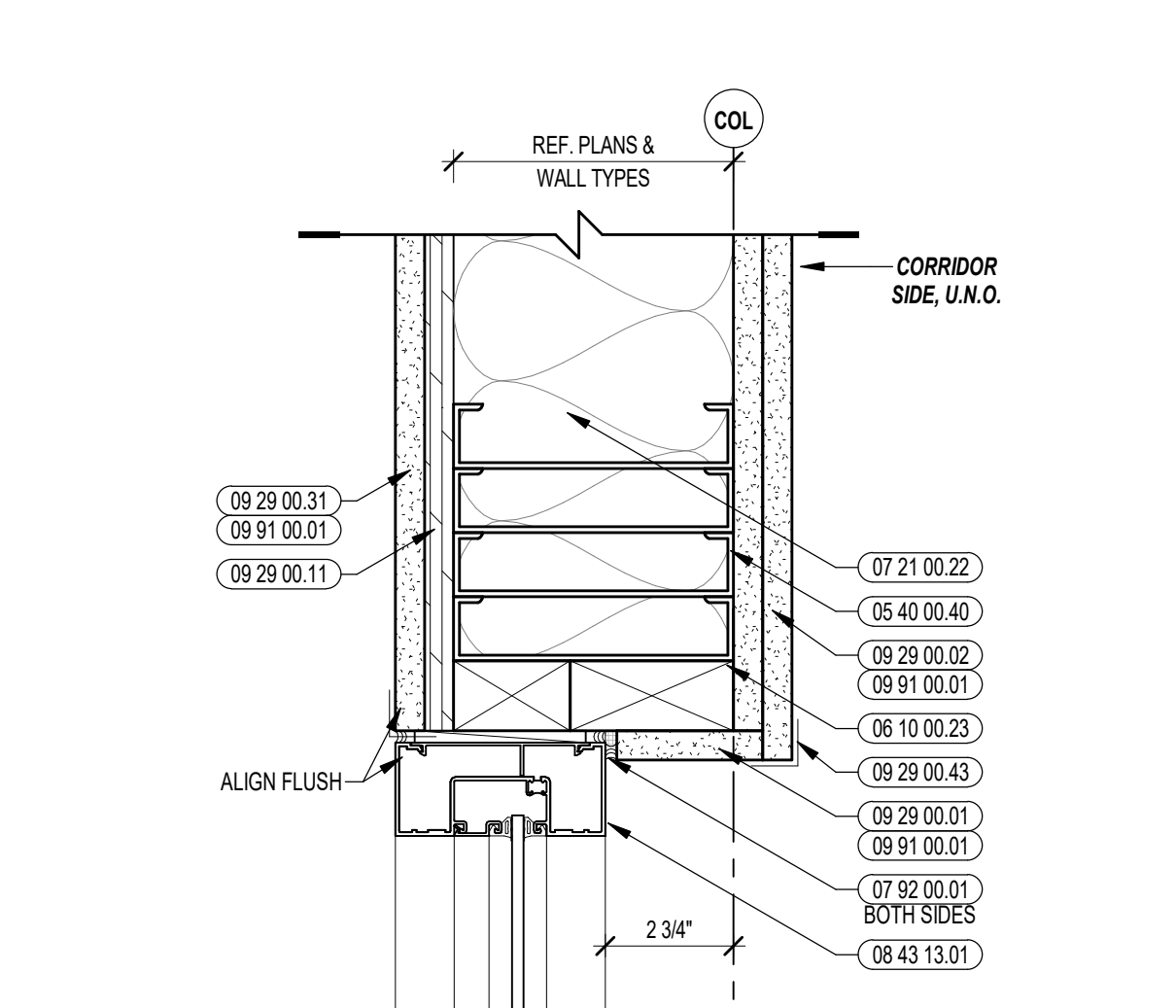
10 INTERIOR STOREFRONT JAMB DETAIL @
TRANSACTION WINDOW
3/8" = 1'-0"



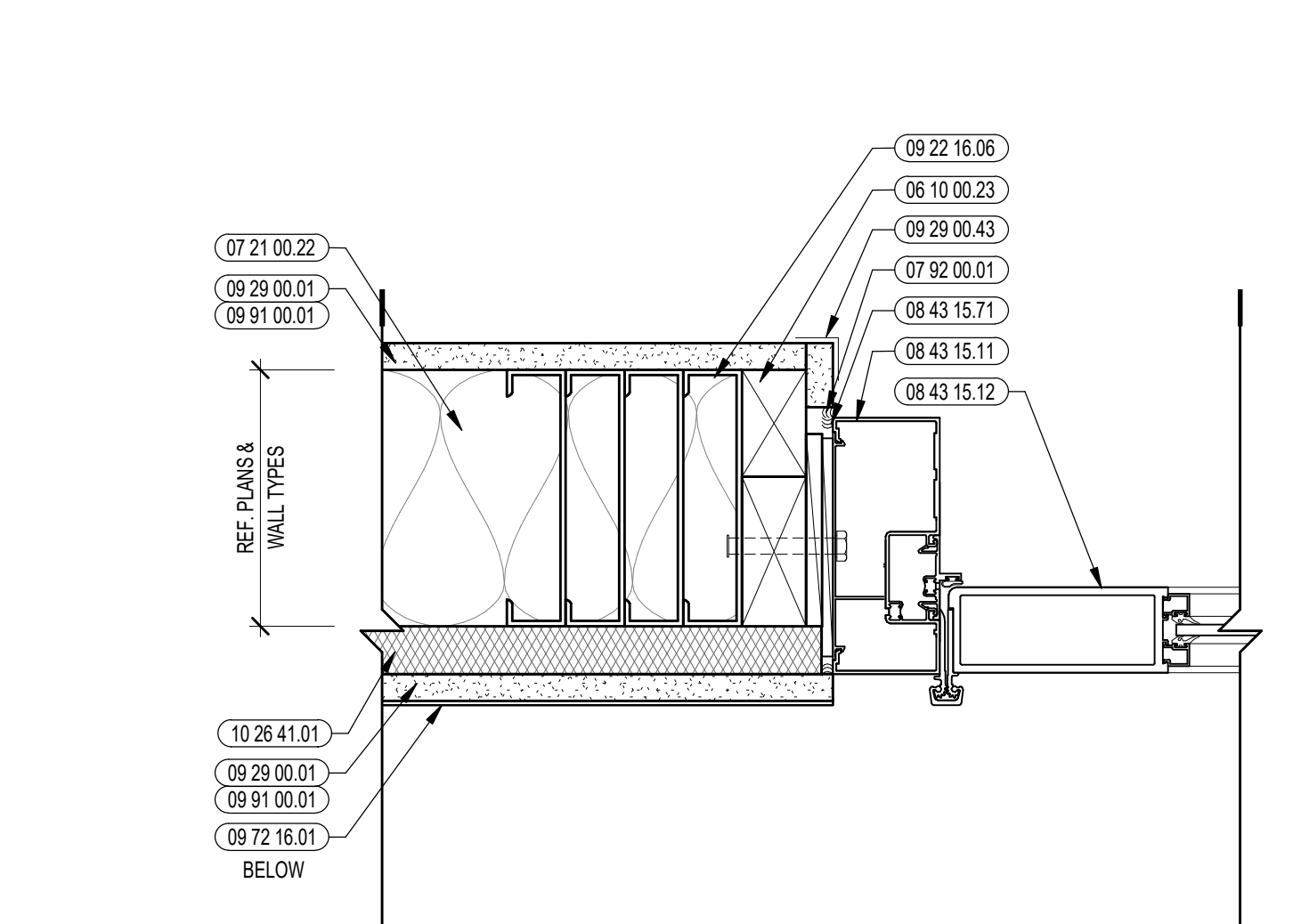
9 INTERIOR STOREFRONT SILL DETAIL
3/8" = 1'-0"



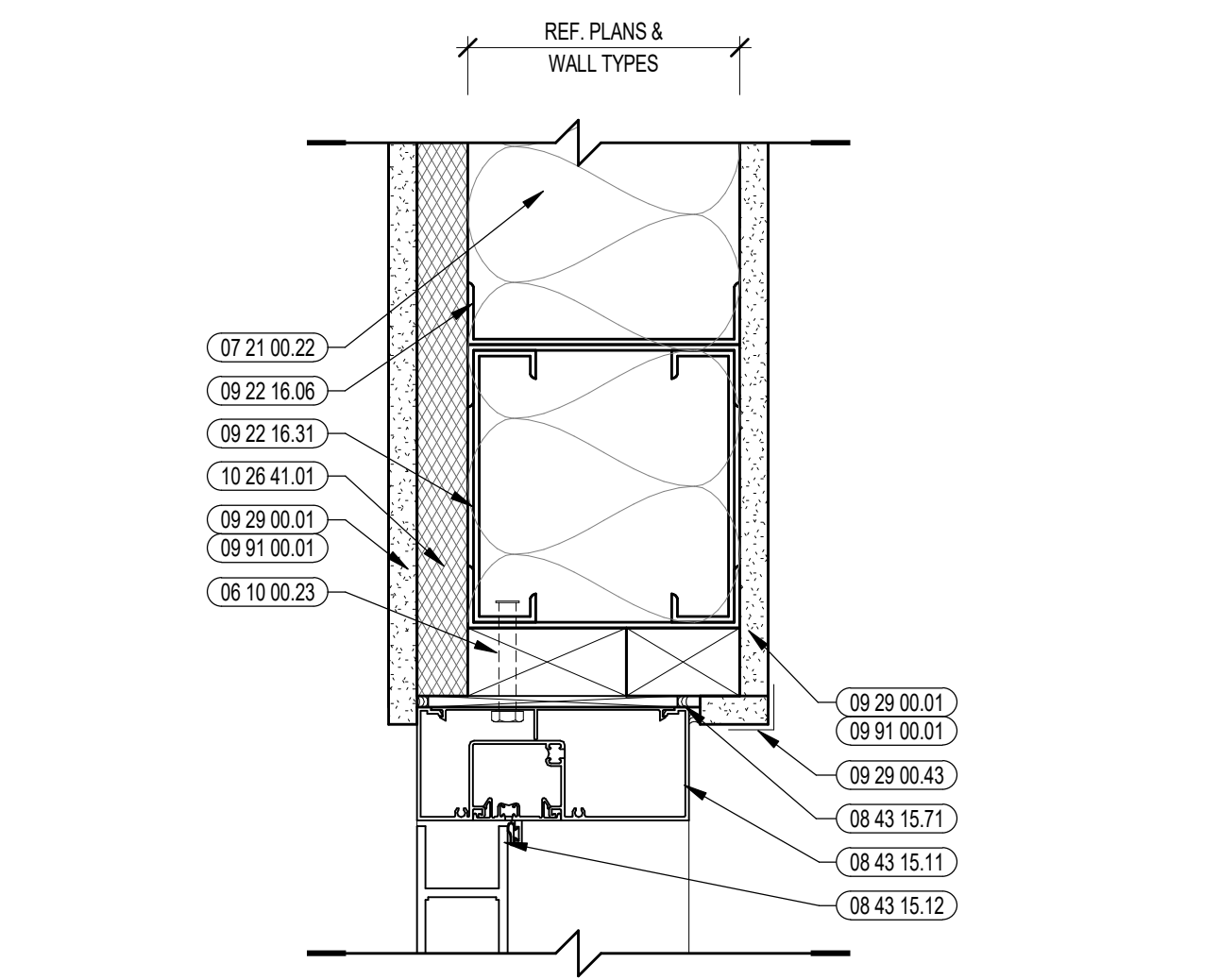
8 INT. STOREFRONT DETAILS AT IMPACT RESISTANT
WALL
3/8" = 1'-0"



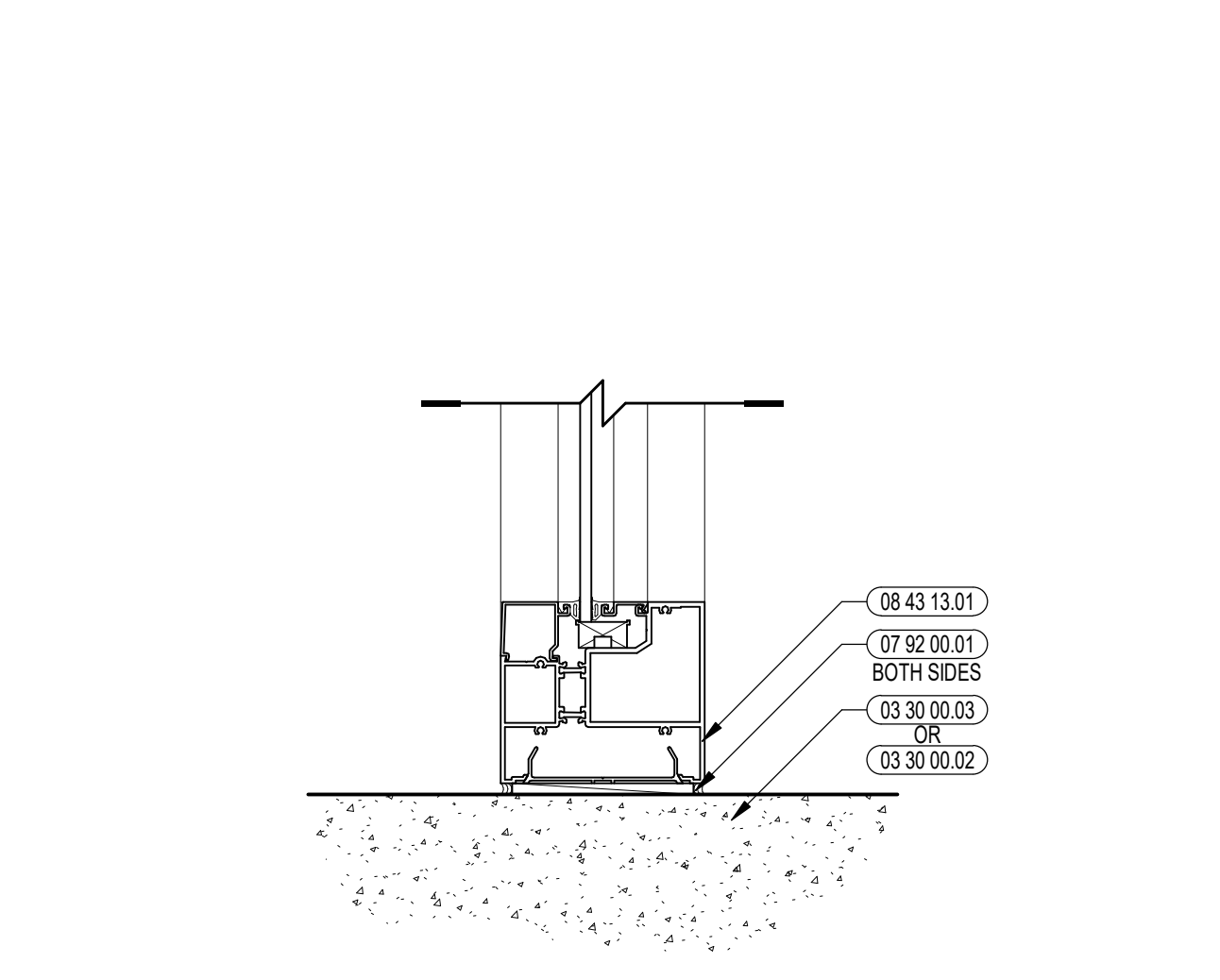
7 INTERIOR STOREFRONT BALLISTIC JAMB DETAIL
3/8" = 1'-0"



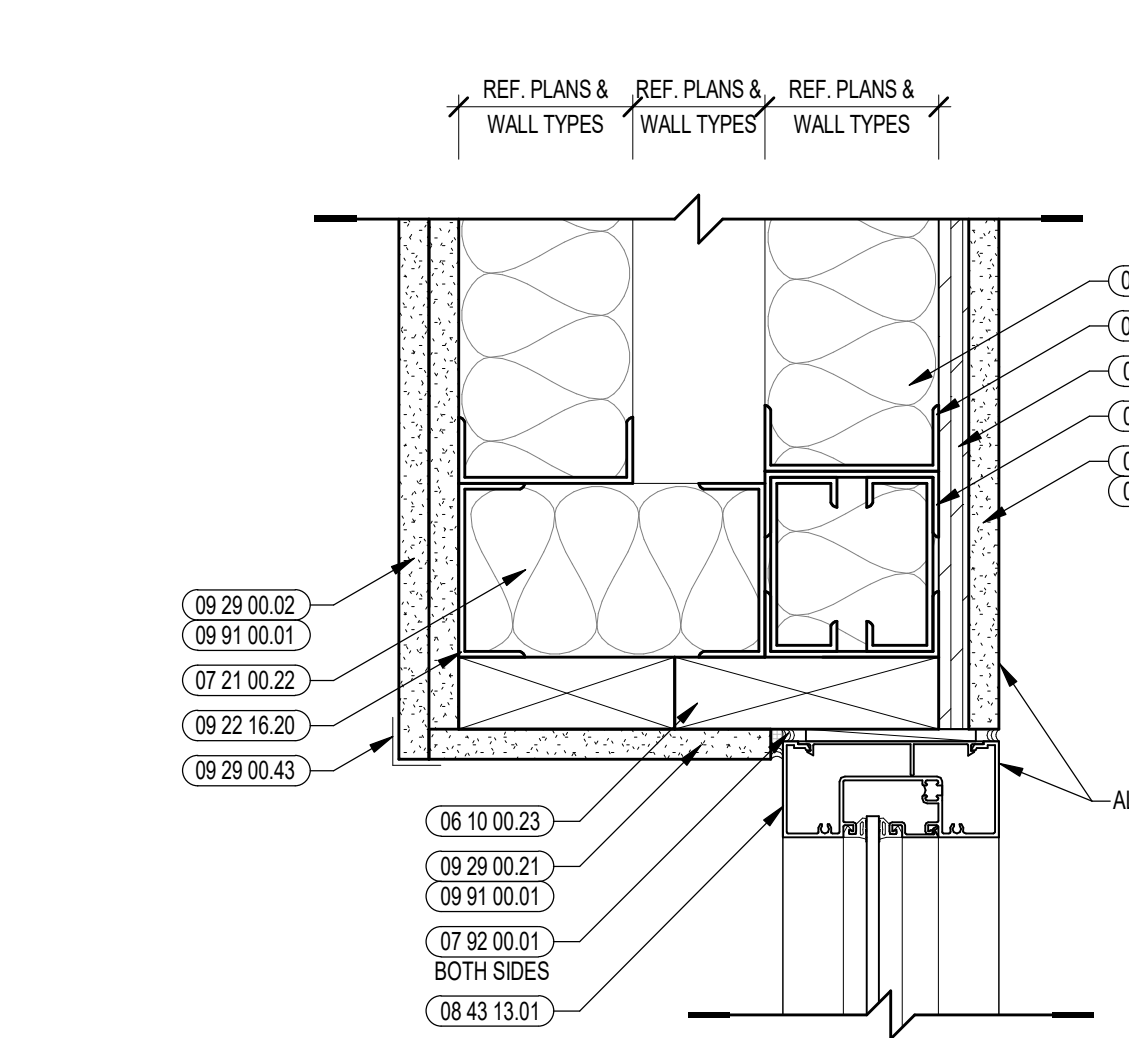
7 INTERIOR STOREFRONT BALLISTIC JAMB DETAIL
3/8" = 1'-0"



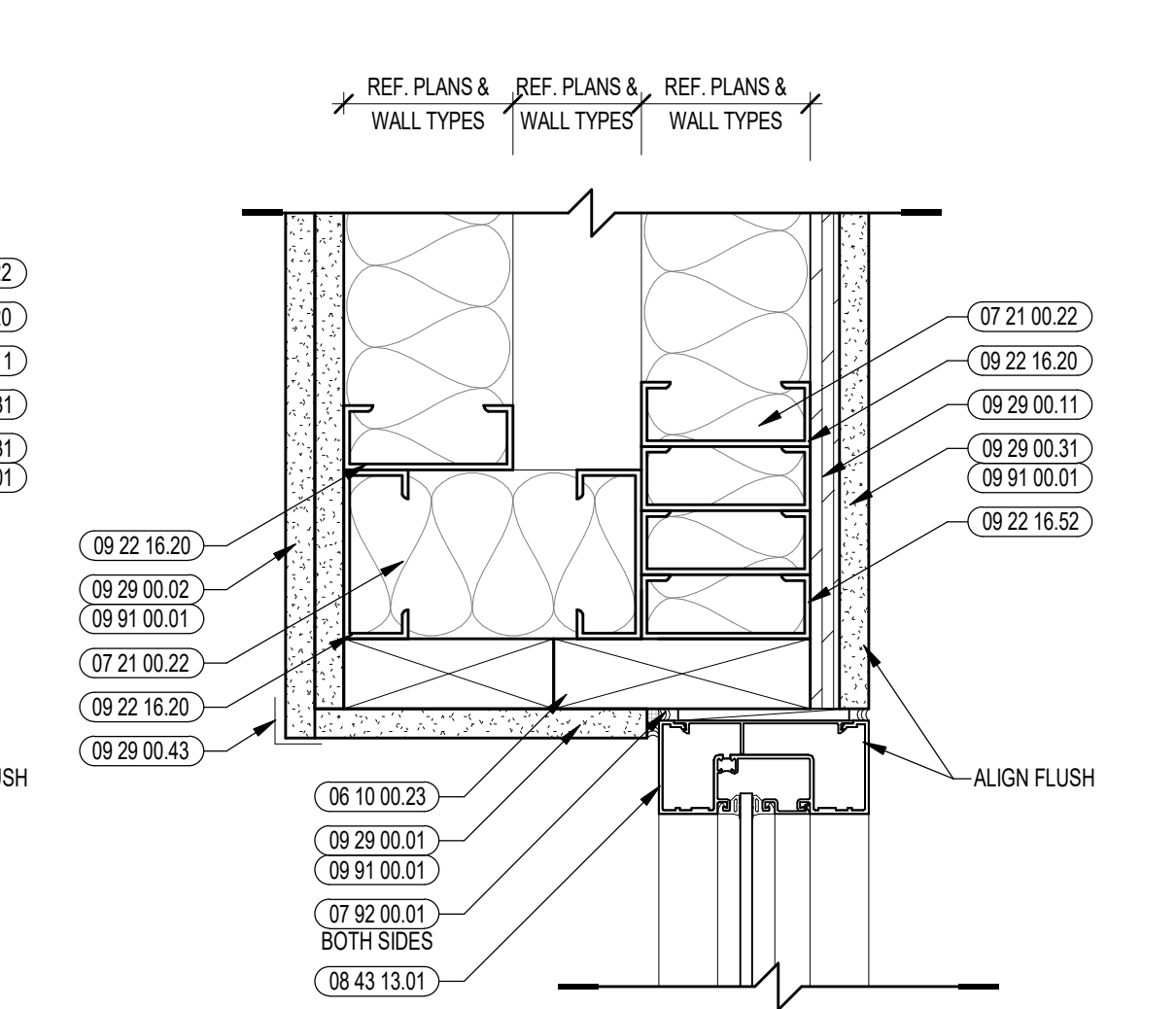
6 INTERIOR STOREFRONT BALLISTIC HEAD DETAIL
3/8" = 1'-0"



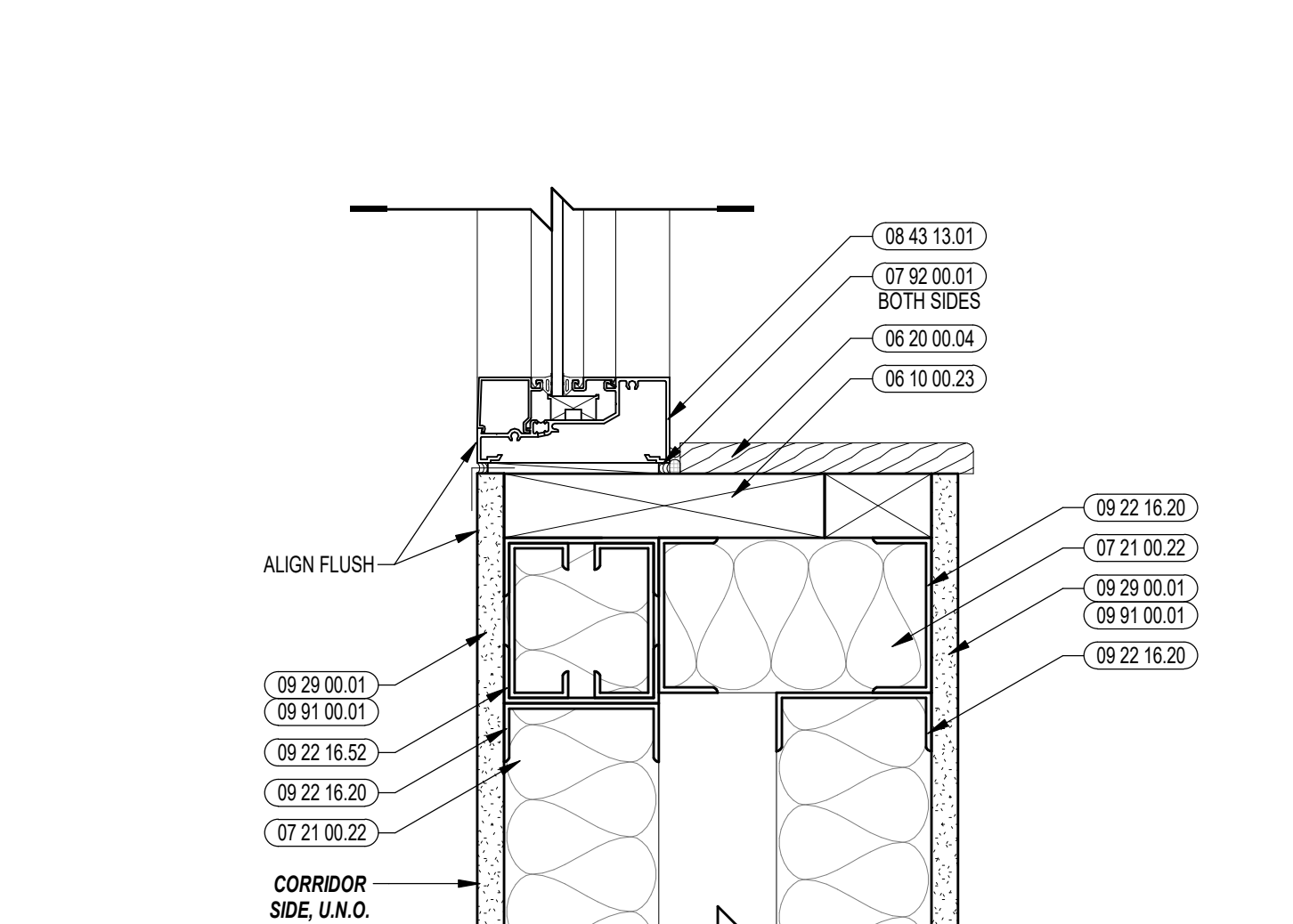
5 INTERIOR STOREFRONT SILL DETAIL
3/8" = 1'-0"



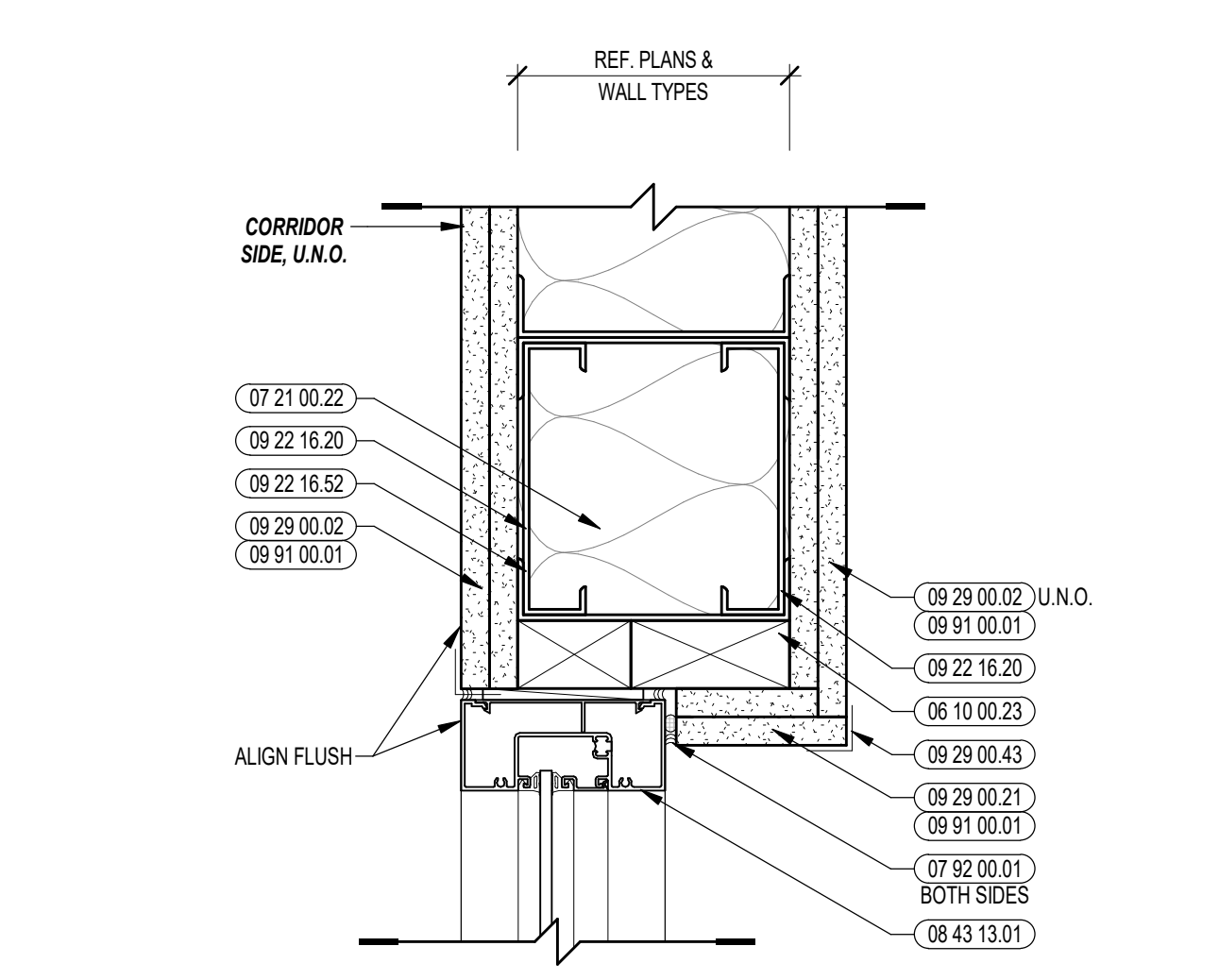
4 INTERIOR STOREFRONT @ PERPENDICULAR IMPACT
RESISTANT WALL
3/8" = 1'-0"



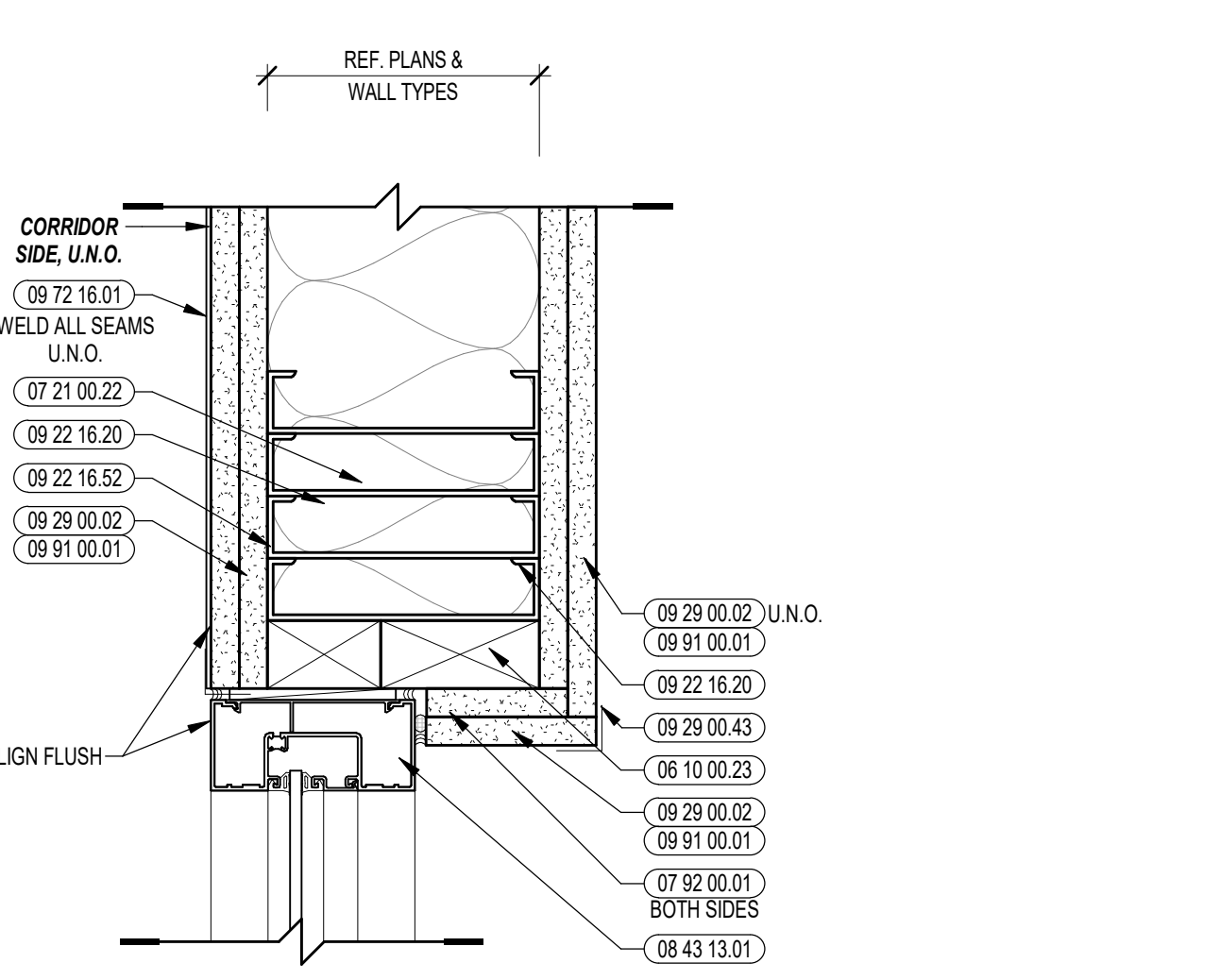
4 INTERIOR STOREFRONT @ PERPENDICULAR IMPACT
RESISTANT WALL
3/8" = 1'-0"



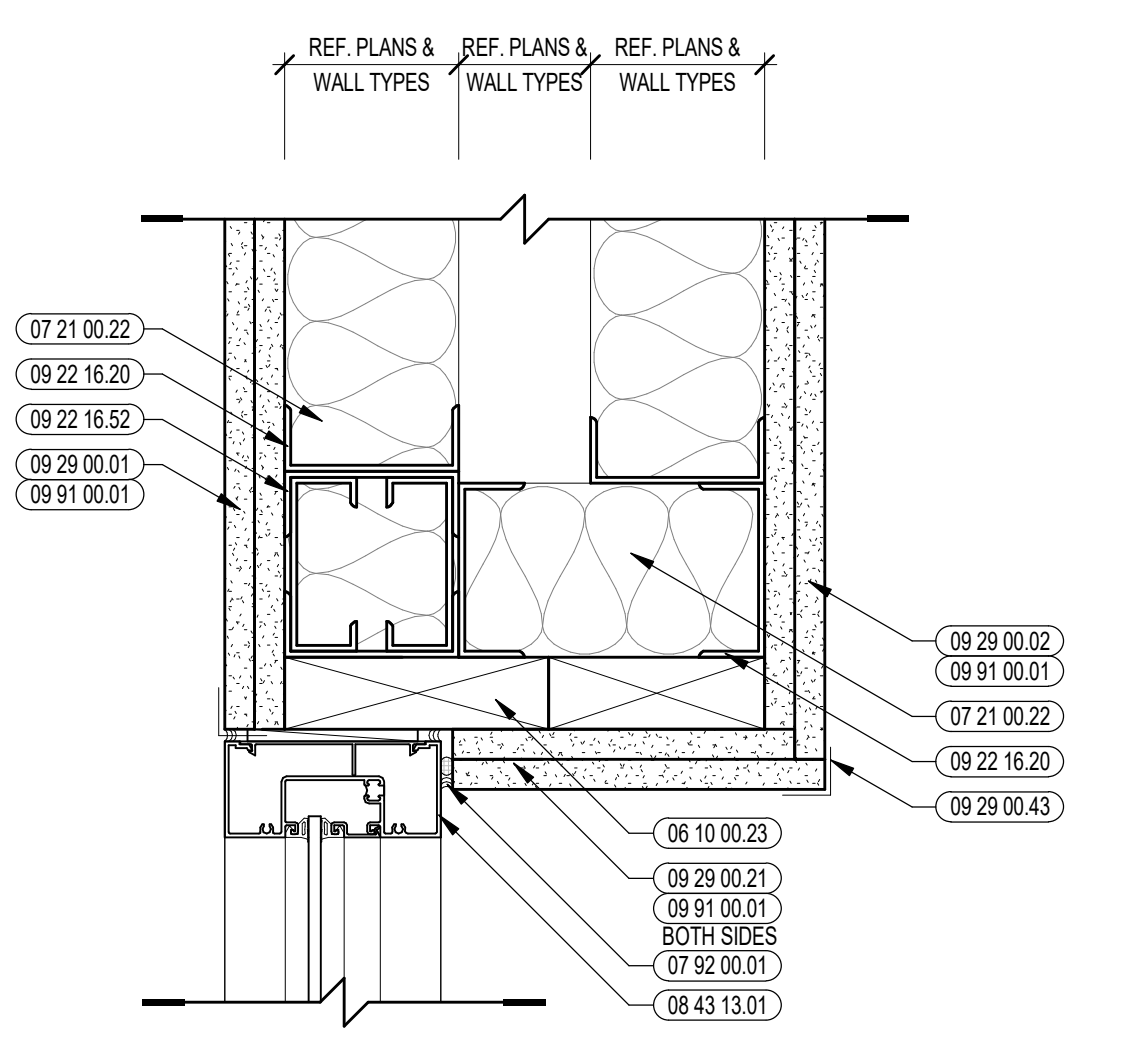
3 INTERIOR STOREFRONT SILL DETAIL @
PERPENDICULAR WALL
3/8" = 1'-0"



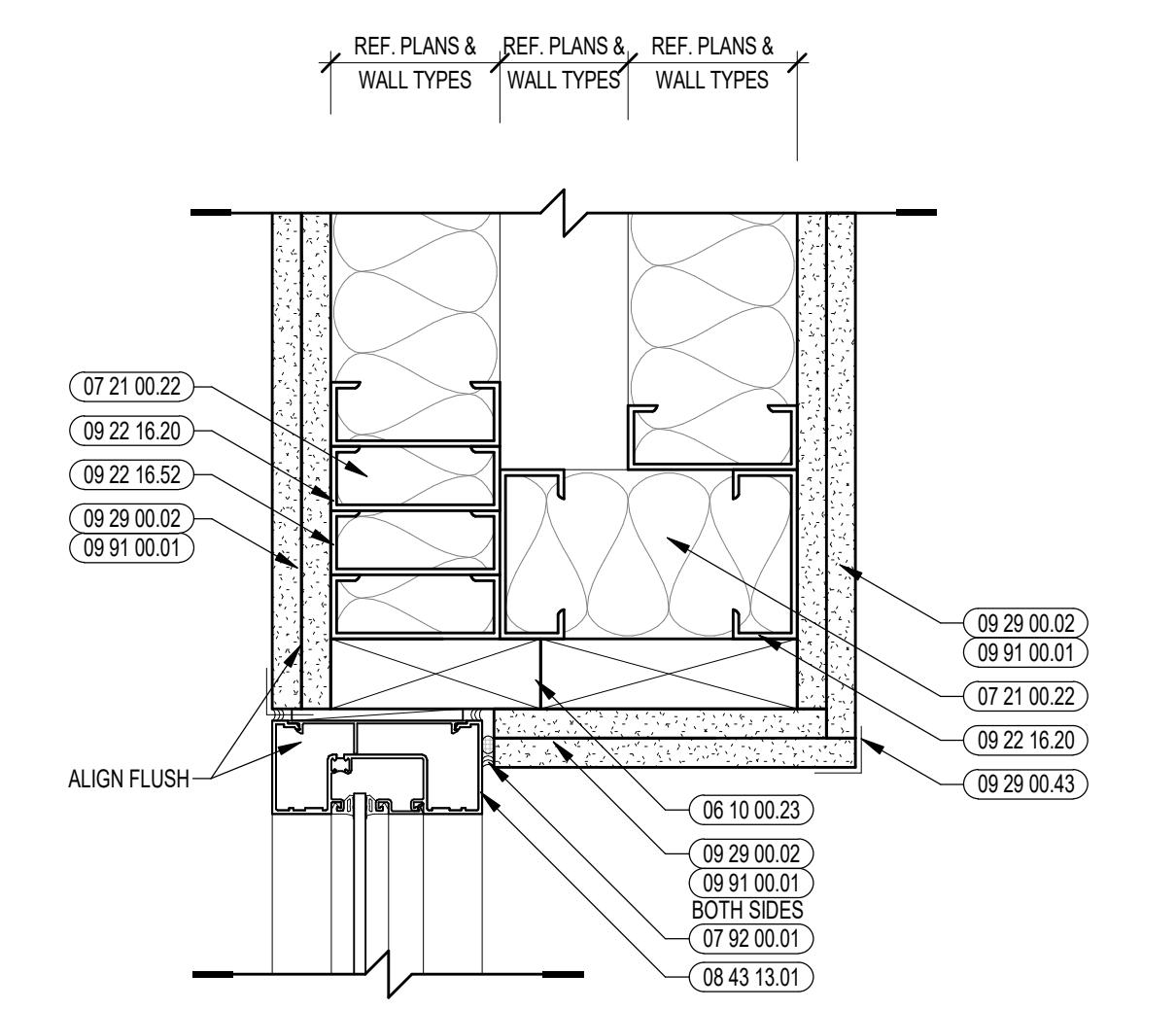
2 INTERIOR STOREFRONT DETAILS
3/8" = 1'-0"



2 INTERIOR STOREFRONT DETAILS
3/8" = 1'-0"



1 INTERIOR STOREFRONT DETAILS, PERPENDICULAR
3/8" = 1'-0"



1 INTERIOR STOREFRONT DETAILS, PERPENDICULAR
3/8" = 1'-0"



CENTRAL FALLS HIGH SCHOOL
10 HIGGINSON AVE, CENTRAL FALLS, RI

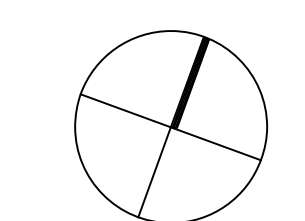
Copyright © 2023, A3 Architects, Inc.

KEYNOTE LEGEND:

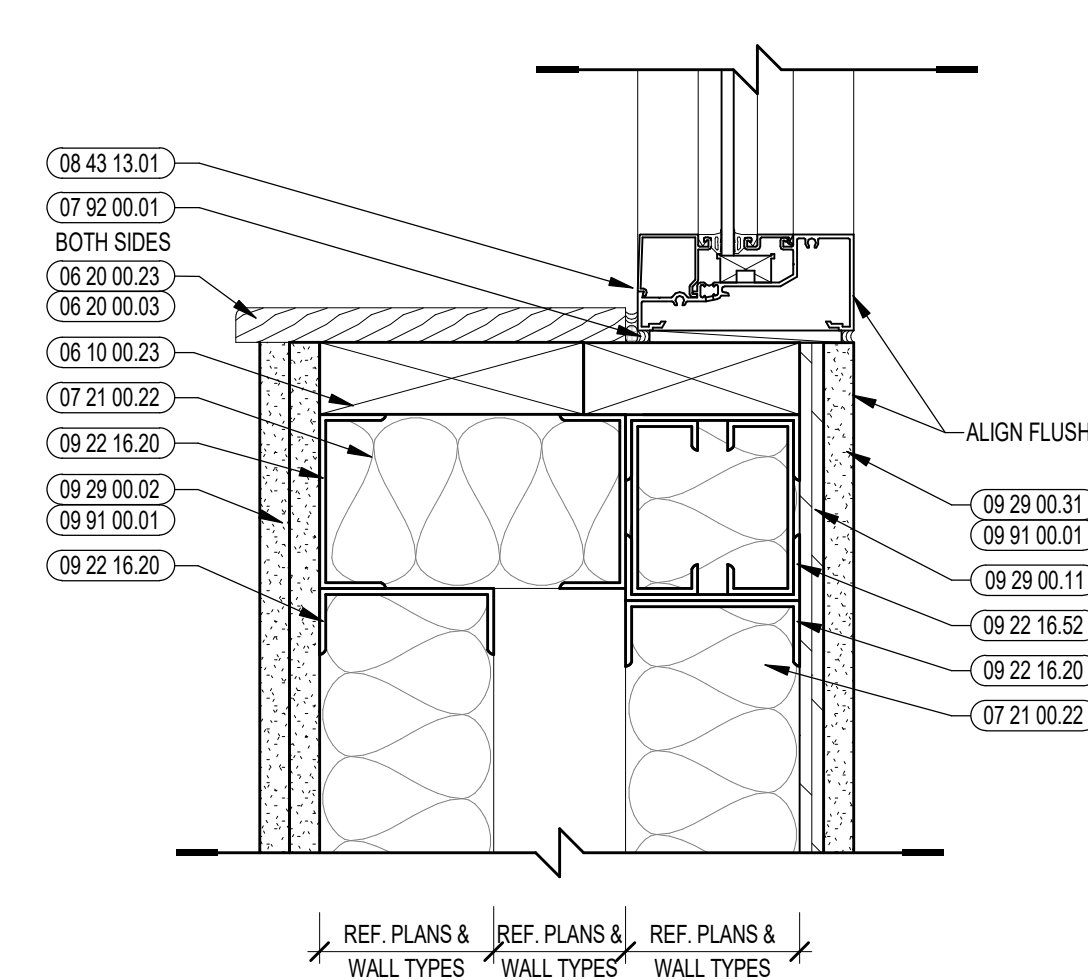
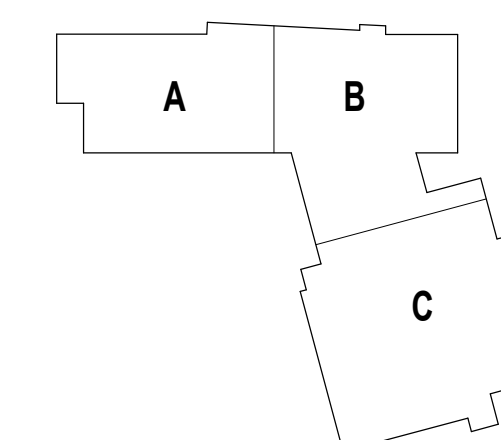
- 06 10 00.23 WOOD BLOCKING - FIRE RETARDANT TREATED - SIZE AS NOTED OR DRAWN
- 06 20 00.03 HARDWOOD TRIM - EASED EDGE 1/4 INCH RADIUS - TRANSPARENT FINISH
- 06 20 00.23 HARDWOOD TRIM - 3/4 INCH - TRANSPARENT FINISH
- 07 21 00.22 GLASS FIBER ACOUSTICAL BLANKET INSULATION - MATCH DEPTH OF STUD - UNFACED
- 07 92 00.01 JOINT SEALANT - TYPE AS REQUIRED
- 07 92 00.02 BACKER ROD AND SEALANT - TYPE AS REQUIRED
- 08 43 13.01 ALUMINUM STOREFRONT FRAME
- 08 43 13.20 SEALANT & BACKER ROD
- 08 43 15.11 BULLET-RESISTANT ALUMINUM STOREFRONT FRAME
- 08 43 15.51 BULLET-RESISTANT GLASS - LEVEL 5
- 09 22 16.03 METAL STUD 3-5/8 INCH - 16 INCHES O.C. MAX
- 09 22 16.06 METAL STUD 6 INCH - 16 INCHES O.C. MAX
- 09 22 16.20 METAL STUD - REFER TO FLOOR PLANS FOR DEPTH
- 09 22 16.31 BOXED HEADER
- 09 22 16.52 DOUBLE STUD JAMB - SIZE AS REQUIRED
- 09 29 00.01 5/8 INCH GYPSUM BOARD - LEVEL 4 FINISH - 1 LAYER
- 09 29 00.02 5/8 INCH GYPSUM BOARD - LEVEL 4 FINISH - 2 LAYERS
- 09 29 00.11 5/8 INCH PLYWOOD - FIRE RETARDANT TREATED
- 09 29 00.31 5/8 INCH GYPSUM BOARD - LEVEL 4 FINISH - IMPACT RESISTANT
- 09 72 16.01 VINYL WALL CLADDING - REFERENCE ELEVATIONS FOR TYPE
- 09 91 00.01 PAINT - SEE SCHEDULE

100% CONSTRUCTION DOCUMENTS

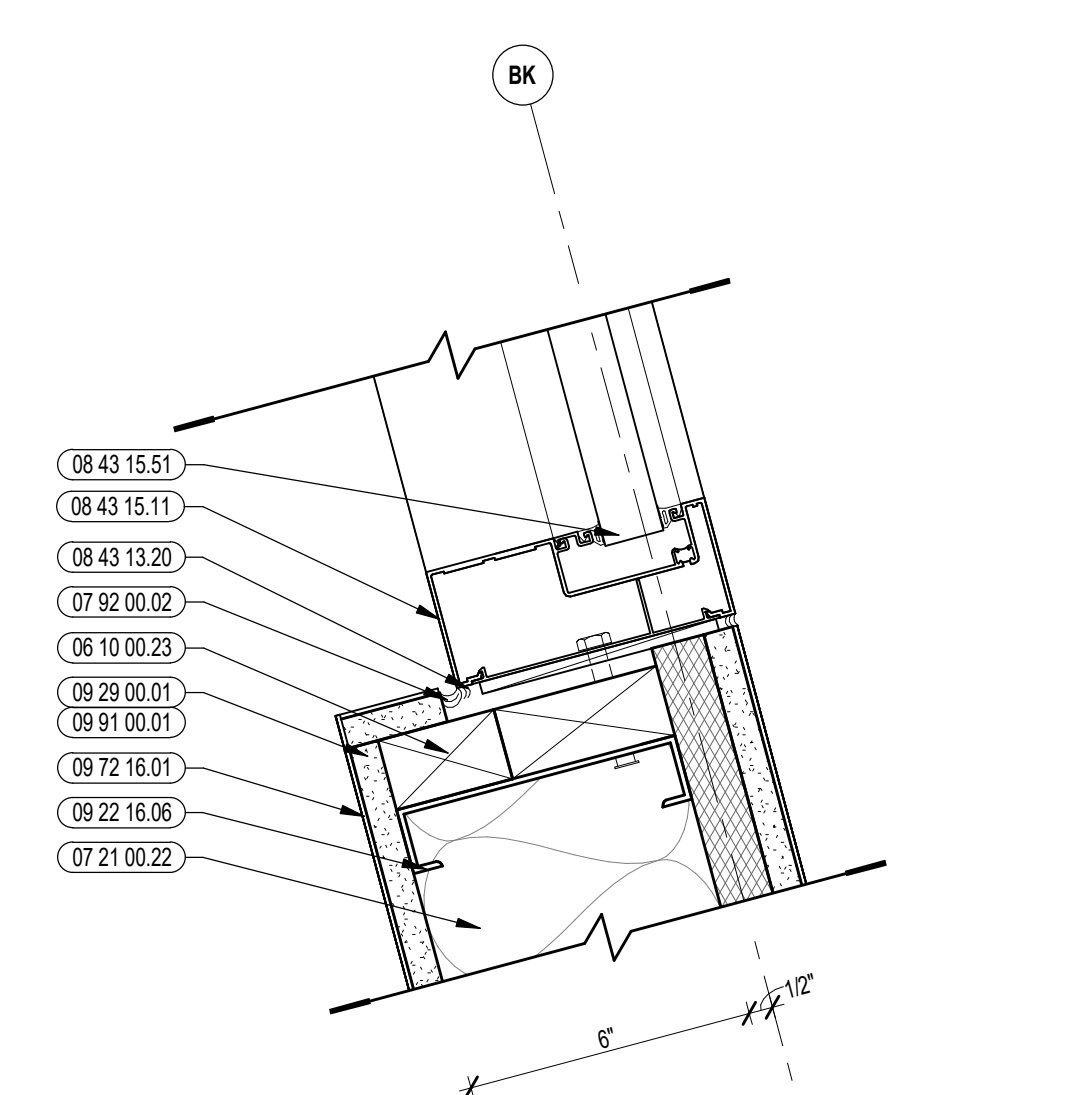
KEY PLAN NORTH ARROW



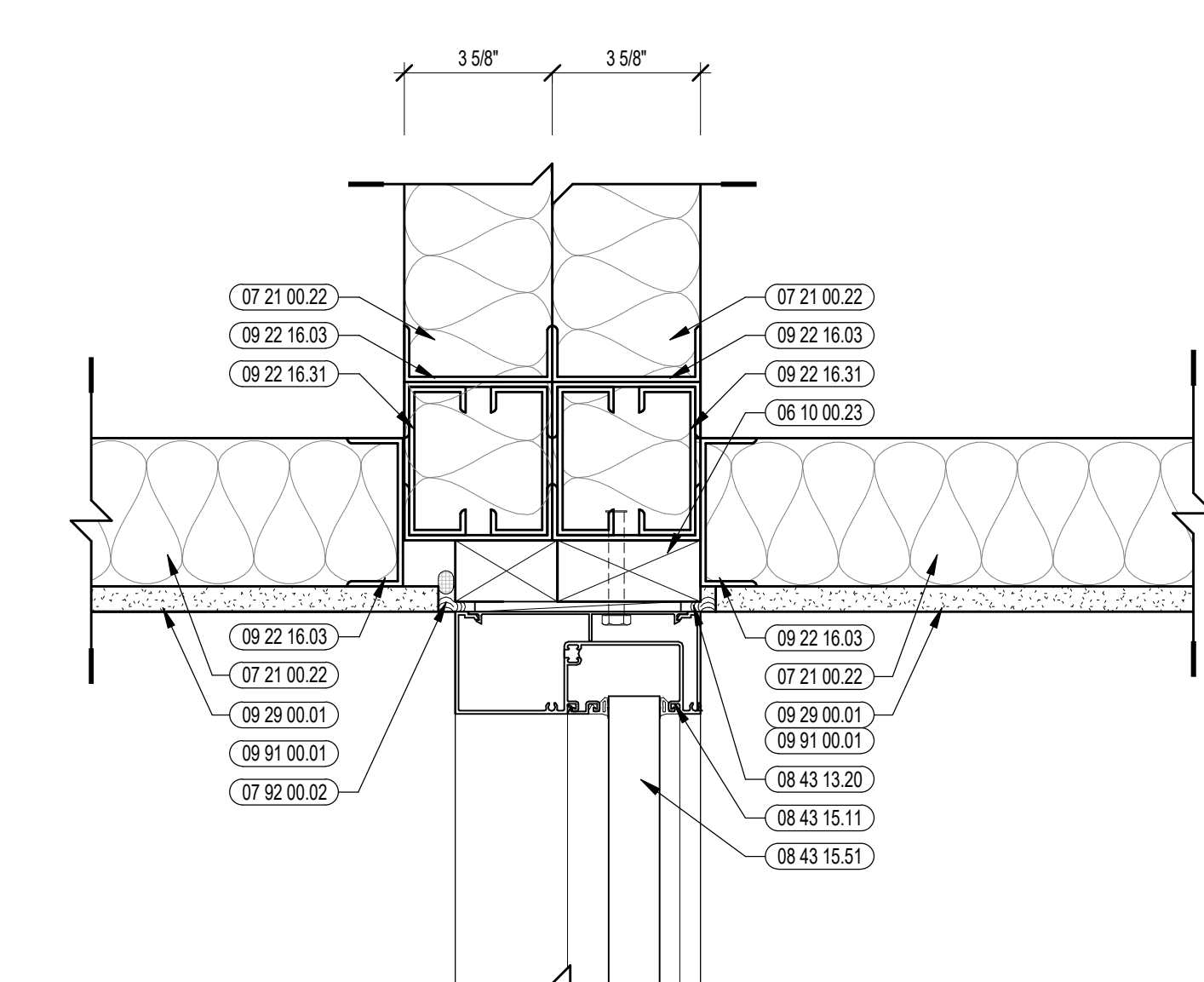
KEYPLAN



3 INTERIOR STOREFRONT SILL DETAIL @ PERPENDICULAR IMPACT RESISTANT WALL
3" = 1'-0"



2 INTERIOR STOREFRONT BALLISTIC JAMB DETAIL
3" = 1'-0"



1 INTERIOR STOREFRONT BALLISTIC HEAD DETAIL
3" = 1'-0"

DRAWING NAME:

INTERIOR STOREFRONT DETAILS

DRAWN BY: BFC / CHR

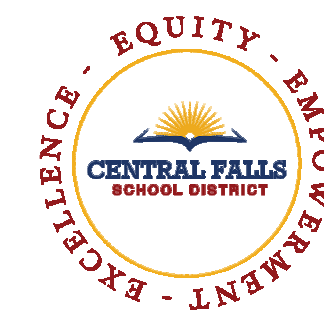
REVIEWED BY: CHR / KK

SCALE: AS INDICATED | DRAWING NUMBER:

JOB NO.: 2202.02

DATE: OCTOBER 13, 2023

A6.42

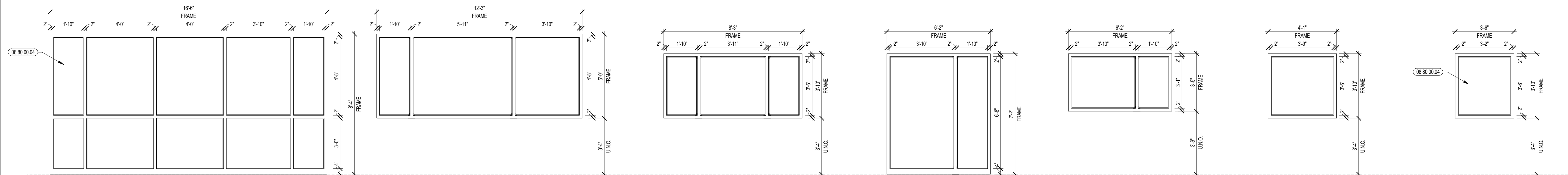


CENTRAL FALLS HIGH SCHOOL
10 HIGGINSON AVE, CENTRAL FALLS, RI

KEYNOTE LEGEND:

08 80 00.04 GLASS TYPE 4

Copyright © 2023, A3 Architects, Inc.

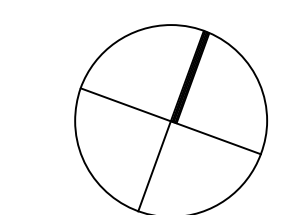


H23.1 HOLLOW METAL FRAME TYPE H23.1 H22.2 HOLLOW METAL FRAME TYPE H22.2 H22.1 HOLLOW METAL FRAME TYPE H22.1 H21.2 HOLLOW METAL FRAME TYPE H21.2 H21.1 HOLLOW METAL FRAME TYPE H21.1 H20.2 HOLLOW METAL FRAME TYPE H20.2 H20.1 HOLLOW METAL FRAME TYPE H20.1

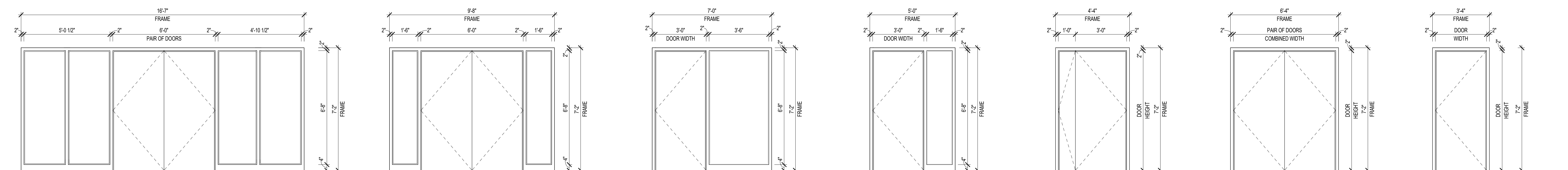
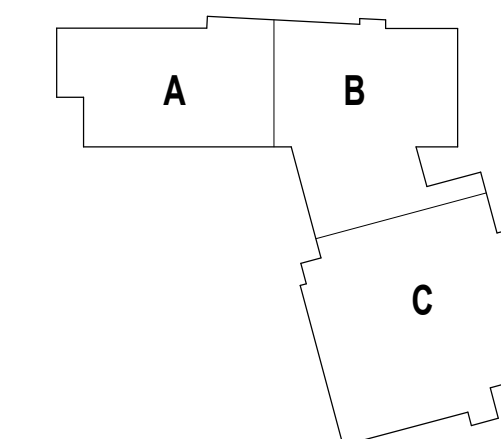
2 HOLLOW METAL WINDOWS TYPES
3/8" = 1'-0"

100% CONSTRUCTION DOCUMENTS

KEY PLAN NORTH ARROW



KEYPLAN



F5.1 HOLLOW METAL FRAME TYPE F5.1 F4.1 HOLLOW METAL FRAME TYPE F4.1 F3.2 HOLLOW METAL FRAME TYPE F3.2 F3.1 HOLLOW METAL FRAME TYPE F3.1 F2.2 HOLLOW METAL FRAME TYPE F2.2 F2.1 HOLLOW METAL FRAME TYPE F2.1 F1.1 HOLLOW METAL FRAME TYPE F1.1

1 HOLLOW METAL FRAME TYPES
3/8" = 1'-0"

DRAWING NAME:

**HOLLOW METAL DOOR
FRAME TYPES**

DRAWN BY: CHR

REVIEWED BY: CHR / KK

SCALE: AS INDICATED | DRAWING NUMBER:

JOB NO.: 2202.02

DATE: OCTOBER 13, 2023

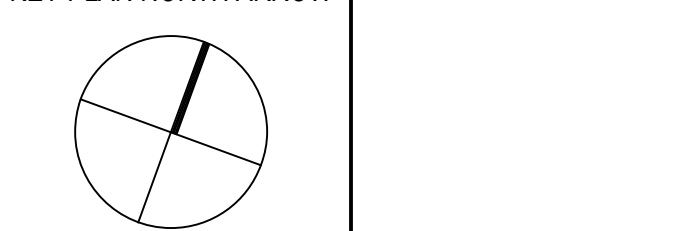
A6.50A

- 07 21 00.22 GLASS FIBER ACOUSTICAL BLANKET INSULATION - MATCH DEPTH OF STUD - UNFINISHED
- 07 21 00.30 MINERAL WOOL INSULATION
- 07 92 00.01 JOINT SEALANT - TYPE AS REQUIRED
- 07 92 00.02 BACKER ROD AND SEALANT - TYPE AS REQUIRED
- 08 11 13.10 STEEL DOOR - SEE SCHEDULE FOR TYPES
- 08 11 13.11 STEEL FRAME - SEE SCHEDULE FOR TYPES
- 08 11 13.20 STEEL FRAME CLIP BY FRAME INSTALLER
- 08 11 13.30 3/4" x 3/4" GLAZING STOP
- 08 14 16.01 SOLID CORE FLUSH WOOD DOOR - SEE DOOR SCHEDULE
- 09 21 16.31 GYPSUM BOARD - 5/8 INCH TYPE X - 1 LAYER
- 09 21 16.32 GYPSUM BOARD - 5/8 INCH TYPE X - 2 LAYERS
- 09 22 16.20 METAL STUD - REFER TO FLOOR PLANS FOR DEPTH
- 09 22 16.31 BOARDS - REFER TO FLOOR PLANS FOR DEPTH
- 09 22 16.52 DOUBLE STUD JAMB - SIZE AS REQUIRED
- 09 29 00.01 5/8 INCH GYPSUM BOARD - LEVEL 4 FINISH - 1 LAYER
- 09 29 00.02 5/8 INCH GYPSUM BOARD - LEVEL 4 FINISH - 2 LAYERS
- 09 29 00.11 5/8 INCH PLYWOOD - FIRE RETARDANT TREATED
- 09 29 00.21 5/8 INCH GYPSUM BOARD - LEVEL 4 FINISH - SAC-RESISTANT
- 09 29 00.31 5/8 INCH GYPSUM BOARD - LEVEL 4 FINISH - IMPACT RESISTANT
- 09 29 00.43 CORNER READ
- 09 72 16.01 VINYL WALL CLADDING - REFERENCE ELEVATIONS FOR TYPE
- 09 91 00.01 PAINT - SEE SCHEDULE
- 11 66 23.01 WALL PADDING - TYPE 1

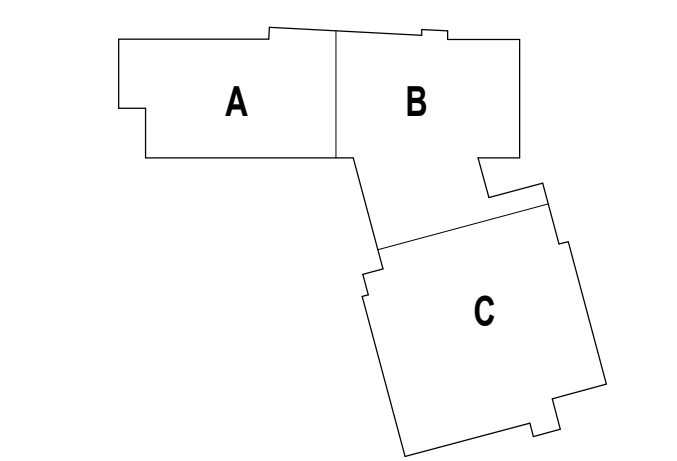
- GENERAL NOTES:**
1. REFERENCE FLOOR PLANS, REFLECTED CEILING PLANS, AND INTERIOR ELEVATIONS FOR ADDITIONAL INFORMATION AND RELATED CONDITIONS.
 2. REFER TO PARTITION TYPES ON A1.04 FOR TYPICAL WALL HEAD DETAILS AT FLOOR SLAB & ROOF DECK.

100% CONSTRUCTION DOCUMENTS

KEY PLAN NORTH ARROW



KEYPLAN



DRAWING NAME:

HOLLOW METAL FRAME DETAILS

DRAWN BY: CHR

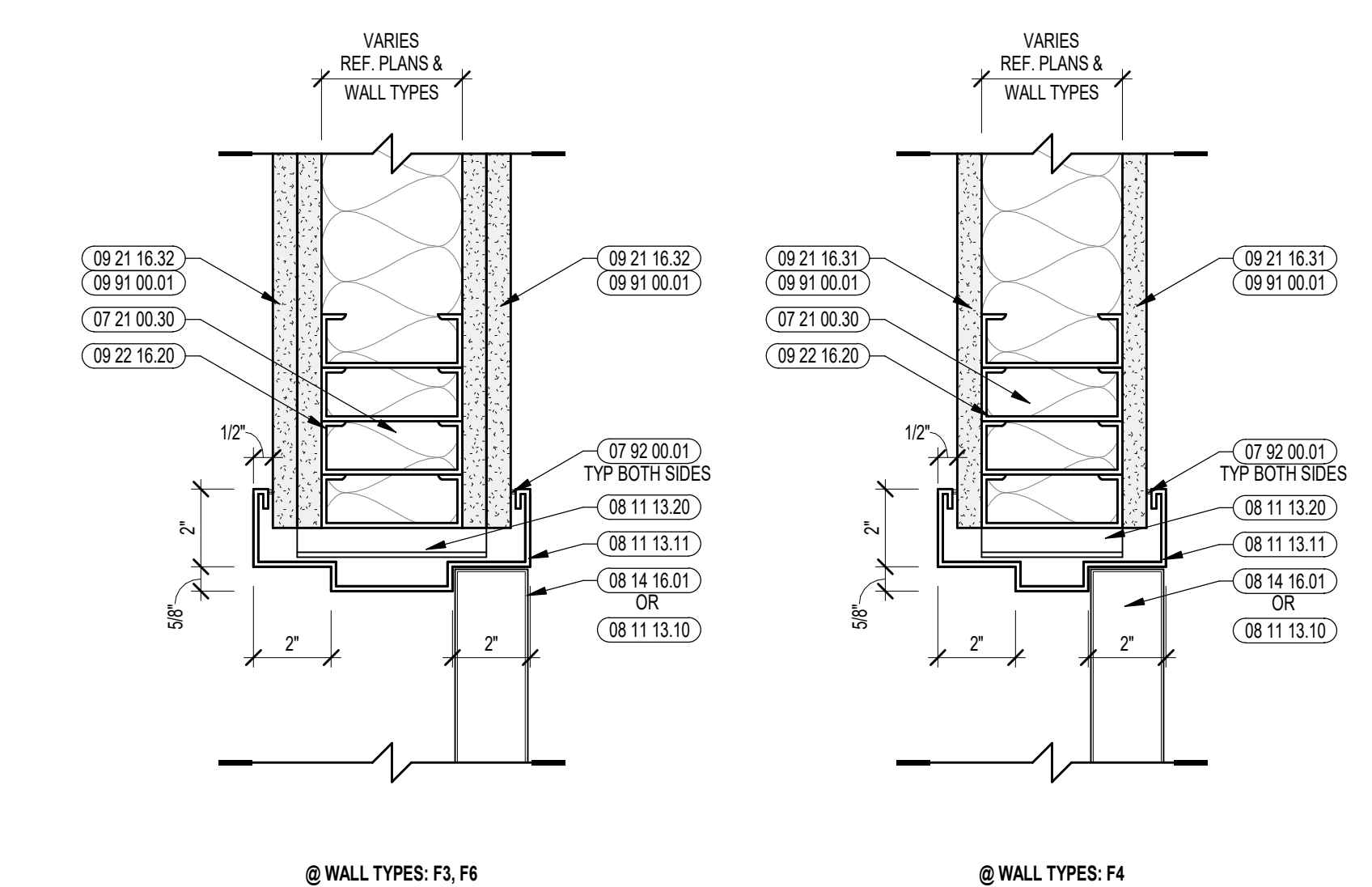
REVIEWED BY: CHR / KK

SCALE: AS INDICATED | DRAWING NUMBER:

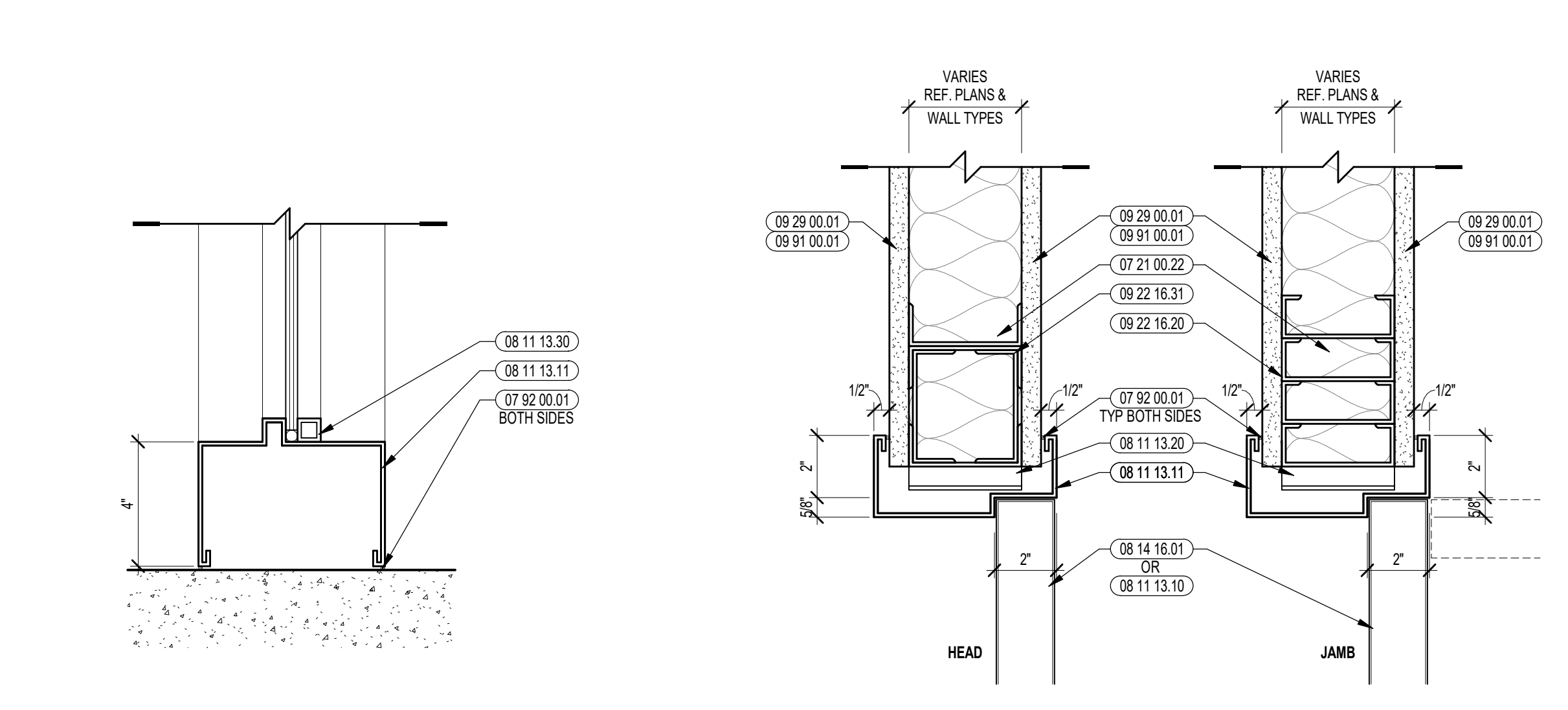
JOB NO.: 2202.02

DATE: OCTOBER 13, 2023

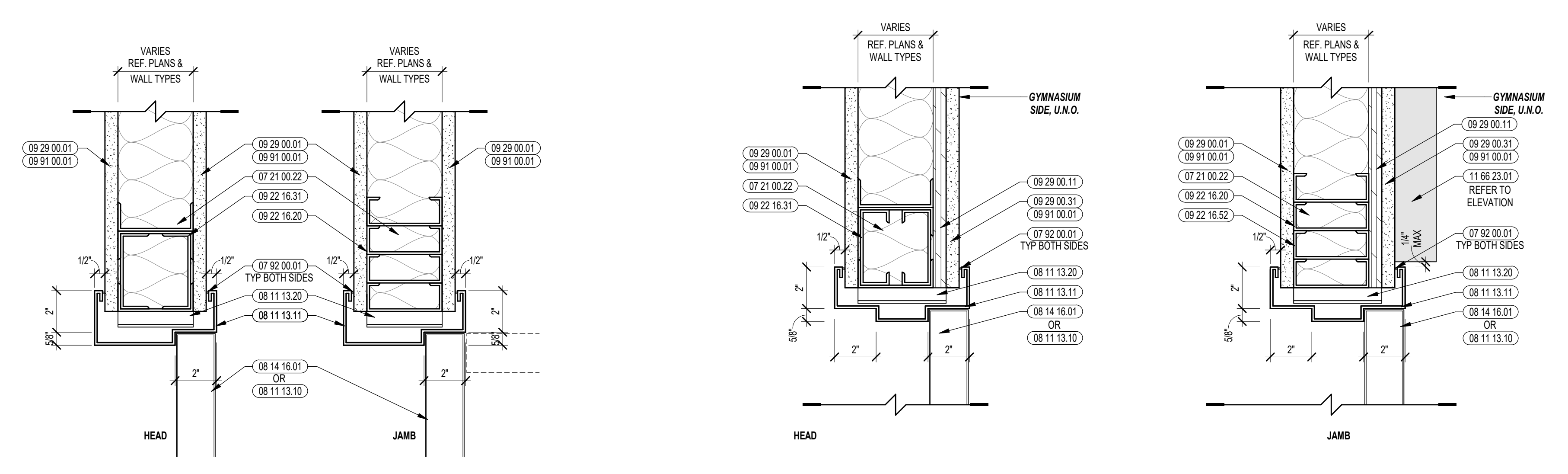
A6.51



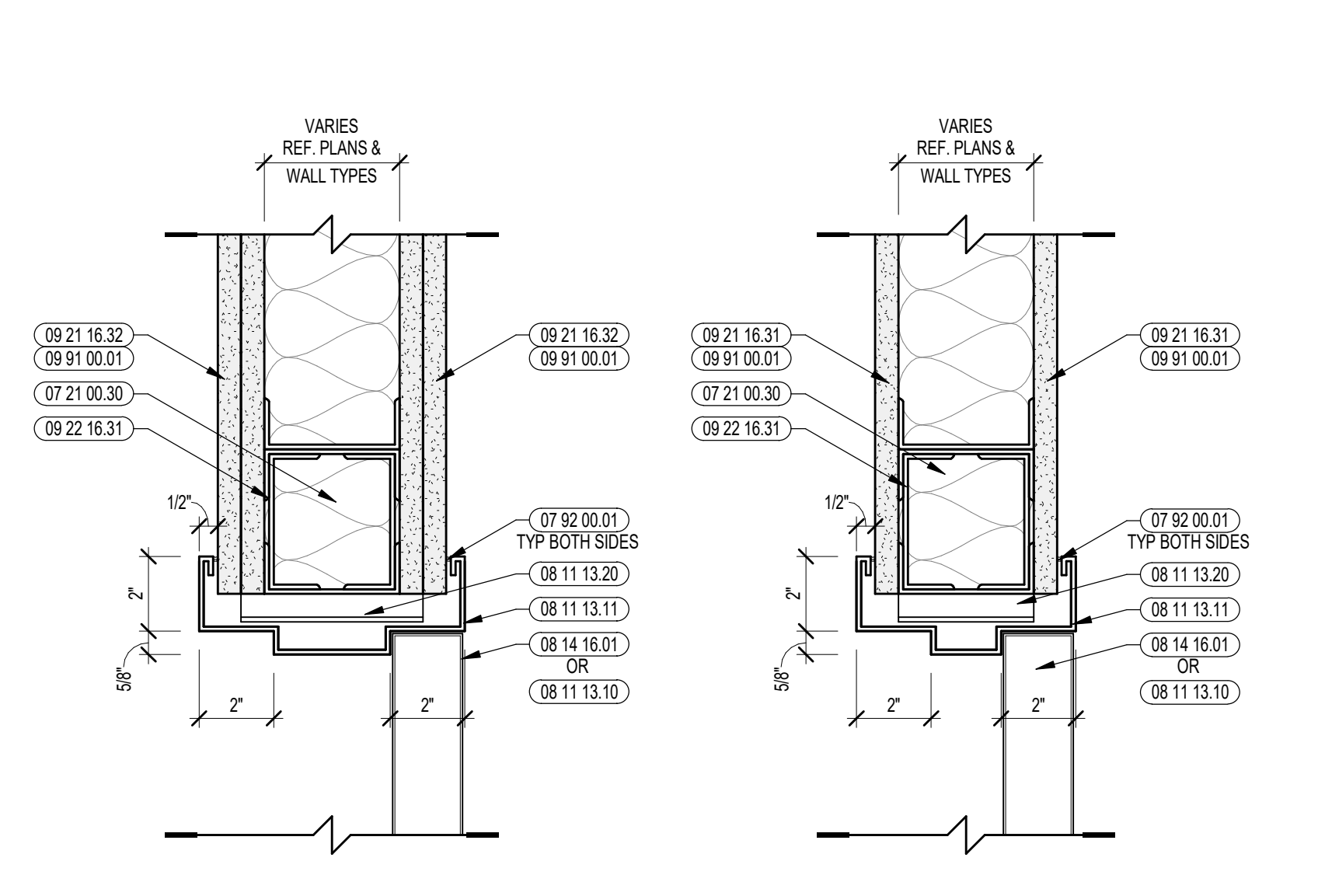
13 JAMB DETAILS @ FIRE-RATED WALL OPENINGS 4' OR GREATER
3" = 1'-0"



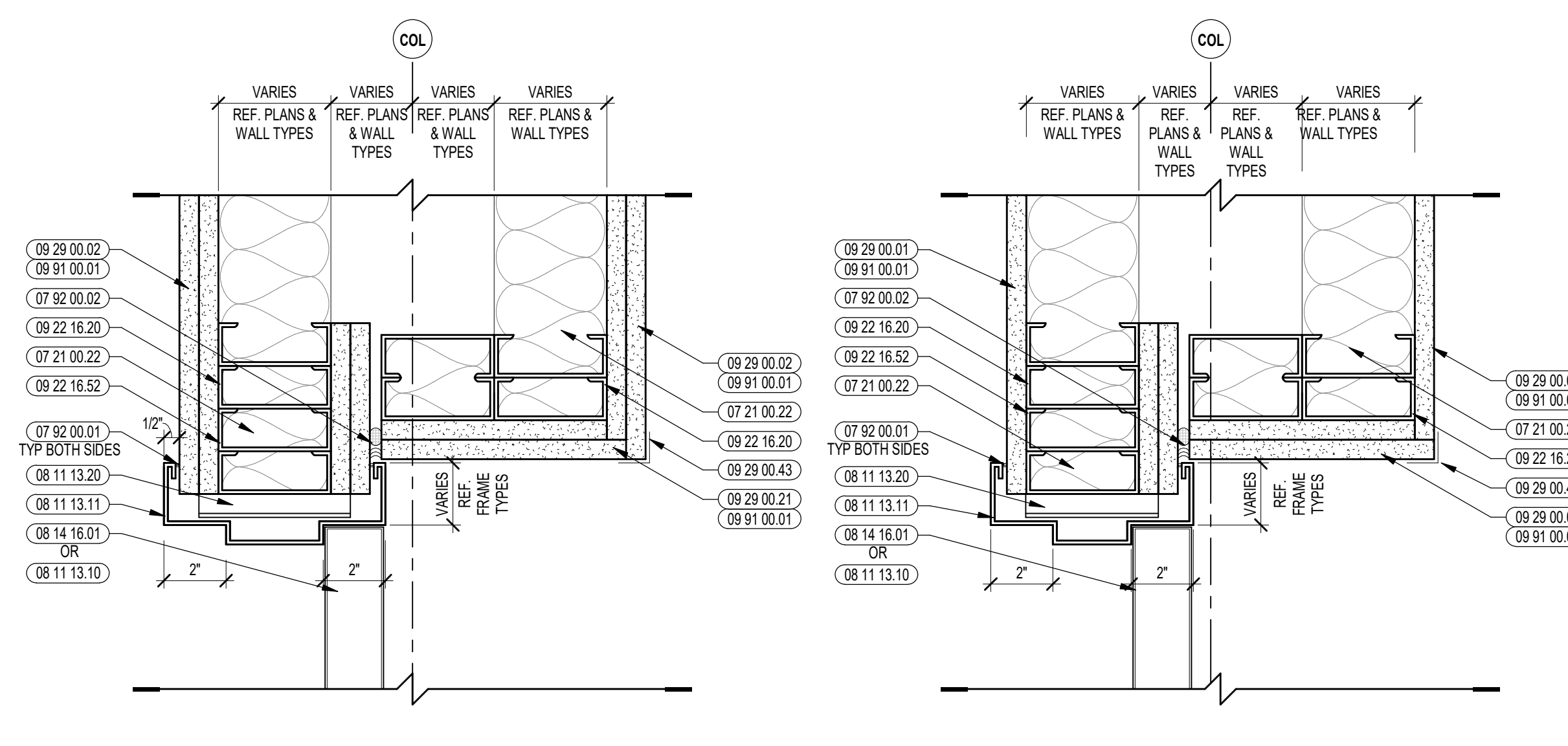
12 TYPICAL SILL DETAIL @ FLOOR
3" = 1'-0"



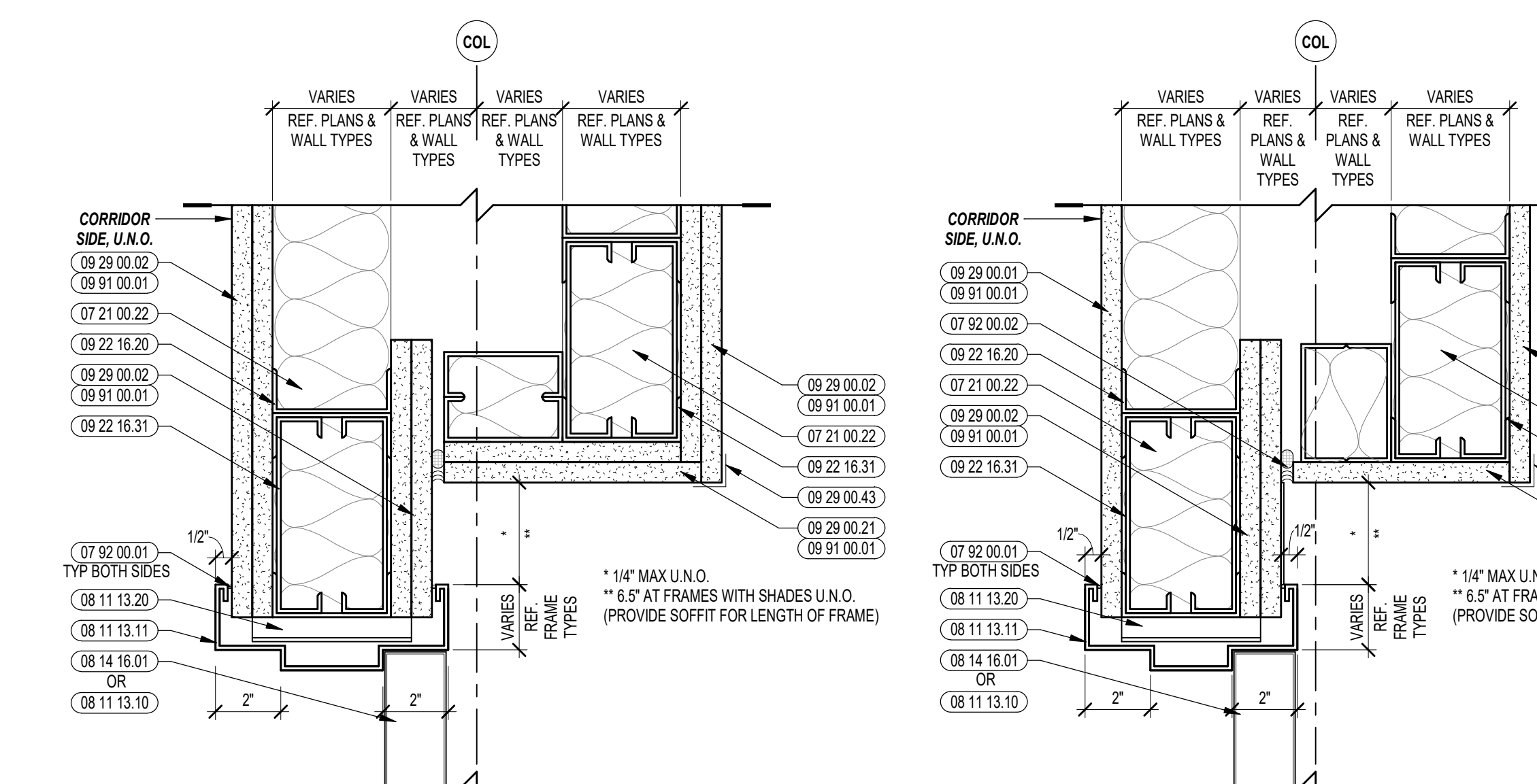
11 DOOR DETAILS @ SINGLE RABBET FRAMES
3" = 1'-0"



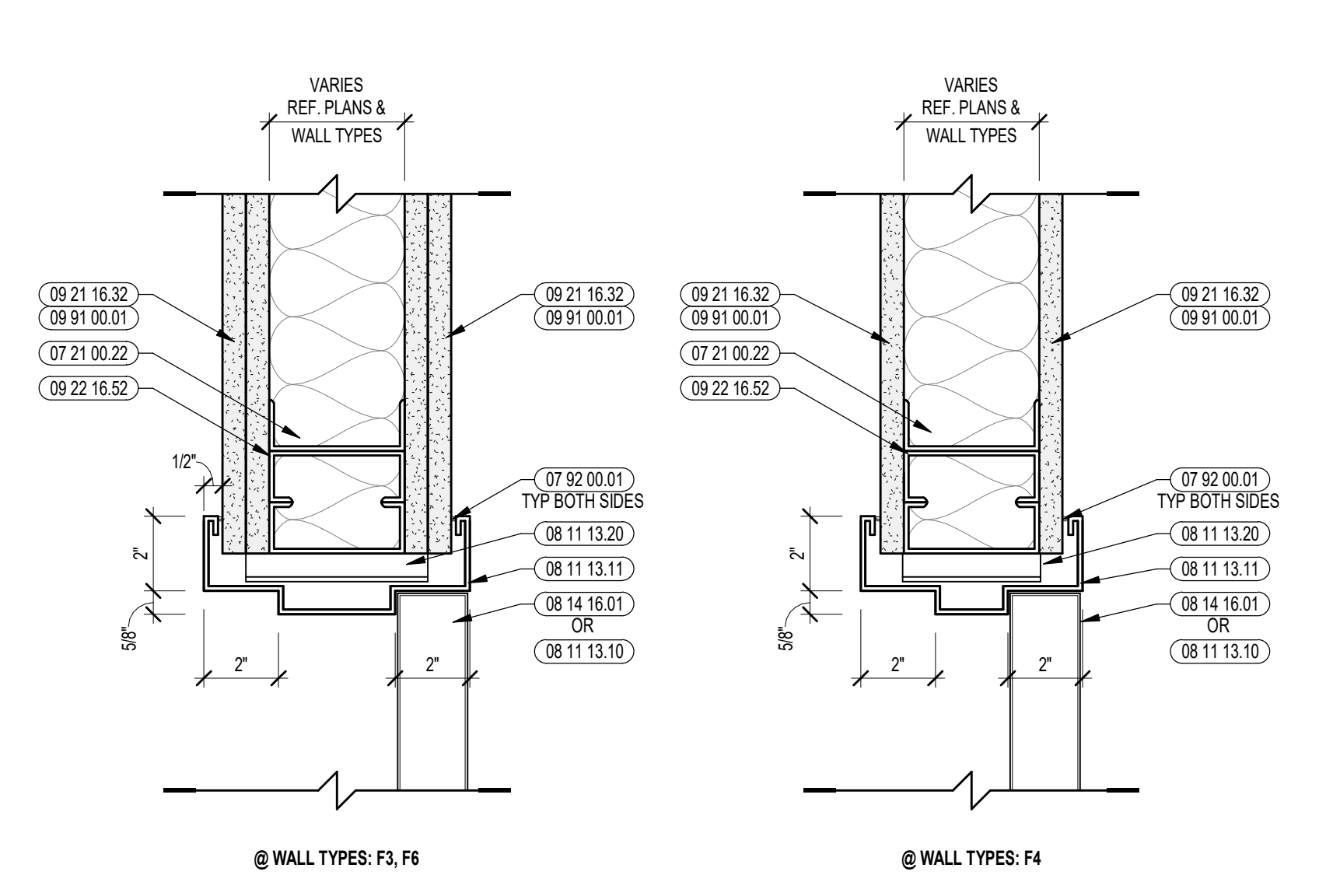
9 HEAD DETAILS @ FIRE-RATED WALL OPENINGS 4' OR GREATER
3" = 1'-0"



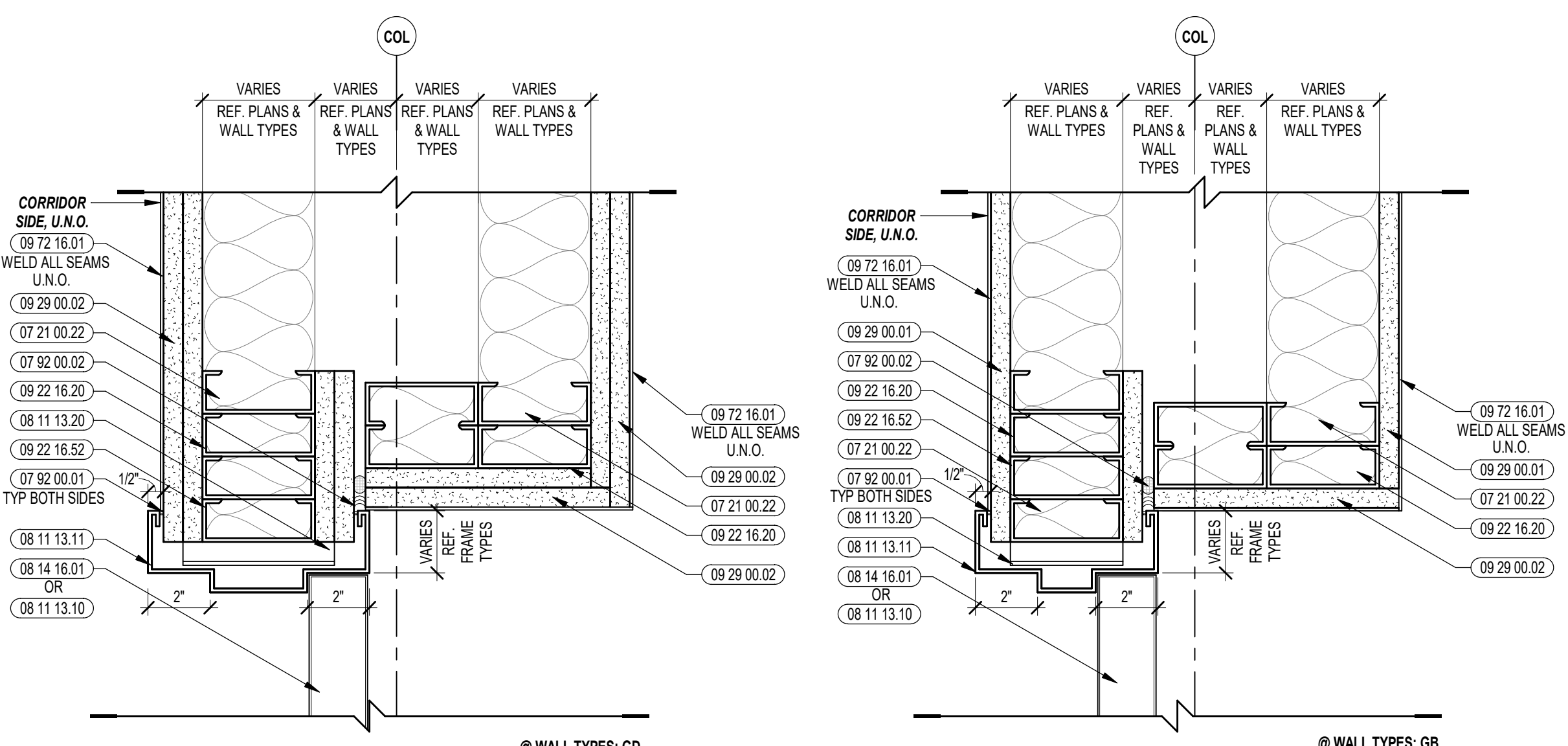
8 TYPICAL JAMB DETAIL - PERPENDICULAR
3" = 1'-0"



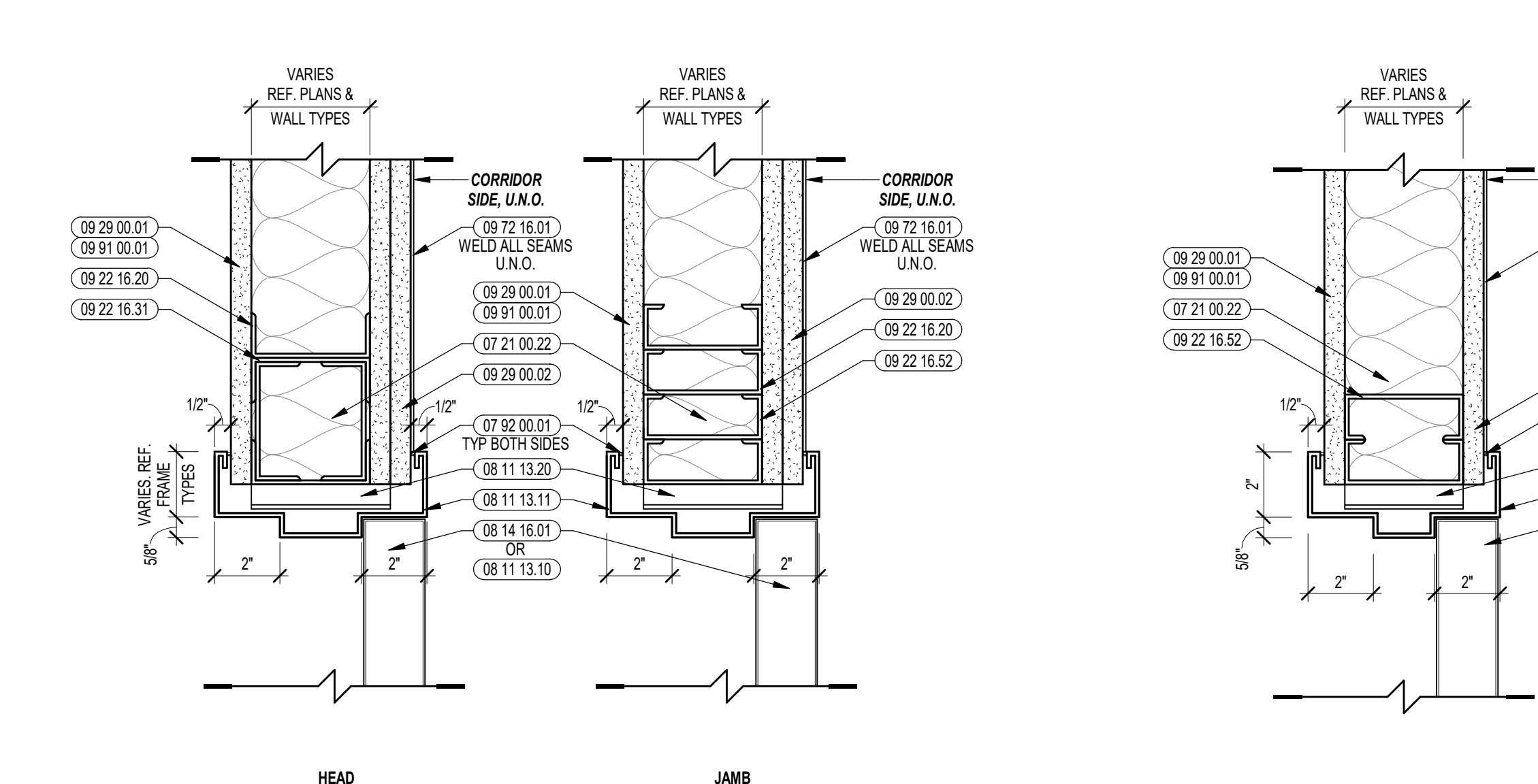
7 TYPICAL HEAD DETAIL - PERPENDICULAR
3" = 1'-0"



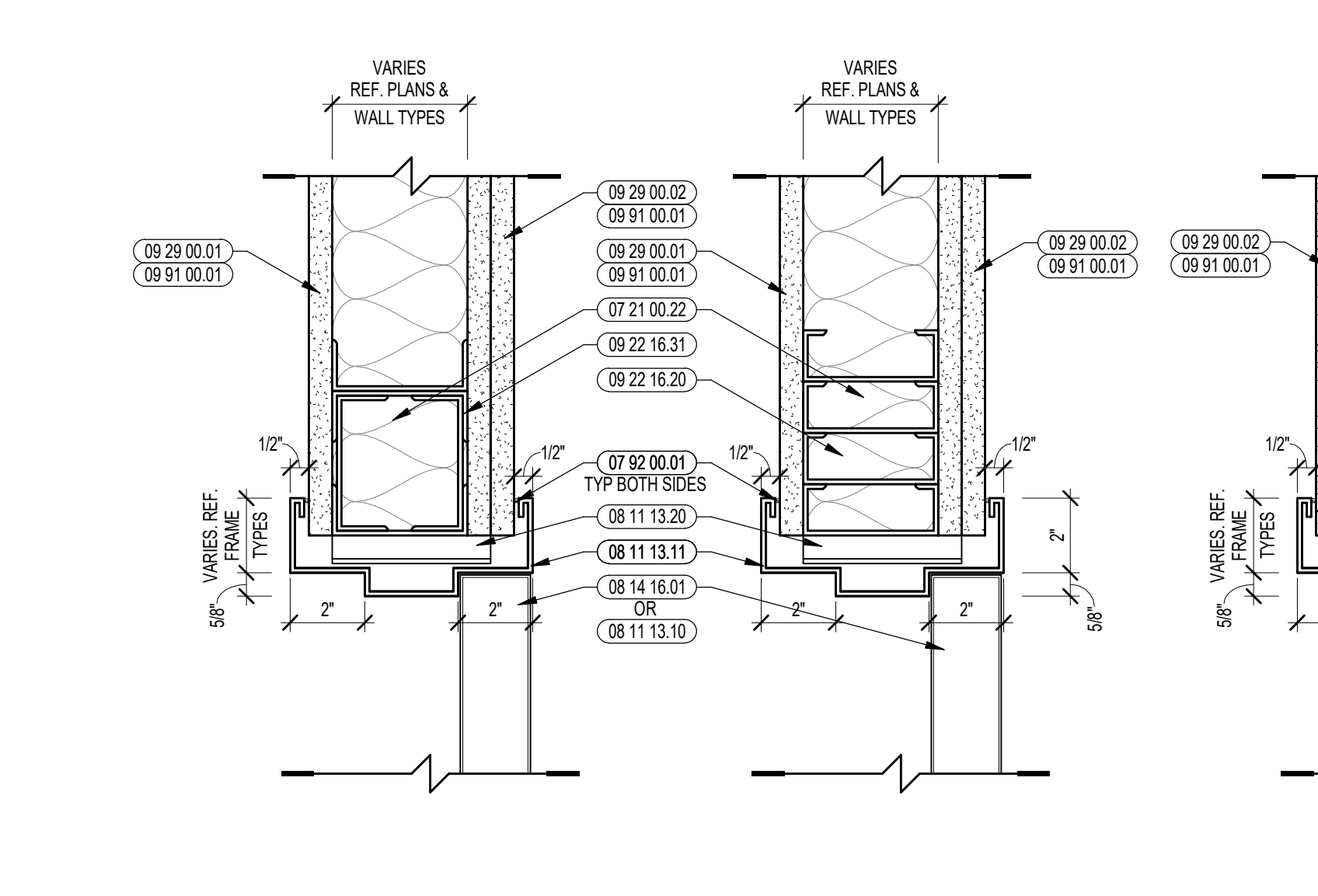
6 DOOR DETAILS @ FIRE-RATED WALL
3" = 1'-0"



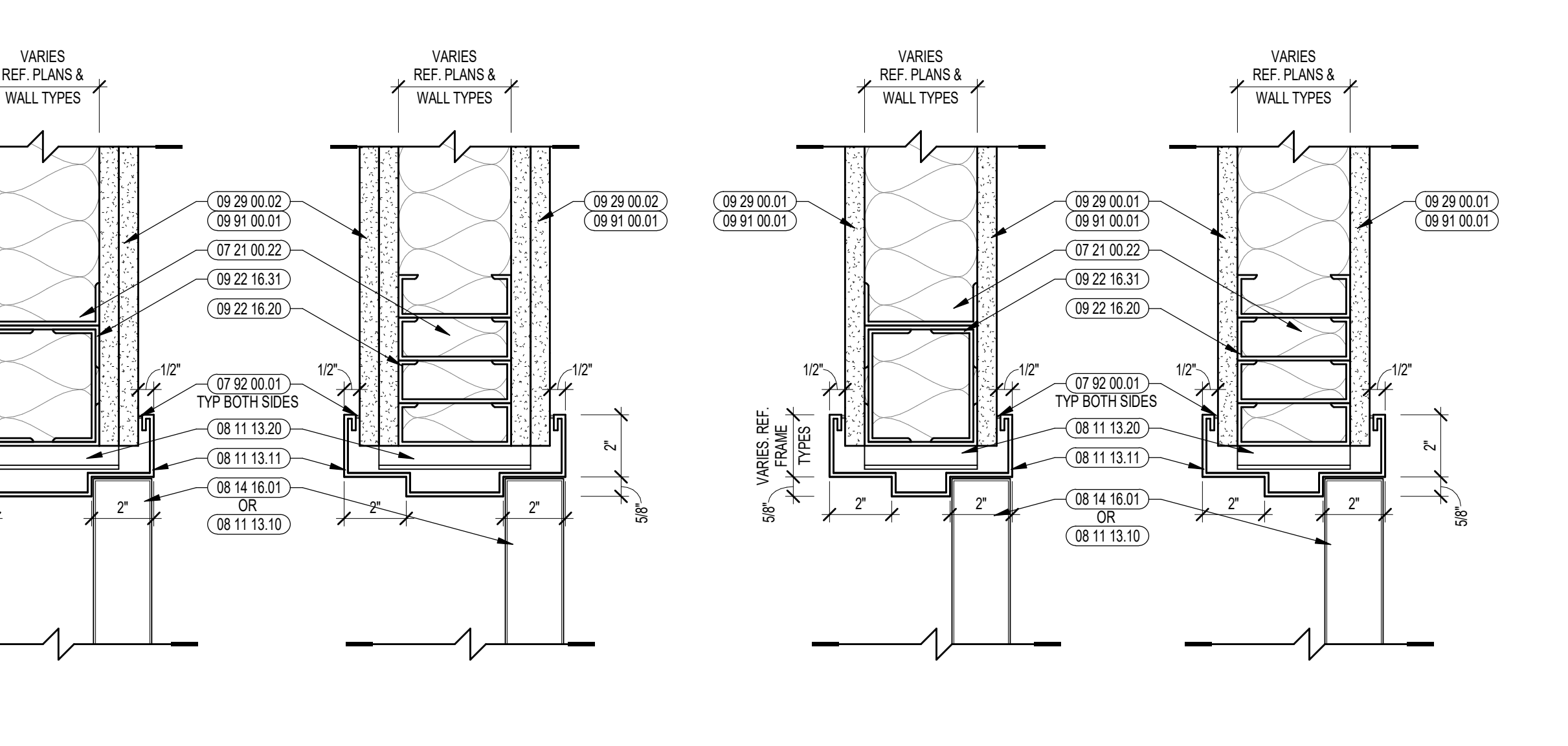
5 TYPICAL JAMB DETAIL - PERPENDICULAR
3" = 1'-0"



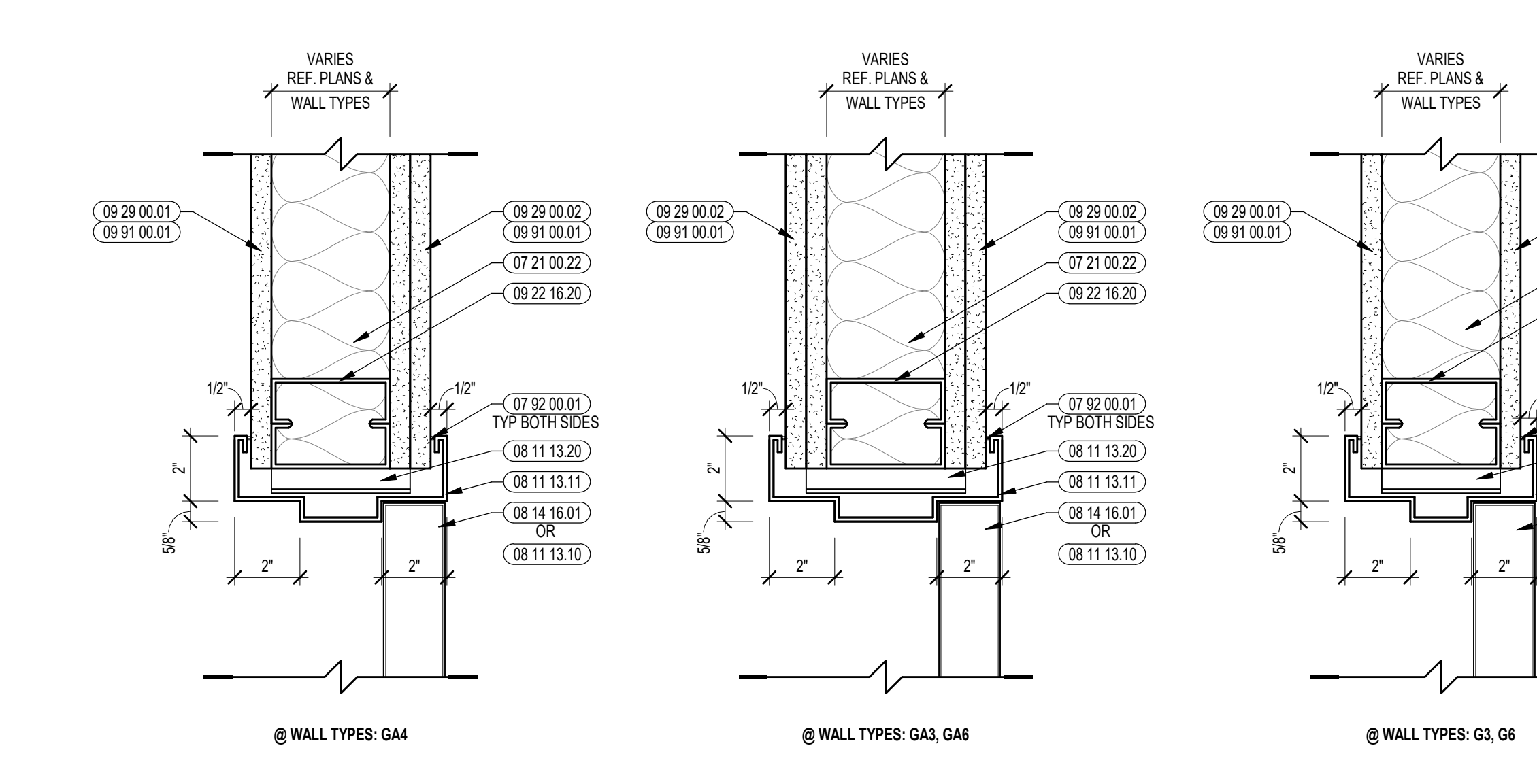
4 DOOR DETAILS @ VINYL WALL CLADDING, OPENINGS 4'-0\"/>



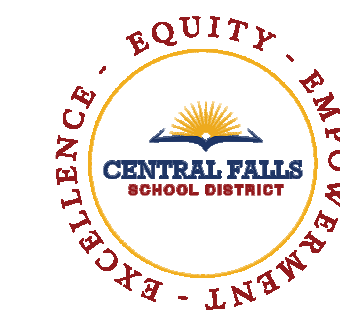
3 DOOR DETAIL @ VINYL WALL CLADDING, OPENINGS UNDER 4'-0\"/>



2 DOOR DETAILS @ OPENINGS 4' OR GREATER
3" = 1'-0"



1 DOOR DETAILS @ OPENINGS UNDER 4'-0\"/>



CENTRAL FALLS HIGH SCHOOL
10 HIGGINSON AVE, CENTRAL FALLS, RI

Copyright © 2023, A3 Architects, Inc.

KEYNOTE LEGEND:

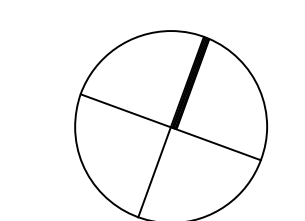
- 07 21 00.22 GLASS FIBER ACOUSTICAL BLANKET INSULATION - MATCH DEPTH OF STUD - UNGRADED
- 07 21 00.30 MINERAL WOOL INSULATION
- 07 92 00.01 JOINT SEALANT - TYPE AS REQUIRED
- 08 11 13.10 STEEL DOOR - SEE SCHEDULE FOR TYPES
- 08 11 13.11 STEEL FRAME - SEE SCHEDULE FOR TYPES
- 08 11 13.20 STEEL FRAME CLIP BY FRAME INSTALLER
- 08 14 16.01 SOLID CORE FLUSH WOOD DOOR - SEE DOOR SCHEDULE
- 09 21 16.31 GYPSUM BOARD - 5/8 INCH TYPE X - 1 LAYER
- 09 21 16.32 GYPSUM BOARD - 5/8 INCH TYPE X - 2 LAYERS
- 09 22 16.20 METAL STUD - REFER TO FLOOR PLANS FOR DEPTH
- 09 22 16.31 BOXED HEADER
- 09 22 16.52 DOUBLE STUD JAMB - SIZE AS REQUIRED
- 09 29 00.01 5/8 INCH GYPSUM BOARD - LEVEL 4 FINISH - 1 LAYER
- 09 29 00.02 5/8 INCH GYPSUM BOARD - LEVEL 4 FINISH - 2 LAYERS
- 09 29 00.11 5/8 INCH PLYWOOD - FIRE RETARDANT TREATED
- 09 29 00.31 5/8 INCH GYPSUM BOARD - LEVEL 4 FINISH - IMPACT RESISTANT
- 09 72 16.01 VINYL WALL CLADDING - REFERENCE ELEVATIONS FOR TYPE
- 09 77 33.01 GLASS FIBER REINFORCED PLASTIC PANEL
- 11 66 23.01 WALL PADDING - TYPE 1

GENERAL NOTES:

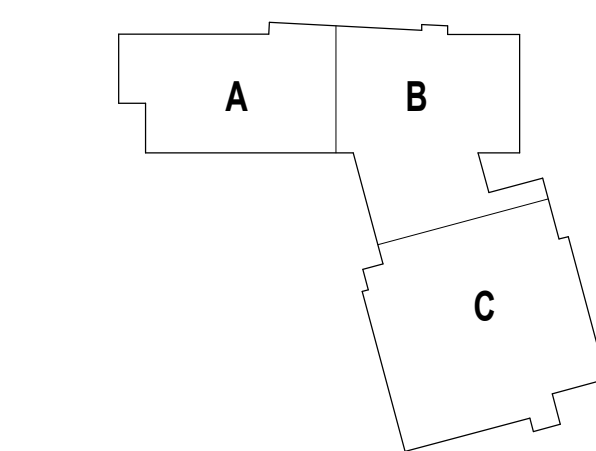
1. REFERENCE FLOOR PLANS, REFLECTED CEILING PLANS, AND INTERIOR ELEVATIONS FOR ADDITIONAL INFORMATION AND RELATED CONDITIONS.
2. REFER TO PARTITION TYPES ON A1.04 FOR TYPICAL WALL HEAD DETAILS AT FLOOR SLAB & ROOF DECK.

100% CONSTRUCTION DOCUMENTS

KEY PLAN NORTH ARROW



KEYPLAN



DRAWING NAME:

HOLLOW METAL FRAME DETAILS

DRAWN BY: CHR

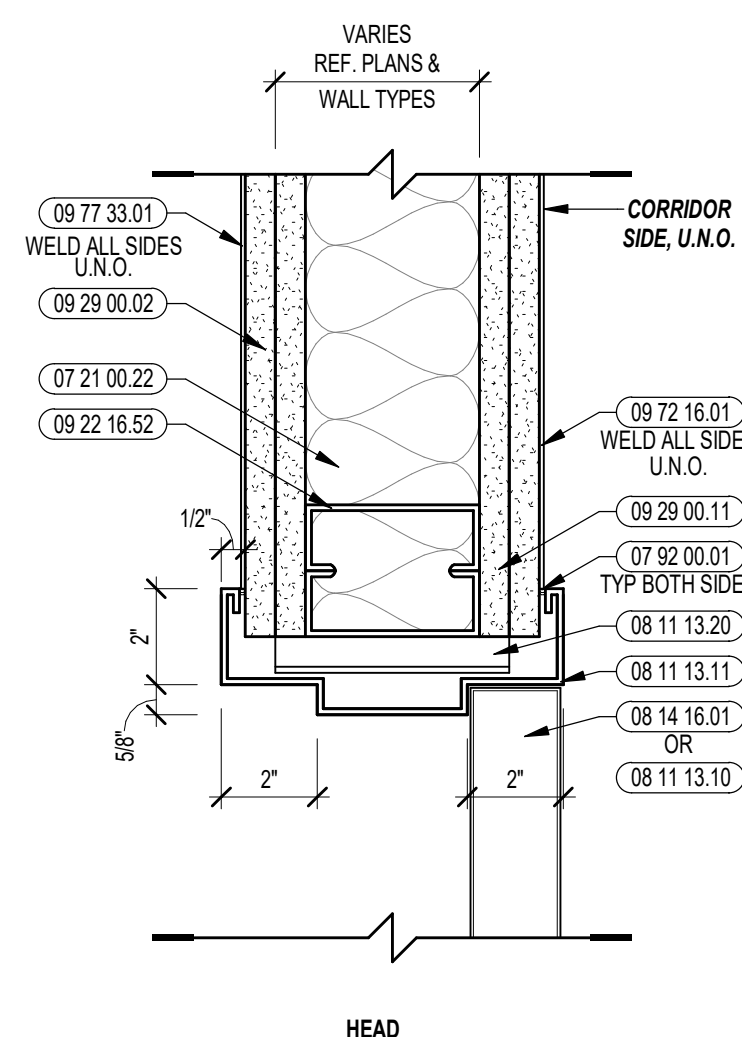
REVIEWED BY: CHR / KK

SCALE: AS INDICATED | DRAWING NUMBER:

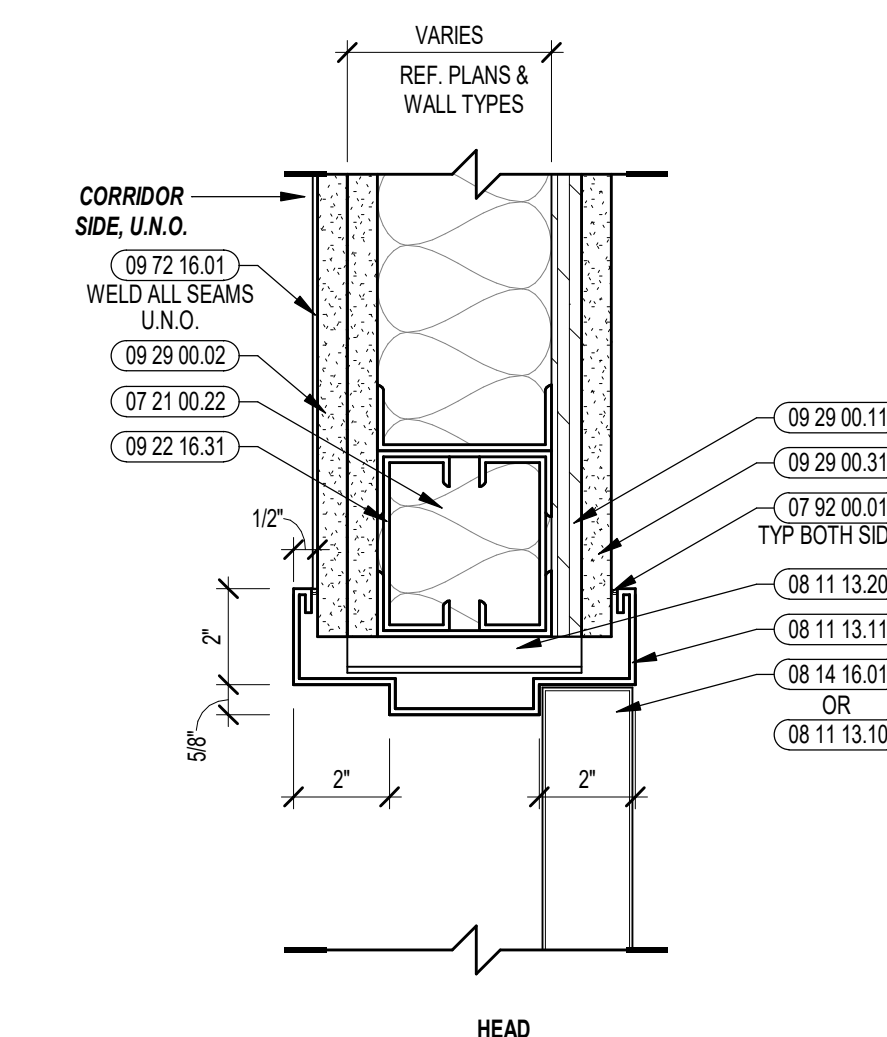
JOB NO.: 2202.02

DATE: OCTOBER 13, 2023

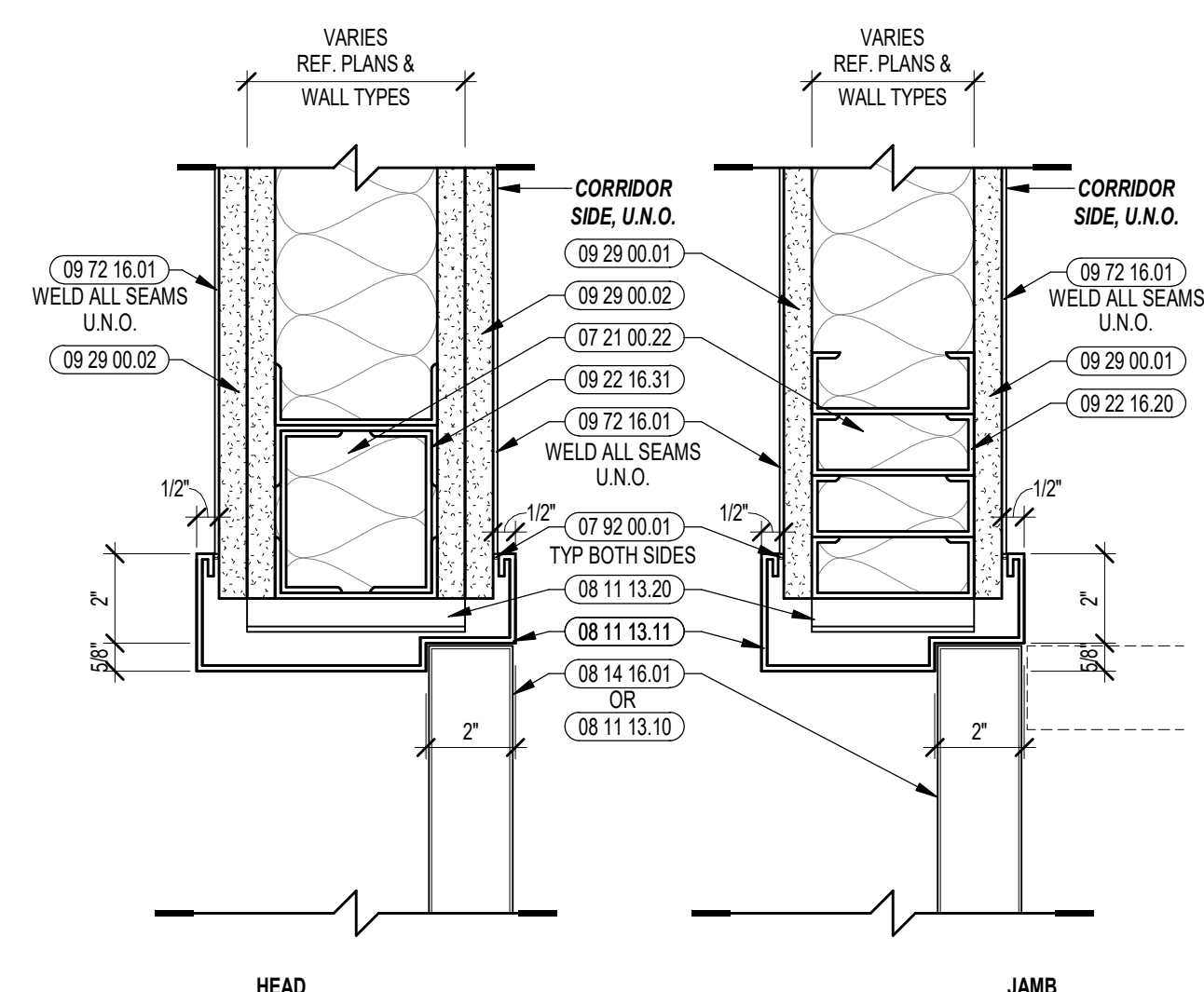
A6.52



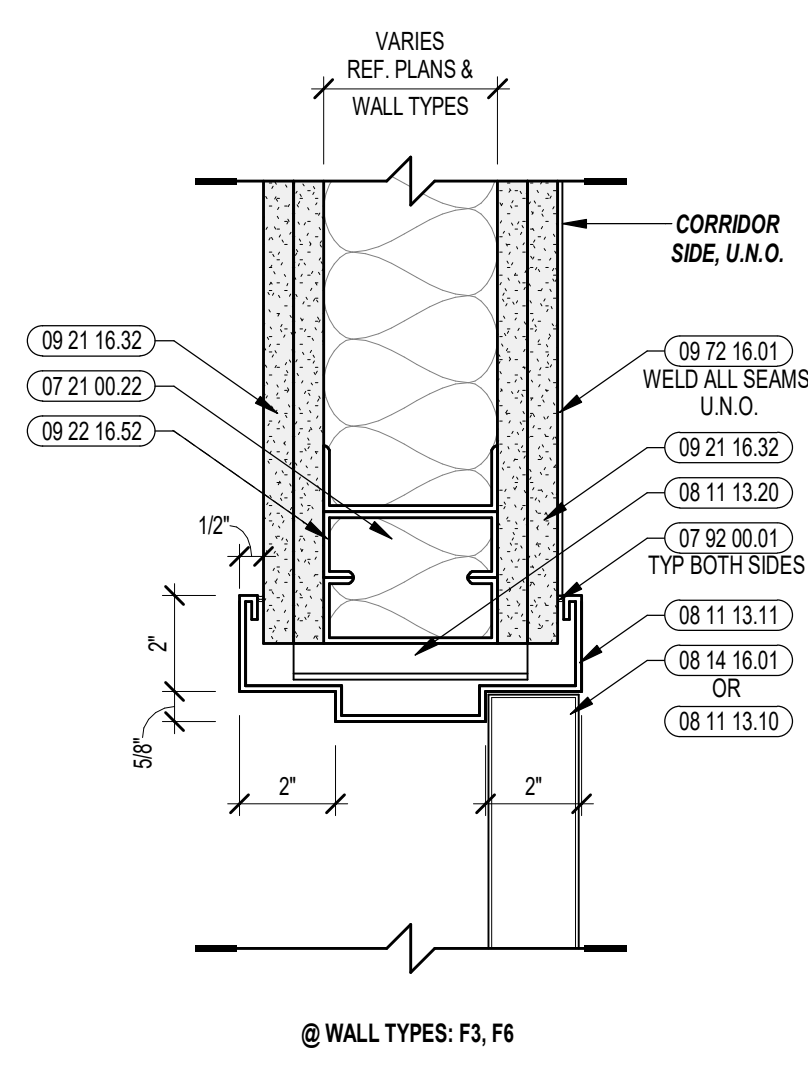
5 DOOR DETAIL @ VINYL WALL CLADDING, OPENINGS UNDER 4'-0"
3" = 1'-0"



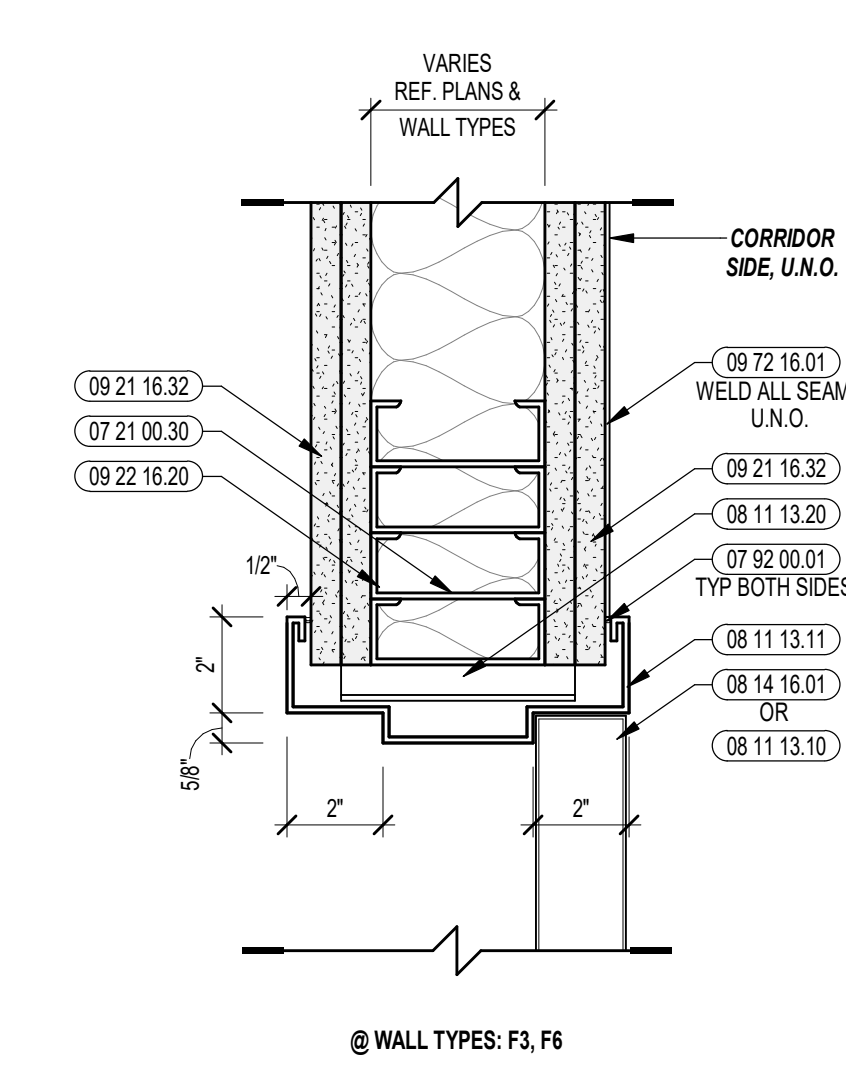
4 DOOR DETAILS @ WALL PADS & IMPACT RESISTANT WALL
3" = 1'-0"



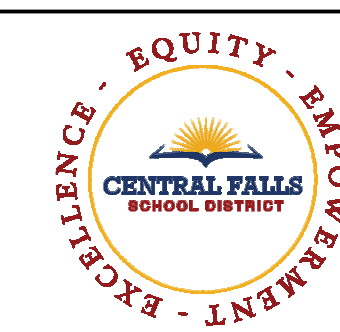
3 DOOR DETAILS @ SINGLE RABBET FRAMES
3" = 1'-0"



2 DOOR JAMB DETAILS @ FIRE-RATED WALL
3" = 1'-0"



1 DETAIL @ FIRE-RATED WALL OPENINGS 4' OR GREATER
3" = 1'-0"



CENTRAL FALLS HIGH SCHOOL
10 HIGGINSON AVE, CENTRAL FALLS, RI

KEYNOTE LEGEND:

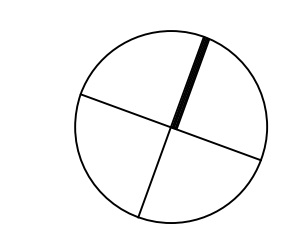
- 03 30 00.01 CONCRETE
- 06 20 00.03 HARDWOOD TRIM - EASED EDGE 1/4 INCH RADIUS - TRANSPARENT FINISH
- 06 20 00.07 HARDWOOD SILL - TRANSPARENT FINISH
- 06 20 00.33 HARDWOOD VENEER PLYWOOD - 3/4 INCH - TRANSPARENT FINISH
- 07 21 00.22 GLASS FIBER ACOUSTICAL BLANKET INSULATION - MATCH DEPTH OF STUD - UNFACED
- 07 92 00.01 JOINT SEALANT - TYPE AS REQUIRED
- 07 92 00.02 BACKER ROD AND SEALANT - TYPE AS REQUIRED
- 08 11 13.10 STEEL DOOR - SEE SCHEDULE FOR TYPES
- 08 11 13.11 STEEL FRAME - SEE SCHEDULE FOR TYPES
- 08 11 13.20 3/4" x 3/4" GLAZING STOP
- 08 14 16.01 SOLID CORE FLUSH WOOD DOOR - SEE DOOR SCHEDULE
- 08 80 00.04 GLASS TYPE A
- 08 80 00.99 GLASS - REFER TO SCHEDULE FOR TYPE
- 09 21 16.32 GYPSUM BOARD - 5/8 INCH TYPE X - 2 LAYERS
- 09 22 16.03 METAL STUD 3-5/8 INCH - 16 INCHES O.C. MAX
- 09 22 16.20 METAL STUD - REFER TO FLOOR PLANS FOR DEPTH
- 09 22 16.31 BOXED HEADER
- 09 22 16.52 DOUBLE STUD JAMB - SIZE AS REQUIRED
- 09 29 00.01 5/8 INCH GYPSUM BOARD - LEVEL 4 FINISH - 1 LAYER
- 09 29 00.02 5/8 INCH GYPSUM BOARD - LEVEL 4 FINISH - 2 LAYERS EACH SIDE
- 09 29 00.43 CORNER BEAD
- 09 72 16.01 VINYL WALL CLADDING - REFERENCE ELEVATIONS FOR TYPE
- 09 91 00.01 PAINT - SEE SCHEDULE
- 11 65 23.01 WALL PADDING - TYPE 1

GENERAL NOTES:

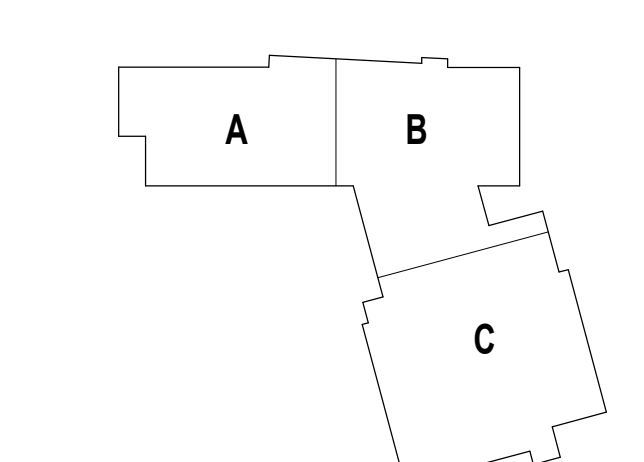
1. REFERENCE FLOOR PLANS, REFLECTED CEILING PLANS, AND INTERIOR ELEVATIONS FOR ADDITIONAL INFORMATION AND RELATED CONDITIONS.
2. REFER TO PARTITION TYPES ON A1.04 FOR TYPICAL WALL HEAD DETAILS AT FLOOR SLAB & ROOF DECK.

100% CONSTRUCTION DOCUMENTS

KEY PLAN NORTH ARROW



KEYPLAN



DRAWING NAME:

HOLLOW METAL FRAME DETAILS

DRAWN BY: CHR

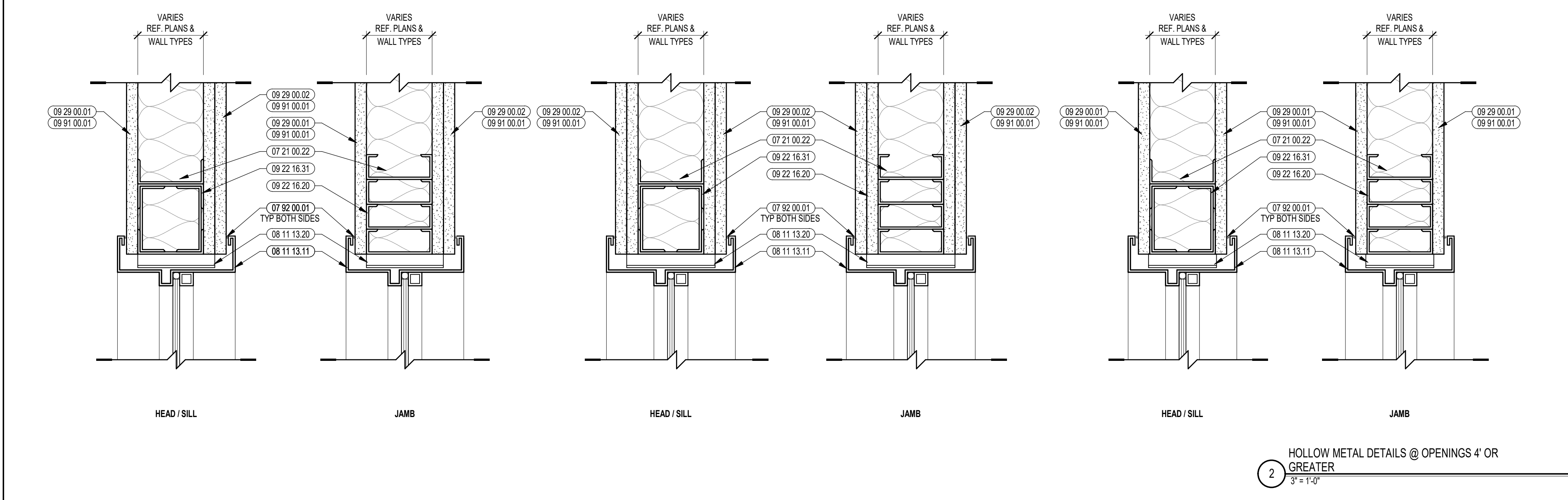
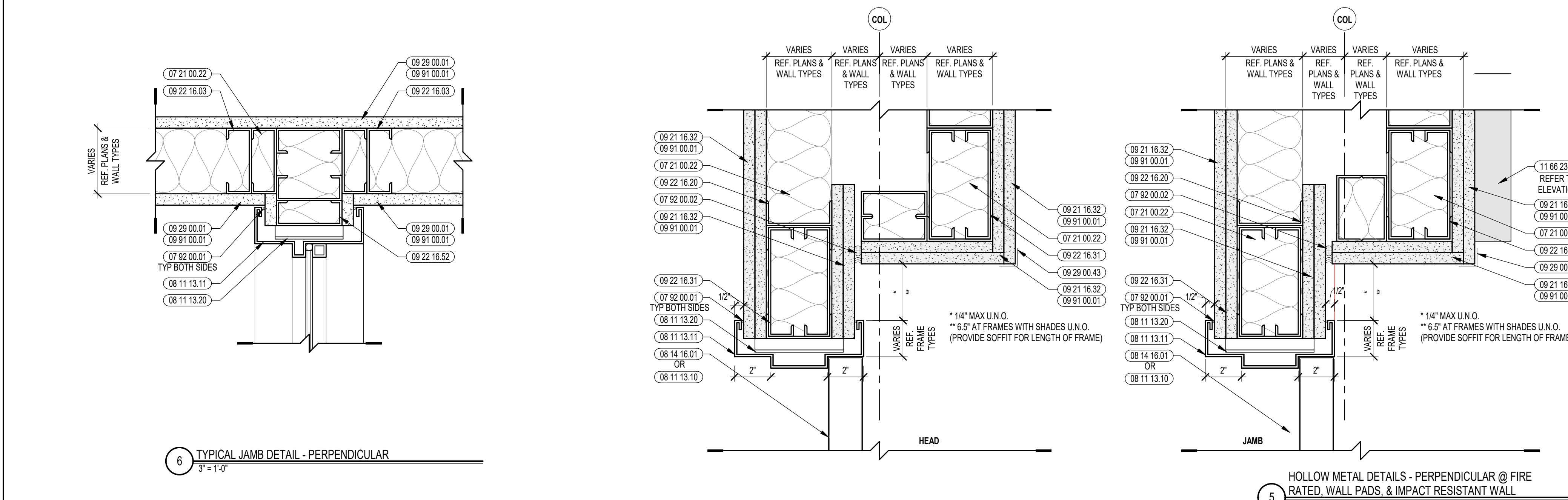
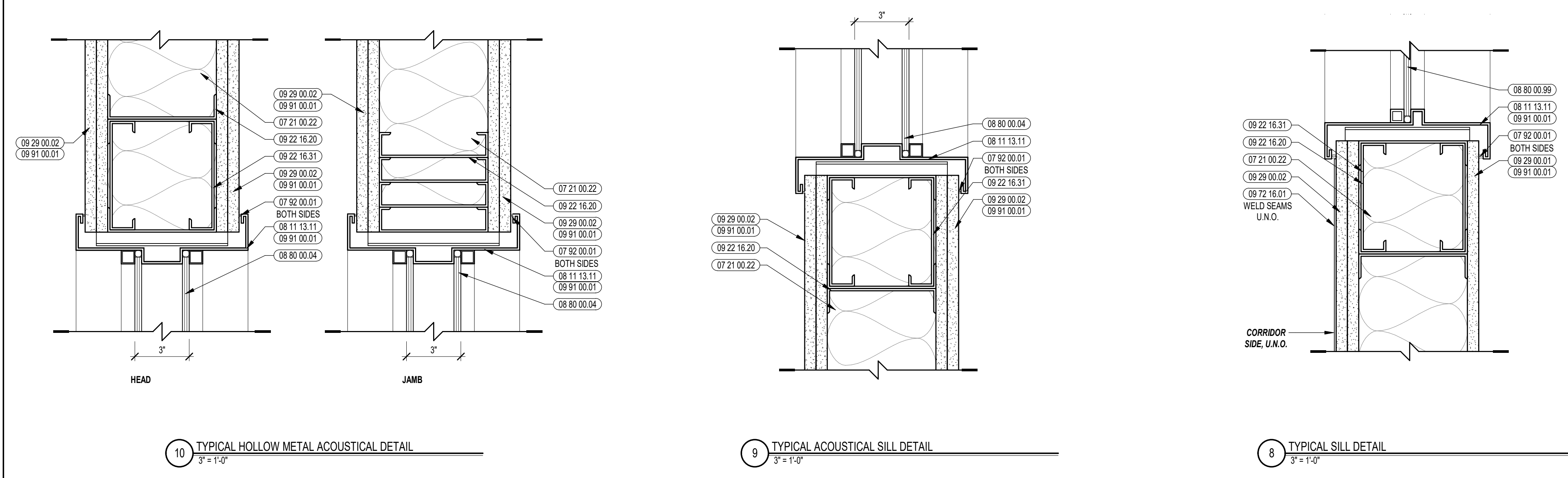
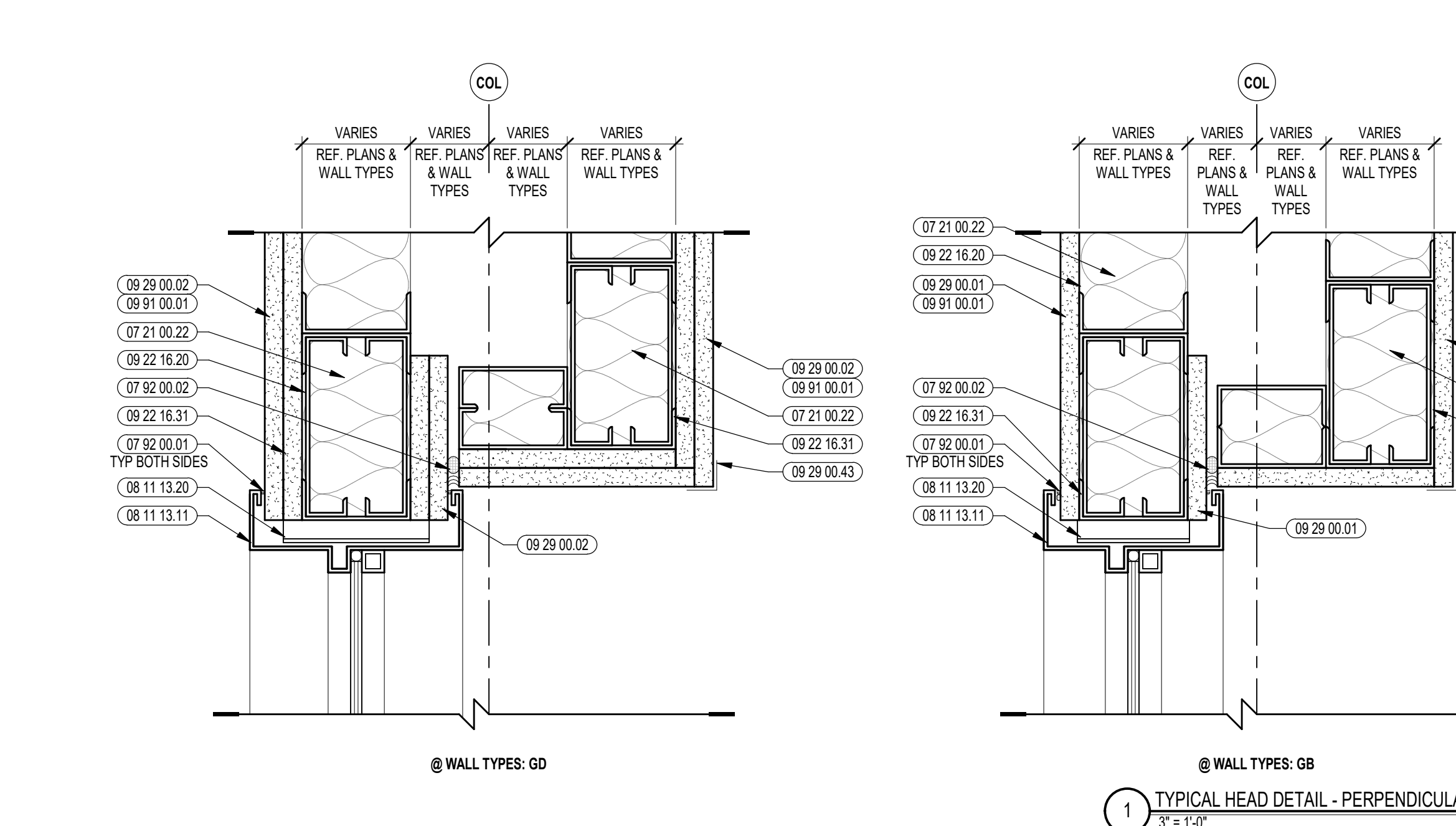
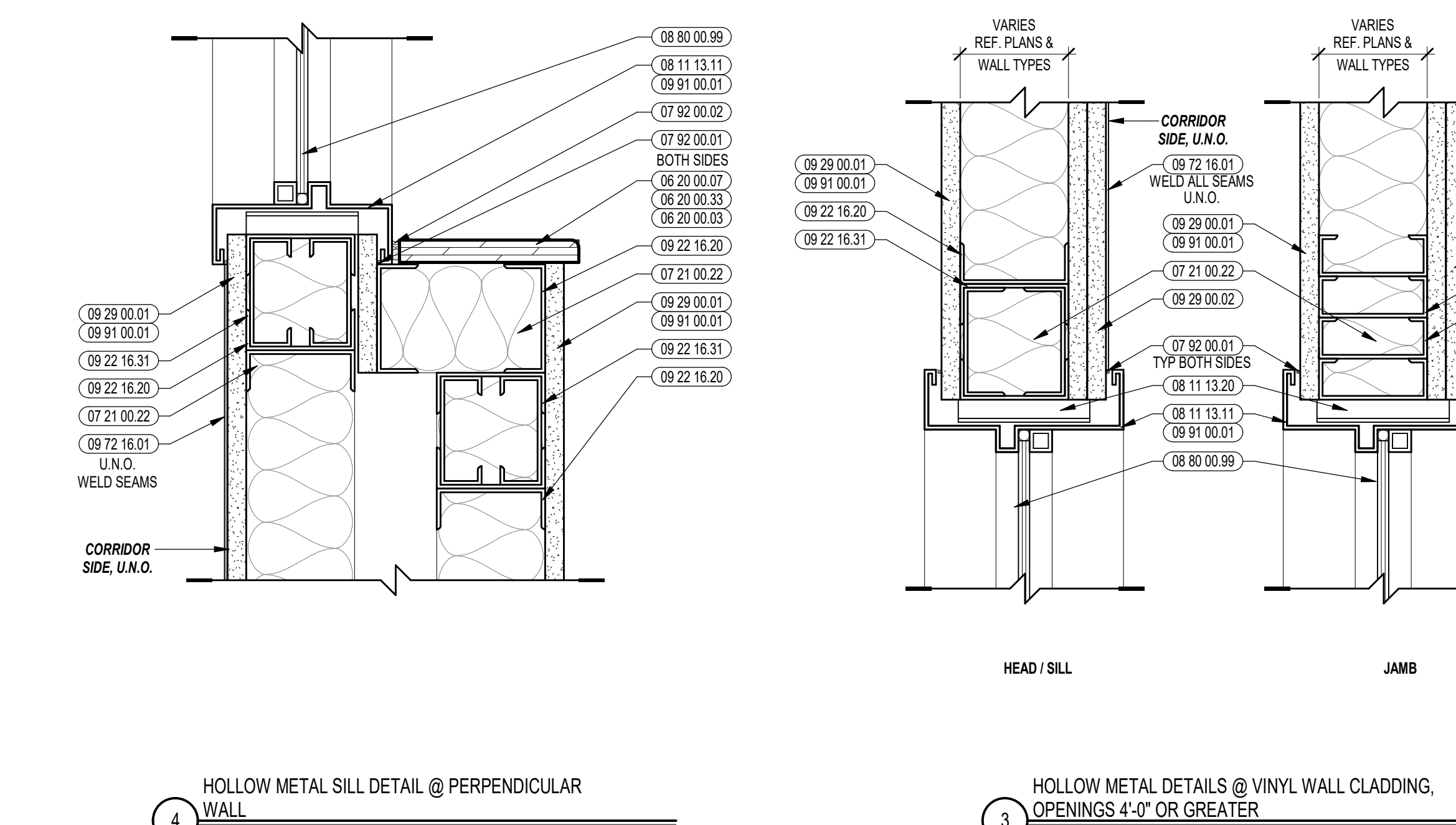
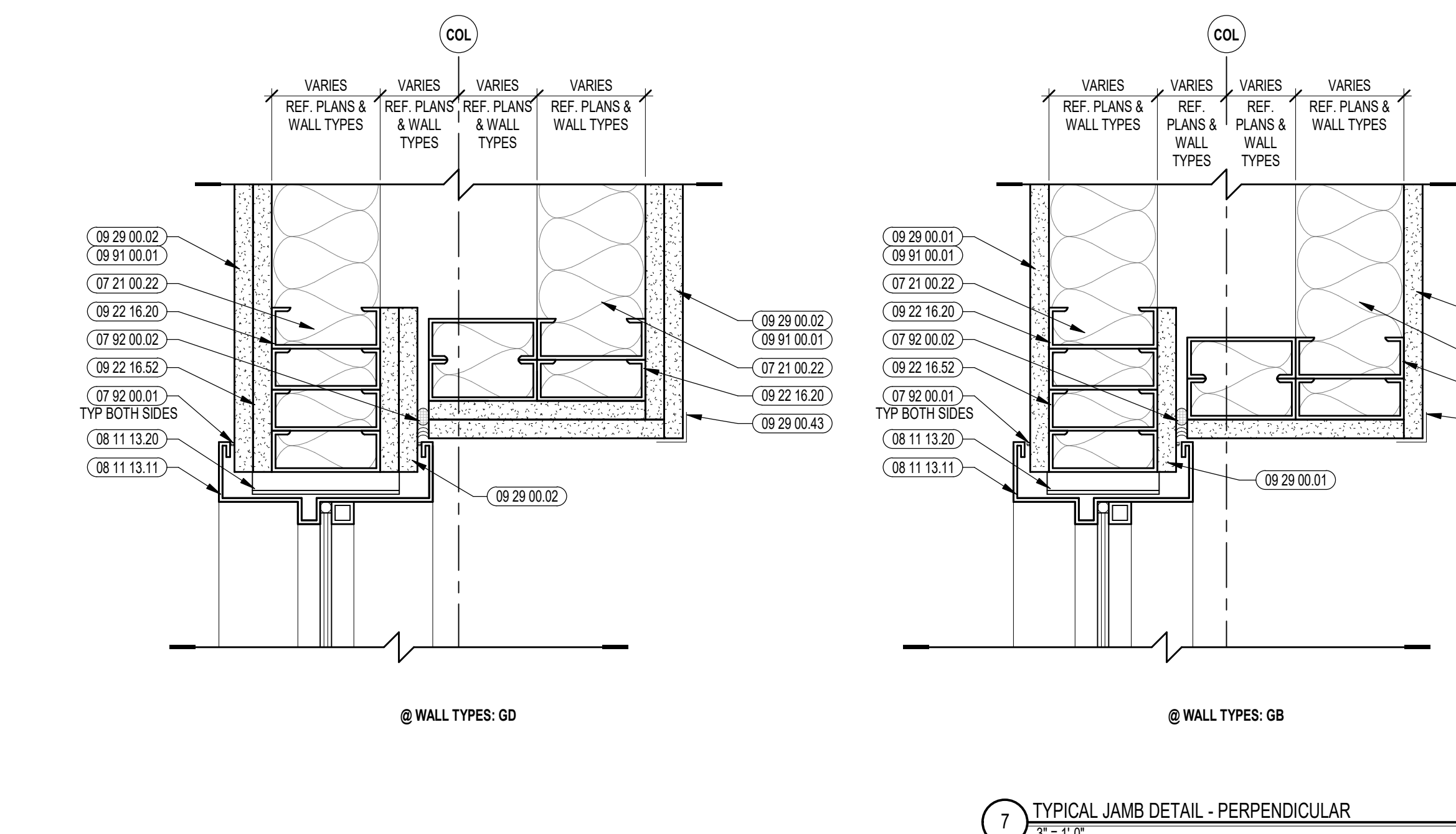
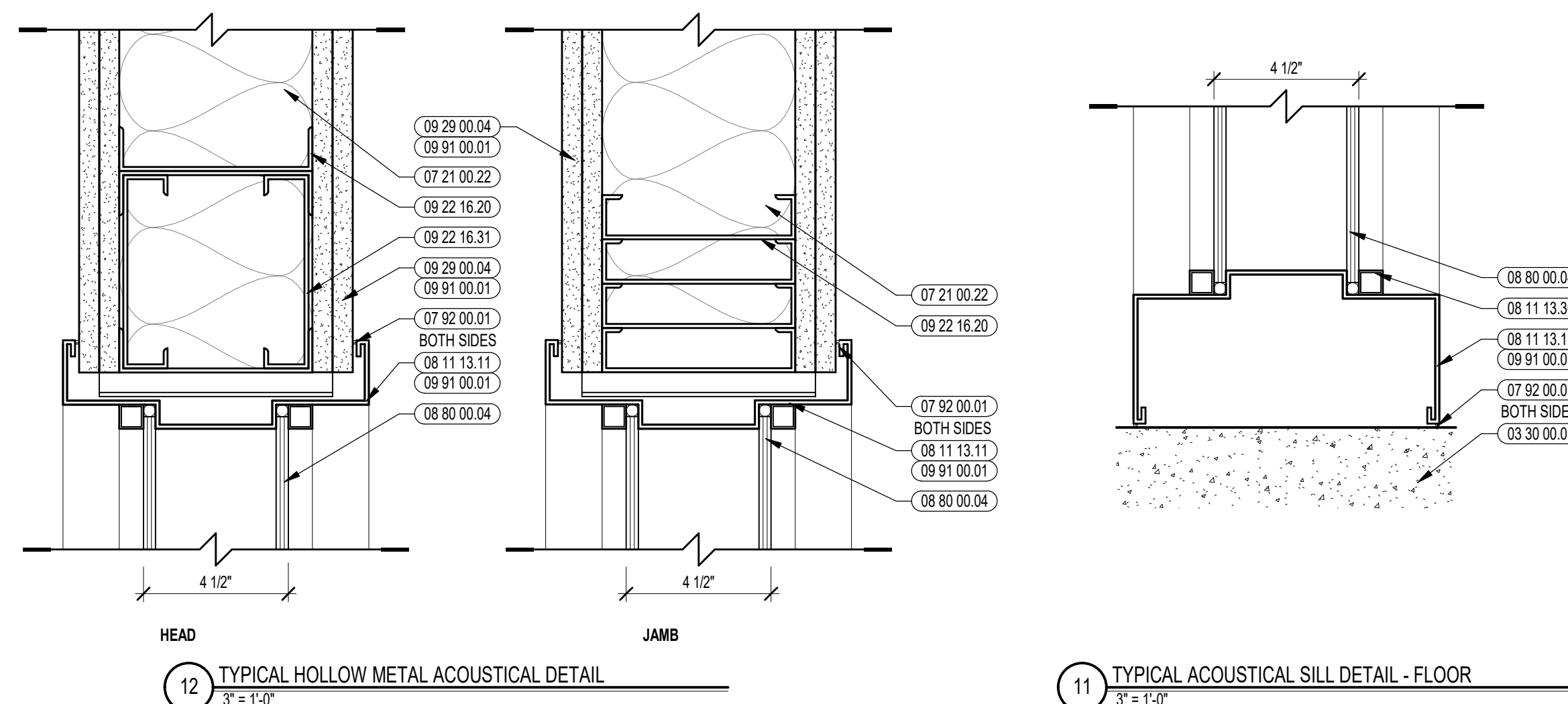
REVIEWED BY: CHR / KK

SCALE: AS INDICATED | DRAWING NUMBER:

JOB NO.: 2202.02

DATE: OCTOBER 13, 2023

A6.53





Copyright © 2023, A3 Architects, Inc.

KEYNOTE LEGEND:

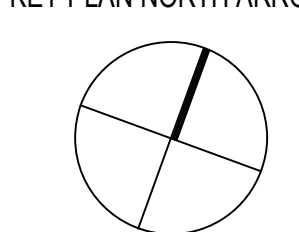
- 04 20 00.01 CMU BASE - GROUND FACE CMU - REFERENCE DETAILS FOR TYPE AND DEPTH
- 04 20 00.02 MASONRY MORTAR
- 04 20 00.03 TYPICAL MASONRY ANCHORITES - REFERENCE SPECIFICATION FOR SPACING
- 04 20 00.04 AIR SPACE - MAINTAIN CLEAR OF MORTAR
- 05 12 00.02 STEEL COLUMN - SEE STRUCTURAL
- 05 12 00.06 STEEL TUBE - SEE STRUCTURAL
- 05 31 00.11 STEEL ROOF DECK - 3 INCH GALVANIZED - SEE STRUCTURAL
- 05 40 00.02 STEEL STUDS - 2 1/2 INCH - 16 INCHES O.C. MAX
- 05 40 00.03 STEEL STUDS - 3 5/8 INCH - 16 INCHES O.C. MAX
- 05 40 00.06 STEEL STUDS - 8 INCH - 16 INCHES O.C. MAX
- 05 40 00.19 STEEL Z-CLIP - 16 GAGE MIN. - 1 INCH MIN. DEPTH - 16 INCHES O.C. MAX
- 05 50 00.51 STEEL ANGLE LINTEL - REFERENCE STRUCTURAL STEEL SCHEDULE
- 06 10 00.11 WOOD BLOCKING - (X) PRESSURE TREATED - SIZE AS NOTED OR DRAWN
- 06 10 00.21 WOOD BLOCKING - (Z) FIRE RETARDANT TREATED - SIZE AS NOTED OR DRAWN
- 06 10 00.43 PLYWOOD PRESSURE TREATED - 5/8 INCH
- 06 10 00.47 PLYWOOD FIRE RETARDANT TREATED - 3/4 INCH
- 06 16 00.01 GYPSUM EXTERIOR SHEATHING - 5/8 INCH
- 07 21 00.20 GLASS FIBER BLANKET INSULATION - MATCH DEPTH OF STUD - UNFACED
- 07 21 00.22 GLASS FIBER ACoustICAL BLANKET INSULATION - MATCH DEPTH OF STUD - UNFACED
- 07 21 00.50 MINERAL WOOL INSULATION - RIGID - EXTERIOR - 2 INCH
- 07 27 13.01 AIR/VAPOR BARRIER MEMBRANE - SELF-ADHERING
- 07 27 13.05 AIR/VAPOR BARRIER TRANSITION MEMBRANE - SELF-ADHERING
- 07 27 13.20 FLASHING - STAINLESS STEEL
- 07 46 46.01 MINERAL FIBER CEMENT PANEL - REFERENCE ELEVATIONS FOR COLOR
- 07 46 46.54 FLASHING
- 07 46 46.54 HORIZONTAL 2 TRIM
- 07 46 46.57 J MOLD TRIM
- 07 48 00.11 HORIZONTAL GRT - REFER TO SHOP DRAWINGS FOR SIZE
- 07 48 00.12 VERTICAL PANEL RAIL - REFER TO SHOP DRAWINGS FOR SIZE
- 07 48 00.16 VERTICAL TERMINATION GRT - REFER TO SHOP DRAWINGS FOR SIZE
- 07 48 00.22 STAINLESS STEEL SELF-DRILLING SCREW WITH THERMAL ISOLATION
- 07 54 19.01 PVC SINGLE PLY MEMBRANE ROOFING
- 07 54 19.02 HIGH DENSITY POLYSTYRENE RECOVERY BOARD
- 07 54 19.03 POLYSTYRENE INSULATION
- 07 54 19.09 SHEET VAPOR RETARDER - TAPE SEAMS
- 07 81 00.01 CEMENTITIOUS FIREPROOFING
- 07 92 00.01 JOINT SEALANT - TYPE AS REQUIRED
- 07 92 00.02 BACKER ROD AND SEALANT - TYPE AS REQUIRED
- 08 11 13.01 DOOR AND FRAME - SEE DOOR SCHEDULE

GENERAL NOTES:

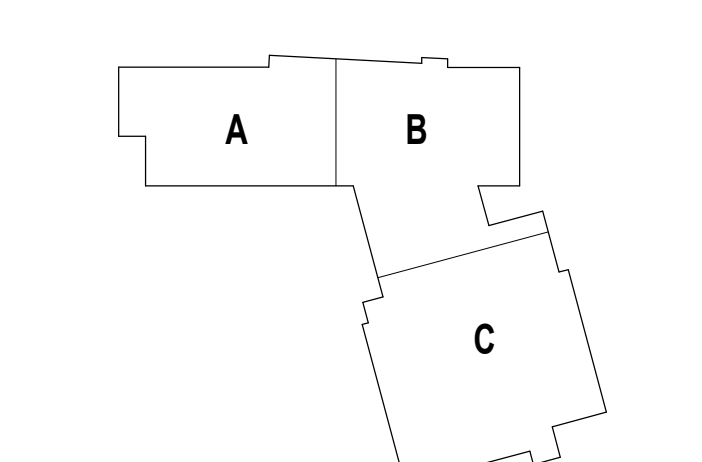
1. REFERENCE FLOOR PLANS, REFLECTED CEILING PLANS, AND INTERIOR ELEVATIONS FOR ADDITIONAL INFORMATION AND RELATED CONDITIONS.
2. REFER TO PARTITION TYPES ON A1.04 FOR TYPICAL WALL HEAD DETAILS AT FLOOR SLAB & ROOF DECK.

100% CONSTRUCTION DOCUMENTS

KEY PLAN NORTH ARROW



KEYPLAN



DRAWING NAME:

HOLLOW METAL FRAME DETAILS

DRAWN BY: MS / BFC

REVIEWED BY: CHR / KK

SCALE: AS INDICATED | DRAWING NUMBER:

JOB NO.: 2202.02

DATE: OCTOBER 13, 2023

A6.54

